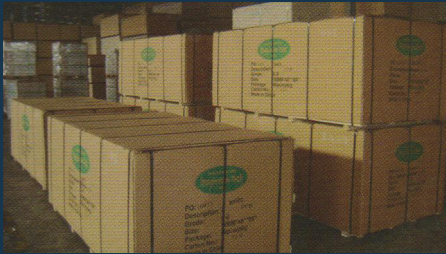


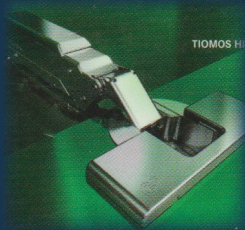
HARDWARE Imagination-Tech 1Source



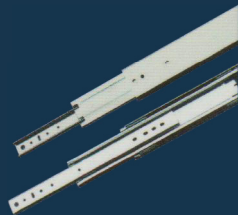
Plywood, Melamine



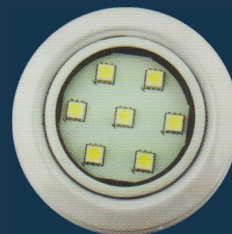
Kitchens



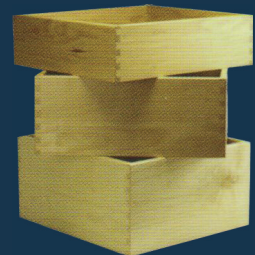
Hinge



Drawer Slide



LED Light



Dovetail Drawer Boxes



INDUSTRIAL WOOD FINISHES



WWW.HARDWAREIMAGINATION-TECH.COM

Our Catalog Collection

HARDWARE
Imagination-Tech
1 Source

GEMINI

INDUSTRIAL WOOD FINISHES

Wood Finishing Products Guide

Upon Request Other Sheens & Materials Available

Gemini

HARDWARE
Imagination-Tech
1 Source

Quality Plywood
at Affordable Prices

Plywood

HARDWARE
Imagination-Tech
1 Source

Quality Cabinetry
at Affordable Prices

www.hardwareimagination-tech.com

Cabinet

HARDWARE
Imagination-Tech
1 Source

G* GRASS

GRASS PRODUCTS -
OFFERED AT HIT.
HINGES, DRAWER SYSTEMS
AND LIFTER SYSTEMS

www.hardwareimagination-tech.com

Grass

Ask your Sales Rep for your copy

Table of Contents

Section 1; Hinges

Section 2; Drawer Slides

Section 3; Pulls and Knobs

Section 4; Locks, Catches, Shelf Hardware

Section 5; Lights

Section 6; Closet and Furniture Hardware

Section 7; Grommets

Section 8; Kitchen Accessories

**Section 9; Tafisa Melamine with matching HPL and edge banding, Veneer,
Veneer edging, Jowat Adhesives, Wilsonart Laminate**

Section 10; Shop Supplies



**Your #1 Source
For All Your Woodworking Supplies**

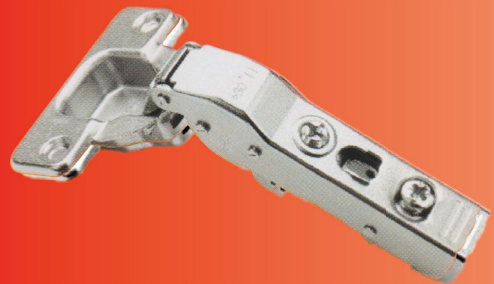
SOFT CLOSE HINGES



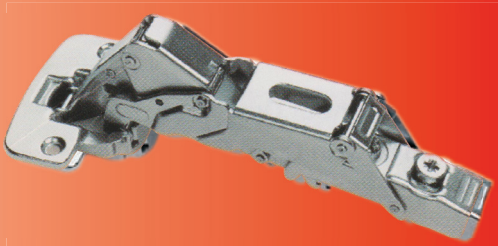
110° Soft Close Snap-On Hinge



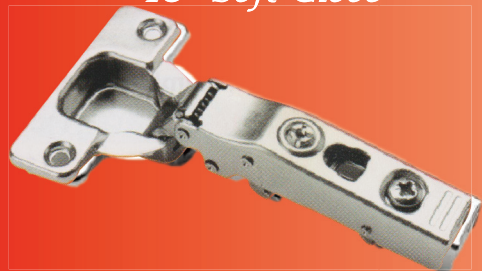
90° Soft Close



45° Soft Close



155° Soft Close



Full Overlay Soft Close



Inset Soft Close



Half Overlay Soft Close

SOFT CLOSE HINGES

**CAM ADJUSTABLE
HINGE ARM**

Economy Soft Close

- 110° Soft Close Snap-On Hinge**
- Snap-On Hinge
 - Soft Close Cylinder Inside Hinge Arm
 - 35mm Cup
 - 45mm Drilling Pattern
 - All Steel Construction
 - *Satisfaction Guaranteed*



Item Number	Description
14-400	110° Soft Close Snap-on Hinge without Dowels
14-402	110° Soft Close Snap-on Hinge with Dowels

Hinges

Drawer Slides

Pulls and Knobs

Locks, Catches, Shelf Hardware

Lights

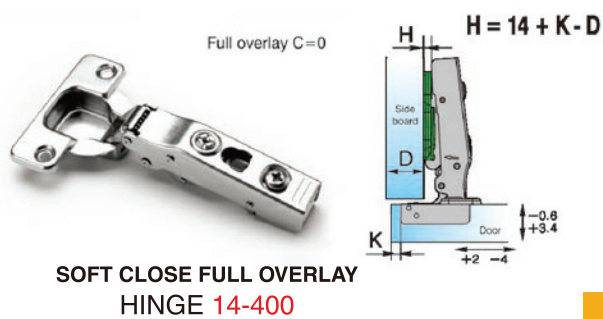
Closet and Furniture Hardware

Grommets

Kitchen Accessories

Melamine

Shop Supplies



SOFT CLOSE FULL OVERLAY HINGE 14-400



ADJUSTABLE 2 PIECE PLATE	FACE FRAME PLATE	1 PIECE PLATE
0mm PLATE WITHOUT SCREWS 14-216	1mm PLATE WITH OUT SCREWS 14-224	0mm PLATE WITHOUT SCREWS 14-228
2mm PLATE WITHOUT SCREWS 14-218	3mm PLATE WITH OUT SCREWS 14-226	2mm PLATE WITHOUT SCREWS 14-230
0mm PLATE WITH EURO SCREWS 14-220		
2mm PLATE WITH EURO SCREWS 14-222		

SOFT CLOSE HINGES

Soft Close

Hinges

110° Soft Close Snap-On Hinge

- Snap-On Hinge
- Soft Close Cylinder Inside Hinge Arm
- 35mm Cup
- 45mm Drilling Pattern
- All Steel Construction
- *Satisfaction Guaranteed*



Drawer Slides

Pulls and Knobs

Locks, Catches, Shelf Hardware



Lights

Closet and Furniture Hardware

Grommets

ADJUSTABLE 2 PIECE PLATE

0mm PLATE WITHOUT SCREWS
14-216

2mm PLATE WITHOUT SCREWS
14-218

0mm PLATE WITH EURO SCREWS
14-220

2mm PLATE WITH EURO SCREWS
14-222

FACE FRAME PLATE

1mm PLATE WITH OUT SCREWS
14-224

3mm PLATE WITH OUT SCREWS
14-226

1 PIECE PLATE

0mm PLATE WITHOUT SCREWS
14-228

2mm PLATE WITHOUT SCREWS
14-230

CAM ADJUSTABLE HINGE ARM

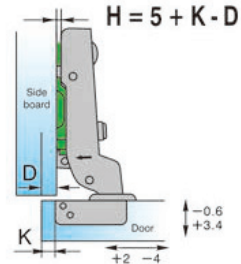
Kitchen Accessories

HALF OVERLAY

HINGE 14-304



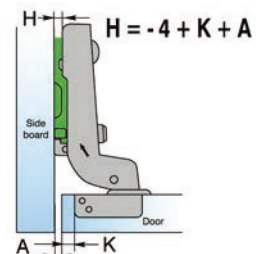
9
Half overlay C=9



Melamine

INSET OVERLAY

HINGE 14-405



Shop Supplies

SOFT CLOSE HINGES

**CAM ADJUSTABLE
HINGE ARM**

Speciality Soft Close

- 45° & 90° Soft Close Snap-On Hinge Set
- Snap-On Hinge
 - Soft Close Cylinder Inside Hinge Arm
 - 35mm Cup
 - 45mm Drilling Pattern
 - No Dowels
 - *Satisfaction Guaranteed*

Hinges

Drawer Slides

Pulls and Knobs

Locks, Catches, Shelf Hardware

Lights

Closet and Furniture Hardware

Grommets

Kitchen Accessories

Melamine

Shop Supplies

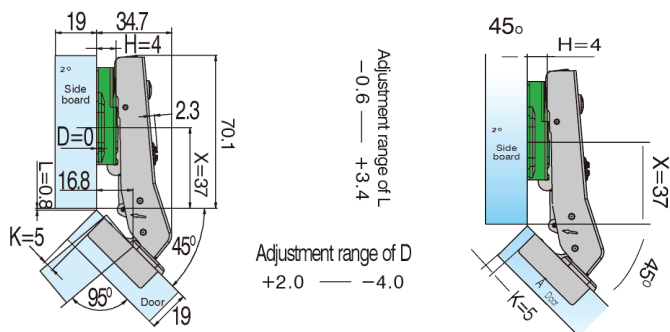


FACE FRAME PLATE	1 PIECE PLATE	ADJUSTABLE 2 PIECE PLATE
1mm PLATE WITHOUT SCREWS 14-224	0mm PLATE WITHOUT SCREWS 14-228	0mm PLATE WITHOUT SCREWS 14-216
3mm PLATE WITHOUT SCREWS 14-226	2mm PLATE WITHOUT SCREWS 14-230	2mm PLATE WITHOUT SCREWS 14-218
		0mm PLATE WITH EURO SCREWS 14-220
		2mm PLATE WITH EURO SCREWS 14-222

45° FULL OVERLAY

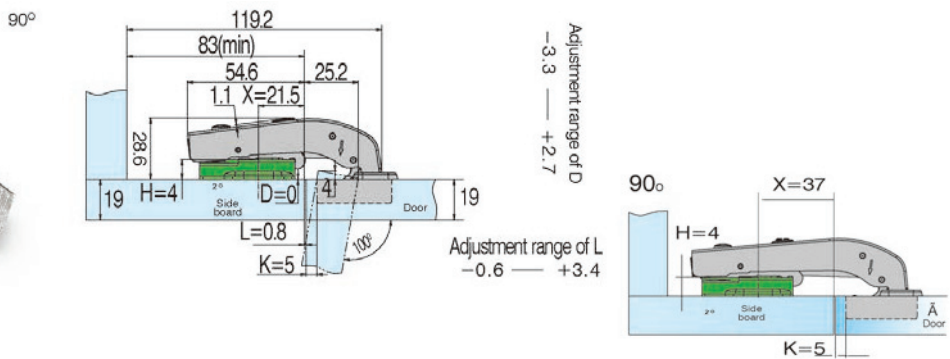


Item Number 14-404



90° FULL OVERLAY

Item Number 14-406



SOFT CLOSE HINGES

Speciality Soft Close

Hinges

- 155° Soft Close Snap-On Hinge**
- Snap-On Hinge
 - Soft Close Cylinder Inside Hinge Arm
 - 35mm Cup
 - 45mm Drilling Pattern
 - No Dowels
 - *Satisfaction Guaranteed*

Drawer Slides

Pulls and Knobs

Locks, Catches, Shelf Hardware

Lights

Closet and Furniture Hardware

Grommets

Kitchen Accessories

Melamine

Shop Supplies



**CAM ADJUSTABLE
HINGE ARM**

FACE FRAME PLATE

1 PIECE PLATE

ADJUSTABLE
2 PIECE PLATE

1mm PLATE
WITH OUT SCREWS
14-224

0mm PLATE
WITHOUT SCREWS
14-228

0mm PLATE
WITHOUT SCREWS
14-216

3mm PLATE
WITH OUT SCREWS
14-226

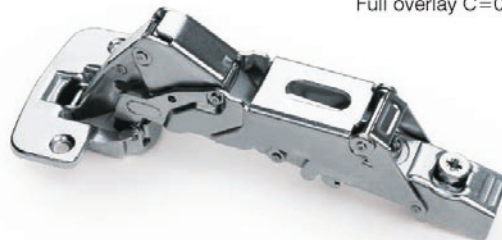
2mm PLATE
WITHOUT SCREWS
14-230

2mm PLATE
WITHOUT SCREWS
14-218

0mm PLATE
WITH EURO SCREWS
14-220

2mm PLATE
WITH EURO SCREWS
14-222

Full overlay C=0

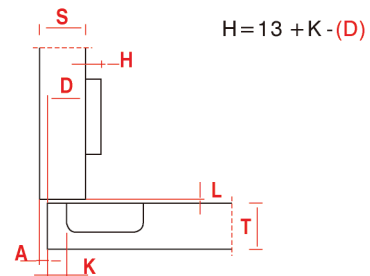
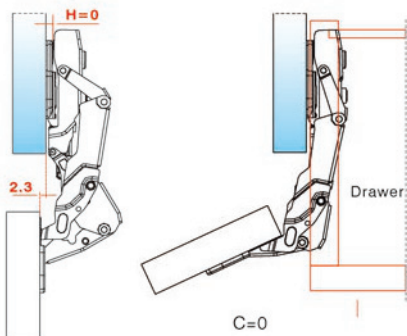


FULL OVERLAY

Item Number 14-408

H=0
90° 2.3mm,

The door combined with a mounting plate H=0 opens at 90° with a 2.3mm protrusion allowing inner drawers to be pulled out from inside of the cabinet.



SNAP-ON HINGES



Snap on Hinge

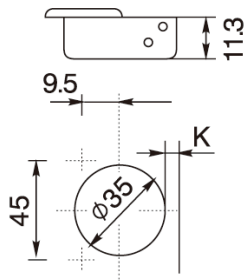
- Self Closing
- 35mm Cup
- 45mm Boring Pattern
- All Steel Construction

Hinges



Drawer Slides

Pulls and Knobs



1 PIECE PLATE
0mm PLATE WITHOUT SCREWS 14-200
2mm PLATE WITHOUT SCREWS 14-202
0mm PLATE WITH EURO SCREWS 14-205
2mm PLATE WITH EURO SCREWS 14-207

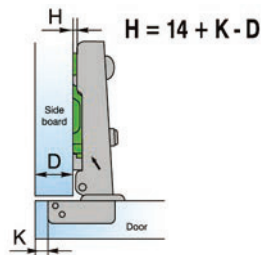
FACE FRAME
0mm PLATE FOR 5/8" OVERLAY 14-212
4mm PLATE FOR 1/2" OVERLAY 14-214

2 PIECE PLATE
0mm PLATE WITHOUT SCREWS 14-204
2mm PLATE WITHOUT SCREWS 14-206
0mm PLATE WITH EURO SCREWS 14-209
2mm PLATE WITH EURO SCREWS 14-211

Locks, Catches, Shelf Hardware

Lights

Closet and Furniture Hardware

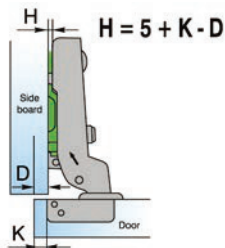


FULL OVERLAY
HINGE 14-100

FULL OVERLAY
HINGE WITH DOWELS
14-102

Grommets

Kitchen Accessories



HALF OVERLAY
HINGE 14-104

HALF OVERLAY
HINGE WITH DOWELS
14-106

Melamine

Shop Supplies

SNAP-ON HINGES

30°, 45° & 90° Snap-On Hinge

Hinges

- Self Closing
- 35mm Cup
- 45mm Boring Pattern
- All Steel Construction

Drawer Slides



30° FULL OVERLAY

HINGE WITH DOWELS
14-130

Pulls and Knobs

Locks, Catches, Shelf Hardware



45° FULL OVERLAY

HINGE WITH DOWELS
14-132

Lights

Closet and Furniture Hardware



90° FULL OVERLAY

HINGE WITH DOWELS
14-134

Grommets



1 PIECE PLATE

0mm PLATE WITHOUT SCREWS
14-200

2mm PLATE WITHOUT SCREWS
14-202

0mm PLATE WITH EURO SCREWS
14-205

2mm PLATE WITH EURO SCREWS
14-207

Kitchen Accessories

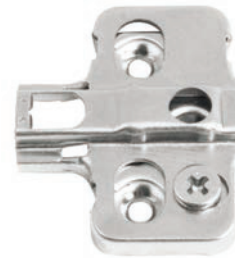


FACE FRAME

0mm PLATE FOR 5/8" OVERLAY
14-212

4mm PLATE FOR 1/2" OVERLAY
14-214

Melamine



2 PIECE PLATE

0mm PLATE WITHOUT SCREWS
14-204

2mm PLATE WITHOUT SCREWS
14-206

0mm PLATE WITH EURO SCREWS
14-209

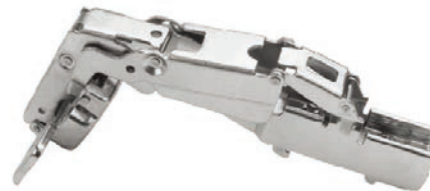
2mm PLATE WITH EURO SCREWS
14-211

Shop Supplies

SNAP-ON HINGES

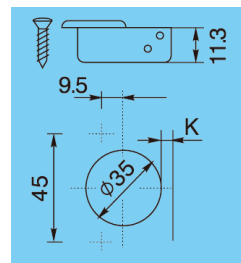
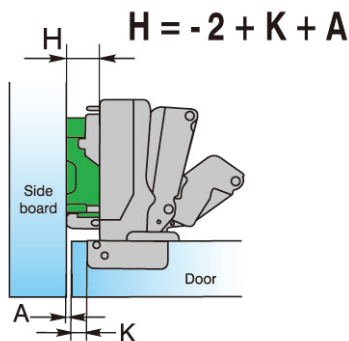
165° Snap-On Hinge

- Self Closing
- 35mm Cup
- 45mm Boring Pattern
- All Steel Construction
- Clip-On Hinge

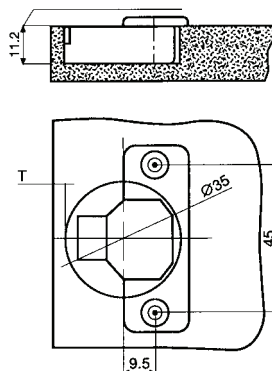


Inset C=15

Order Number	Description
14-139	165° Snap-on Hinge with Dowels



DRILLING DISTANCE



1 PIECE PLATE
0mm PLATE WITHOUT SCREWS 14-200
2mm PLATE WITHOUT SCREWS 14-202
0mm PLATE WITH EURO SCREWS 14-205
2mm PLATE WITH EURO SCREWS 14-207



FACE FRAME
0mm PLATE FOR 5/8" OVERLAY 14-212
4mm PLATE FOR 1/2" OVERLAY 14-214



2 PIECE PLATE
0mm PLATE WITHOUT SCREWS 14-204
2mm PLATE WITHOUT SCREWS 14-206
0mm PLATE WITH EURO SCREWS 14-209
2mm PLATE WITH EURO SCREWS 14-211

Hinges

Drawer Slides

Pulls and Knobs

Locks, Catches, Shelf Hardware

Lights

Closet and Furniture Hardware

Grommets

Kitchen Accessories

Melamine

Shop Supplies

SNAP-ON HINGES

Pie Cut Free Swing Snap-On Hinge

Hinges

- Self Closing
- 35mm Cup
- 45mm Boring Pattern
- All Steel Construction

Drawer Slides

Pulls and Knobs

Locks, Catches, Shelf Hardware

Lights

Closet and Furniture Hardware

Grommets

Kitchen Accessories

Melamine

Shop Supplies

**PIE CUT FREE SWING
HINGE WITH DOWELS**
14-138



1 PIECE PLATE

**0mm PLATE
WITHOUT SCREWS**
14-200

**2mm PLATE
WITHOUT SCREWS**
14-202

**0mm PLATE
WITH EURO SCREWS**
14-205

**2mm PLATE
WITH EURO SCREWS**
14-207



FACE FRAME

**0mm PLATE FOR
5/8" OVERLAY**
14-212

**4mm PLATE FOR
1/2" OVERLAY**
14-214



2 PIECE PLATE

**0mm PLATE
WITHOUT SCREWS**
14-204

**2mm PLATE
WITHOUT SCREWS**
14-206

**0mm PLATE
WITH EURO SCREWS**
14-209

**2mm PLATE
WITH EURO SCREWS**
14-211

SNAP-ON HINGES



Ecopress

Drilling and insertion machine for 45mm boring pattern

Description

- Bore depth automatically adjusts to material thickness
- Functional design
- Accurate fence is easily adjusted
- Chip removal by air on pneumatic machines
- Easy, fast and efficient operation
- Easy maintenance
- 45 mm boring pattern

Order Number11-101



Pneumatic control
Pneumatic feed and pneumatic hold-down device.



Hold-down block
Optimum fixing on the Ecopress
Pneumatic with the pneumatic hold-down device.



Scale bar
Graduated scale for exact measurement on the machine.

Hinges

Drawer Slides

Pulls and Knobs

Locks, Catches, Shelf Hardware

Lights

Closet and Furniture Hardware

Grommets

Kitchen Accessories

Melamine

Shop Supplies

SPECIALTY HINGES

6-Way Adjustable Face Frame Hinge

Hinges

Drawer Slides

Pulls and Knobs

Locks, Catches, Shelf Hardware

Lights

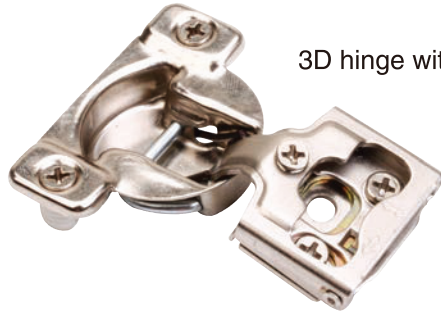
Closet and Furniture Hardware

Grommets

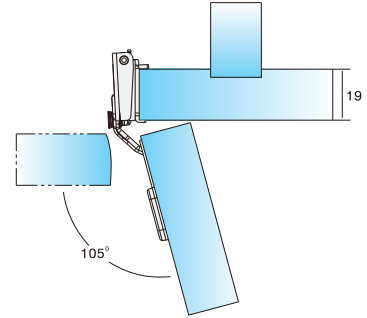
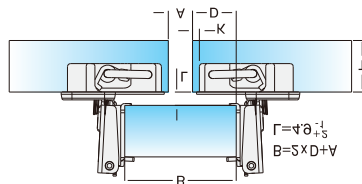
Kitchen Accessories

Melamine

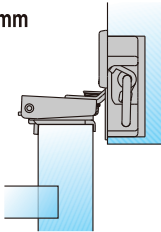
Shop Supplies



3D hinge with cam adjustment



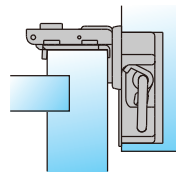
6 mm



1/4" Overlay

screw-on w/dowel
14-114 14-116

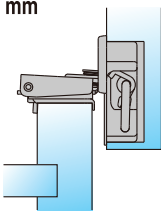
31.4 mm



1 1/4" Overlay

screw-on w/dowel
14-150 14-152

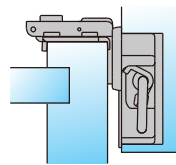
13 mm



1/2" Overlay

screw-on w/dowel
14-112 14-110

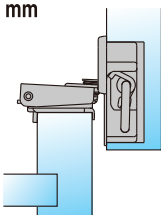
34.9 mm



1 3/8" Overlay

screw-on w/dowel
14-158 14-160

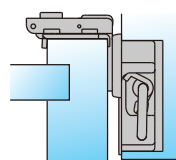
16 mm



5/8" Overlay

screw-on w/dowel
14-117 14-118

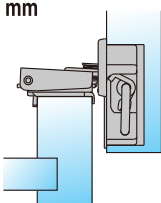
38.4 mm



1 1/2" Overlay

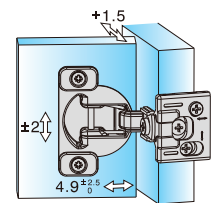
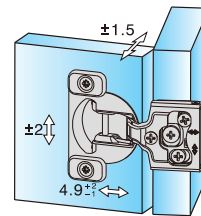
screw-on w/dowel
14-162 14-164

19 mm



3/4" Overlay

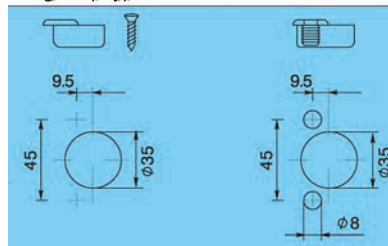
screw-on w/dowel
14-154 14-156



∅ 35mm
Face Frame Hinge

Opening angle : 105°
Depth of hinge cup : 10.5 mm
Diameter of hinge cup : 35 mm
Drilling distance on the door(K) : 2.5 mm

Hinge cup types



SPECIALTY HINGES

Exacta Pro Soft Close Face Frame Hinge

Our new Exacta Pro Series offers you quality manufacturing, strength and durability. Innovative damping technologies with 2 levels of damping force. Quality you can feel with standards that far exceeds all KCMA standards.

Product Details:

- 105° Opening
- 11mm cup depth
- Partial and Full Overlays
- 3 Cam 6 Way Adjustable
- Soft Close damper integrated into the hinge cup



Full overlay

Available in:

- 14-180** - 1/2" Overlay Soft Close 6 Way Adjustable FF Hinge
- 14-182** - 3/4" Overlay Soft Close 6 Way Adjustable FF Hinge
- 14-184** - 1/2" Overlay Soft Close 6 Way Adjustable FF Hinge w/Dowels
- 14-186** - 3/4" Overlay Soft Close 6 Way Adjustable FF Hinge w/Dowels
- 14-188** - 1-1/4" Overlay Soft Close 6 Way Adjustable FF Hinge w/Dowels

Hinges

Drawer Slides

Pulls and Knobs

Locks, Catches, Shelf Hardware

Lights

Closet and Furniture Hardware

Grommets

Kitchen Accessories

Melamine

Shop Supplies

SPECIALTY HINGES



304B Stainless Steel Concealed Hinges

Hinges

Description:

- Material: 304B Stainless Steel
- Finish: Polished
- 100° Opening
- Cup dia Ø 35 / Bore depth 11 mm
- Door thickness 15-20 mm

Drawer Slides

Pulls and Knobs

19 mm Overlay

Locks, Catches, Shelf Hardware

- Self-closing Overlay.....55-300
- Free-swinging Overlay.....55-304



Lights

14 mm Overlay

Closet and Furniture Hardware

- Self-closing Overlay.....55-308
- Free-swinging Overlay.....55-310



Grommets

9 mm Overlay

Kitchen Accessories

- Self-closing Overlay.....55-314
- Free-swinging Overlay.....55-316



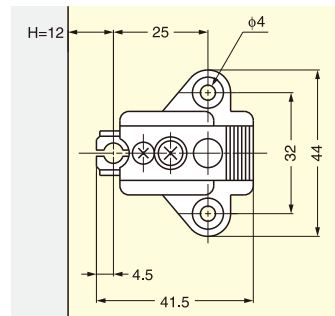
Melamine

Mounting Plate

Shop Supplies



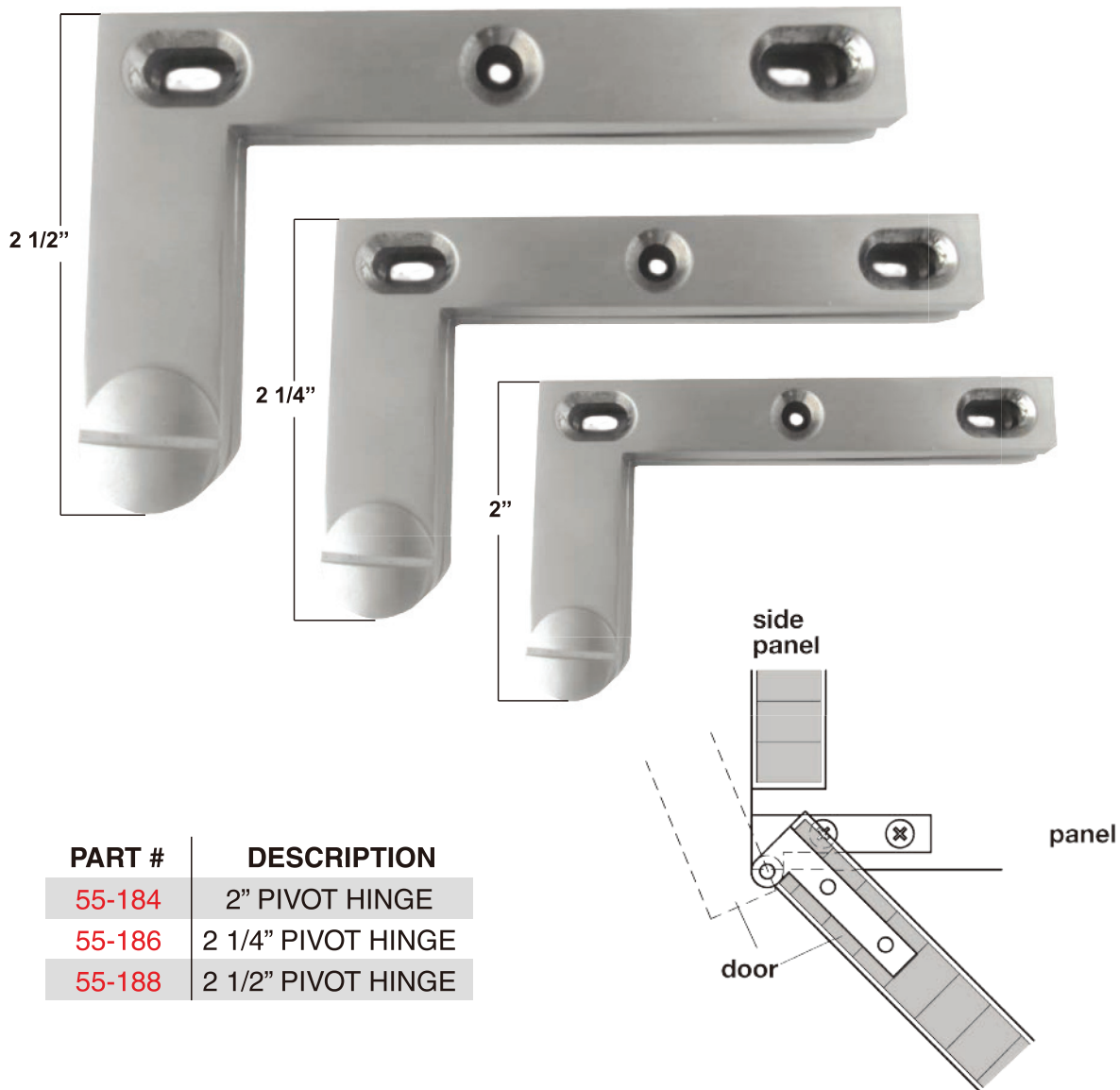
- Mounting Plate.....55-312
- 3 Way Adjustable Plate.....55-318



SPECIALTY HINGES

Pivot Hinges

- Screw-Mounted
- Max. Door Opening Angle 250°
- Without Stop
- With Outer Knuckle
- Fitted Above Doors
- Creates A Concealed Look
- Installed On Top Or Bottom Edge Of Door.
- Pivot Sets Are Equipped With A Heavy-Weight Anti-Friction Bearing Assemble.



PART #	DESCRIPTION
55-184	2" PIVOT HINGE
55-186	2 1/4" PIVOT HINGE
55-188	2 1/2" PIVOT HINGE

Hinges

Drawer Slides

Pulls and Knobs

Locks, Catches, Shelf Hardware

Lights

Closet and Furniture Hardware

Grommets

Kitchen Accessories

Melamine

Shop Supplies

SPECIALTY HINGES

Pivot Hinges

Hinges

- Screw-Mounted
- Max. Door Opening Angle 250°
- Without Stop
- With Outer Knuckle
- Fitted Above Doors
- Creates A Concealed Look
- Installed On Top Or Bottom Edge Of Door.
- Pivot Sets Are Equipped With A Heavy-Weight Anti-Friction Bearing Assemble.

Drawer Slides

Pulls and Knobs

Locks, Catches, Shelf Hardware

Lights

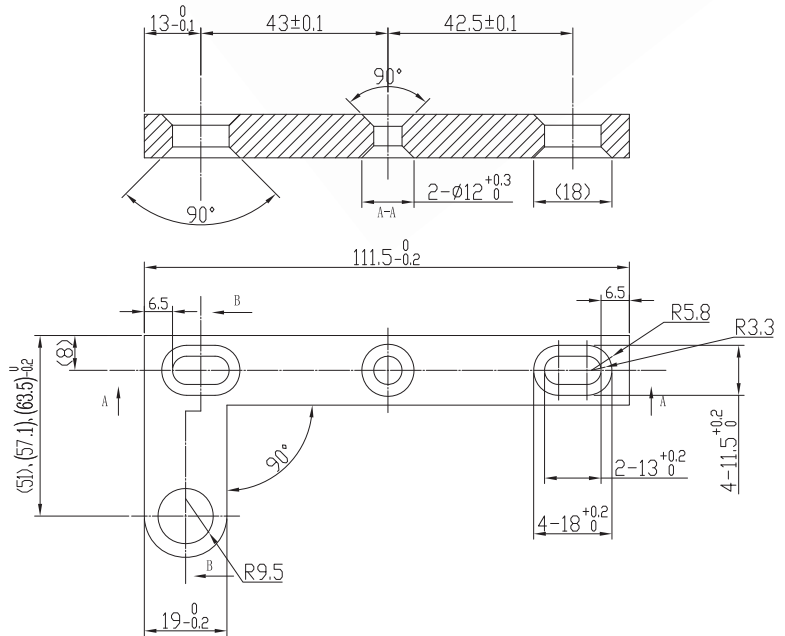
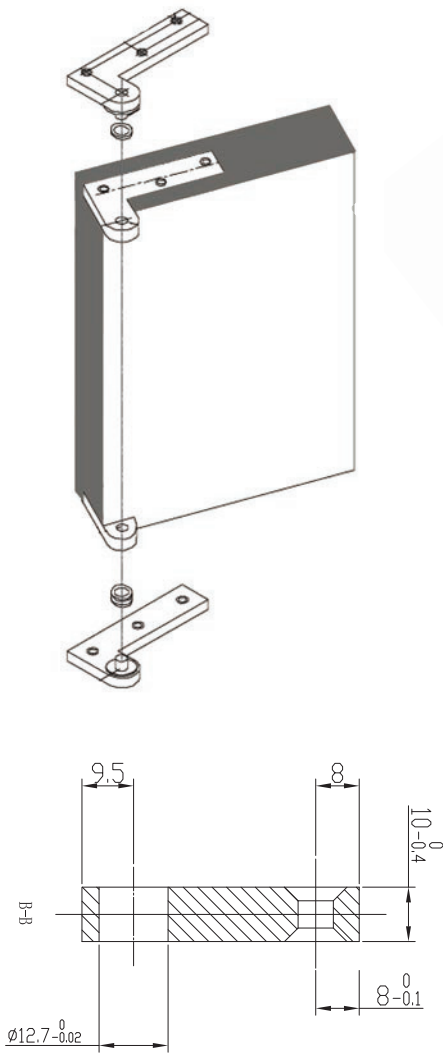
Closet and Furniture Hardware

Grommets

Kitchen Accessories

Melamine

Shop Supplies

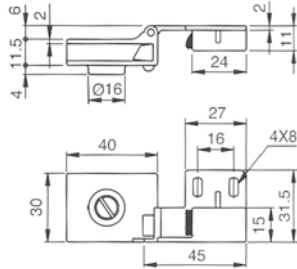
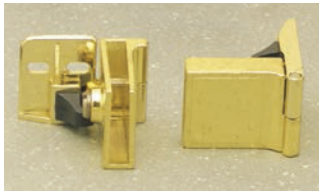


SPECIALTY HINGES

Glsss Door Hinges & Catch Plates

Hinges

Non-bore "TECH" Glass Door Hinge



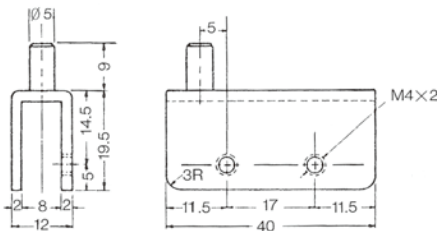
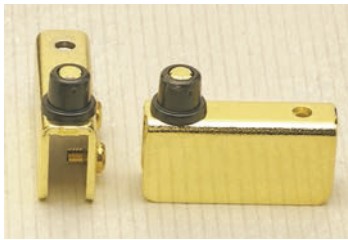
- Removable Lock Catch
- Fits 3/16" or 1/4" Glass
- Opening Angle 170°
- Height Adjustable
- Easy Installation
- Econcmical

Inset Brass 13-270
Inset Chrome 13-272
Overlay Brass 13-274
Overlay Chrome 13-276

Drawer Slides

Pulls and Knobs

Non-bore Glass Door Simplex Inlay Hinge



- Fits 3/16" or 1/4" Glass
- Application: Inset door
- Sold per Pair

Polished Brass 13-108
Polished Chrome 13-106

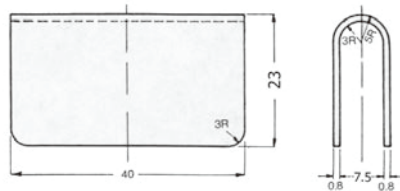
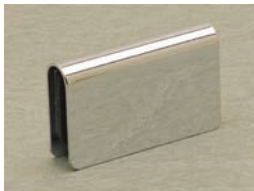
Locks, Catches, Shelf Hardware

Lights

Closet and Furniture Hardware

Non-bore Catch Plates

Slip-on Plate



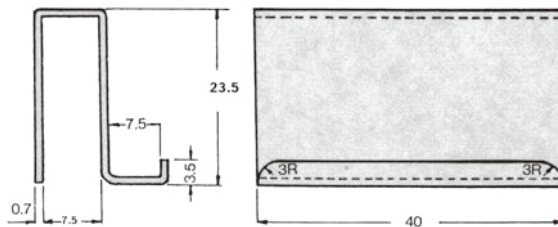
- Fits 3/16" or 1/4" Glass
- Adhesive cushion included
- Use with magnetic touch latch
- Sold per piece

Polished Brass 13-178
Polished Chrome 13-180

Grommets

Kitchen Accessories

Slip-on Plate with Pull



- Fits 3/16" or 1/4" Glass
- Adhesive cushion included
- Use with magnetic touch latch
- Sold per piece

Polished Brass 13-110
Polished Chrome 13-112

Melamine

Shop Supplies

SPECIALTY HINGES

Flap Hinge

Suitable for flaps of max. 20 mm (3/4") thickness

Hinges

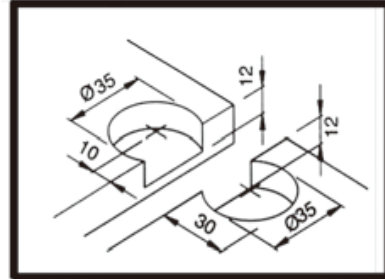
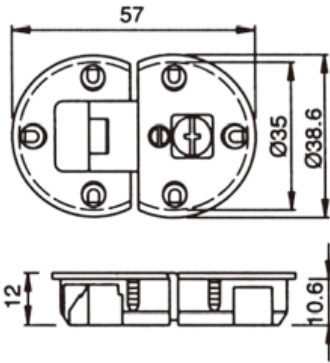
Drawer Slides

Pulls and Knobs

Locks, Catches, Shelf Hardware

Lights

Closet and Furniture Hardware



- Three-way adjustable
- Angle of opening: 90°
- Diameter of both parts: 35 mm
- Depth of both parts: 12 mm

Nickel Plated.....15-134



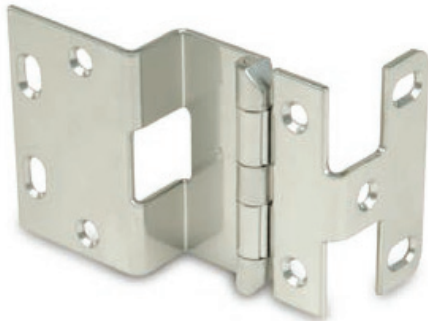
Cabinet Hinges

Grommets

Kitchen Accessories

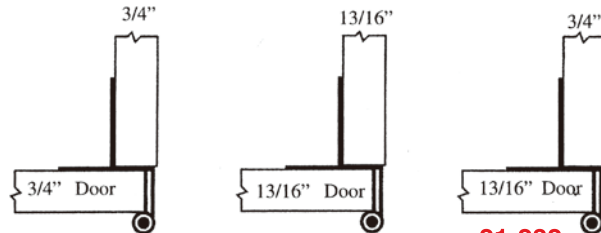
Melamine

Shop Supplies



RPC Institutional Hinge

- 2-3/4" Five knuckle hinge .095 steel
- Designed for 32 mm hole system
- Hospital tips available
- Minartet tips only for 21-238
- Sold: each



21-238
Chrome

21-240
Chrome

21-232
Chrome
21-234
Black
21-236
Powder coat
chrome

SPECIALTY HINGES

Miscellaneous Hinges

Hinges

Stainless Steel Pivot Hinge

Door thickness
22 mm (7/8")

SUG SUGATSUNE

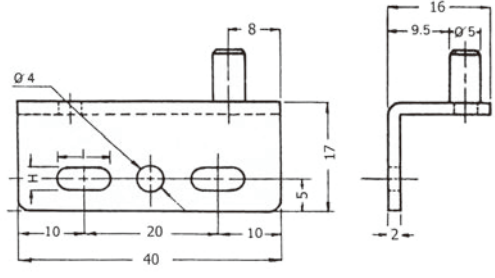
Order number.....**55-180**

Drawer Slides

Pulls and Knobs

Locks, Catches, Shelf Hardware

Pivot Hinge for Inset Doors



- Concealed: Not visible from outside of cabinet
- Economical hinge for inset doors
- For doors up to 1" thick
- Easy mounting
- Horizontal 4 mm adjustment

Includes: 1 Upper Hinge • 2 Bushings
1 Lower Hinge • 4 Mounting Screws

Order number.....**21-260**

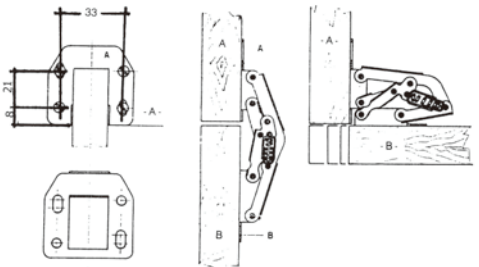
Lights

Closet and Furniture Hardware

Grommets

Kitchen Accessories

Easy-on Hinge



- For overlay doors
- Bright nickel finish
- Self-closing 90° opening angle
- Sold without screws

Order number.....**21-138**

Melamine

Shop Supplies

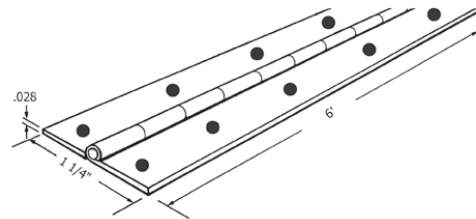
SPECIALTY HINGES

Miscellaneous Hinges

Hinges

Piano Hinges

	ORDER NO.	OPEN WIDTH	SCREWS INCLUDED	FINISH	MATERIAL	GAUGE
Drawer Slides	21-102	1-1/4"	NO	NICKEL	STEEL	.028
	21-104	1-1/2"	NO	NICKEL	STEEL	.032
	21-106	2"	NO	NICKEL	STEEL	.045
	21-108	1-1/4"	NO	BRASS	STEEL	.028
Pulls and Knobs	21-110	1-1/2"	NO	BRASS	STEEL	.032
	21-112	2"	NO	BRASS	STEEL	.045
	21-126	1-1/16"	NO	BRITE STL	STNLS	.042
	21-128	1-1/2"	NO	BRITE STL	STNLS	.042
	21-130	2"	NO	BRITE STL	STNLS	.042
Locks, Catches, Shelf Hardware						



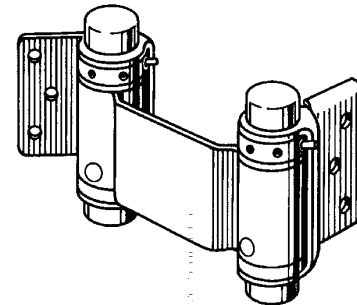
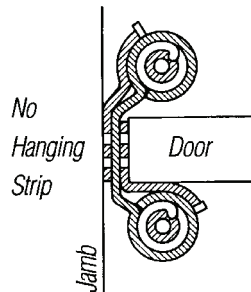
All lengths stocked 72" long with 2" hole centers

Lights

4" 2-Way Swing Hinge

Closet and Furniture Hardware

Double action spring hinges give closing action from either direction. Energy is stored in the spring as the door is opened, and closes the door after it is released. Spring tension is adjustable at any time.



Grommets

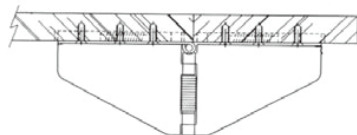
Sprayed Brass.....21-182
Zinc Plated.....21-184

Door thickness 3/4" to 1-1/4"

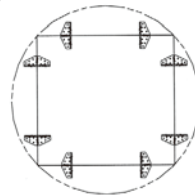
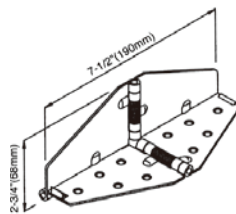
Kitchen Accessories

Heavy Duty Table Flap Hinge

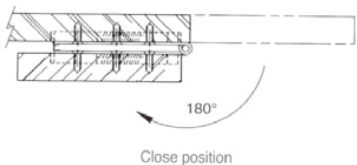
Melamine



Open position (levelling)



Shop Supplies



Close position 180°

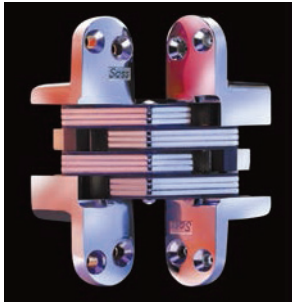
Order number.....43-730

- Convert square tables to round or add length to any table
- .098 Gauge
- Sold individually with screws
- Yellow Zinc finish

SPECIALTY HINGES

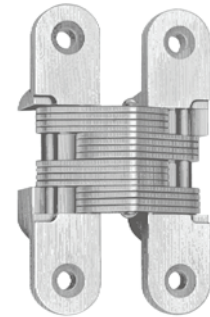
Miscellaneous Hinges

SOSS® Invisible Hinges



BRASS PLATED INVISIBLE HINGE

ORDER NO.	MIN. WOOD THICKNESS	PLATE WIDTH	PLATE LENGTH
21-170	3/4"	1/2"	2-3/8"
21-171	1"	5/8"	2-3/4"
21-172	1-1/8"	3/4"	3-3/4"
21-174	1-3/4"	1-1/8"	4-5/8"
21-176	1-3/8"	1"	4-5/8"
21-178	2"	1-3/8"	5-1/2"



SATIN CHROME INVISIBLE HINGE

ORDER NO.	MIN. WOOD THICKNESS	PLATE WIDTH	PLATE LENGTH
21-168	3/4"	1/2"	2-3/8"
21-175	1-3/4"	1-1/8"	4-5/8"
21-177	1-3/8"	1"	4-5/8"

Hinges

Drawer Slides

Pulls and Knobs

Locks, Catches, Shelf Hardware

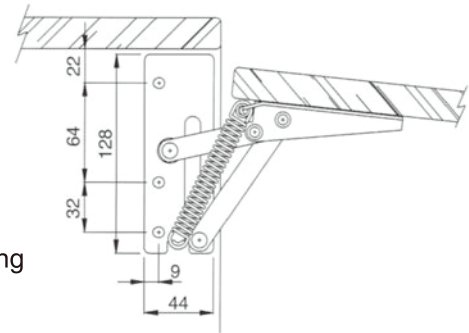
Adjustable Swing-out Fitting



The swing-up fitting works both as a hinge and a flap stay. Two adjustable springs keep the door open or closed.

- Ideal for overhead storage cabinet
- 75° Opening
- 1 Pair = 1 right and 1 left spring fitting
- Material: steel

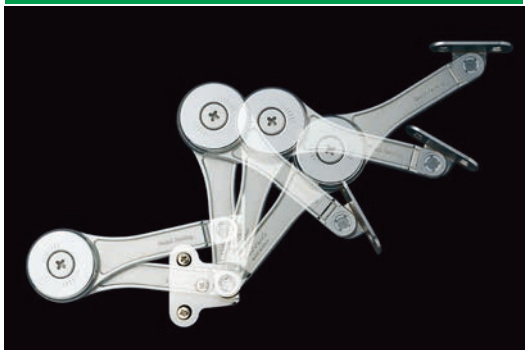
1 Pair - White.....15-170



Lights

Closet and Furniture Hardware

Lift-up Hinge

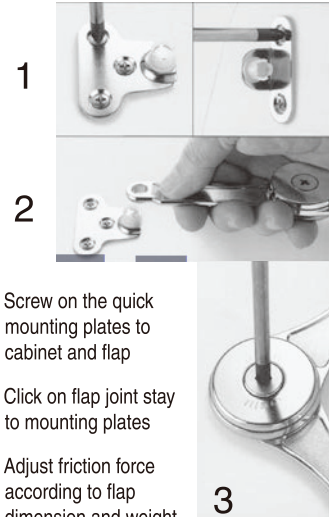


Description

- High strength and LOAD capacity
- Precision mechanism to ensure light and smooth action
- Smooth opening – Flap held at any angle
- Can be mounted also on aluminium frame flap doors
- Totally unaffected by moisture

By simply regulating the position of the two mounting plates the flap opening can be adjusted from 75° to 105° or more

Order number
15-180



1. Screw on the quick mounting plates to cabinet and flap
2. Click on flap joint stay to mounting plates
3. Adjust friction force according to flap dimension and weight

Grommets

Kitchen Accessories

Melamine

Shop Supplies

Most of the merchandise in this catalog is available in all Hardware Imagination-Tech locations. If your selection isn't available at the store nearest you, we'll gladly order it from one of the other stores or through special order.

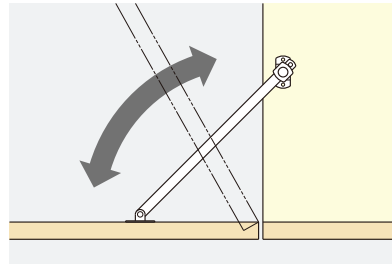
LID STAYS

Lid Stays



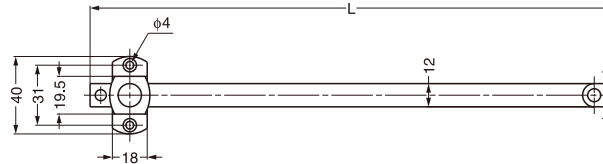
Hinges

Order number.....**55-172**

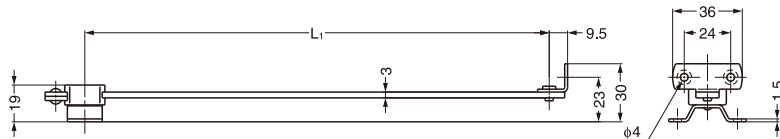


Drawer Slides

- Material: 304 Stainless Steel
Polyamide
- Finish: Satin
- Left or right hand installation
- Screws not included



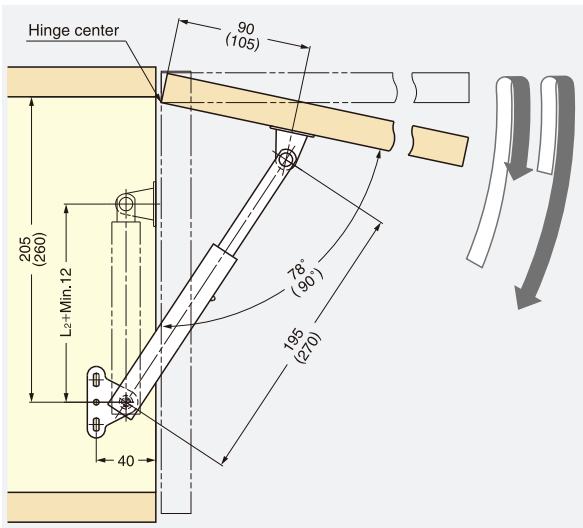
Pulls and Knobs



Locks, Catches, Shelf Hardware

Order number.....**55-172**

Lights



Closet and Furniture Hardware

Order number.....**55-174**

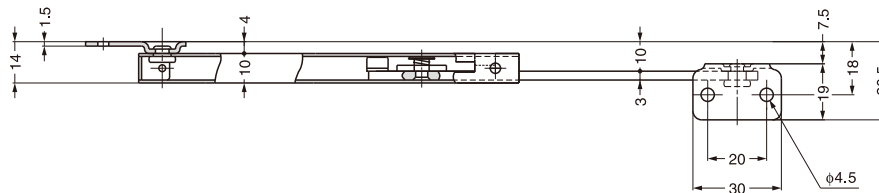


Order number.....**55-176**

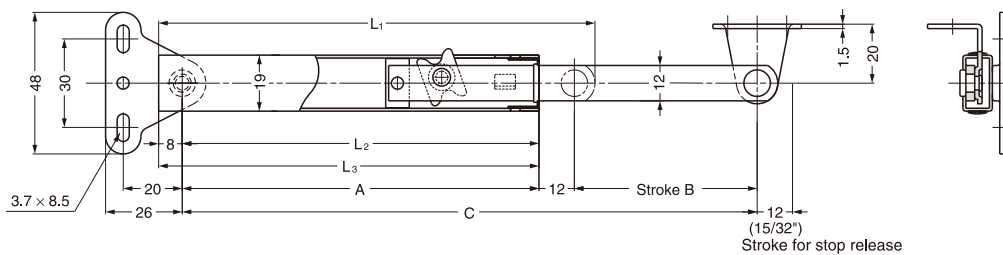
Grommets

- Positive stop to keep flap open
- Left or right hand installation
- Material: 304 Stainless Steel
- Finish: Satin
- LOAD capacity: 15kg/ea (33 lbs.)
- Screws not included

Kitchen Accessories



Melamine



Shop Supplies



LID STAYS

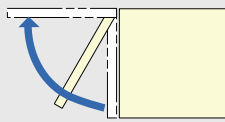
Easy Lift-Up Stay

SLS-ELAN

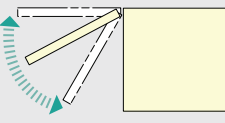


3 functions on 1 stay

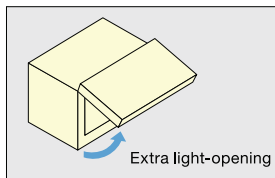
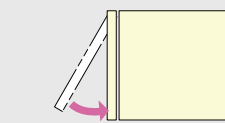
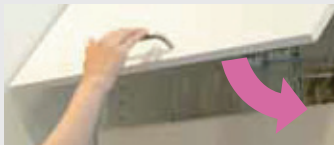
1. Lift-assist



2. Free stop



3. Soft-close



Extra light-opening

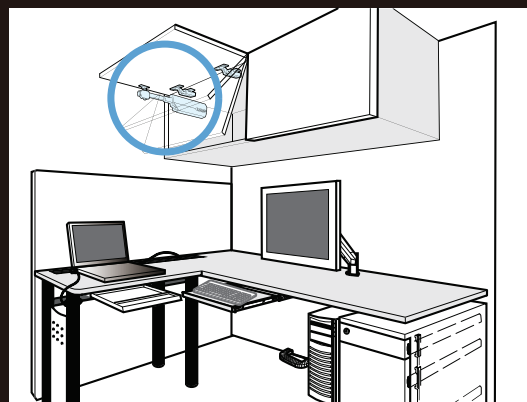
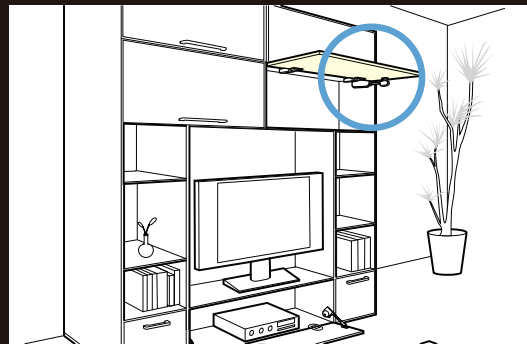


Slim design & installed location maximizes space inside of cabinet

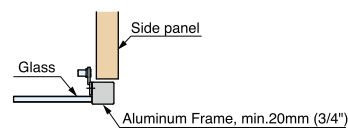
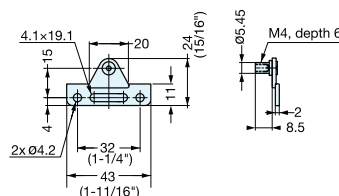
EASY LIFT-UP STAY

- Lift-assist mechanism for extra light-opening with free stop feature.
- Offers smooth and soft downward movement preventing lids or doors from slamming shut
- Easy to install by aligning the body to the edge of cabinet.
- Recognized by LGA for 40,000 cycles.

Designed to operate at room temperature 0°~40°C (32°~104°F).



Arm Mounting Plate for Aluminum Frame Door



Hinges

Drawer Slides

Pulls and Knobs

Locks, Catches, Shelf Hardware

Lights

Closet and Furniture Hardware

Grommets

Kitchen Accessories

Melamine

Shop Supplies

LID STAYS

Easy Lift-Up Stay

Hinges

EASY LIFT-UP STAY



Drawer Slides

Pulls and Knobs

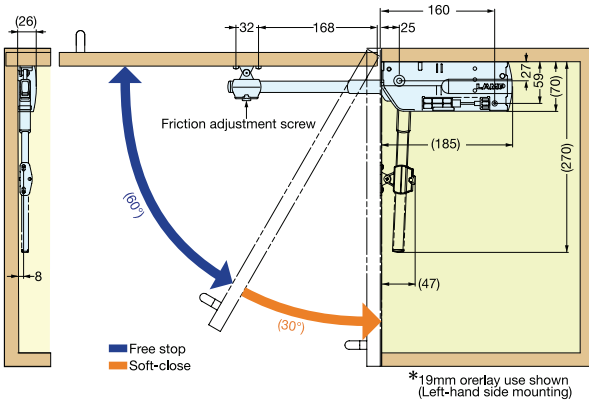
Locks, Catches, Shelf Hardware

Lights

Closet and Furniture Hardware



- For UPWARD-OPENING FLAP DOOR with concealed, piano, butt, or drop hinges.
- Designed to provide effortless opening and hold door in closed and opened position.
- Damper equipped for soft & silent closing.
- Optional bracket for aluminum frame door available.
- Single or pair use allows wide range of door sizes/weights.
- Handed left or right.

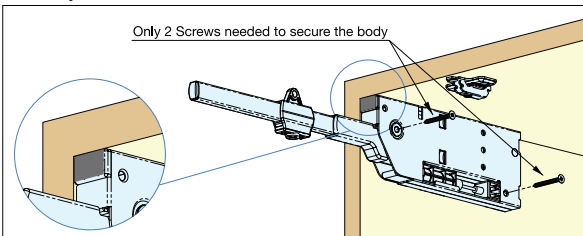


Door Weight Range Table (lbs.)

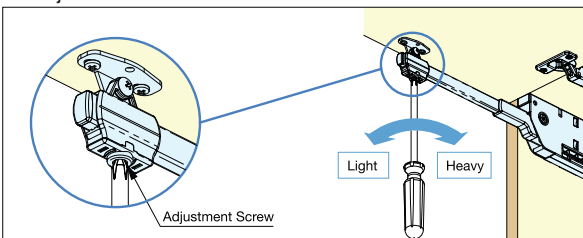
Door Height (inch)	Single use				Pair use			
	M-type		H-type		M-type		H-type	
	Min	Max	Min	Max	Min	Max	Min	Max
12"	8.0	10.8	10.8	14.5	16.0	21.7	21.7	29.0
13"	7.4	10.0	10.0	13.4	14.8	20.0	20.0	26.8
14"	6.9	9.3	9.3	12.4	13.7	18.6	18.6	24.9
15"	6.4	8.7	8.7	11.6	12.8	17.3	17.3	23.2
16"	6.0	8.1	8.1	10.9	12.0	16.3	16.3	21.8
17"	5.6	7.6	7.6	10.2	11.3	15.3	15.3	20.5
18"	5.3	7.2	7.2	9.7	10.7	14.4	14.4	19.3
19"	5.1	6.8	6.8	9.2	10.1	13.7	13.7	18.3
20"	4.8	6.5	6.5	8.7	9.6	13.0	13.0	17.4
21"	4.6	6.2	6.2	8.3	9.1	12.4	12.4	16.6
22"	4.4	5.9	5.9	7.9	8.7	11.8	11.8	15.8
23"	4.2	5.7	5.7	7.6	8.3	11.3	11.3	15.1
24"	4.0	5.4	5.4	7.3	8.0	10.8	10.8	14.5
25"	3.8	5.2	5.2	7.0	7.7	10.4	10.4	13.9
26"	3.7	5.0	5.0	6.7	7.4	10.0	10.0	13.4
27"	3.6	4.8	4.8	6.4	7.1	9.6	9.6	12.9
28"	3.4	4.6	4.6	6.2	6.9	9.3	9.3	12.4

*Single or pair use depending on door size and weight.

Easy Installation



Adjustment



Order Number

15-176

Left

15-178

Right

Type

H-Type
(Heavy Duty)

Torque Per Piece

75~100 kg.cm
(65-87 lbs.in)

Material

- Aluminum
- Steel
- ABS

Finish / Color

- Anodized
- Galvanized
- Light Grey

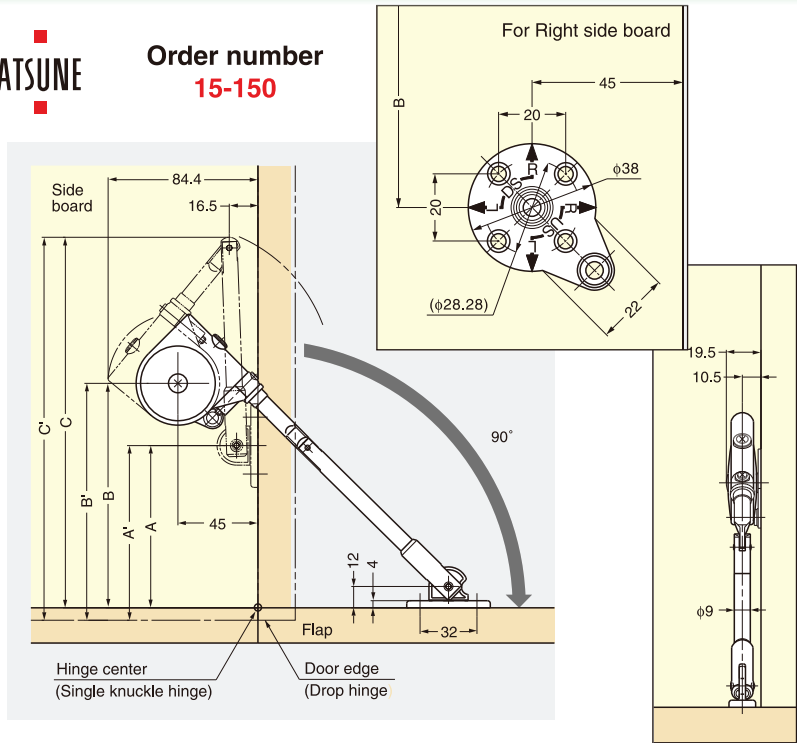
LID STAYS



SUGATSUNE

**Order number
15-150**

- Material: plastic, steel, Zinc alloy
- Finish: nickel
- Supplied with screws (3.5 x 14)
- Designed to securely latch a flap
- Available in white or black
- Recommended door thickness: 20 mm (25/32")
- Torque Calculation:
Torque = door height x 1/2 x door weight
Per piece: 35-50kg - cm (30-43 lbs. - inch)
Per pair: 70-100kg - cm (60-85 lbs. - inch)



Hinges

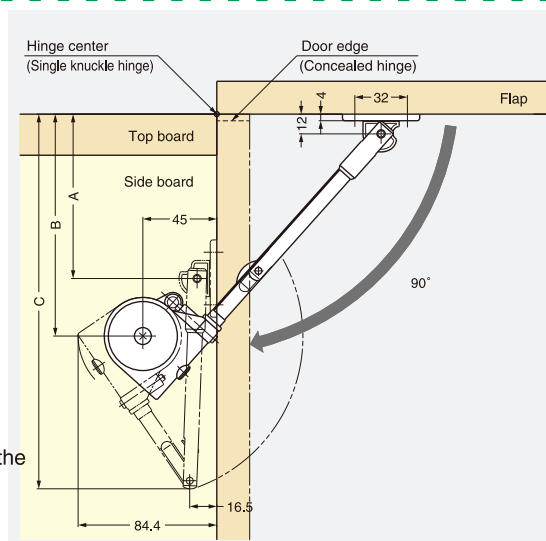
Drawer Slides

Pulls and Knobs

Locks, Catches, Shelf Hardware



- Material: plastic, steel, Zinc alloy
- Finish: nickel
- Supplied with screws (3.5 x 14)
- Designed to securely latch a flap closed and hold the flap in the fully opened position
- Recommended door thickness: 20 mm (25/32")
- Torque Calculation:
Torque = door height x 1/2 x door weight
Per piece: 35-50kg - cm (30-43 lbs. - inch)
Per pair: 70-100kg - cm (60-85 lbs. - inch)
- Torque moment: 30-50kg cm/pc



SUGATSUNE

Available in white or black
Light duty model also available

Order number15-156

Lights

Closet and Furniture Hardware

Grommets

Kitchen Accessories

Econo Flap Stay

15" to 17" Flap Height Order number15-102



FINISH: Nickel and White Plastic

Melamine

Shop Supplies

LID STAYS

Lid Stays, Brackets & Pads

Hinges

European Lid Stay

Drawer Slides

Pulls and Knobs



ORDER NUMBER	DESCRIPTION	DOORS
15-112	80N GAS SPRING LID STAY	UP TO 17lbs.
15-114	100N GAS SPRING LID STAY	UP TO 23lbs.
15-116	120N GAS SPRING LID STAY	UP TO 27lbs.

Locks, Catches, Shelf Hardware

Lid Stay

Lights

Closet and Furniture Hardware

- All metal housing
- Black plastic stop and adjusting screw
- Attractive in appearance – box only 19/32" wide
- For lids up to 20 inches
- One piece normally sufficient
- Left and right interchangeable



Order number15-122

Sold in pairs. Adjustable friction fitting allows lowering at slow speed. Finish is bright nickel and arm length is 10-1/4". Total length is 11". You may adjust degree of opening by changing mounting. Turn adjusting screw clockwise to reduce braking.

Grommets

Folding Bracket

Kitchen Accessories

Melamine

- Sold in pairs
- Locking device is in the supporting arm.
- Capacity: 50kg per pair
- Finish: white

To fold, lift slightly (to release the safety device). Press the release lever and the bracket will fold down.

Shop Supplies

Order number15-124

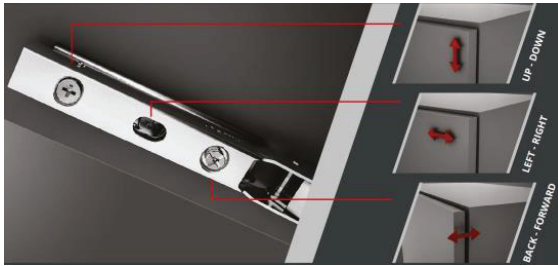


LID STAYS

d-lite lift
Inspirational Silence



soul of furniture



- Three models to choose from: A1, B1, C1
- 90° Opening Angle with use of included opening angle stopper, or standard 107° Opening Angle
- Door Heights from: 200mm (7.87") to 600mm (23.62")
- Door Weights from: 2.09 lbs to 32.41 lbs
- Neutral Grey color
- Hinge-less lift system
- Sold in sets with all needed components for single door application
- Clip-On door attachment and removal
- 3D Adjustment (Side/Height/Depth)
- Gradual-Opening mechanism allows doors to stop at your desired level
- Fully Adjustable Soft-Closing and Silent Movement
- Fully mechanical lifting coil spring system allows a Lifetime of stability

Item #	Description
15-140	D-LITE LIFT SET A1 GREY
15-142	D-LITE LIFT SET B1 GREY
15-144	D-LITE LIFT SET C1 GREY

*Include the weight of any door handle(s) in your door weight calculation

Mechanisms →	A1 (Item #1090-761)		B1 (Item #1090-771)		C1 (Item #1090-781)	
Door Height	Min lbs	Max lbs	Min lbs	Max lbs	Min lbs	Max lbs
200mm (7.87")	7.93	14.33	11.02	21.38	15.43	32.41
201mm (7.91") to 250mm (9.84")	7.49	11.68	8.81	16.53	12.13	26.90
251mm (9.88") to 300mm (11.81")	4.18	10.80	6.61	13.01	9.92	21.83
301mm (11.85") to 350mm (13.77")	3.52	7.93	6.17	11.02	8.81	17.42
351mm (13.81") to 400mm (15.74")	3.08	6.83	5.29	9.25	7.93	15.87
401mm (15.78") to 450mm (17.71")	2.86	6.17	4.85	8.37	7.05	13.89
451mm (17.75") to 500mm (19.68")	2.64	5.51	4.40	7.49	6.17	12.13
501mm (19.72") to 550mm (21.65")	2.20	4.85	3.85	6.61	5.73	11.24
551mm (21.69") to 600mm (23.62")	2.09	4.40	3.74	6.17	5.51	10.14

Hinges

Drawer Slides

Pulls and Knobs

Locks, Catches, Shelf Hardware

Lights

Closet and Furniture Hardware

Grommets

Kitchen Accessories

Melamine

Shop Supplies

Performa Lid Stays



soul of furniture

Hinges

Drawer Slides

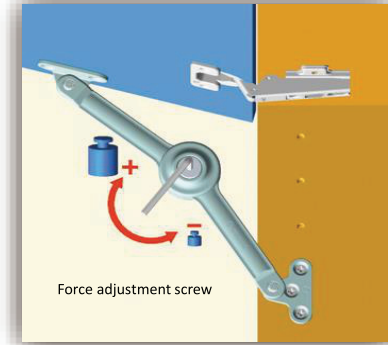
Pulls and Knobs

Locks, Catches, Shelf Hardware

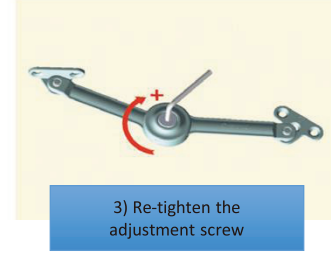
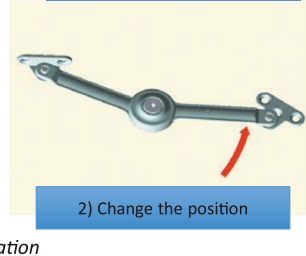
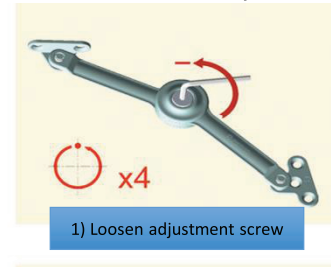
Lights

Closet and Furniture Hardware

- Performa Lid Stay for Lift-Up and Drop-Down Doors
- 75° to 110° Opening Angle
- Non-Handed
- Minimum Door Height: 300mm (11.81")
- Door Widths from: 300mm (11.81") to 700mm (27.55")
- Weight Range: 2.20 lbs to 17.64 lbs
- Can use One or Two Performa Lid Stays per door, depending on the weight and size of the door
- Fully Adjustable door force adjustment with included Allen Wrench
- Use in conjunction with self-closing hinges and mounting plates.
- Nickel Plated Zinc Die-Cast and Stamped Steel Material
- Set Includes: 1-Performa Lid Stay, Door and Cabinet Mounting Brackets and Allen Wrench
- 37mm Cabinet Mounting Bracket Set Back
- For Face Frame and Frameless Applications



How to Change the Direction of the Performa Lid Stay



Item #	Box Qty	Case Qty
Special Order	25 Sets	100 Sets

*Include the weight of any door handle(s) in your door weight calculation

Grommets	A = HOLDS DOOR OPEN IN ANY POSITION		Door Width (1 = 1-Side or 2 = 2-Side)																			
	B = THE DOOR CLOSSES SLOWLY IN TO THE CLOSED POSITION		300mm (11.81")		350mm (13.77")		400mm (15.74")		450mm (17.71")		500mm (19.68")		550mm (21.65")		600mm (23.62")		650mm (25.59")		700mm (27.55")			
	Door Weight lbs	Door Opening Angle	A	B	A	B	A	B	A	B	A	B	A	B	A	B	A	B	A	B		
Kitchen Accessories	2.20	75°	1	1	1	1	1	1	1	1	1	1	1	1	2	1	2	1	2	1	2	1
		90°	1	1	1	1	1	1	1	1	1	1	1	1	2	1	2	1	2	1	2	1
		110°	1	1	1	1	1	1	1	1	1	2	1	2	1	2	1	2	2	2	2	2
Melamine	4.40	75°	1	1	1	1	1	1	1	1	2	1	2	1	2	1	2	1	2	1	2	1
		90°	1	1	1	1	1	1	2	1	2	1	2	1	2	1	X	2	X	2	X	2
		110°	2	1	2	1	2	1	2	1	X	1	X	1	X	2	X	2	X	2	X	2
Shop Supplies	6.61	75°	1	1	1	1	2	1	2	1	2	1	2	2	2	2	2	2	2	2	X	2
		90°	1	1	2	1	2	1	2	2	2	2	2	2	2	X	2	X	2	X	2	X
		110°	2	1	2	1	2	1	X	2	X	2	X	2	X	2	X	X	X	X	X	X
Shop Supplies	8.81	75°	2	1	2	1	2	1	2	1	X	1	2	2	X	2	X	2	X	2	X	2
		90°	2	1	2	1	2	1	2	2	X	2	X	2	X	2	X	2	X	2	X	2
		110°	2	1	2	2	X	2	X	2	X	2	X	2	X	2	X	X	X	X	X	X
Shop Supplies	11.02	75°	2	1	2	1	2	1	2	2	X	2	X	2	X	2	X	2	X	2	X	2
		90°	2	1	2	2	X	2	X	2	X	2	X	2	X	2	X	2	X	2	X	2
		110°	2	2	X	2	X	2	X	2	X	2	X	2	X	X	X	X	X	X	X	X
Shop Supplies	13.23	75°	2	1	2	2	X	2	X	2	X	2	X	2	X	2	X	2	X	2	X	2
		90°	X	2	X	2	X	2	X	2	X	2	X	X	X	X	X	X	X	X	X	X
		110°	X	2	X	2	X	2	X	X	X	X	X	X	X	X	X	X	X	X	X	X
Shop Supplies	15.43	75°	X	2	X	2	X	2	X	2	X	2	X	2	X	2	X	2	X	2	X	2
		90°	X	2	X	2	X	2	X	X	X	X	X	X	X	X	X	X	X	X	X	
		110°	X	2	X	X	X	X	X	X	X	X	X	X	X	X	X	X	X	X	X	
Shop Supplies	17.64	75°	X	2	X	2	X	2	X	2	X	2	X	2	X	2	X	2	X	2	X	2
		90°	X	2	X	X	X	X	X	X	X	X	X	X	X	X	X	X	X	X	X	
		110°	X	X	X	X	X	X	X	X	X	X	X	X	X	X	X	X	X	X		

SLIDES



Double Wall Drawer Slides

SLIDES

Double Wall Undermount Soft-Close

Hinges

Drawer Slides

Pulls and Knobs

Locks, Catches, Shelf Hardware

Lights

Closet and Furniture Hardware

- Concealed, Full Extension
- Dynamic LOAD capacity: 40kg
- Finish: Metallic Gray
- Tool Free Assembly and Removal of Drawer
- Silent System Guarantees Smooth Run Without Noise
- Up & Down Adjustment, Left & Right Adjustment



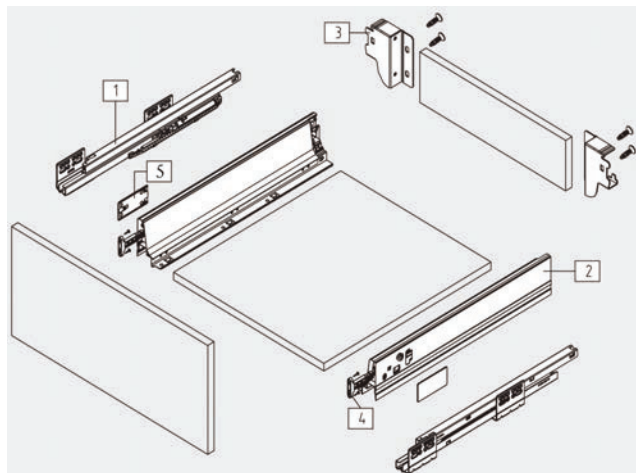
ORDER NUMBER	DESCRIPTION
25-505D	14" DOUBLE-WALL FULL EXTENSION SLIDE
25-507D	16" DOUBLE-WALL FULL EXTENSION SLIDE
25-512D	18" DOUBLE-WALL FULL EXTENSION SLIDE
25-514D	20" DOUBLE-WALL FULL EXTENSION SLIDE
25-516D	22" DOUBLE-WALL FULL EXTENSION SLIDE

Grommets

Kitchen Accessories

Melamine

Shop Supplies



KIT INCLUDES:

- #1 - SLIDES LEFT / RIGHT
- #2 - DRAWER SIDES
- #3 - BACK FIXING BRACKETS LEFT / RIGHT
- #4 - FRONT FIXING BRACKET LEFT / RIGHT
- #5 - COVER CAPS LEFT / RIGHT



Double Wall Undermount Soft-Close

- Concealed, Full Extension
- Dynamic LOAD capacity: 40kg
- Finish: Metallic Gray
- Tool Free Assembly and Removal of Drawer
- Silent System Guarantees Smooth Run Without Noise
- Up & Down Adjustment, Left & Right Adjustment

Hinges

Drawer Slides

Pulls and Knobs

Locks, Catches, Shelf Hardware

Lights

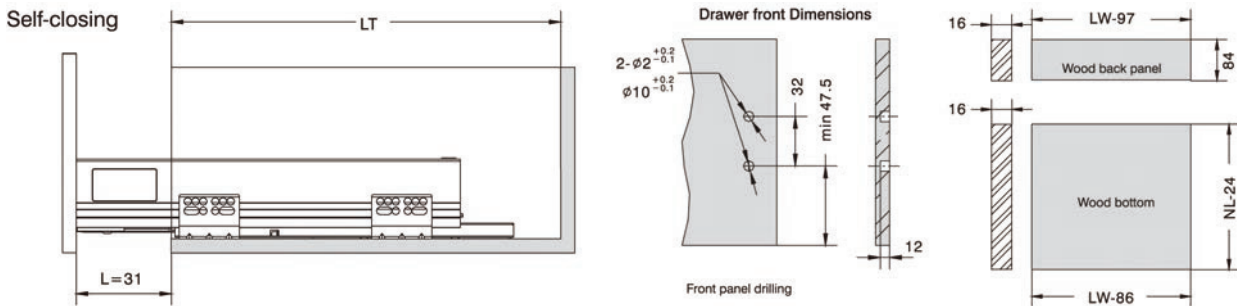
Closet and Furniture Hardware

Grommets

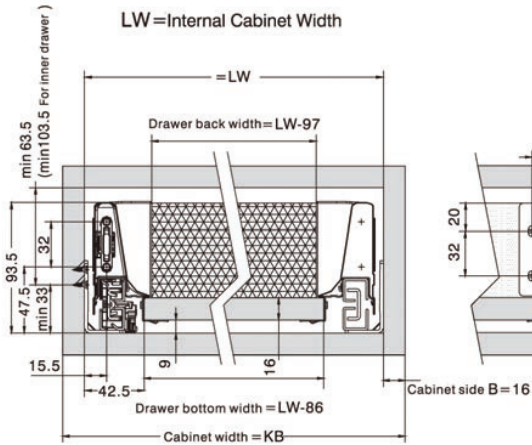
Kitchen Accessories

Melamine

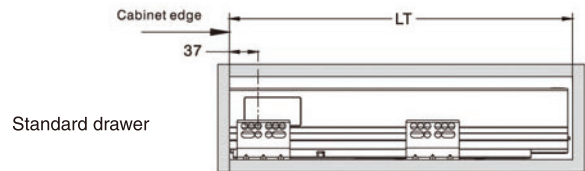
Shop Supplies



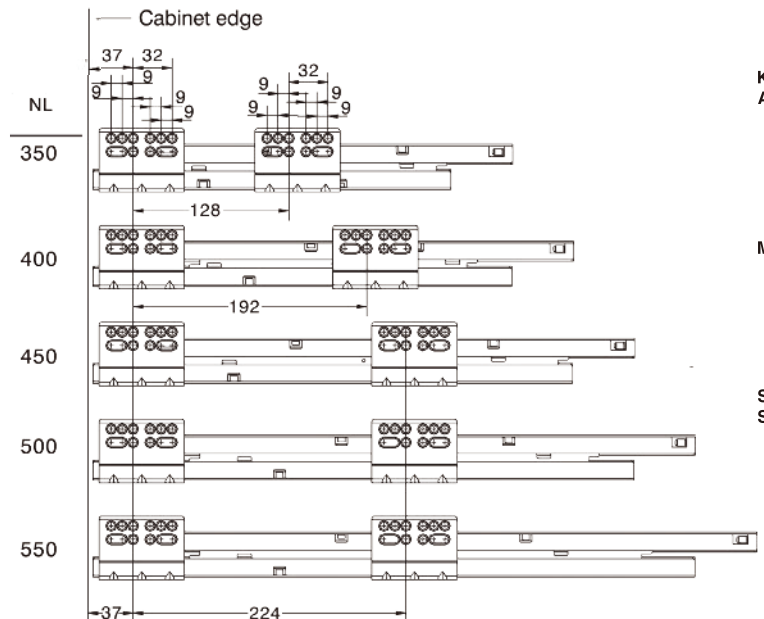
MEASUREMENTS SHOWN FOR 16mm BOARD



NL =Nominal Slide Length LT = Internal cabinet Depth LT = NL+3



For 18mm Board
Use the following
Drawer Bottom Width = LW-92



SLIDES

Double Wall Undermount Soft-Close

Hinges

Drawer Slides

Pulls and Knobs

Locks, Catches, Shelf Hardware

Lights

Closet and Furniture Hardware

- Concealed, Full Extension
- Dynamic LOAD capacity: 40kg
- Finish: Metallic Gray
- Tool Free Assembly and Removal of Drawer
- Silent System Guarantees Smooth Run Without Noise
- Up & Down Adjustment, Left & Right Adjustment



ORDER NUMBER

DESCRIPTION

25-507DR

16" DOUBLE-WALL FULL EXTENSION SLIDE WITH SINGLE RAILING

25-509DR

18" DOUBLE-WALL FULL EXTENSION SLIDE WITH SINGLE RAILING

25-511DR

20" DOUBLE-WALL FULL EXTENSION SLIDE WITH SINGLE RAILING

25-516DR

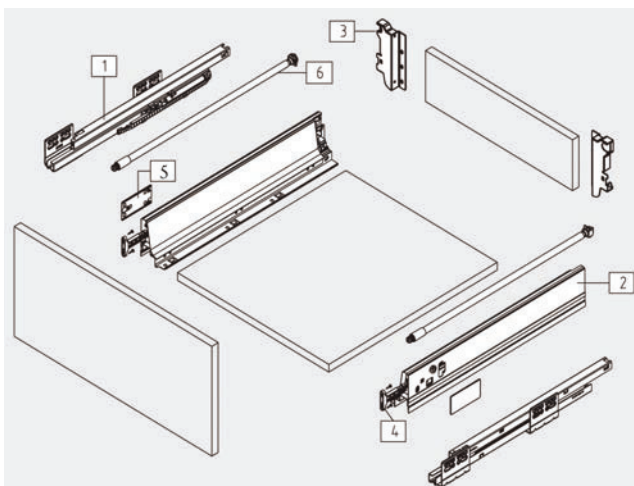
22" DOUBLE-WALL FULL EXTENSION SLIDE WITH SINGLE RAILING

Grommets

Kitchen Accessories

Melamine

Shop Supplies



KIT INCLUDES:

- #1 - SLIDES LEFT / RIGHT
- #2 - DRAWER SIDES
- #3 - BACK FIXING BRACKETS LEFT / RIGHT
- #4 - FRONT FIXING BRACKET LEFT / RIGHT
- #5 - COVER CAPS LEFT / RIGHT
- #6 - SIDE RAILS LEFT / RIGHT



Double Wall Undermount Soft-Close

- Concealed, Full Extension
- Dynamic LOAD capacity: 40kg
- Finish: Metallic Gray
- Tool Free Assembly and Removal of Drawer
- Silent System Guarantees Smooth Run Without Noise
- Up & Down Adjustment, Left & Right Adjustment

Hinges

Drawer Slides

Pulls and Knobs

Locks, Catches, Shelf Hardware

Lights

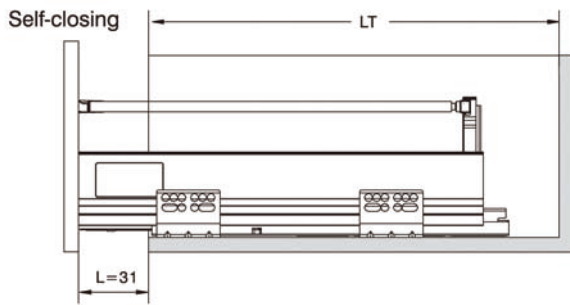
Closet and Furniture Hardware

Grommets

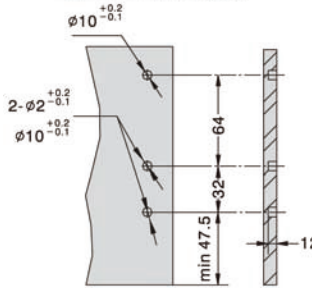
Kitchen Accessories

Melamine

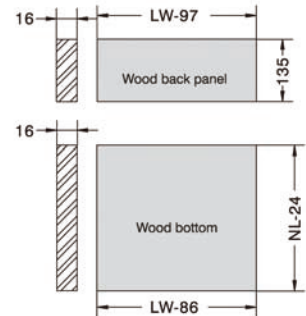
Shop Supplies



Drawer front Dimensions



Front panel drilling



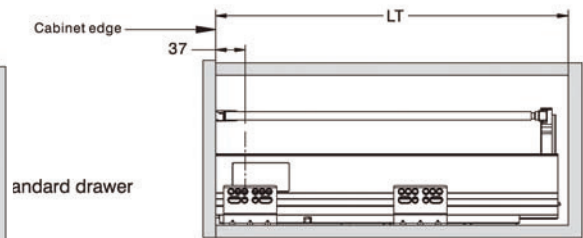
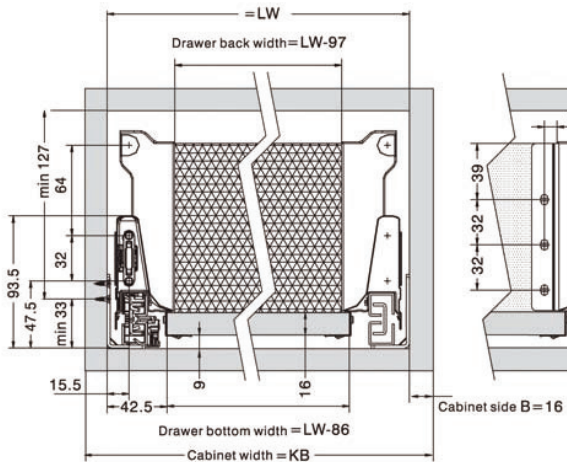
MEASUREMENTS SHOWN FOR 16mm BOARD

LW = Internal Cabinet Width

L = Nominal Slide Length

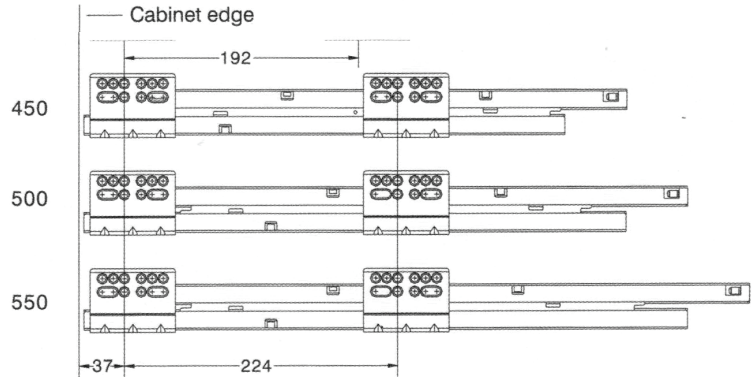
LT = Internal cabinet Depth

LT = NL + 3



Standard drawer

For 18mm Board
Use the following
Drawer Bottom Width = LW-92



SLIDES

Double Wall Undermount Soft-Close

Hinges

Drawer Slides

Pulls and Knobs

Locks, Catches, Shelf Hardware

Lights

Closet and Furniture Hardware

- Concealed, Full Extension
- Dynamic LOAD capacity: 40kg
- Finish: Metallic Gray
- Tool Free Assembly and Removal of Drawer
- Silent System Guarantees Smooth Run Without Noise
- Up & Down Adjustment, Left & Right Adjustment



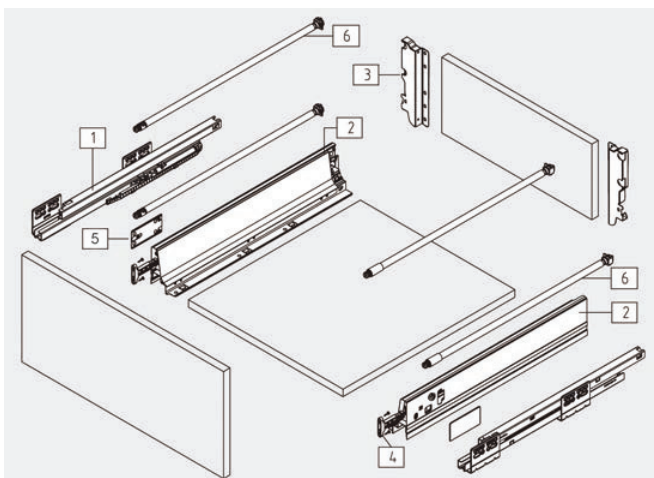
Grommets

ORDER NUMBER	DESCRIPTION
25-507DR2	16" DOUBLE-WALL FULL EXTENSION SLIDE WITH DOUBLE RAILING
25-509DR2	18" DOUBLE-WALL FULL EXTENSION SLIDE WITH DOUBLE RAILING
25-511DR2	20" DOUBLE-WALL FULL EXTENSION SLIDE WITH DOUBLE RAILING

Kitchen Accessories

Melamine

Shop Supplies



KIT INCLUDES:

- #1 - SLIDES LEFT / RIGHT
- #2 - DRAWER SIDES
- #3 - BACK FIXING BRACKETS LEFT / RIGHT
- #4 - FRONT FIXING BRACKET LEFT / RIGHT
- #5 - COVER CAPS LEFT / RIGHT
- #6 - 2 SIDE RAILS LEFT / RIGHT



SLIDES

Double Wall Undermount Soft-Close

- Concealed, Full Extension
- Dynamic LOAD capacity: 40kg
- Finish: Metallic Gray
- Tool Free Assembly and Removal of Drawer
- Silent System Guarantees Smooth Run Without Noise
- Up & Down Adjustment, Left & Right Adjustment

Hinges

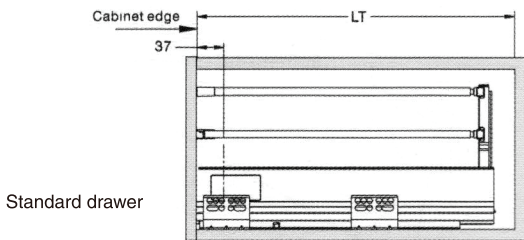
Drawer Slides

Pulls and Knobs

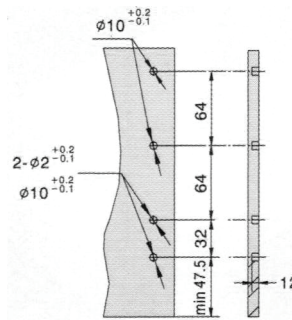
Locks, Catches, Shelf Hardware

Lights

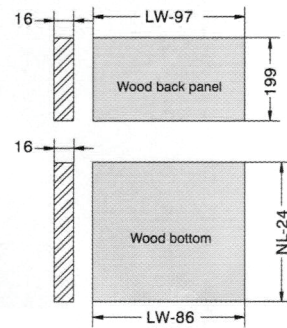
NL = Nominal Slide Length LT = Internal cabinet Depth $LT = NL + 3$



Drawer front Dimensions

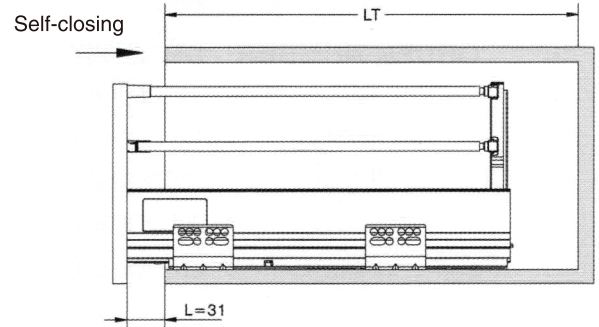
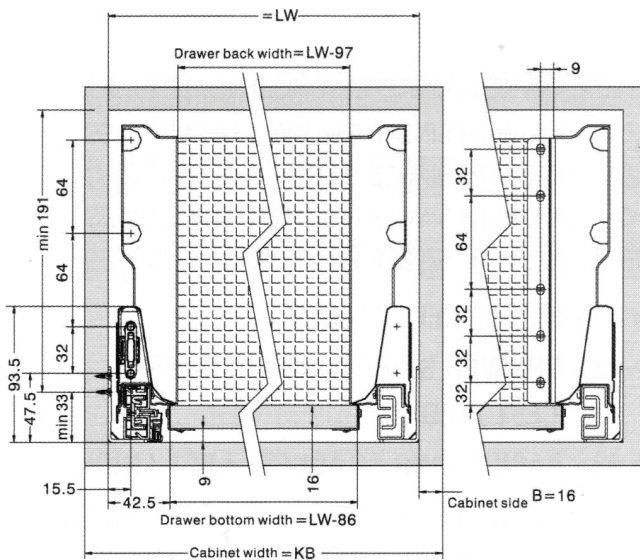


Front panel drilling



MEASUREMENTS SHOWN FOR 16mm BOARD

LW = Internal Cabinet Width

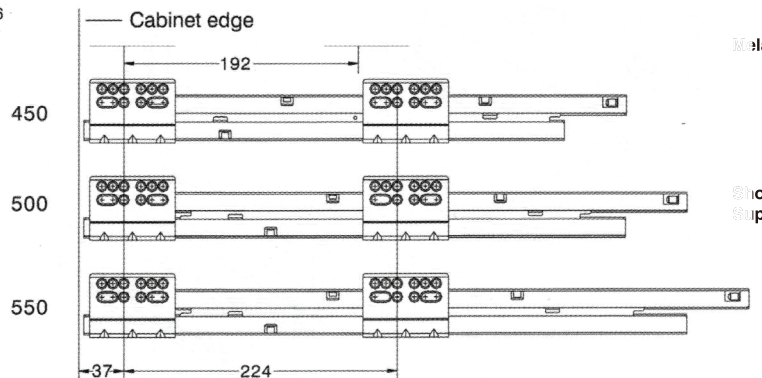


Closet and Furniture Hardware

Grommets

Kitchen Accessories

For 18mm Board
Use the following
Drawer Bottom Width = LW-92



Melamine

Shop Supplies

SLIDES

Double Wall Undermount Soft-Close

Hinges

Drawer Slides

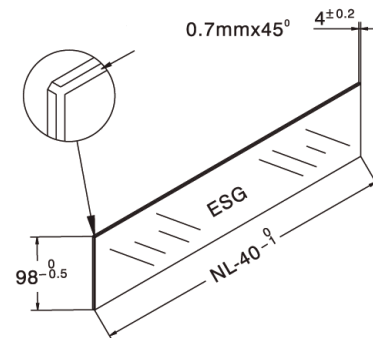
Pulls and Knobs

Locks, Catches, Shelf Hardware

Lights

Closet and Furniture Hardware

- Concealed, Full Extension
- Dynamic LOAD capacity: 40kg
- Finish: Metallic Gray
- Tool Free Assembly and Removal of Drawer
- Silent System Guarantees Smooth Run Without Noise
- Up & Down Adjustment, Left & Right Adjustment



ORDER NUMBER | DESCRIPTION

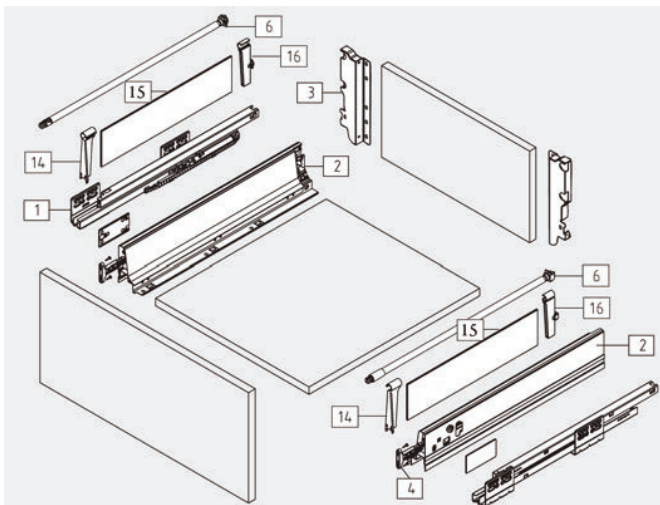
25-505DG	14" DOUBLE-WALL FULL EXTENSION SLIDE WITH SINGLE RAILING & GLASS SIDES
25-507DG	16" DOUBLE-WALL FULL EXTENSION SLIDE WITH SINGLE RAILING & GLASS SIDES
25-509DG	18" DOUBLE-WALL FULL EXTENSION SLIDE WITH SINGLE RAILING & GLASS SIDES
25-511DG	20" DOUBLE-WALL FULL EXTENSION SLIDE WITH SINGLE RAILING & GLASS SIDES
25-516DG	22" DOUBLE-WALL FULL EXTENSION SLIDE WITH SINGLE RAILING & GLASS SIDES

Grommets

Kitchen Accessories

Melamine

Shop Supplies



- #1 - SLIDES LEFT / RIGHT
- #2 - DRAWER SIDES & COVER CAPS LEFT / RIGHT
- #3 - BACK FIXING BRACKETS LEFT / RIGHT
- #4 - FRONT FIXING BRACKET LEFT / RIGHT
- #6 - SIDE RAILS LEFT / RIGHT
- #14 - FRONT ADAPTER FOR GLASS
- #15 - GLASS BOXESIDE LEFT/RIGHT
- #16 - REAR ADAPTER FOR GLASS



Double Wall Undermount Soft-Close

- Concealed, Full Extension
- Dynamic LOAD capacity: 40kg
- Finish: Metallic Gray
- Tool Free Assembly and Removal of Drawer
- Silent System Guarantees Smooth Run Without Noise
- Up & Down Adjustment, Left & Right Adjustment

Hinges

Drawer Slides

Pulls and Knobs

Locks, Catches, Shelf Hardware

Lights

Closet and Furniture Hardware

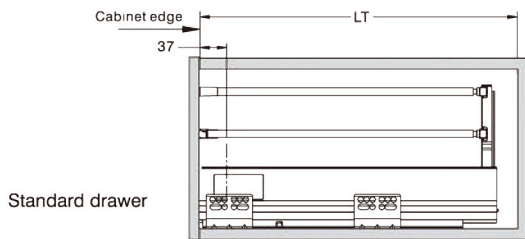
Grommets

Kitchen Accessories

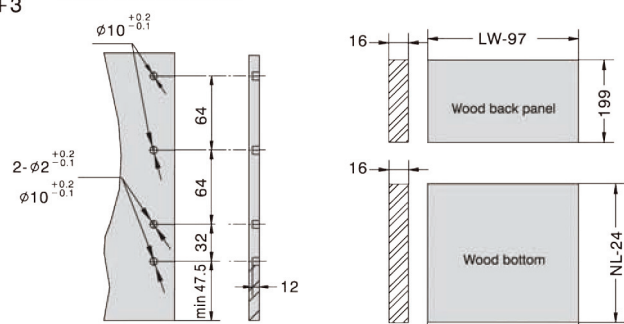
Melamine

Shop Supplies

NL = Nominal Slide Length LT = Internal cabinet Depth $LT = NL + 3$

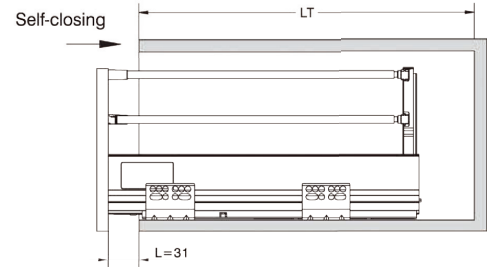
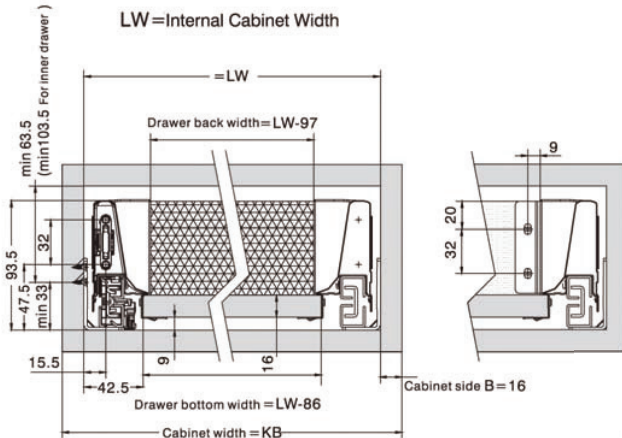


Drawer front Dimensions

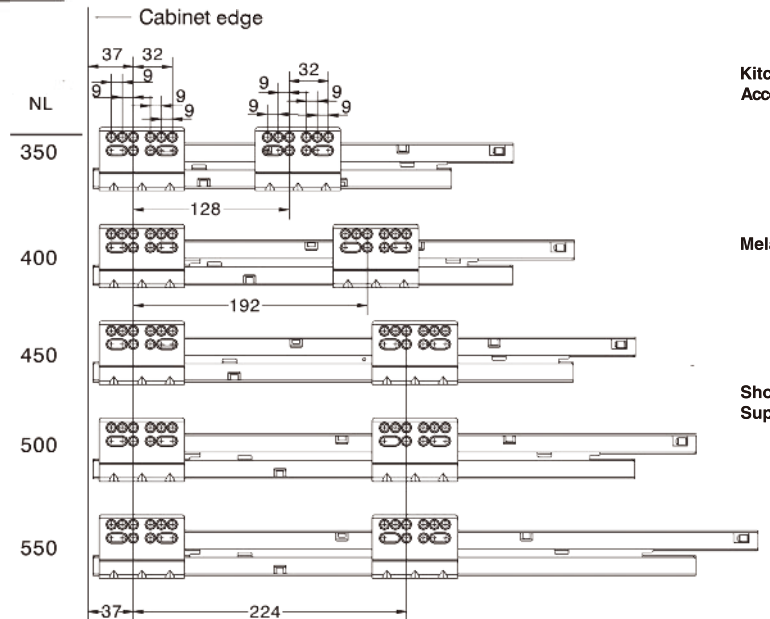


Front panel drilling

N FOR 16mm BOARD



For 18mm Board
Use the following
Drawer Bottom Width = LW-92



SLIDES

Stainless Steel Double Wall Undermount Soft-Close

Hinges

Drawer Slides

Pulls and Knobs

Locks, Catches, Shelf Hardware

Lights

Closet and Furniture Hardware

Grommets

Kitchen Accessories

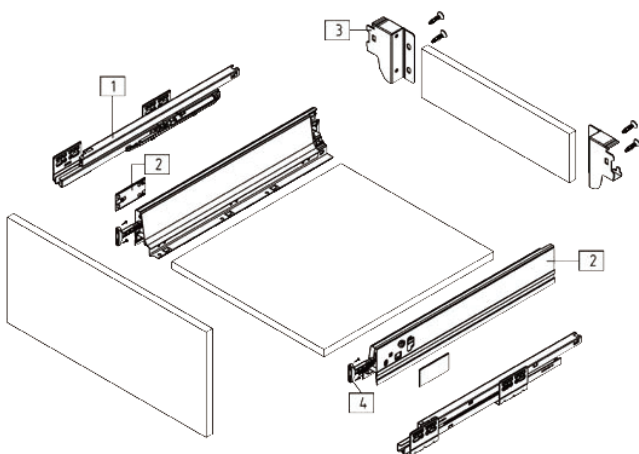
Melamine

Shop Supplies

- Concealed, Full Extension
- Dynamic LOAD Capacity: 40kg
- Finish: Stainless Steel
- Tool Free Assembly And Removal Of Drawer
- Silent System Guarantees Smooth Run Without Noise
- Up & Down Adjustment, Left & Right Adjustment



ORDER NUMBER	DESCRIPTION
25-507D-SS	16" DOUBLE-WALL FULL EXTENSION SLIDE
25-509D-SS	18" DOUBLE-WALL FULL EXTENSION SLIDE
25-511D-SS	20" DOUBLE-WALL FULL EXTENSION SLIDE
25-516D-SS	22" DOUBLE-WALL FULL EXTENSION SLIDE



KIT INCLUDES:

- #1 - SLIDES LEFT / RIGHT
- #2 - DRAWER SIDES
- #3 - BACK FIXING BRACKETS LEFT / RIGHT
- #4 - FRONT FIXING BRACKET LEFT / RIGHT
- #5 - COVER CAPS LEFT / RIGHT



Stainless Steel Double Wall Undermount Soft-Close

- Concealed, Full Extension
- Dynamic LOAD Capacity: 40kg
- Finish: Stainless Steel
- Tool Free Assembly And Removal Of Drawer
- Silent System Guarantees Smooth Run Without Noise
- Up & Down Adjustment, Left & Right Adjustment

Hinges

Drawer Slides

Pulls and Knobs

Locks, Catches, Shelf Hardware

Lights

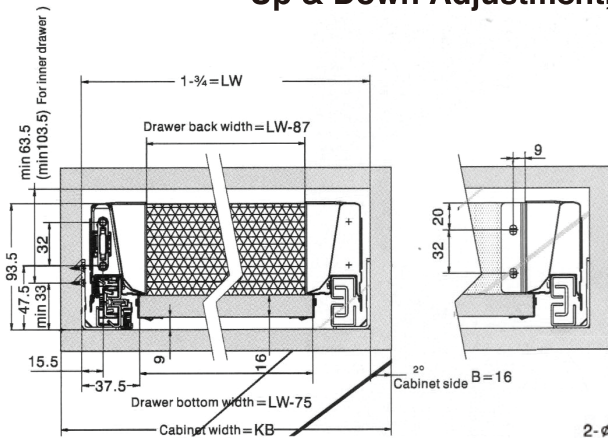
Closet and Furniture Hardware

Grommets

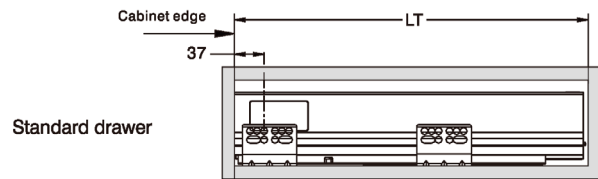
Kitchen Accessories

Melamine

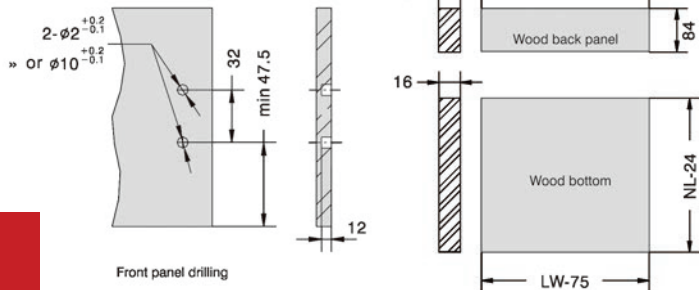
Shop Supplies



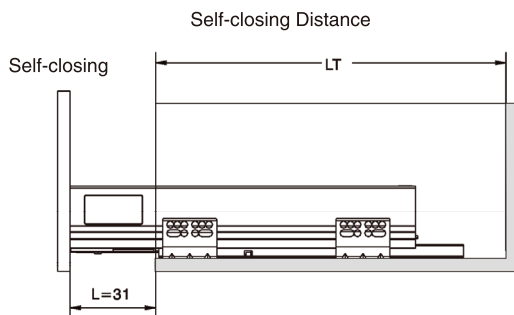
NL = Nominal Slide Length LT = Internal cabinet Depth LT = NL + 3



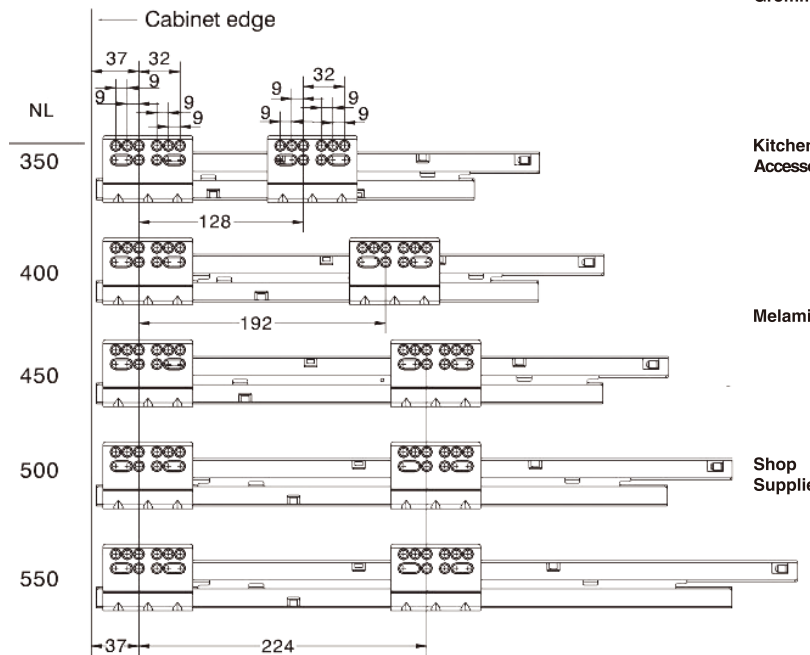
Drawer front Dimensions



MEASUREMENTS SHOWN FOR 16mm BOARD



For 18mm Board
Use the following
Drawer Bottom Width = LW-92



SLIDES

Stainless Steel Double Wall Undermount Soft-Close

Hinges

Drawer Slides

Pulls and Knobs

Locks, Catches, Shelf Hardware

Lights

Closet and Furniture Hardware

- Concealed, Full Extension
- Dynamic LOAD Capacity: 40kg
- Finish: Stainless Steel
- Tool Free Assembly And Removal Of Drawer
- Silent System Guarantees Smooth Run Without Noise
- Up & Down Adjustment, Left & Right Adjustment



Note: Rails & Rear Brackets Are Chrome Plated.
Picture Shown Is For Visual Representation Only

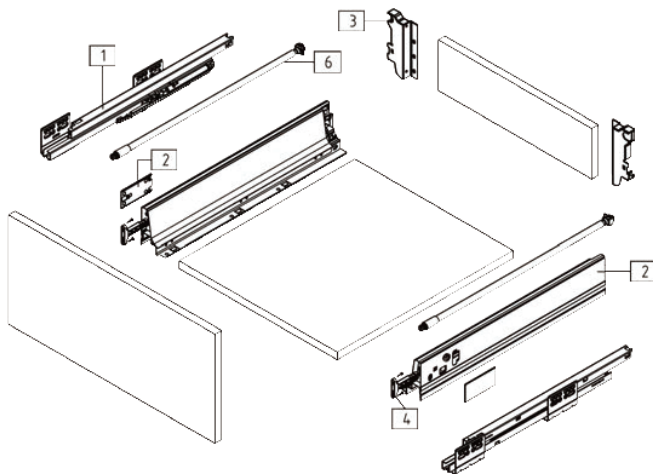
ORDER NUMBER	DESCRIPTION
25-507DR-SS	16" DOUBLE-WALL FULL EXTENSION SLIDE WITH SINGLE RAILING
25-509DR-SS	18" DOUBLE-WALL FULL EXTENSION SLIDE WITH SINGLE RAILING
25-511DR-SS	20" DOUBLE-WALL FULL EXTENSION SLIDE WITH SINGLE RAILING

Grommets

Kitchen Accessories

Melamine

Shop Supplies



KIT INCLUDES:

- #1 - SLIDES LEFT / RIGHT
- #2 - DRAWER SIDES
- #3 - BACK FIXING BRACKETS LEFT / RIGHT
- #4 - FRONT FIXING BRACKET LEFT / RIGHT
- #5 - COVER CAPS LEFT / RIGHT
- #6 - SIDE RAILS LEFT / RIGHT



Stainless Steel Double Wall Undermount Soft-Close

- Concealed, Full Extension
- Dynamic LOAD Capacity: 40kg
- Finish: Stainless Steel
- Tool Free Assembly And Removal Of Drawer
- Silent System Guarantees Smooth Run Without Noise
- Up & Down Adjustment, Left & Right Adjustment

Hinges

Drawer Slides

Pulls and Knobs

Locks, Catches, Shelf Hardware

Lights

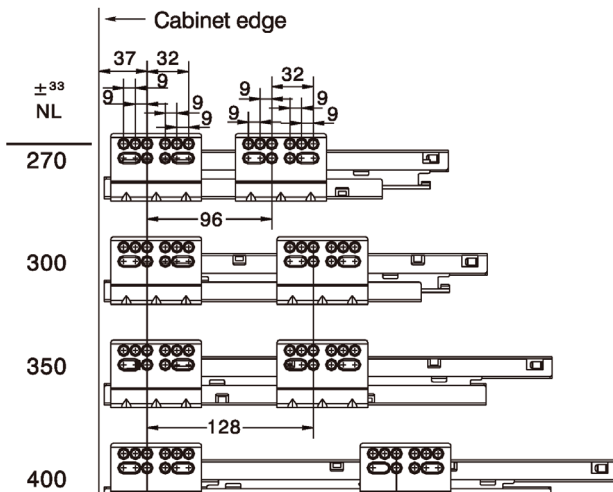
Closet and Furniture Hardware

Grommets

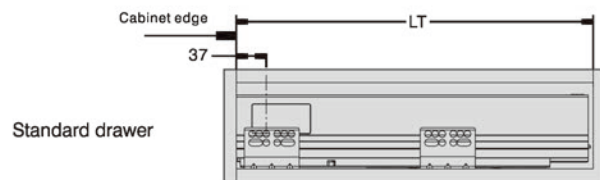
Kitchen Accessories

Melamine

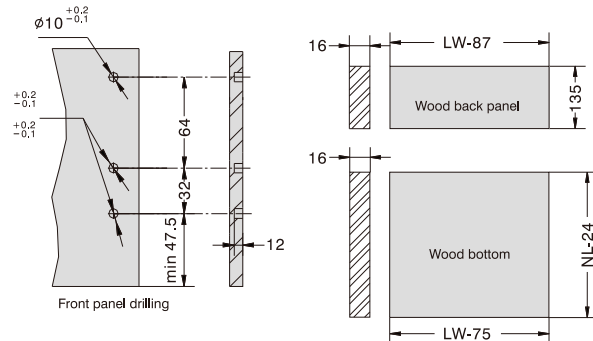
Shop Supplies



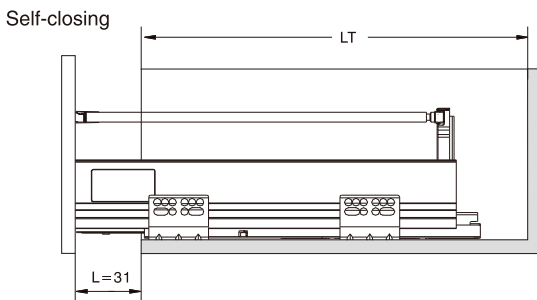
NL = Nominal Slide Length LT = Internal cabinet Depth LT = NL + 3



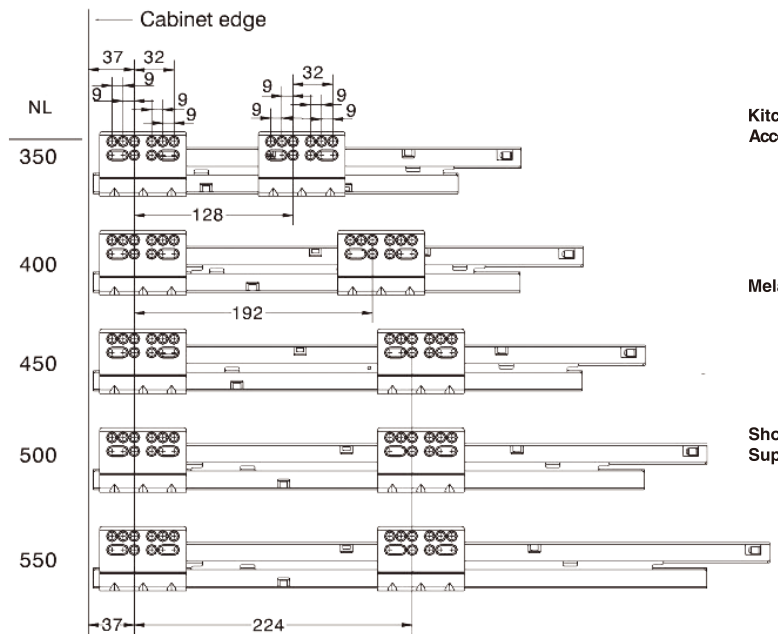
Drawer front Dimensions



MEASUREMENTS SHOWN FOR 16mm BOARD



For 18mm Board
Use the following
Drawer Bottom Width = LW-92



SLIDES

Stainless Steel Double Wall Undermount Soft-Close

Hinges

Drawer Slides

Pulls and Knobs

Locks, Catches, Shelf Hardware

Lights

Closet and Furniture Hardware

- Concealed, Full Extension
- Dynamic LOAD Capacity: 40kg
- Finish: Stainless Steel
- Tool Free Assembly And Removal Of Drawer
- Silent System Guarantees Smooth Run Without Noise
- Up & Down Adjustment, Left & Right Adjustment



Note: Rails & Rear Brackets Are Chrome Plated. Picture Shown Is For Visual Representation Only

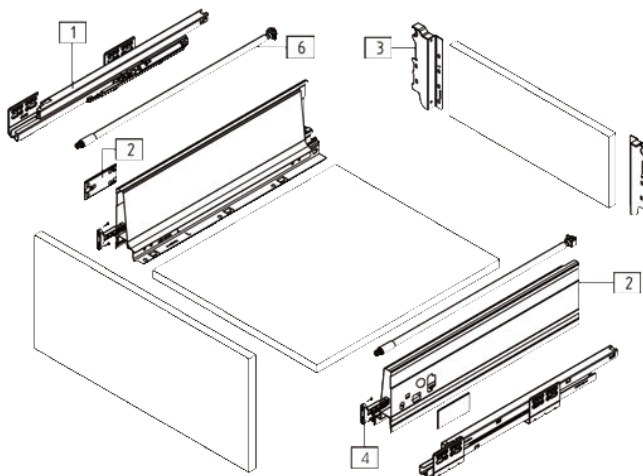
Grommets

ORDER NUMBER	DESCRIPTION
25-507DR2-SS	16" DOUBLE-WALL FULL EXTENSION SLIDE WITH DOUBLE RAILING
25-511DR2-SS	20" DOUBLE-WALL FULL EXTENSION SLIDE WITH DOUBLE RAILING

Kitchen Accessories

Melamine

Shop Supplies



KIT INCLUDES:

- #1 - SLIDES LEFT / RIGHT
- #2 - DRAWER SIDES
- #3 - BACK FIXING BRACKETS LEFT / RIGHT
- #4 - FRONT FIXING BRACKET LEFT / RIGHT
- #5 - COVER CAPS LEFT / RIGHT
- #6 - 2 SIDE RAILS LEFT / RIGHT



SLIDES

Stainless Steel Double Wall Undermount Soft-Close

Hinges

- Concealed, Full Extension
- Dynamic LOAD Capacity: 40kg
- Finish: Stainless Steel

Drawer Slides

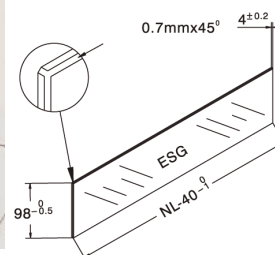
- Tool Free Assembly And Removal Of Drawer
- Silent System Guarantees Smooth Run Without Noise
- Up & Down Adjustment, Left & Right Adjustment

Pulls and Knobs



Locks, Catches, Shelf Hardware

Lights



Closet and Furniture Hardware

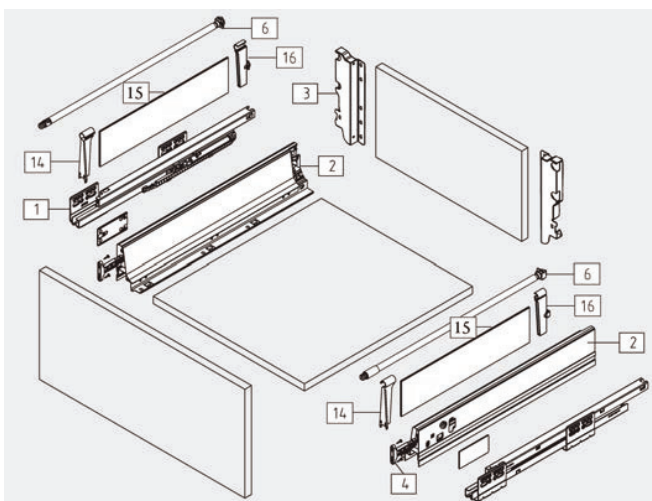
ORDER NUMBER	DESCRIPTION
25-507DG-SS	16" DOUBLE-WALL FULL EXTENSION SLIDE WITH SINGLE RAILING & GLASS SIDES
25-509DG-SS	18" DOUBLE-WALL FULL EXTENSION SLIDE WITH SINGLE RAILING & GLASS SIDES
25-511DG-SS	20" DOUBLE-WALL FULL EXTENSION SLIDE WITH SINGLE RAILING & GLASS SIDES
25-516DG-SS	22" DOUBLE-WALL FULL EXTENSION SLIDE WITH SINGLE RAILING & GLASS SIDES

Grommets

Kitchen Accessories

Melamine

Shop Supplies



KIT INCLUDES:

- #1 - SLIDES LEFT / RIGHT
- #2 - DRAWER SIDES & COVER CAPS LEFT / RIGHT
- #3 - BACK FIXING BRACKETS LEFT / RIGHT
- #4 - FRONT FIXING BRACKET LEFT / RIGHT
- #6 - SIDE RAILS LEFT / RIGHT
- #14 - FRONT ADAPTER FOR GLASS
- #15 - GLASS BOXED SIDE LEFT / RIGHT
- #16 - REAR ADAPTER FOR GLASS



SLIDES

Stainless Steel Double Wall Undermount Soft-Close

Hinges

Drawer Slides

Pulls and Knobs

Locks, Catches, Shelf Hardware

Lights

Closet and Furniture Hardware

Grommets

- Concealed, Full Extension
- Dynamic LOAD Capacity: 40kg
- Finish: Stainless Steel
- Tool Free Assembly And Removal Of Drawer
- Silent System Guarantees Smooth Run Without Noise
- Up & Down Adjustment, Left & Right Adjustment

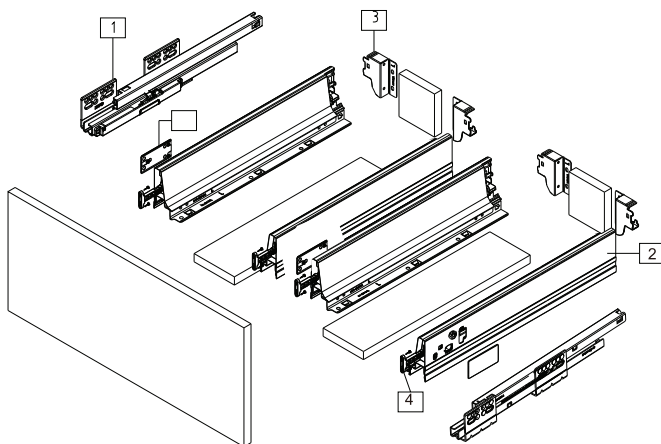


ORDER NUMBER	DESCRIPTION
25-500	20" DOUBLE-WALL SINK DRAWER FULL EXTENSION SLIDE STAIN LESS STEEL
25-501	20" DOUBLE WALL SINK DRAWER FULL EXTENSION GREY

Kitchen Accessories

Melamine

Shop Supplies



KIT INCLUDES:

- #1 - SLIDES LEFT / RIGHT
- #2 - DRAWER SIDES & COVER CAPS LEFT / RIGHT
- #3 - BACK FIXING BRACKETS LEFT / RIGHT
- #4 - FRONT FIXING BRACKET LEFT / RIGHT



SLIDES

Double Wall Undermount Soft-Close

Hinges

Box Side Option

- Metal-Box Side Option

- Use With **25-509DR, 25-511DR, 25-516DR, 25-509DR2, or 25-511DR2,**

- Finish: Metallic Gray

- Tool Free Assembly And Removal Of Side

Drawer Slides

Pulls and Knobs

Locks, Catches, Shelf Hardware

Lights

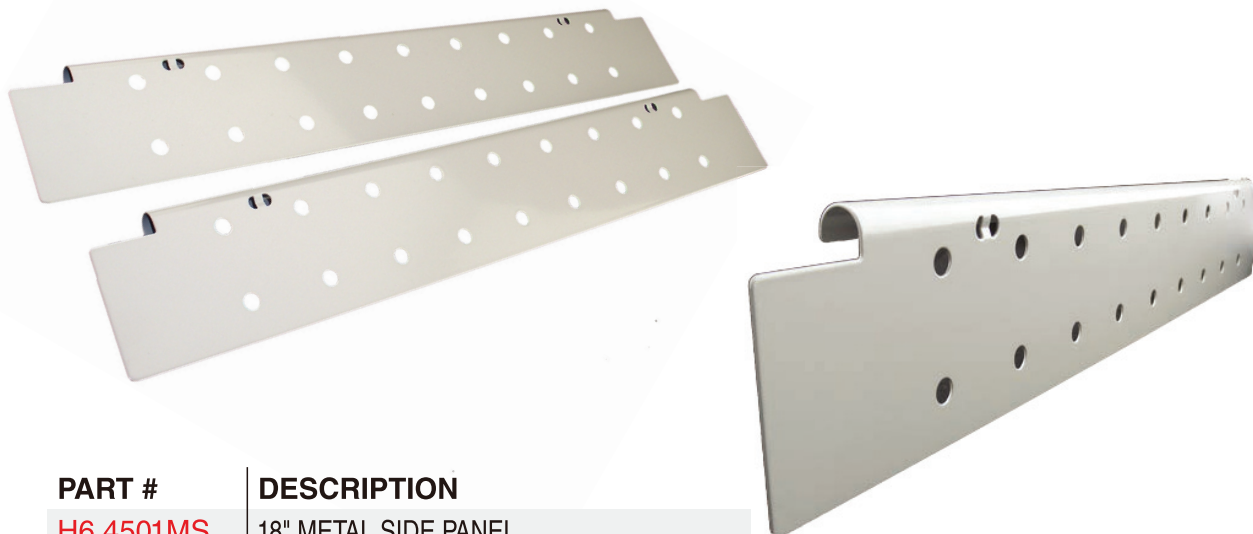
Closet and Furniture Hardware



Grommets

Kitchen Accessories

Melamine



Shop Supplies

PART #	DESCRIPTION
H6.4501MS	18" METAL SIDE PANEL
H6.5001MS	20" METAL SIDE PANEL
H6.5501MS	22" METAL SIDE PANEL

USE WITH **25-509DR, 25-511DR, 25-516DR, 25-509DR2,**
Or **25-511DR2** DOUBLE WALL SLIDE

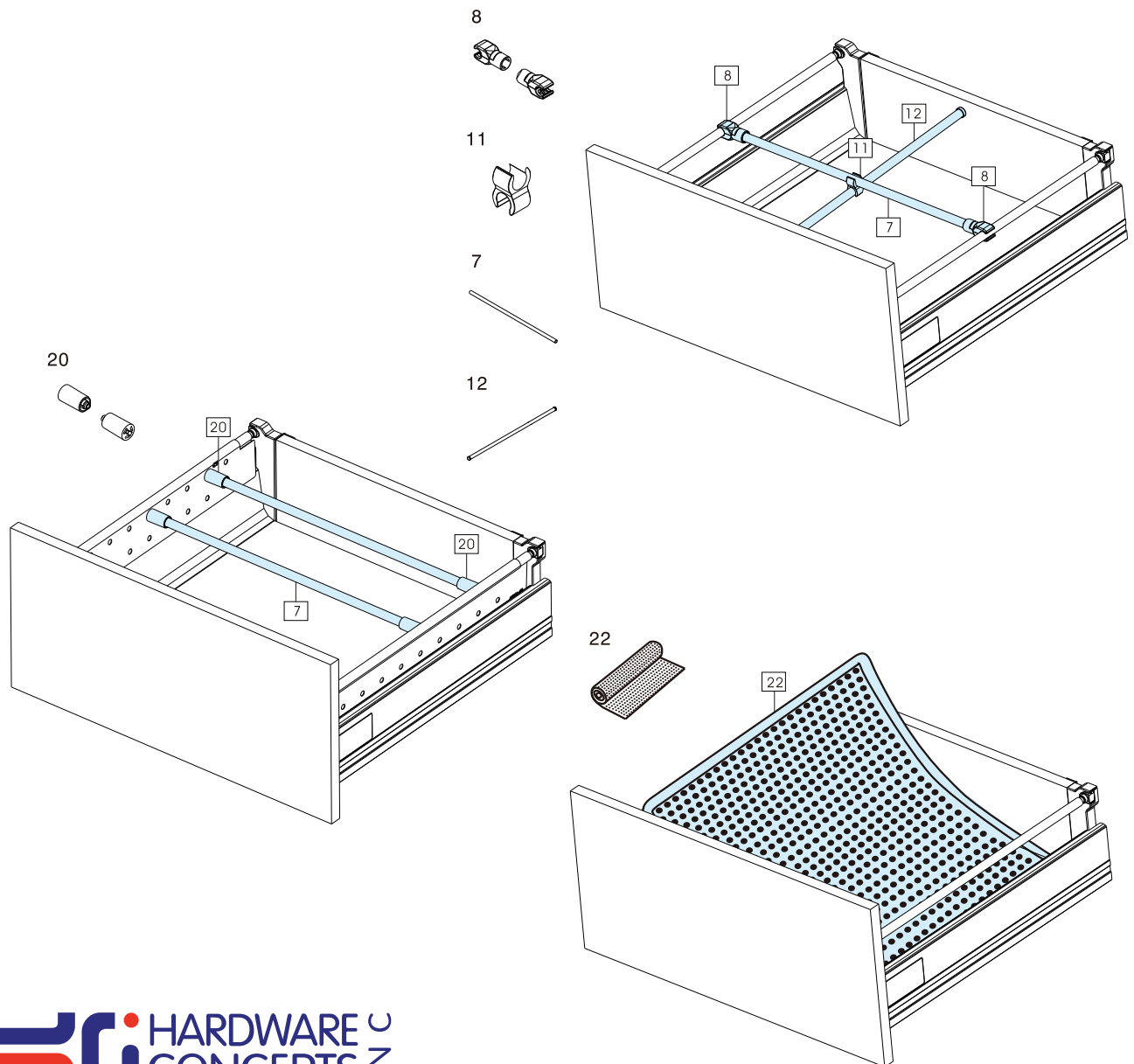


SLIDES

Double Wall Undermount Soft-Close

Under mount Soft Close Accessories

PART #	DESCRIPTION	DIA.
H6.01042D	DOUBLE-WALL CROSS RAIL CONNECTOR	8
H6.01046D	DOUBLE-WALL DIVIDER RAIL CONNECTOR	11
H6.01043D	DOUBLE-WALL DIVIDER RAIL CONNECTOR 1100MM CUT TO SIZE	7
H6.01047D	DOUBLE-WALL DIVIDER RAIL	12
H6.01048D	DOUBLE-WALL CONNECTOR FOR METAL SIDES	20
H6.01500D	ANTI-SLIP MAT 500MM	22



Hinges

Drawer Slides

Pulls and Knobs

Locks, Catches, Shelf Hardware

Lights

Closet and Furniture Hardware

Grommets

Kitchen Accessories

Melamine

Shop Supplies

SLIDES

Double Wall Undermount Soft-Close

Hinges

Drawer Slides

Pulls and Knobs

Locks, Catches, Shelf Hardware

Lights

Closet and Furniture Hardware

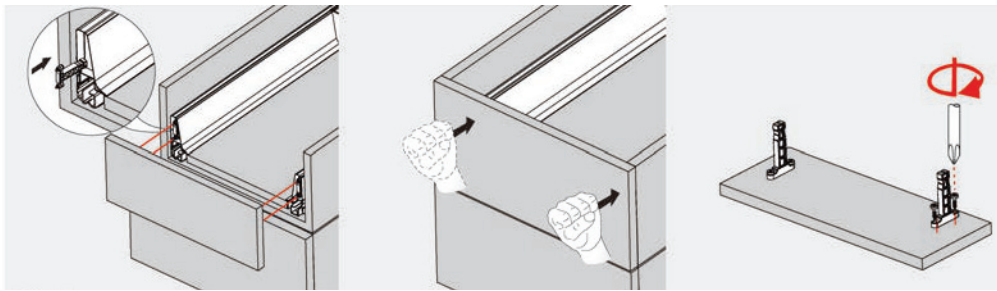
Grommets

Kitchen Accessories

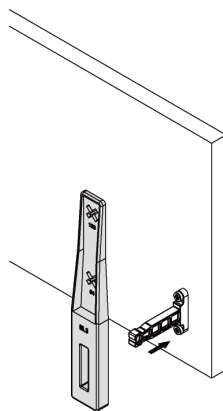
Melamine

Shop Supplies

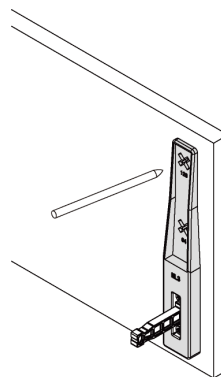
Installation Jig



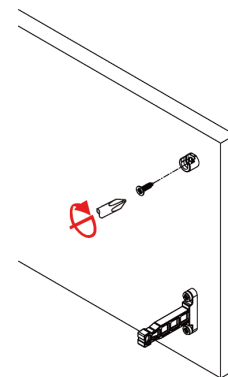
PART #	DESCRIPTION
H6.003U	DRILLING JIG
USE WITH 25-509DR, 25-511DR, 25-516DR, 25-509DR2, Or 25-511DR2 DOUBLE WALL SLIDE	



① Fix front bracket



② Mark the position of the railings



③ Fix the dowel of the railing with screw into the drawer front





Soft Close Drawer Slides

SLIDES

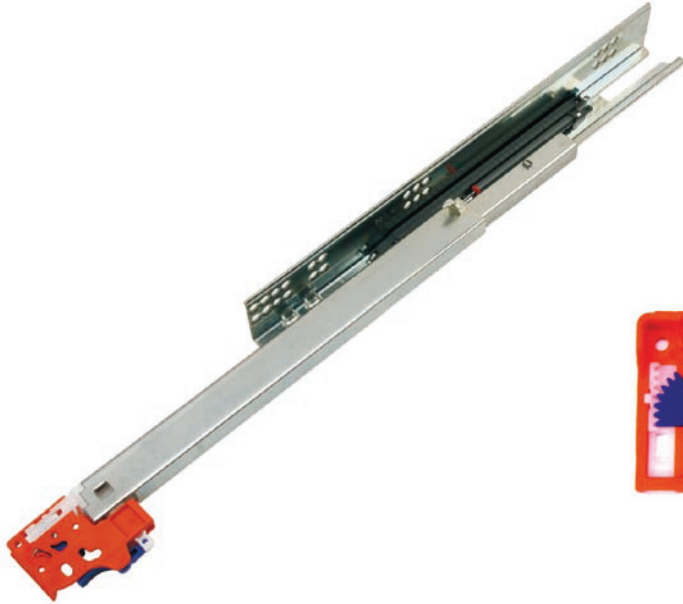
Soft-Close Undermount

Hinges Full Extension Undermount Slides for Frame and Frameless Cabinets
(with locking device and damper)
(Max Drawer Side Thickness: 16mm)

Drawer Slides

- LOAD capacity:25kg
- Finish: zinc plated
- Length:229-533mm
- Full extension
- Tool free assembly and removal of drawer
- Silent system guarantees smooth run without noise
- Drawer height adjustment: 0 - +3mm

Pulls and Knobs



Locks, Catches, Shelf Hardware

Lights

Closet and Furniture Hardware

Grommets



Kitchen Accessories

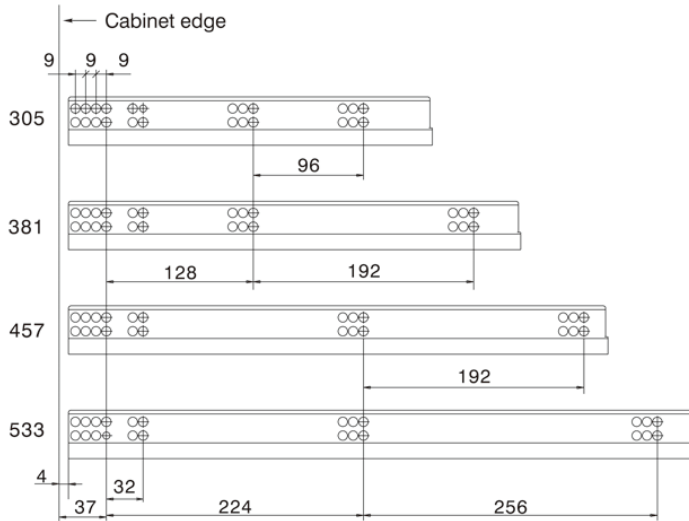
Melamine

Shop Supplies

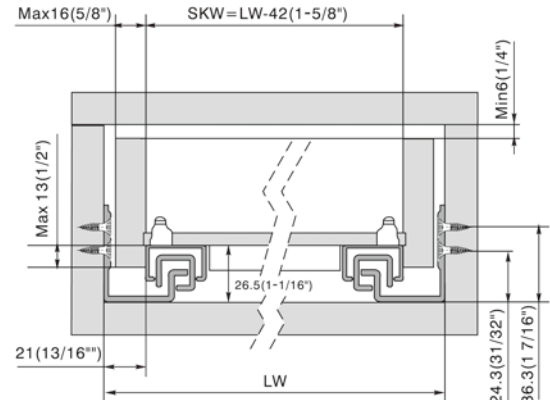
ORDER NUMBER	DESCRIPTION
25-911	LEFT & RIGHT FRONT RELEASE BRACKET
25-905	12" SOFT CLOSE FULL EXTENSION SLIDE
25-907	15" SOFT CLOSE FULL EXTENSION SLIDE
25-909	18" SOFT CLOSE FULL EXTENSION SLIDE
25-910	21" SOFT CLOSE FULL EXTENSION SLIDE
	PUSH TO OPEN
25-905PUSH	12" FULL EXTENSION SLIDE
25-907PUSH	15" FULL EXTENSION SLIDE
25-909PUSH	18" FULL EXTENSION SLIDE
25-910PUSH	21" FULL EXTENSION SLIDE



Soft-Close Undermount



SKW = Internal Drawer Width LW = Internal Cabinet Width



Hinges

Drawer Slides

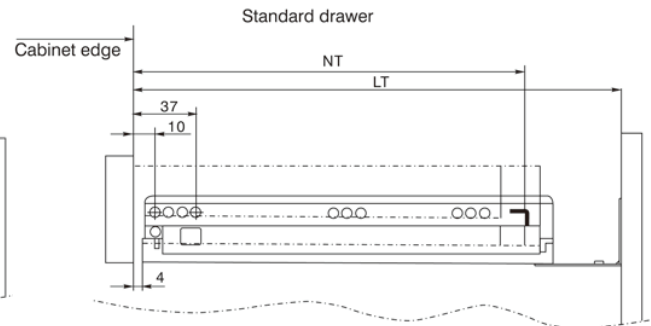
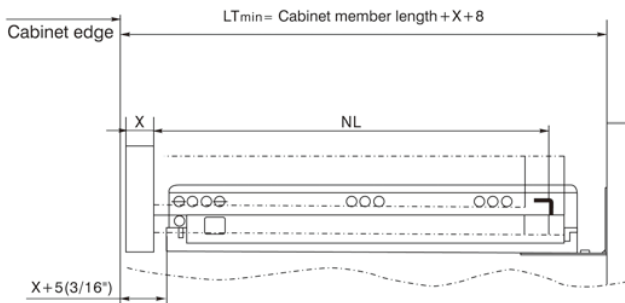
Pulls and Knobs

Locks, Catches, Shelf Hardware

Lights

NL = Nominal Slide Length LT = Internal cabinet Depth

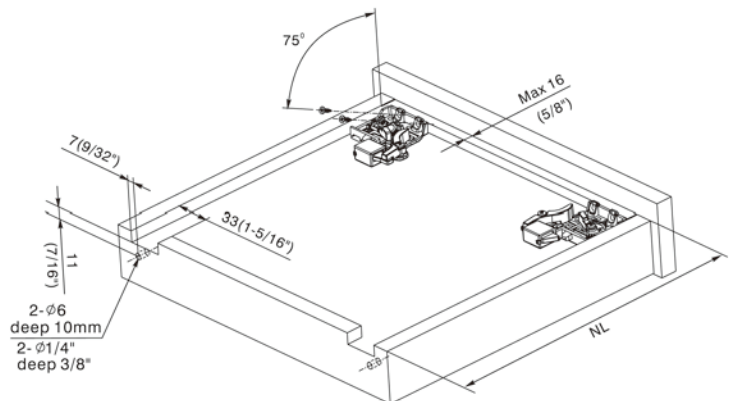
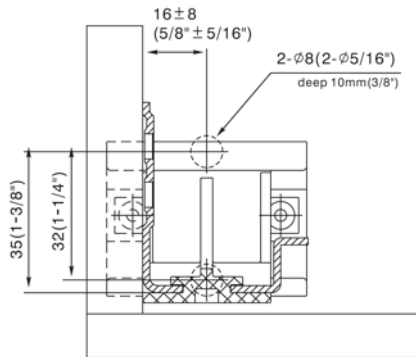
Inner drawer



Closet and Furniture Hardware

Grommets

Plastic Rear Mounting Bracket



Kitchen Accessories

Melamine

Shop Supplies

SLIDES

Soft-Close Full Extension Side Mount

Hinges

Drawer Slides

Pulls and Knobs

Locks, Catches, Shelf Hardware

Lights

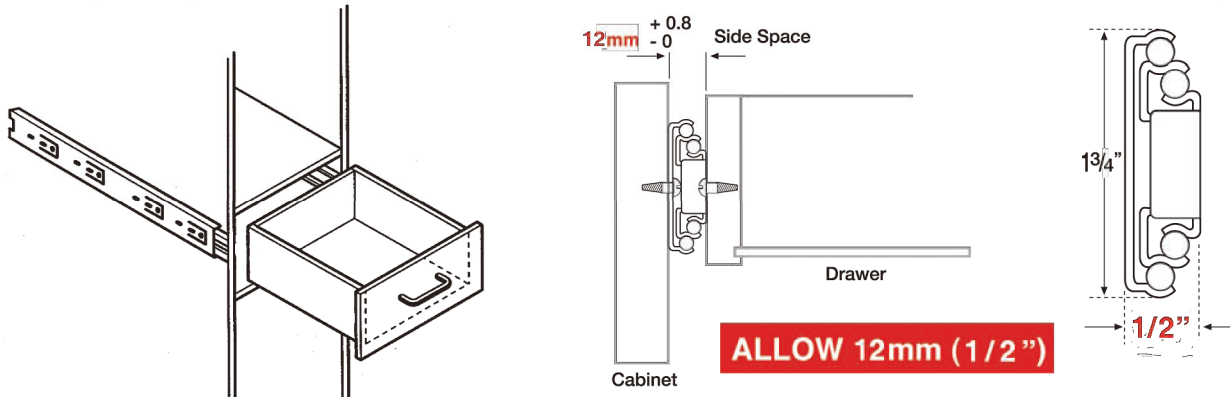
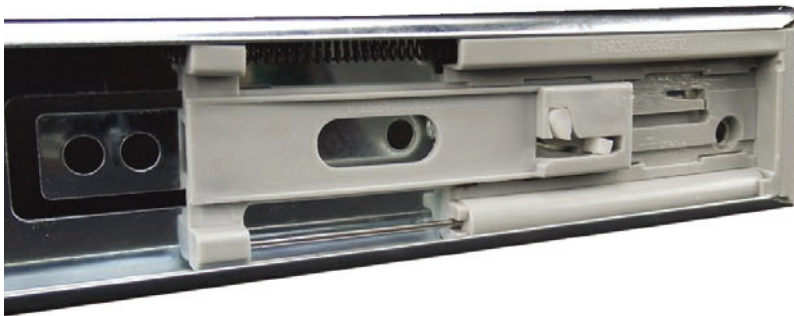
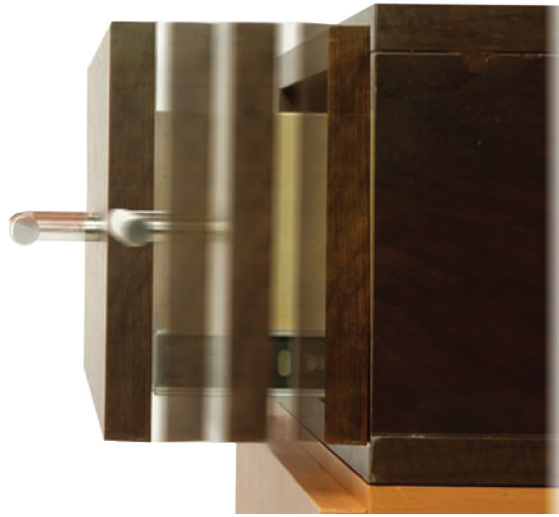
Closet and Furniture Hardware

Grommets

Kitchen Accessories

Melamine

Shop Supplies



ORDER NUMBER

DESCRIPTION

25-240	12" SOFT CLOSING FULL EXTENSION SLIDE
25-242	14" SOFT CLOSING FULL EXTENSION SLIDE
25-244	16" SOFT CLOSING FULL EXTENSION SLIDE
25-246	18" SOFT CLOSING FULL EXTENSION SLIDE
25-248	20" SOFT CLOSING FULL EXTENSION SLIDE
25-250	22" SOFT CLOSING FULL EXTENSION SLIDE



SLIDES

70 Lb. Full Extension Ball Bearing Slide

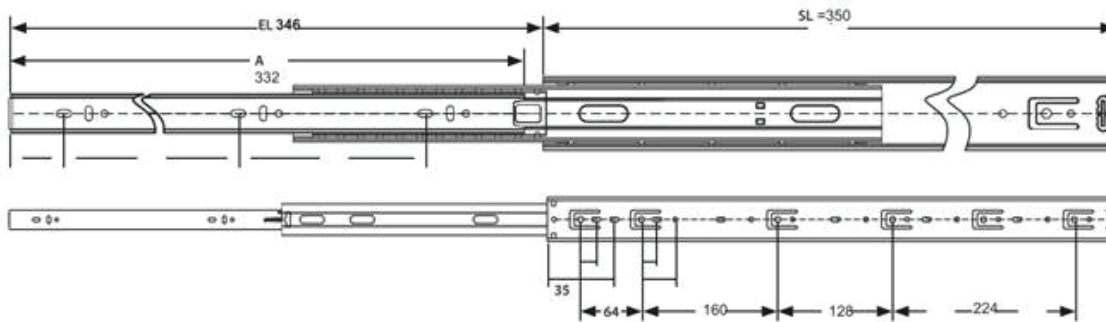


10 pair per box

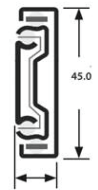
Material: Steel Cold Rolled
 Closing: Non-Self closing
 Opening: Telescopic Full Extension
 Color: Zinc Plated
 Available Sizes: 14"-22"
 Thickness: 12.7mm

Part #	Description
6.1401-ZP	HCI 14" ECONOMY FULL EXTENSION SLIDE 70LB
6.1601-ZP	HCI 16" ECONOMY FULL EXTENSION SLIDE 70LB
6.1801-ZP	HCI 18" ECONOMY FULL EXTENSION SLIDE 70LB
6.2001-ZP	HCI 20" ECONOMY FULL EXTENSION SLIDE 70LB
6.2201-ZP	HCI 22" ECONOMY FULL EXTENSION SLIDE 70LB

Drilling pattern



Installation guide



Hinges

Drawer Slides

Pulls and Knobs

Locks, Catches, Shelf Hardware

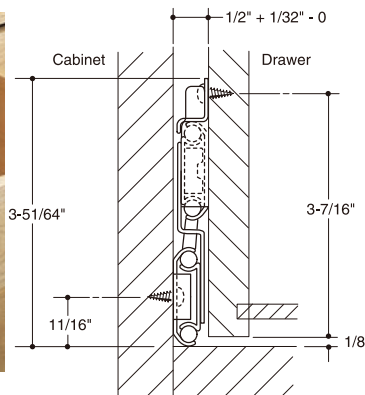
Lights

Closet and Furniture Hardware

Grommets

150 Lb. Full Extension Drawer Slide

150 lb. Capacity, Heavy Duty, Nylon Wheel, Steel Ball Bearings



Description

- Side mount, 3-51/64" height
- Requires 1/2", + 1/32", - 0" clearance on each side
- Cold rolled steel, zinc plated
- Non-handed "Quick-disconnect" drawer member, positive lock-in device to prevent drawers from falling out in shipping

ORDER NUMBERS

16"25-176
 18"25-178
 20"25-180
 22"25-182

Hettich
INTERNATIONAL

Kitchen Accessories

Melamine

Shop Supplies

SLIDES

500 Lb. Super Duty Drawer Slides

Hinges

Drawer Slides

Pulls and Knobs

Locks, Catches, Shelf Hardware

Lights

Closet and Furniture Hardware

Grommets

Kitchen Accessories

Melamine

Shop Supplies

Features:

- Spring loaded locking system ensures positive lock
- Precision ball bearings
- Cushioned in-stop for noise absorption
- Non-disconnect
- Steel ball cage for higher load and impact implications

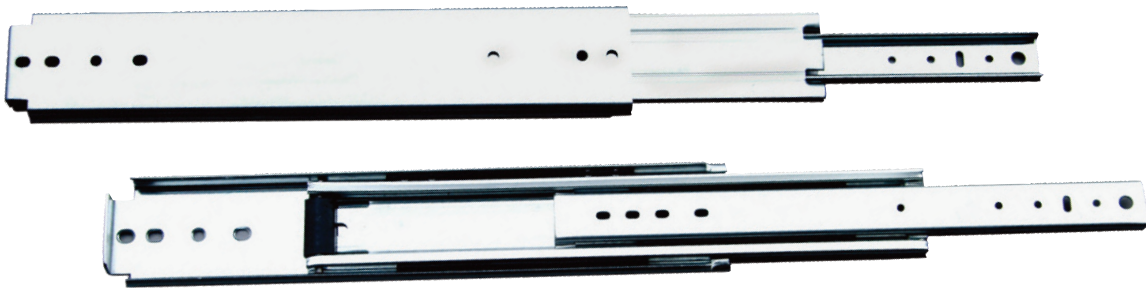
ORDER NUMBERS

12".....	25-352	22".....	25-362
14".....	25-354	24".....	25-364
16".....	25-356	26".....	25-366
18".....	25-358	28".....	25-368
20".....	25-360	30".....	25-370

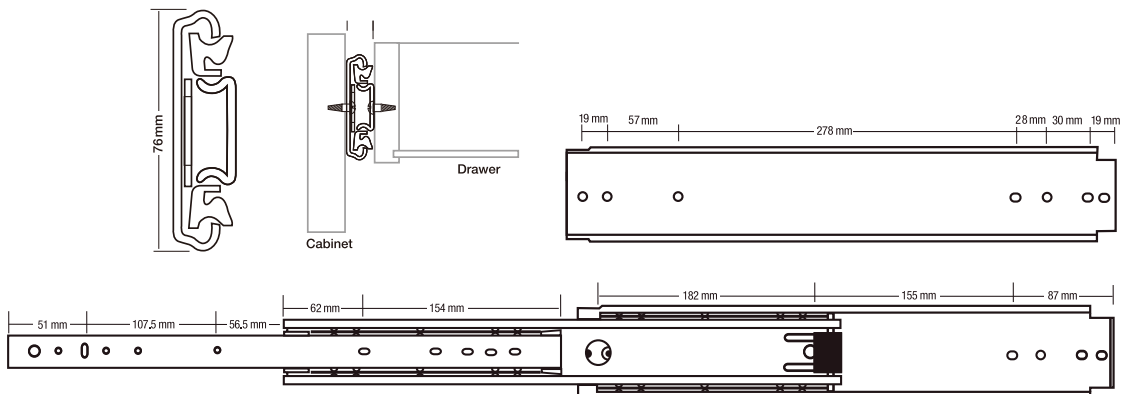
Load Rating: 300-500 lbs (136-227 kg)/pair*

* 300 lbs (136 kg)-75,000 cycles,

* 500 lbs (227 kg)-10,000 cycles



Side Space: 3/4" (19mm)



SLIDES

Stainless Steel Slides

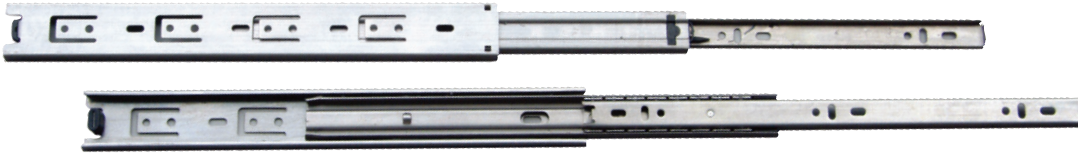
Hinges

Description

- Stainless Steel ball bearings
- Ideal for marine and outdoor applications or conditions where moisture is a factor

Drawer Slides

Pulls and Knobs



Locks, Catches, Shelf Hardware

ORDER NUMBERS

- 12"25-372
- 14"25-374
- 16"25-376
- 18"25-378
- 20"25-380
- 22"25-382
- 24"25-384

Lights

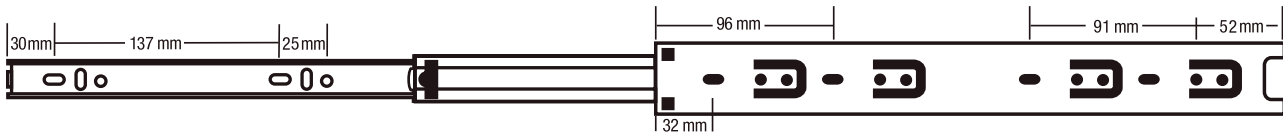
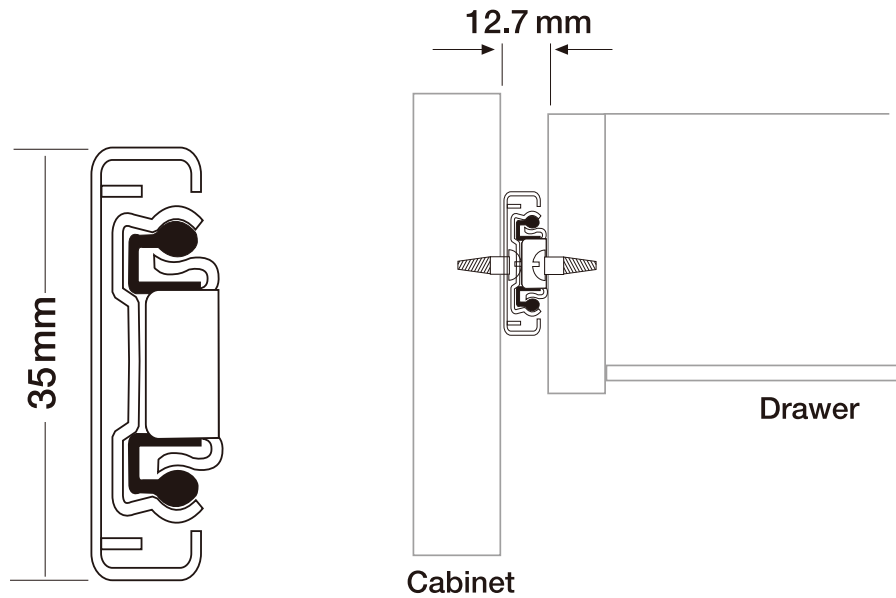
Closet and Furniture Hardware

Grommets

Kitchen Accessories

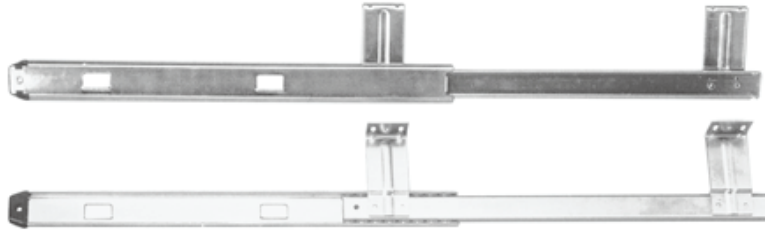
Melamine

Shop Supplies



SLIDES

Mounting Slide



UNDER SURFACE SLIDE

- **Height Adjustment:** Positive hold-out and hold-in lock
- **Features:** Front edge beveled for user protection
- **LOAD rate:** 60 lbs. per pair based on 16" slides in normal usage
- **Mounting:** Top Mounting with holes for #8 pan head screws.

ORDER NUMBERS

16" 25-576
18" 25-578

Hinges

Drawer Slides

Pulls and Knobs

Locks, Catches, Shelf Hardware

Lights

Closet and Furniture Hardware

Econo Keyboard Tray

with mouse-pad extension

ORDER NUMBER.....43-460



Grommets

Kitchen Accessories

Melamine

Shop Supplies

SLIDES

SOFT CLOSE SYNCHRONIZED FULL EXTENSION UNDERMOUNT SLIDE

Hinges

Drawer Slides

Pulls and Knobs

Locks, Catches, Shelf Hardware

Lights

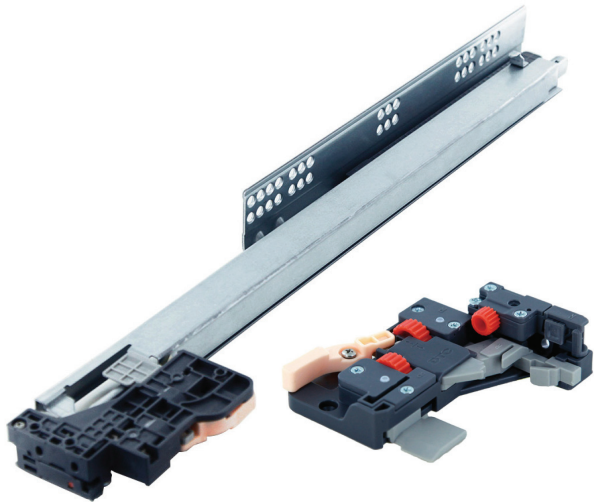
Closet and Furniture Hardware

Grommets

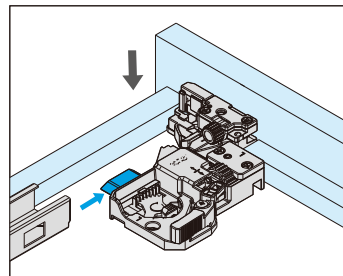
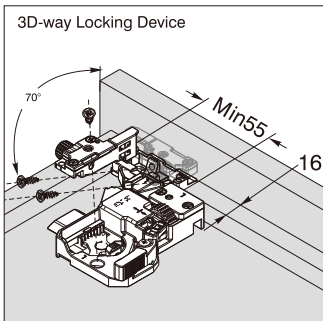
Kitchen Accessories

Silent system guarantees smooth no noise soft-closing operation.

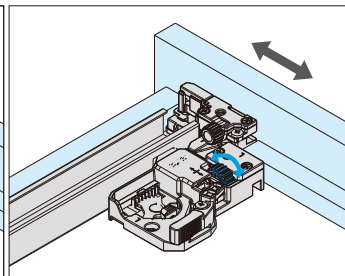
- 6-Way Adjustable Clip
- 32mm system drilling
- Tool free assembly and removal
- Limited lifetime warranty
- Dynamic Load Capacity: 40kg (90 lbs)



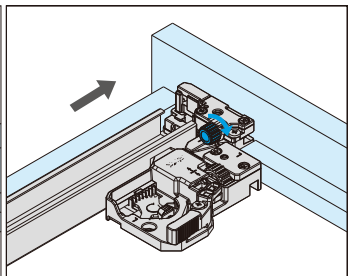
Locking Device



Height adjustment



Side adjustment



Depth adjustment

PART #	DESCRIPTION
25-910H	SOFT CLOSE SYNCHRONIZED FULL EXTENSION UNDERMOUNT SLIDE 250MM **
25-912H	SOFT CLOSE SYNCHRONIZED FULL EXTENSION UNDERMOUNT SLIDE 300MM **
25-914H	SOFT CLOSE SYNCHRONIZED FULL EXTENSION UNDERMOUNT SLIDE 350MM
25-916H	SOFT CLOSE SYNCHRONIZED FULL EXTENSION UNDERMOUNT SLIDE 400MM
25-918H	SOFT CLOSE SYNCHRONIZED FULL EXTENSION UNDERMOUNT SLIDE 450MM
25-920H	SOFT CLOSE SYNCHRONIZED FULL EXTENSION UNDERMOUNT SLIDE 500MM
25-922H	SOFT CLOSE SYNCHRONIZED FULL EXTENSION UNDERMOUNT SLIDE 550MM
25-911H	3-WAY ADJUSTABLE CLIP LOCKING DEVICE / SET

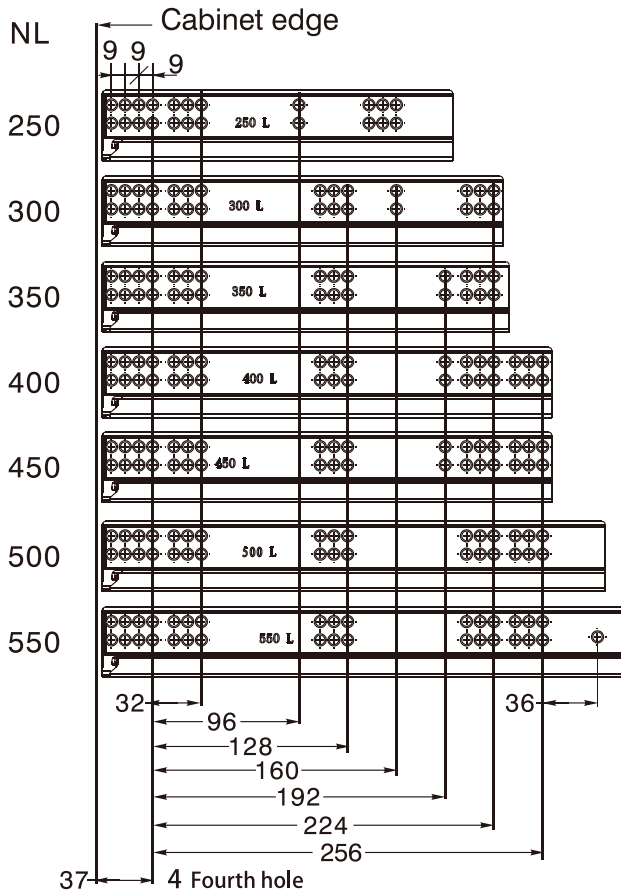
** COMING SOON **

The 6-Way Adjustable Clip provides for 0-2.5mm Height, 0-3mm Depth, and +/- 1.5mm Lateral adjustments.

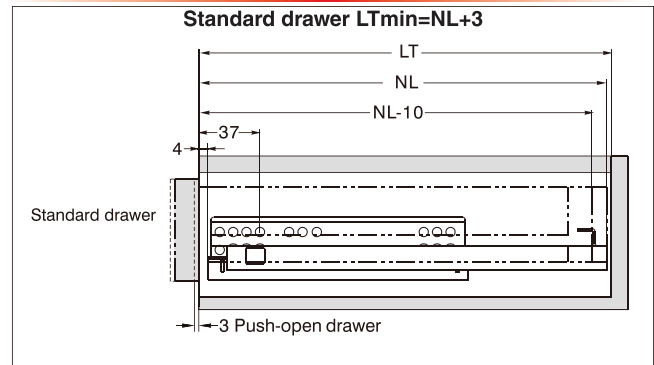


SLIDES

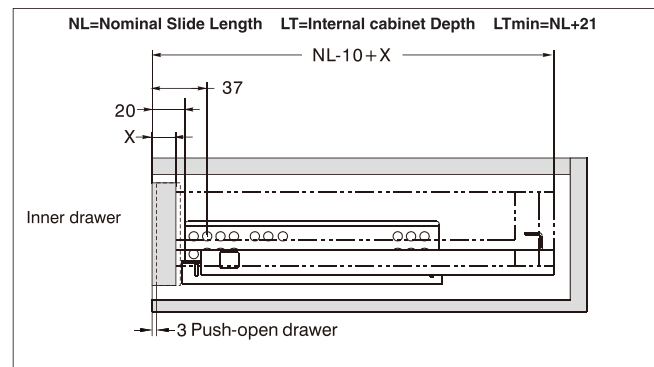
Installation Dimensions



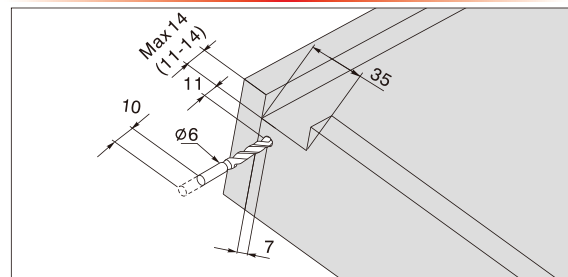
Standard Drawer



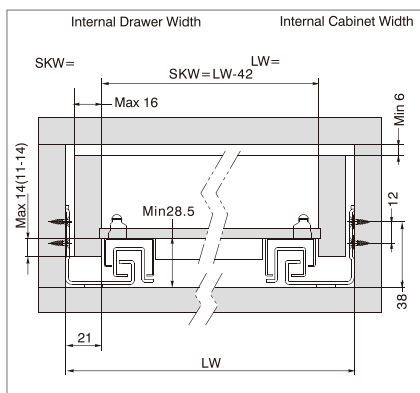
Inner Drawer



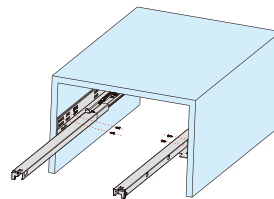
Drawer Back Panel



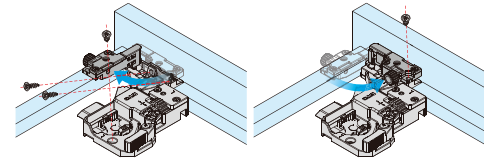
Drawer Side Thickness Max 16mm



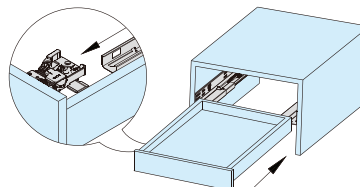
1. Fix the slide onto the cabinet.



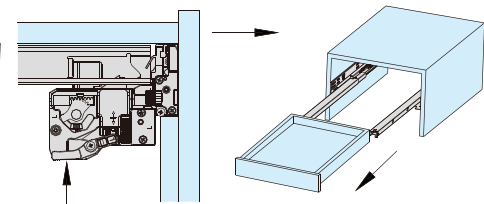
2. Move out the adjusting part and fix the locking device onto the drawer bottom. Put the adjusting part back and tighten the screws.



3. Lay the drawer bottom onto the slide then push the drawer into the cabinet.



4. For removal, press and hold the handle and pull out the drawer.



Hinges

Drawer Slides

Pulls and Knobs

Locks, Catches, Shelf Hardware

Lights

Closet and Furniture Hardware

Grommets

Kitchen Accessories

Melamine

Shop Supplies

SLIDES

Adjustable Mounting Keyboard Slides

Hinges

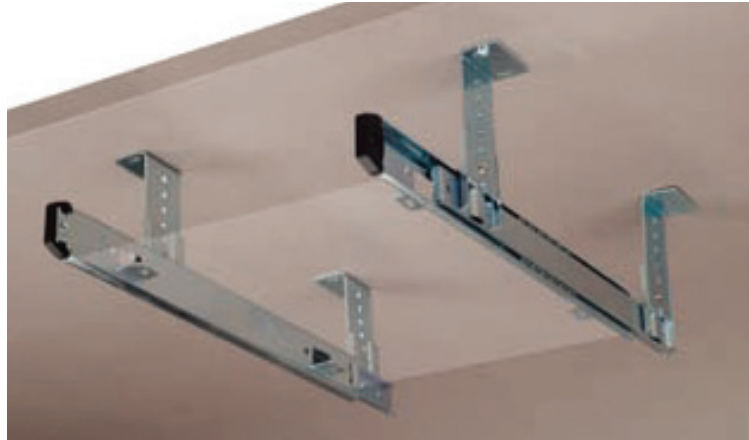
Drawer Slides

Pulls and Knobs

Locks, Catches, Shelf Hardware

Lights

- **Height Adjustment:** Mounting brackets adjust 2-3/8" to 3-5/8"
- **Features:** Friction locking, front edge beveled for user protection
- **LOAD rate:** 60 lbs. per pair based on 16" slides in normal usage
- **Mounting:** Top Mounting with holes for #8 pan head screws.



ORDER NUMBERS

14".....25-584
16".....25-586
18".....25-588

Available in black only

Closet and Furniture Hardware

CPU Holders

Grommets

Kitchen Accessories

Melamine

Shop Supplies

Features

- Unit mounts underneath desk top
- CPU is secured by heavy duty adjustable straps that accommodate varying widths and heights
- Unit extends and rotates 360°
- Material: Steel with nylon straps



Order number.....43-408



Order number.....43-410

SLIDES

Description

- Extended Self-closing
- High quality epoxy coating
- Extra 32 mm installation holes
- 75 lb. capacity

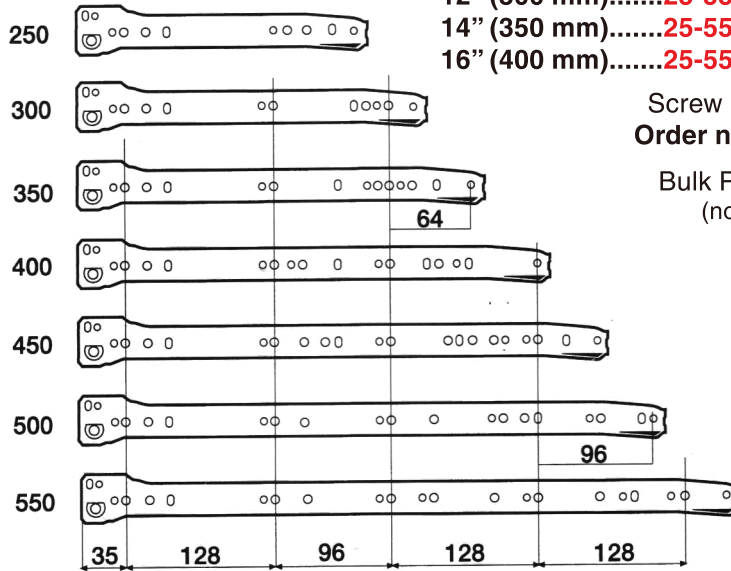
Econo Slides

ORDER NUMBERS

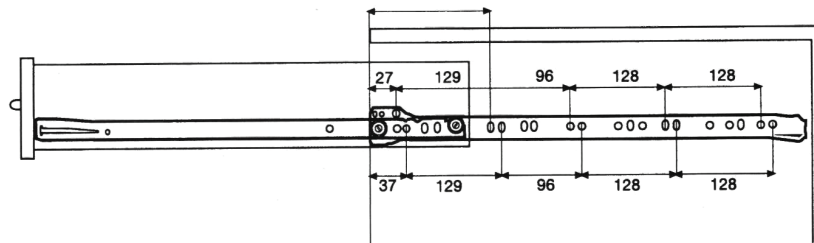
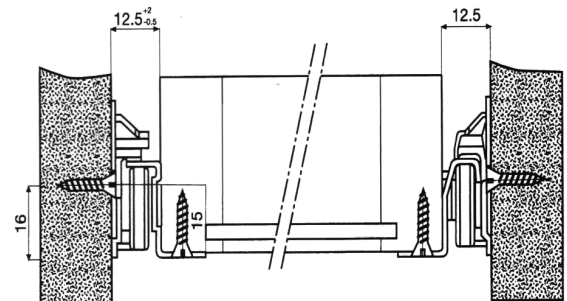
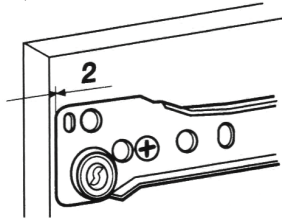
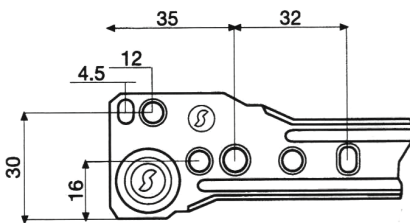
12" (300 mm).....	25-552	18" (450 mm).....	25-558
14" (350 mm).....	25-554	20" (500 mm).....	25-560
16" (400 mm).....	25-556	22" (550 mm).....	25-562

Screw Size 6 x 1/2"
Order no.**19-664**

Bulk Pack 25 Pair
(no screws)



MOUNTING FEATURES



Hinges

Drawer Slides

Pulls and Knobs

Locks, Catches, Shelf Hardware

Lights

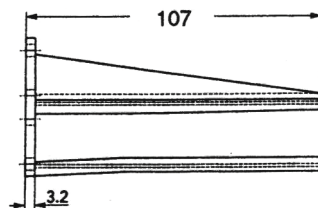
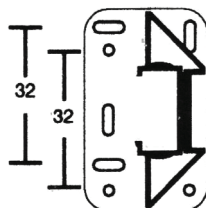
Closet and Furniture Hardware

Grommets

Kitchen Accessories

Melamine

Rear Mount Bracket for Samet



Order number (pair)..... **26-914**

Shop Supplies

SLIDES

Symmetrical Distance Block

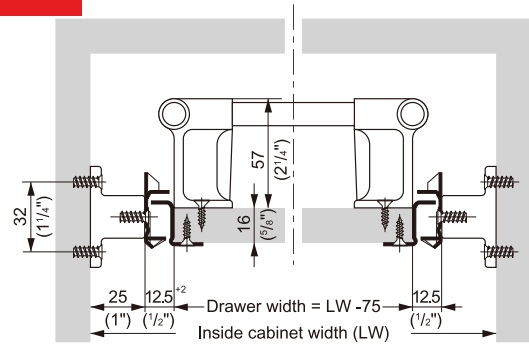
Hinges

Drawer Slides

Pulls and Knobs

Locks, Catches, Shelf Hardware

Lights



To provide side clearance for interior drawers and Pull-out shelves.

Plastic, white.....25-312

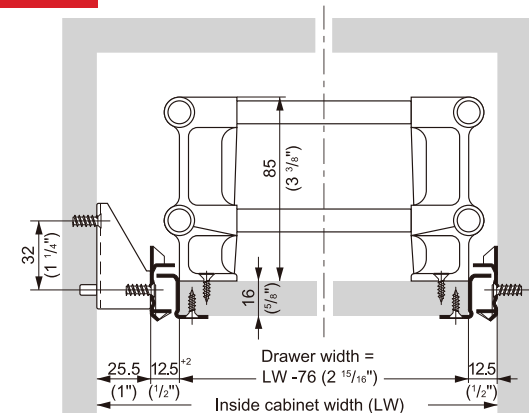
Closet and Furniture Hardware

Asymmetrical Distance Block

Grommets

Kitchen Accessories

Melamine



To provide side clearance for interior drawers and Pull-out shelves.

Plastic, white.....25-340

Shop Supplies

KITCHEN ACCESSORIES

Magic Pro Dragon Box

Our new Magic Pro is a slim straight sided drawer system with a dynamic load capacity of 40kg, Tool free assembly and removal as well as an integrated silent mechanism that provides a smooth slide extension without noise. It's 3D adjustment provides up and down, left and right of 1mm and tilt adjustment of 1.5 to 2.5mm. Available in Silk White finish

- ⇒ Concealed full extension
- ⇒ Dynamic load capacity of 40kg
- ⇒ Tool free assembly
- ⇒ 3D Adjustment
- ⇒ Silent system for optimal noise free operation



Hinges

Drawer Slides

Pulls and Knobs

Locks, Catches, Shelf Hardware

Lights

Closet and Furniture Hardware

Grommets



Inner dividers not included or offered

Available in:
88mm Height:
350mm-550mm

172mm Height:
350mm-550mm

New Slim High Straight Side Wall Metal Drawer System (Dragon Box)

Kitchen Accessories

Melamine

Shop Supplies

KITCHEN ACCESSORIES

Magic Pro Dragon Box

Hinges

Drawer Slides

Pulls and Knobs

Locks, Catches, Shelf Hardware

Lights

Closet and Furniture Hardware

Grommets

Kitchen Accessories

Melamine

Shop Supplies

Part #	Description
26-700	Soft Close 350mm Magic Pro Slim Box Full Extension Slides 88mm(H)
26-702	Soft Close 400mm Magic Pro Slim Box Full Extension Slides 88mm(H)
26-704	Soft Close 450mm Magic Pro Slim Box Full Extension Slides 88mm(H)
26-706	Soft Close 500mm Magic Pro Slim Box Full Extension Slides 88mm(H)
26-708	Soft Close 550mm Magic Pro Slim Box Full Extension Slides 88mm(H)
26-720	Soft Close 350mm Magic Pro Slim Box Full Extension Slides 172mm(H)
26-722	Soft Close 400mm Magic Pro Slim Box Full Extension Slides 172mm(H)
26-724	Soft Close 450mm Magic Pro Slim Box Full Extension Slides 172mm(H)
26-726	Soft Close 500mm Magic Pro Slim Box Full Extension Slides 172mm(H)
26-728	Soft Close 550mm Magic Pro Slim Box Full Extension Slides 172mm(H)



Available in:
88mm Height:
350mm-550mm

172mm Height:
350mm-550mm

New Slim High Straight Side Wall Metal Drawer System (Dragon Box)

PLYWOOD

Drawer Sides

Drawer Sides		Thickness	Size
51-224	White Vinyl W/Groove	1/2"	4" x 96"
51-228	White Vinyl W/Groove	1/2"	6" x 96"
51-230	White Vinyl W/Groove	1/2"	8" x 96"
51-232	White Vinyl W/Groove	1/2"	10" x 96"
81-534	Pre Finished Maple Plywood W/Groove	1/2"	4" x 96"
81-536	Pre Finished Maple Plywood W/Groove	1/2"	6" x 96"
81-537	Pre Finished Maple Plywood W/Groove	1/2"	7" x 96"
81-538	Pre Finished Maple Plywood W/Groove	1/2"	8" x 96"
81-540	Pre Finished Maple Plywood W/Groove	1/2"	10" x 96"
Solid Maple Component System 5/8" Thick, Pre Finished, W/Groove		Thickness	Size
81-550	Drawer Side	5/8"	4" x 18"
81-551	Drawer Side	5/8"	4" x 21"
81-552	Front & Back	5/8"	4" x 24"
81-553	Front & Back	5/8"	4" x 30"
81-554	Front & Back	5/8"	4" x 36"
81-555	Front & Back	5/8"	4" x 40"
81-556	Drawer Side	5/8"	6" x 18"
81-557	Drawer Side	5/8"	6" x 21"
81-559	Front & Back	5/8"	6" x 21"
81-561	Front & Back	5/8"	6" x 40"
81-562	Drawer Side	5/8"	8" x 18"
81-563	Drawer Side	5/8"	8" x 18"
81-565	Front & Back	5/8"	8" x 30"
81-567	Front & Back	5/8"	8" x 40"
81-569	Drawer Side	5/8"	10" x 21"
81-571	Front & Back	5/8"	10" x 40"
Cabinet Back and Drawer Bottom		Thickness	Size
81-102	White Durabase	1/8"	4" x 8"
81-126	White Durabase	1/8"	30" x 120"

Hinges

Drawer Slides

Pulls and Knobs

Locks, Catches, Shelf Hardware

Lights

Closet and Furniture Hardware

Grommets

Kitchen Accessories

Melamine

Shop Supplies



SPECIALTY HINGES

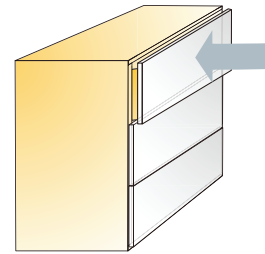
Soft Closing System for Wooden Drawer

Hinges

Titusoft WD

Soft Closing System for Wooden Drawer

For wooden drawer with roller runners



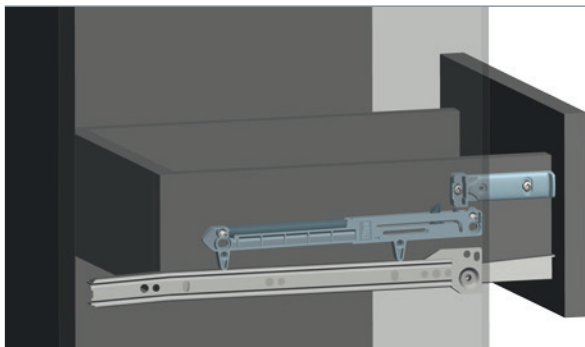
Drawer Slides

Pulls and Knobs

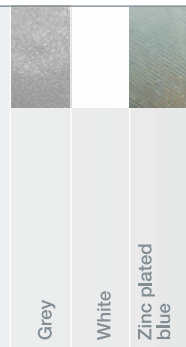
Item Number**25-400**

Locks, Catches, Shelf Hardware

Lights



Technical details



Titusoft WD

Titusoft mechanism

Item number

Grey

White

Zinc plated blue

973-0X35 >

380

Activator

973-4451 >

380

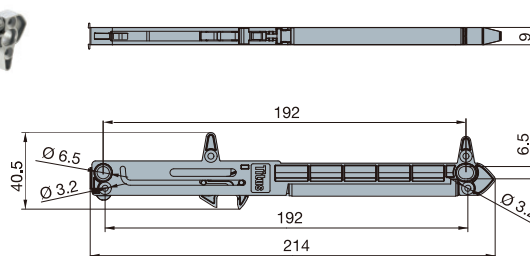
350

Closet and Furniture Hardware

Grommets



Titusoft mechanism



Bag of 1

973-0X35-380-K2 120 Bags

- 1 Titusoft mechanism
- 1 activator
- 2 screws Ø3.5mm x 20mm
- 2 screws Ø3.5mm x 12mm
- 1 Mounting instruction sheet

Bag of 2

973-0X35-380-K1 80 Bags

- 2 Titusoft housings
- 2 activators
- 4 screws Ø3.5mm x 20mm
- 4 screws Ø3.5mm x 12mm
- 1 Mounting instruction sheet

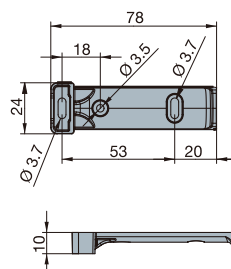
Kitchen Accessories

Melamine

Order number**14-400**



Activator



250 Pcs

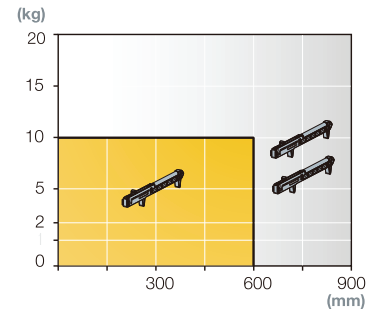
Made of plastic

SPECIALTY HINGES

Soft Closing System for Wooden Drawer

- Works with most roller runner drawer slides
- Easy, intuitive mounting
- Smooth soft closing action independent of drawer hardware
- Optimal closing speed
- Non handed design

Capacity chart



Mount 1 or 2 Titusoft mechanisms depending on drawer weight and width

Hinges

Drawer Slides

Pulls and Knobs

Locks, Catches, Shelf Hardware

Lights

Closet and Furniture Hardware

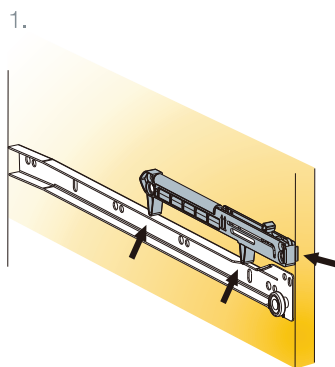
Grommets

Kitchen Accessories

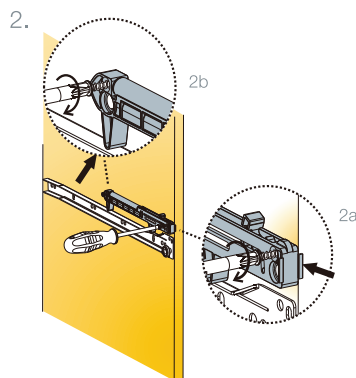
Melamine

Shop Supplies

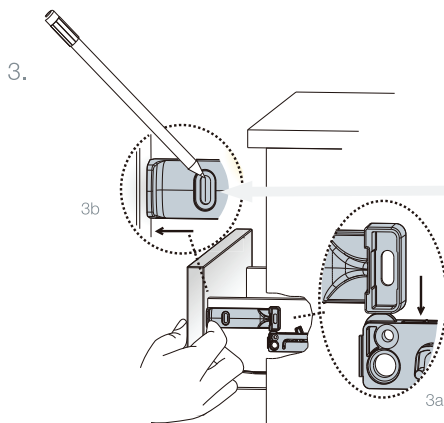
Mounting details



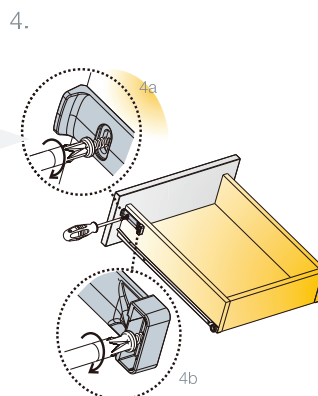
Position the Titusoft mechanism on the top of the drawer slide



Fix with 2 screws L=20mm



1. Rest the activator against the drawer front
2. Align the vertical position of the activator with the top of the Titusoft mechanism and mark the screw locations



Fix with 2 screws L=12mm



Further explanations > go to

<http://www.youtube.com/watch?v=U3aS2r6KC6k>

A trial mounting is always recommended. Please contact Titus Group or your local distributor for further technical assistance.

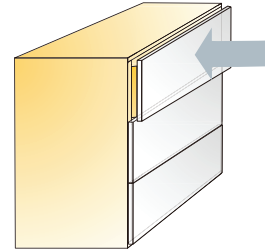
SPECIALTY HINGES

Soft Closing System for Metal Box

Hinges

Titusoft MD Soft Closing System for Metal Box

For metal boxes



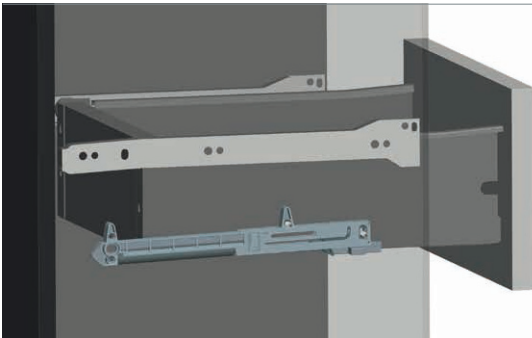
Drawer Slides

Item Number**25-402**

Pulls and Knobs

Locks, Catches, Shelf Hardware

Lights



Item number

Grey White Light blue

Titusoft MD

Titusoft mechanism for factory mounting

973-0X95 >

380

Titusoft mechanism for retrofit mounting

973-0X39 >

380

309

Activator

973-4125 >

350

Mounting jig

973-4126 >

Closet and Furniture Hardware



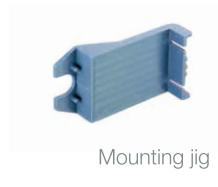
Titusoft mechanism

Grommets

Kitchen Accessories



Activator



Mounting jig

Bag of 1

973-0X39-380-K2 90 Bags

- 1 Titusoft mechanism
- 1 activator
- 1 mounting jig
- 4 screws
- 1 mounting instruction sheet

Bag of 2

973-0X39-380-K1 60 Bags

- 2 Titusoft mechanisms
- 2 activators
- 1 mounting jig
- 8 screws
- 1 mounting instruction sheet

Melamine

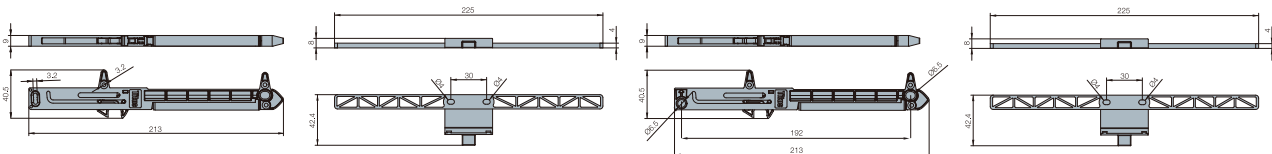
250 Pcs

Made of plastic

Technical details

Retrofit mounting

Factory mounting (system holes)



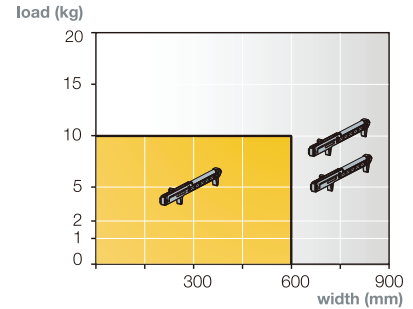
Shop Supplies

SPECIALTY HINGES

Soft Closing System for Metal Box

- 'One-for-all' soft closing for single skin metal boxes
- Allows for easy factory mounting or retrofit application
- Intuitive positioning
- Preserve the life-time of the drawer

Capacity chart



Mount 1 or 2 Titusoft mechanisms depending on drawer weight and width

Hinges

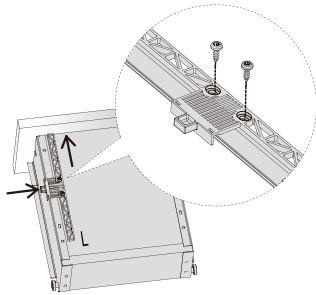
Drawer Slides

Pulls and Knobs

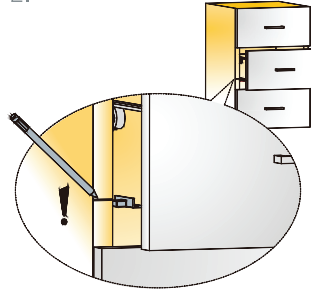
Mounting details

Retrofit mounting

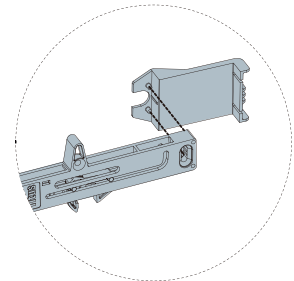
1.



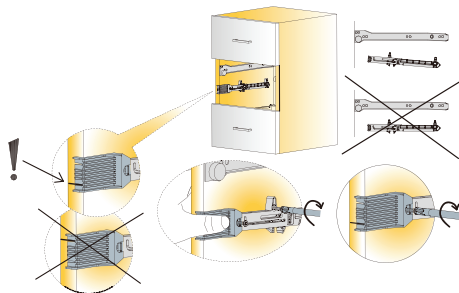
2.



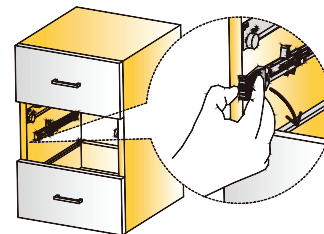
3.



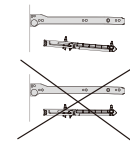
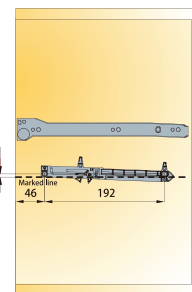
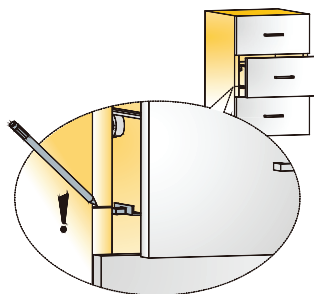
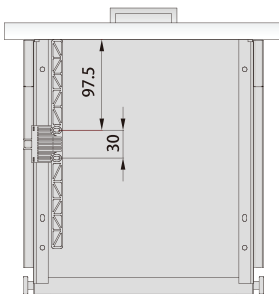
4.



5.



Factory mounting



Locks, Catches, Shelf Hardware

Lights

Closet and Furniture Hardware

Grommets

Kitchen Accessories

Melamine

Shop Supplies

Further explanations > go to



<http://www.youtube.com/watch?v=Qplq8uKGbng>

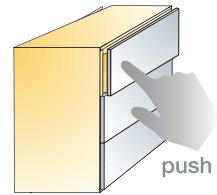
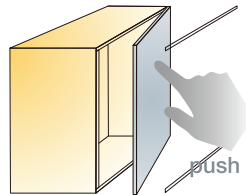
A trial mounting is always recommended. Please contact Titus Group or your local distributor for further technical assistance.

SPECIALTY HINGES

Push Latch

Hinges For wooden doors and drawers

Drawer Slides



Item Number**25-404**

Pulls and Knobs

Locks, Catches, Shelf Hardware



Lights

Push latch

Item number

Bronze

Push latch **915-0X59 >** 381

Cross m. plate **915-4183 >** 381

Linear m. plate **915-4175 >** 381

915-0X59-381-K2



Closet and Furniture Hardware



Push latch

Grommets

Kitchen Accessories

Melamine



Linear mounting plate

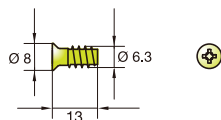


200 Pcs

Made of steel and plastic

Shop Supplies

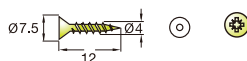
Fixing screws for mounting plates



Euro screws
821-6323-050



10000 Pcs



Chipboard screws

SPECIALTY HINGES

Push Latch

- Works with standard concealed hinges and drawers
- Effortless opening with just a light touch
- Depth adjustment ensures reliable closing and consistent performance in cases of inaccurate drilling
- 'Safety click' feature for easy detachment of the mechanism from the mounting plate

Hinges

Drawer Slides

Pulls and Knobs

Locks, Catches, Shelf Hardware

Lights

Closet and Furniture Hardware

Grommets

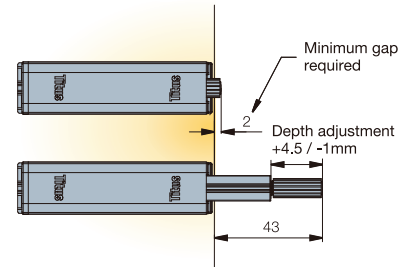
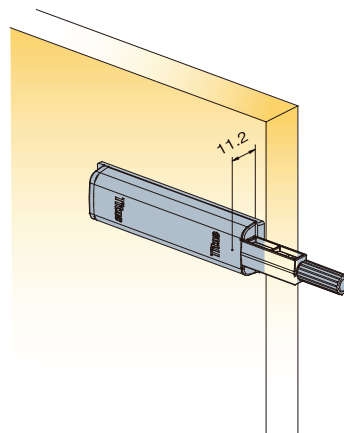
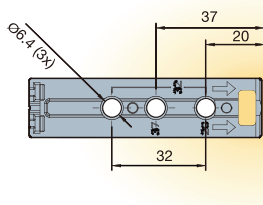
Kitchen Accessories

Melamine

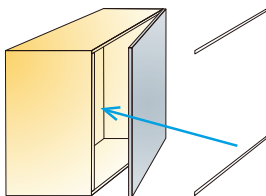
Shop Supplies

Drilling pattern

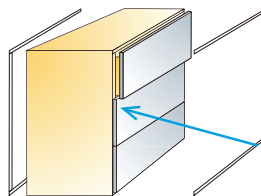
Dimensions



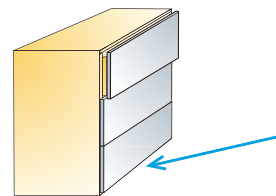
Positioning



Close to the 'touch opening point' on the side opposite to hinges



On the cabinet side; gap between drawer and cabinet side = min 12mm



On the drawer bottom; in the middle of drawer

Push latch works with standard hinges.

Push latch works on drawer; the gap between the drawer and the cabinet side = min. 12 mm

Decorative Hardware

Hardware Imagination Tech

Hinges

Drawer Slides

Pulls and Knobs

Locks, Catches, Shelf Hardware

Lights

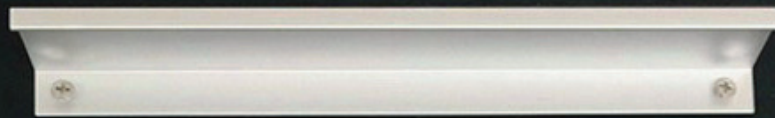
Closet and Furniture Hardware

Grommets

Kitchen Accessories

Melamine

Shop Supplies



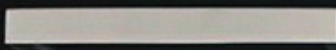
9311-244-074



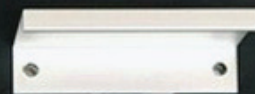
9311-150-074



9311-150-078



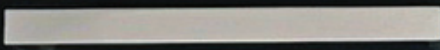
9841-96-078



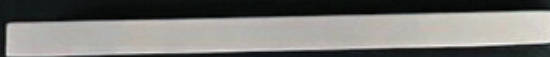
9311-075-074



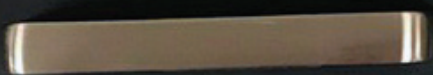
9311-075-078



9841-128-078



9841-160-078



2899-96-078



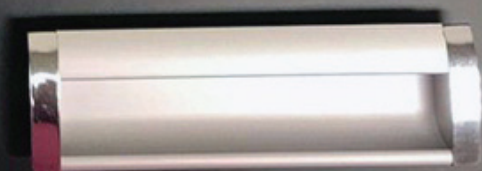
9540-128-078



2877-014M



9540-160-078



2889-128

9540-160-0RB

Decorative Hardware

Hardware Imagination Tech



Hinges

Drawer Slides

Pulls and Knobs

Locks, Catches, Shelf Hardware

Lights

Closet and Furniture Hardware

Grommets

Kitchen Accessories

Melamine

Shop Supplies

Decorative Hardware

Decorative

Hinges

Part #	Size	Finish
9311-045-074	32mm CC, 45mm OA	Anodized Aluminum
9311-045-078	32mm CC, 45mm OA	Brushed Satin Nickel

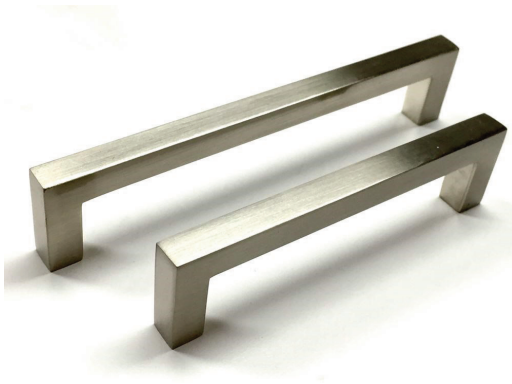
Drawer Slides

9311-075-074	64mm CC, 75mm OA	Anodized Aluminum
9311-075-078	64mm CC, 75mm OA	Brushed Satin Nickel
9311-150-074	128mm CC, 150mm OA	Anodized Aluminum
9311-150-078	128mm CC, 150mm OA	Brushed Satin Nickel
9311-244-074	224mm cc, 244mm OA	Anodized Aluminum



Pulls and Knobs

Locks, Catches, Shelf Hardware



Lights

Part #	Size	Finish
9848-96-078	96mm CC	Brushed Nickel
9848-128-078	128mm CC	Brushed Nickel
9848-160-078	160mm CC	Brushed Nickel

Closet and Furniture Hardware

Part #	Size	Finish
9844-96-078	96mm CC	Brushed Nickel
9844-128-078	128mm CC	Brushed Nickel
9844-160-078	160mm CC	Brushed Nickel
9844-192-078	192mm CC	Brushed Nickel



Grommets

Kitchen Accessories

Melamine

Shop Supplies

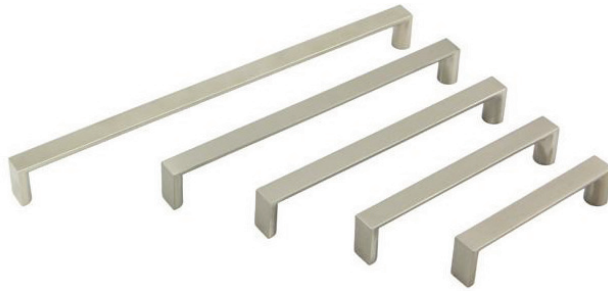
Part #	Size	Finish
9546-96-078	96mm CC	Brushed Nickel
9546-128-078	128mm CC	Brushed Nickel
9546-224-078	224mm CC	Brushed Nickel



Decorative Hardware

Decorative

Part #	Size	Finish
9841-96-078	96mm CC	Brushed Nickel
9841-128-078	128mm CC	Brushed Nickel
9841-160-078	160mm CC	Brushed Nickel



Hinges

Drawer Slides



Part #	Size	Finish
9540-128-078	128mm CC, 169mm OA	Brushed Nickel
9540-160-078	160mm CC, 169mm OA	Brushed Nickel
9540-160-ORB	160mm CC, 169mm OA	Oil Rubbed Bronze

Pulls and Knobs

Locks, Catches, Shelf Hardware

Part #	Size	Finish
9583-160-078	160mm CC	Brushed Nickel



Lights

Closet and Furniture Hardware

Grommets



Only available in Brushed Nickel and Oil Rubbed Bronze

Kitchen Accessories

Melamine

Part #	Size	Finish
9550-160-078	160mm CC, 191mm OA	Brushed Nickel
9550-160-ORB	160mm CC, 191mm OA	Oil Rubbed Bronze

Shop Supplies

Decorative Hardware

Decorative

Hinges

Drawer Slides

Pulls and Knobs



Part #	Size	Finish
9556-96-078	96mm CC	Brushed Nickel

Locks, Catches, Shelf Hardware

Lights

Closet and Furniture Hardware



Part #	Size	Finish
2877-014M	128mm X 143.5mm X 33.5mm	Matted Black

Grommets

Kitchen Accessories

Melamine

Shop Supplies



Part #	Size	Finish
2889-128	128mm X 140mm X 42.5mm	Dual finish, Satin Chrome body with polish chrome side edges

Decorative Hardware



Decorative



Part #	Size	Finish
9553-16-078	26mm X 25mm X 25mm	Brushed Nickel
9553-16-ORB	26mm X 25mm X 25mm	Oil Rubbed Bronze

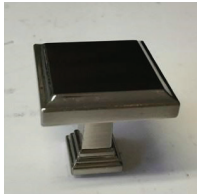


Part #	Size	Finish
9787-33-078	33mm X 33mm X 31mm	Brushed Nickel

Image for style purposes only, Knob available in Brushed Nickel finish only



Part #	Size	Finish
9723-35-078	35mm X 35mm	Brushed Nickel



Part #	Size	Finish
9791-33-078	33mm X 33mm X 31mm	Brushed Nickel



Part #	Size	Finish
9745-30-ORB	30mm X 30mm X 25mm	Oil Rubbed Bronze

Decorative / Visual Hardware

Many stock options to choose from

In addition we will be happy to Special Order any of the thousands of designs from Liberty Hardware

Hinges

Drawer Slides

Pulls and Knobs

Locks, Catches, Shelf Hardware

Lights

Closet and Furniture Hardware

Grommets

Kitchen Accessories

Melamine

Shop Supplies

Decorative Hardware

304 STAINLESS STEEL PullIBARS

Hinges

Drawer Slides

Pulls and Knobs



Features

- Type 304 Stainless Steel
- 12mm bar with 10mm feet
- 10 sizes
- Overall lengths 5-3/4" to 34"

Locks, Catches, Shelf Hardware

Lights

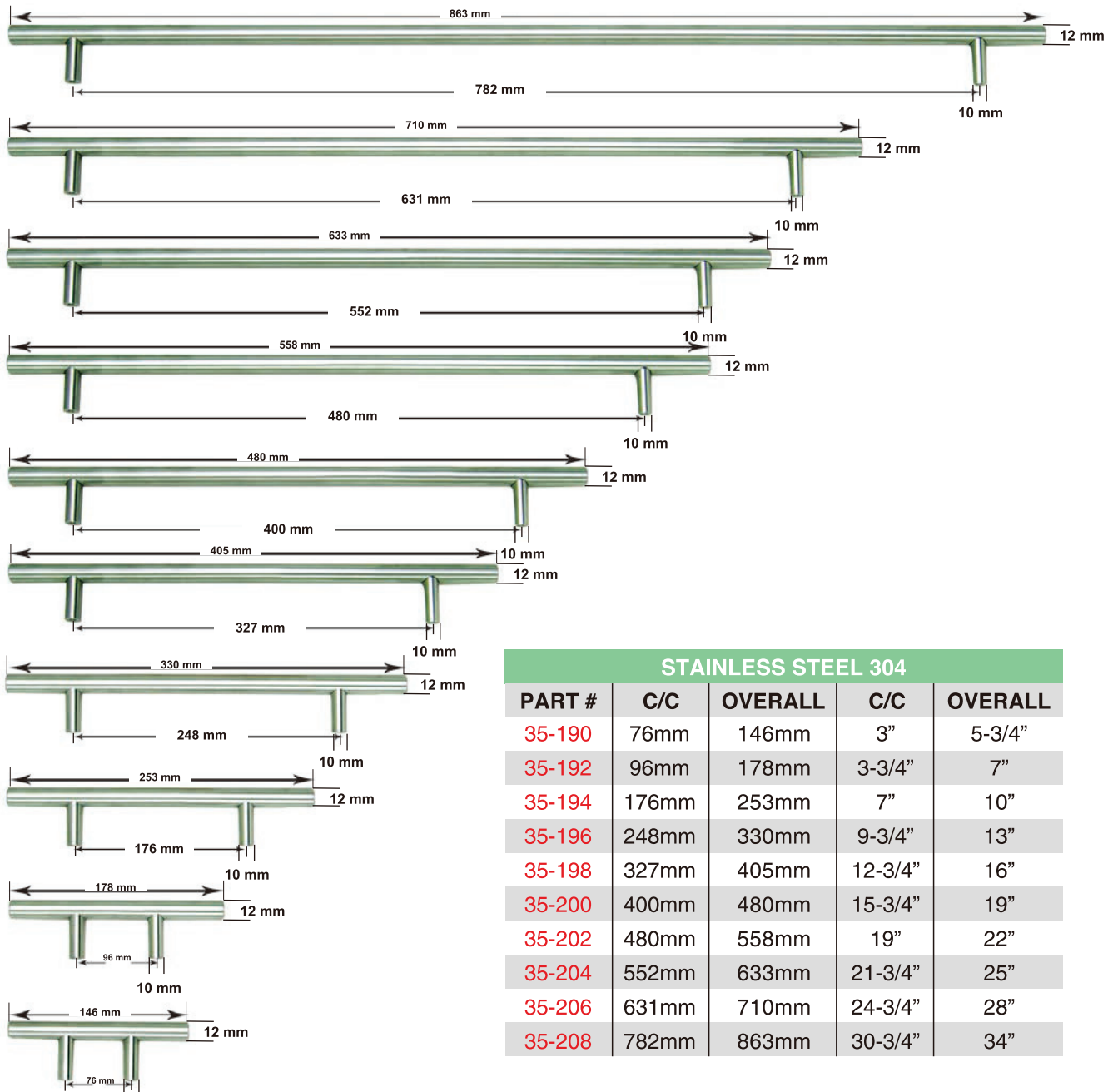
Closet and Furniture Hardware

Grommets

Kitchen Accessories

Melamine

Shop Supplies

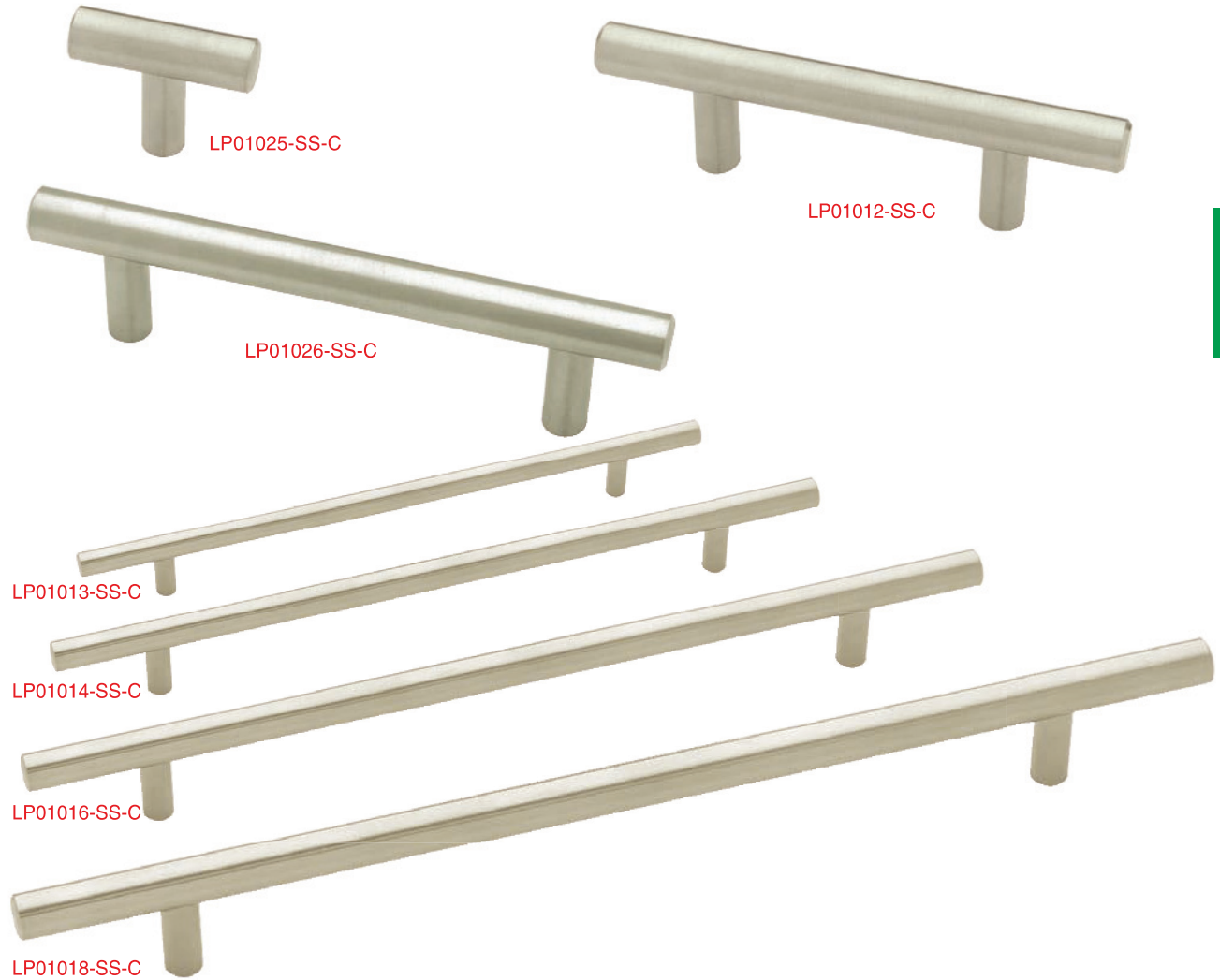


STAINLESS STEEL 304				
PART #	C/C	OVERALL	C/C	OVERALL
35-190	76mm	146mm	3"	5-3/4"
35-192	96mm	178mm	3-3/4"	7"
35-194	176mm	253mm	7"	10"
35-196	248mm	330mm	9-3/4"	13"
35-198	327mm	405mm	12-3/4"	16"
35-200	400mm	480mm	15-3/4"	19"
35-202	480mm	558mm	19"	22"
35-204	552mm	633mm	21-3/4"	25"
35-206	631mm	710mm	24-3/4"	28"
35-208	782mm	863mm	30-3/4"	34"

Decorative Hardware

LIBERTY "YOUR CHOICE" STOCK PROGRAM

STEEL BAR PULL



STEEL BAR PULL		
PART #	C/C	OVERALL
LP01025-SS-C	-	40mm Steel Bar Knob
LP01012-SS-C	96mm	135mm Steel Bar Pull
LP01026-SS-C	128mm	188mm Steel Bar Pull
LP01013-SS-C	160mm	220mm Steel Bar Pull
LP01014-SS-C	192mm	272mm Steel Bar Pull
LP01016-SS-C	256mm	336mm Steel Bar Pull
LP01018-SS-C	320mm	400mm Steel Bar Pull

Hinges

Drawer Slides

Pulls and Knobs

Locks, Catches, Shelf Hardware

Lights

Closet and Furniture Hardware

Grommets

Kitchen Accessories

Melamine

Shop Supplies

Decorative Hardware

STEEL WIRE PULLS

Hinges

Drawer Slides

Pulls and Knobs



1" SCREW SUPPLIED

OPTIONAL 1-1/2" SCREW AVAILABLE

Locks, Catches, Shelf Hardware

3"	3-1/2"	96 mm	4"	FINISH
35-550	35-556	35-570	35-562	Satin Chrome
35-552	35-558	35-572	35-564	Polished Chrome
35-554	35-412	35-574	35-406	Polished Brass
		35-578	35-540	Sat Nickel

Lights

STAINLESS STEEL PULL



Features:

- Grade 304 marine use

ORDER NUMBER	FINISH
55-240	3" C/C Stainless Steel
55-242	96 mm CC Stainless Steel
55-244	4" C/C Stainless Steel

Closet and Furniture Hardware

COMMODITY KNOBS

Grommets



Satin Nickel

Satin Chrome

Polished Brass

Polished Chrome

Black

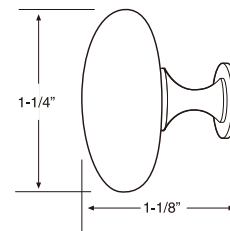
Aluminum

Kitchen Accessories

ORDER NUMBER	FINISH
35-180	Satin Nickel
35-181	Satin Chrome
35-182	Polished Brass
35-183	ORB
35-184	Polished Chrome
35-186	Alum

Melamine

Shop Supplies



Decorative Hardware

LIBERTY "YOUR CHOICE" STOCK PROGRAM



Hinges

Drawer Slides

Pulls and Knobs

Locks, Catches, Shelf Hardware

Lights

Closet and Furniture Hardware

Grommets

Kitchen Accessories

Melamine

Shop Supplies



	ORDER NUMBER	DESCRIPTION	FINISH
1	35-180	1-1/4" Round Knob	SN - Satin Nickel
2	35-184	1-1/4" Round Knob	PC - Polished Chrome
3	35-183	1-1/4" Round Knob	OB3-Dark Oil Rubbed Bronze
4	35-182	1-1/4" Round Knob	PB- Polished Brass
5	35-168	1-1/4" Round Knob	AL-Aluminum
6	35-181	1-1/4" Round Knob	SC - Satin Chrome
7	LP605A0-BA-A	1/2" x 4" Pull	BA-Brushed Aluminum
8	LP0270A-SN-C	96mm Tapered Bow Pull	SN - Satin Nickel
9	LP0256b-AL-C	96mm Bow Pull	AL-Aluminum
10	LP84600-OB3-C	128mm Tapered Bow Pull	OB3-Dark Oil Rubbed Bronze
11	LP84612-PC-C	128mm Tapered Bow Pull	PC - Polished Chrome
12	35-576	128mm Bow Pul	SN - Satin Nickel
13	LP01025-SS-C	40mm Steel Bar Knobl	SS-Stainless Finish
14	LP01012-SS-C	96/135mm Steel Bar Pull	SS-Stainless Finish

Decorative Hardware

LIBERTY "YOUR CHOICE" STOCK PROGRAM

Hinges



Drawer Slides

Pulls and Knobs

Locks, Catches, Shelf Hardware

Lights

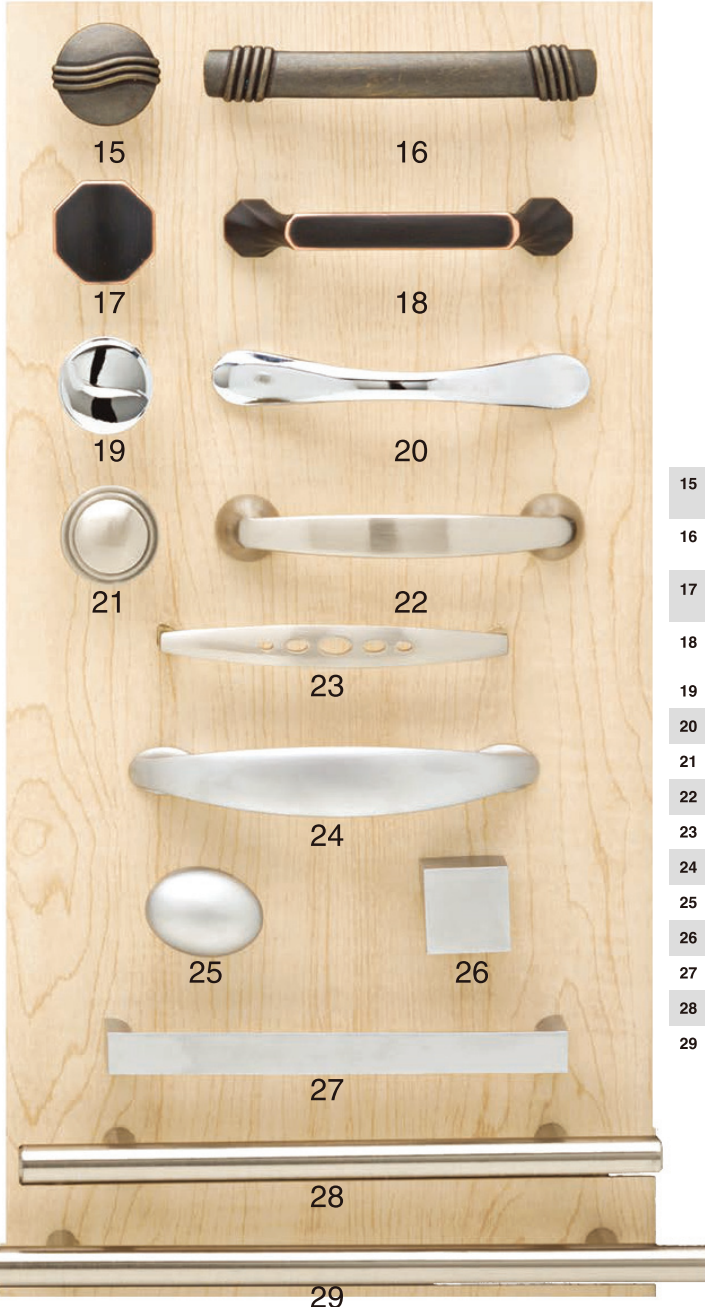
Closet and Furniture Hardware

Grommets

Kitchen Accessories

Melamine

Shop Supplies

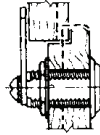


	ORDER NUMBER	DESCRIPTION	FINISH
15	LP84302-OB-C	30mm Knuckle Knob	OB-Distressed Oil Rubbed Bronze
16	LP84300-OB-C	96mm Knuckle Pull	OB-Distressed Oil Rubbed Bronze
17	LP20380-VBC-C	30mm Octo Knob	VBC-Bronze with Copper Highlights
18	LP20381-VBC-C	3/96mm Dual Mount Octo Pull	
19	LP18006C-PC-C	28mm Vuelo Knob	PC - Polished Chrome
20	LP18007C-PC-C	3"/96mm Dual Mount Vuelo Pull	PC - Polished Chrome
21	LPN0408-SN-C	30mm Ridge Knob	SN - Satin Nickel
22	PN0406-SN-C	96mm Pull	SN - Satin Nickel
23	LP0279B-SN-C	96mm Hole Punch Pull	SN - Satin Nickel
24	LPN6513-AL-C	96mm Sector Pull	AL-Aluminum
25	LPN6489-AL-C	35mm Football Knob w/ Raised Base	AL-Aluminum
26	LPN6508-AL-C	16mm Plaza Knob	AL-Aluminum
27	LPN6505-AL-C	128mm 15mm Wide Plaza Pull	AL-Aluminum
28	LP01026-SS-C	128/188mm Steel Bar Pull	SS-Stainless Finish
29	LP01013-SS-C	160/220mm Steel Bar Pull	SS-Stainless Finish

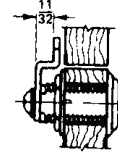
LOCKS & LOCK SYSTEMS



CAM Lock



LIPPED/
OVERLAY



FLUSH

Application

For drawers, R.H. or L.H. doors with either lipped or flush construction

Operation

90° Cam turn – key removable in both locked and unlocked positions

Keying

Will key together with all other C8000 and C8700 series cabinet locks shown in this catalog.

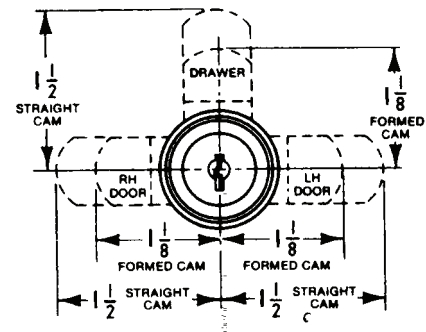
Available keyed alike (6 key codes) except C8053 (polished brass) which has only 3 codes available. Keyed different (200 changes) and master keyed different E41A (200 changes)

Packaging

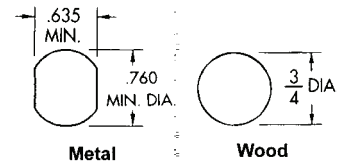
Supplied with two keys, trim washer, spur washer for wood and two cams to accommodate construction needs.

Master Keyed x Keyed Different
8053 Nickel **39-180**

MASTER KEY Order Number **39-182**



MOUNTING HOLES
FOR ALL CAM LOCKS



Hinges

Drawer
Slides

Pulls
and
Knobs

Locks,
Catches,
Shelf
Hardware

Lights

Closet
and
Furniture
Hardware

Grommets

Kitchen
Accessories

Melamine

Shop
Supplies

Order Information

All locks flush or lipped mounting, 25 per case.

National Part No.	Cylinder Length	Max Material Thickness	Finish	Keyed Alike Order No.	Key No. for Keyed Alike	Keyed Different
8054-14A	15/16"	5/8"	Nickel	39-102	413A	39-104
8053-3	1-3/16"	7/8"	Pol Brass	39-106	413A	39-108
8053-14A	1-3/16"	7/8"	Nickel	39-110	413A	39-112
8053-14A	1-3/16"	7/8"	Nickel	39-200	415A	NS
8053-14A	1-3/16"	7/8"	Nickel	39-202	390A	NS
8053-14A	1-3/16"	7/8"	Nickel	39-204	346A	NS
8053-14A	1-3/16"	7/8"	Nickel	39-206	420A	NS
8053-14A	1-3/16"	7/8"	Nickel	39-208	642A	NS
8055-14A	1-7/16"	1-1/8"	Nickel	39-270	415A	NS
8055-14A	1-7/16"	1-1/8"	Nickel	39-272	390A	NS
8055-14A	1-7/16"	1-1/8"	Nickel	39-274	346A	NS
8055-14A	1-7/16"	1-1/8"	Nickel	39-276	420A	NS
8055-14A	1-7/16"	1-1/8"	Nickel	39-278	642A	NS
8055-14A	1-7/16"	1-1/8"	Nickel	39-118	413A	39-120
8060-14A	1-3/4"	1-7/16"	Nickel	39-280	413A	39-282

ALL LOCKS ON THIS PAGE CAN BE MASTER KEYED SPECIAL ORDER

LOCKS & LOCK SYSTEMS



Drawer Lock

Hinges

Drawer Slides

Pulls and Knobs

Locks, Catches, Shelf Hardware

Lights

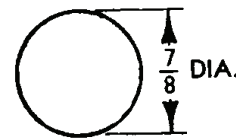
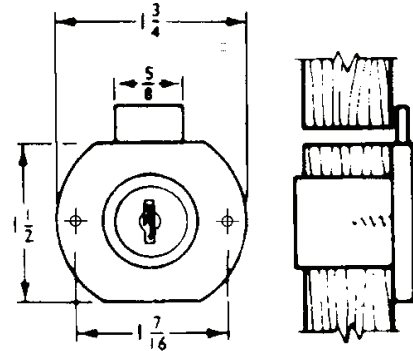
Closet and Furniture Hardware

Grommets

Kitchen Accessories

Melamine

Shop Supplies



Operation

Key removable in both locked and unlocked positions

MOUNTING HOLE FOR ALL LOCKS

Keying

Will key together with all other C8000 and C8700 series cabinet locks shown in this catalog. Available keyed alike (6 key codes) except C8053 (polished brass) which has only 3 codes available. Keyed different (200 changes) and master keyed different E41A (200 changes)

Packaging

Supplied with two keys and mounting screws

Order Information

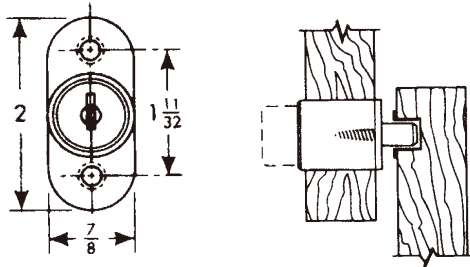
Locks use key 413A and are packaged 25/case.

National Part No.	Cylinder Length	Dead Bolt Travel	Finish	Keyed Alike Order No.	Keyed Different
8703-3	15/16"	11/32"	Pol Brass	39-122	39-124
8703-14A	15/16"	11/32"	Nickel	39-126	39-128
8705-3	1-3/16"	11/32"	Pol Brass	39-134	NS
8705-14A	1-3/16"	11/32"	Nickel	39-136	39-138

LOCKS & LOCK SYSTEMS



Push Lock



C8043

ORDER NUMBERS

- Bright Brass - KA39-254
- Bright Brass - KD39-256
- Dull Chrome - KA39-250
- Dull Chrome - KD39-252



Features

- Push lock for wood sliding doors up to 1" thick
- Pushing in cylinder locks doors
- Key removable in both locked and unlocked positions

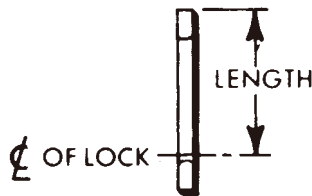
KA = Key number 413A

Hinges

Drawer Slides

Pulls and Knobs

Locks, Catches, Shelf Hardware



ORDER NUMBER

C7005 3" Straight Cam39-172



Strike Plates



ORDER NUMBER

Nickel39-194



Lights

Closet and Furniture Hardware

Grommets

Kitchen Accessories



Timberline Accessories

Spacer for 5/8" Panel

Allows CAM lock cylinder bodies to be used in 5/8" thick panels

ORDER NUMBER

39-350



SP-300

Melamine

Shop Supplies

LOCKS & LOCK SYSTEMS

Timberline Removable Lock Plug System

Hinges

Drawer Slides

Pulls and Knobs

Locks, Catches, Shelf Hardware

Lights

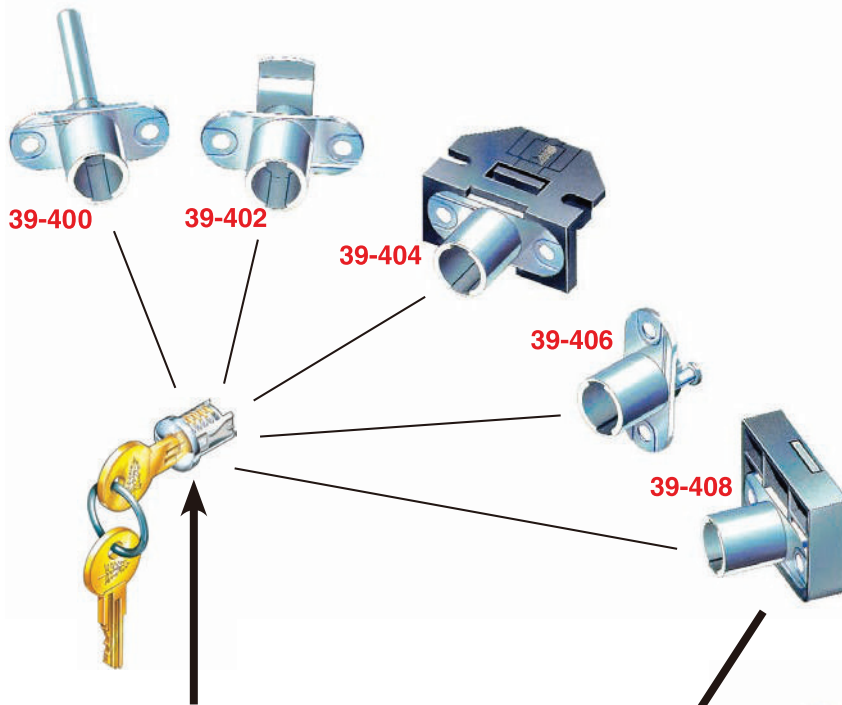
Closet and Furniture Hardware

Grommets

Kitchen Accessories

Melamine

Shop Supplies



Complete Key Versatility

- In Plant ...furniture can be keyed easily to the customer's requirements at any time
- In Field ...key numbers can be readily changed by your customer

Ease of Finishing

- Furniture may be finished without lock plug installed, eliminating need for masking

Simplified Inventory Management

- One stock of lock plugs fulfills all locking requirements

ANY LOCKPLUG SNAPS INTO CYLINDER BODY

LOCK PLUGS	
	39-300 – LP100 Nickel KA100T
	39-302 – LP500 Brass KA100T
	39-304 – LP700 Satin Nickel KA100T
	39-320 – LP100 Nickel KD

Lock Plug + Cylinder Body = Assembled Lock

LOCK PLUG CHANGE TOOL
This tool removes all plugs with numbers ending in ...

Removal directions:

1. Using normal key, turn lock fully clockwise to the unlocked position.
2. Remove normal key and insert change tool into the lock.
3. Rotate change tool clockwise 1/8 turn.
4. Pull lock plug straight out from cylinder body.

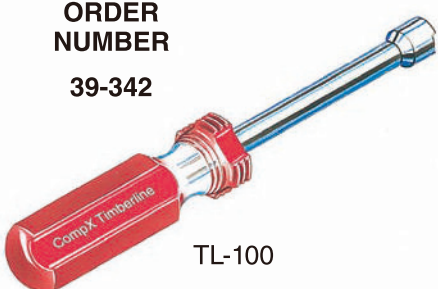
PLUG → CHANGE TOOL



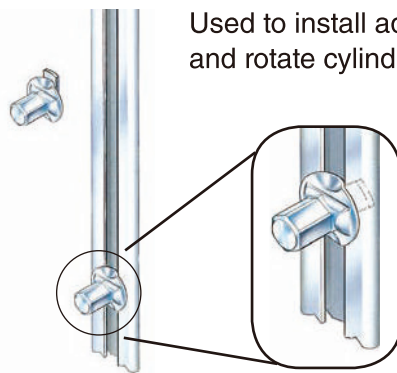
Adjustable Pin Installation Tool



ORDER NUMBER
39-342



TL-100



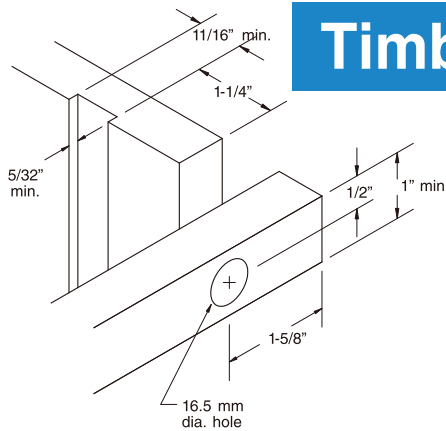
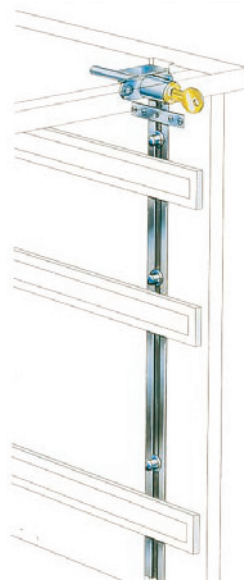
Used to install adjustable pins and rotate cylinder bodies

Most of the merchandise in this catalog is available in all Hardware Imagination-Tech locations. If your selection isn't available at the store nearest you, we'll gladly order it from one of the other stores or through special order.

LOCKS & LOCK SYSTEMS



Timberline System 100



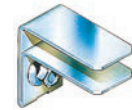
Typical Installation Details



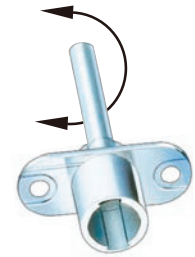
Lockbar 24\"/>

Lockbar retainer

ORDER NUMBER
Complete Set
39-328*



Type 100 lockbar clip



Type 100 cylinder body



Adjustable Pin



Drawer locking clip



LOCK PLUGS

- 39-300 – LP100 Nickel KA100T
- 39-302 – LP500 Brass KA100T
- 39-304 – LP700 Satin Nickel KA100T
- 39-320 – LP100 Nickel KD

* Sold in sets ONLY

Hinges

Drawer Slides

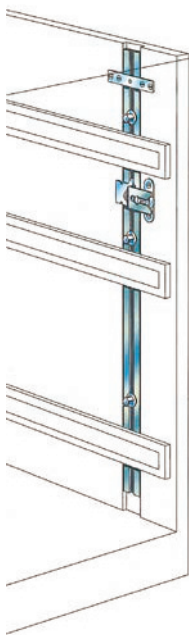
Pulls and Knobs

Locks, Catches, Shelf Hardware

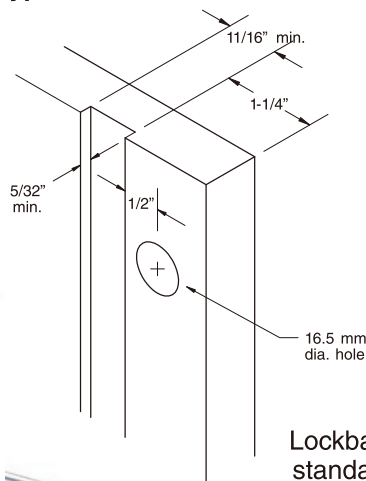
Lights

Closet and Furniture Hardware

Timberline System 150



Typical Installation Details



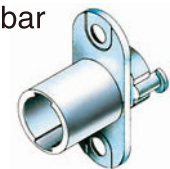
Lockbar 24\"/>

Lockbar retainer

ORDER NUMBER
Complete Set
39-330*



Type 150 lockbar clip



Type 150 cylinder body



Adjustable Pin



Drawer locking clip

* Sold in sets ONLY

Features

- Full 1/2" lockbar throw
- Fits within 1/2" drawer slide clearance
- Minimal machining required
 - hole for lock
 - groove for lockbar

Grommets

Kitchen Accessories

Melamine

Shop Supplies



LOCKS & LOCK SYSTEMS

Disc Tumbler 3 Drawer Gang Lock



Hinges

Drawer Slides

Pulls and Knobs

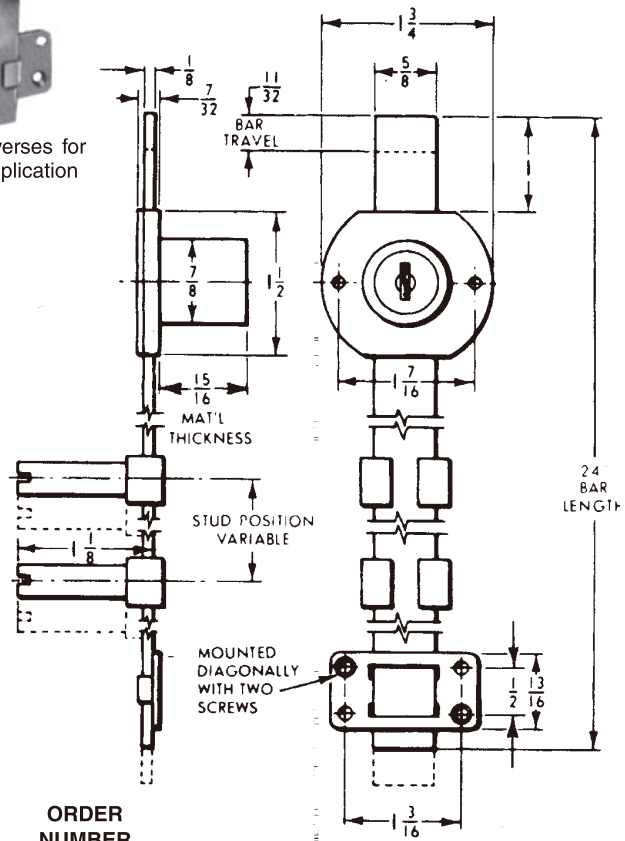


Cylinder is located near top of pedestal



Saddle reverses for mortise application

Additional 7/8" x 1/8" deep dado for bar required on inside of panel.



Application

For locking drawers in desk pedestals and other multiple drawer applications. Requires 7/8" dia. hole for cylinder and dado for bar, measuring 7/8" x 1/8" deep on inside of panel.

Operation

Key removable in both locked and unlocked positions. Turning the key locks all drawers simultaneously (drawers must be in closed position). Bar moves studs into notch in drawer or slide, thus preventing drawer movement.

Keying

Will key together with all other disc tumbler locks using D6785 key blank. See table for available keying. Masterkeying to E41A

Packaging

Supplied with two keys, three locking studs, three stud slides, saddle and mounting screws.

ORDER NUMBER

Nickel Finish

KA-413A..... 39-168
KD 39-170

Locks, Catches, Shelf Hardware

Lights

Closet and Furniture Hardware

Grommets

Metal Hanging File Brackets

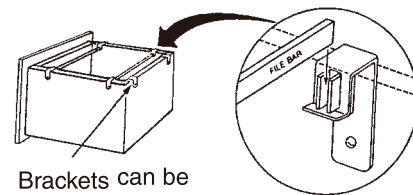
Kitchen Accessories

Melamine

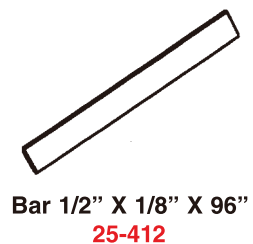
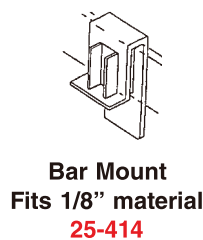
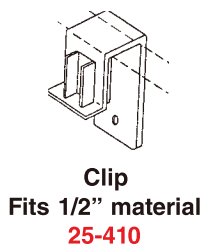
Shop Supplies

Description

- Reduces manufacturing costs – quick to install
- Flexible – can easily be moved to accommodate legal or letter size files
- Strong – 16 gauge steel will hold the heaviest files
- Attractive – zinc plated finish

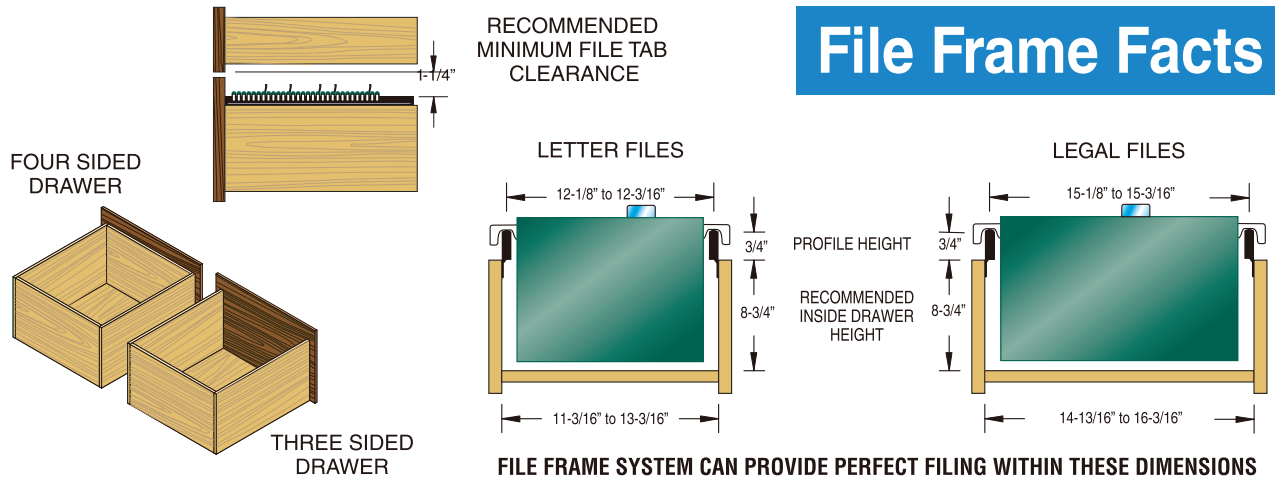


Brackets can be used for side-to-side or front-to-back filing.



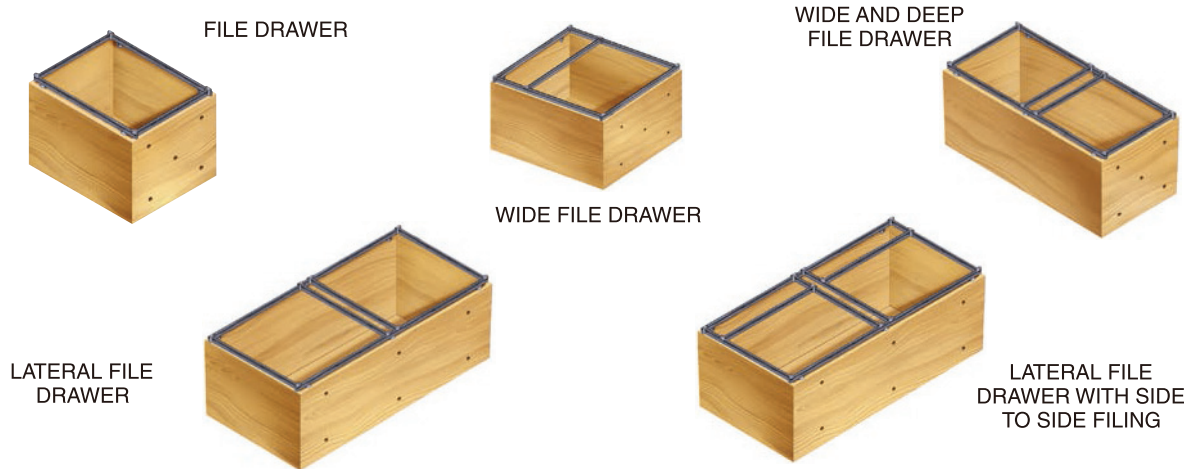
LOCKS & LOCK SYSTEMS

File Frame Facts



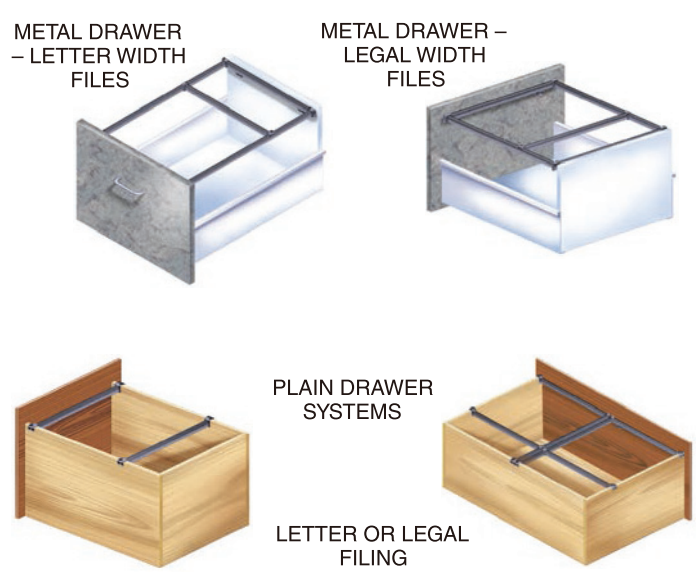
- Hinges
- Drawer Slides
- Pulls and Knobs

File Frame Systems – Typical Configurations

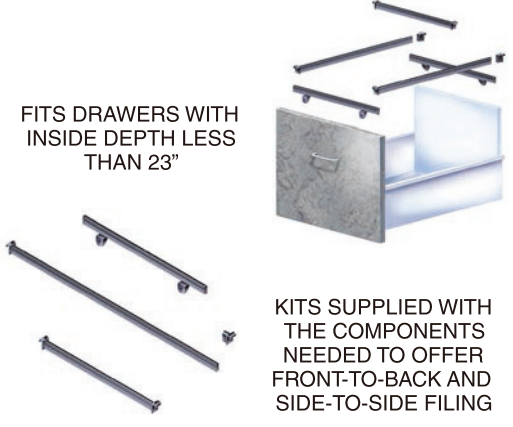


- Locks, Catches, Shelf Hardware
- Lights
- Closet and Furniture Hardware
- Grommets

File Frame Systems – Special Applications



CUT-TO-SIZE KITS



- Kitchen Accessories
- Melamine
- Shop Supplies

ORDER NUMBER

Letter width files.... **39-290**
 Legal width files.... **39-292**

LOCKS & LOCK SYSTEMS

Glass Door Locks

Bore Through Style Locks

Hinges

TYPE 300 SERIES – Horizontal Mount

Drawer Slides

Pulls and Knobs



7/8" DIAMETER HOLE BORED IN GLASS CENTERED 7/8" FROM EDGE

CAM MUST ROTATE COUNTERCLOCKWISE TO LOCK

FINISH CAP IS ATTACHED TO GIVE FINISHED APPEARANCE

NUT WASHER IS HAND TIGHTENED TO FASTEN CYLINDER BODY TO GLASS

ORDER NUMBERS

Nickel Finish
39-306



Brass Finish
39-308

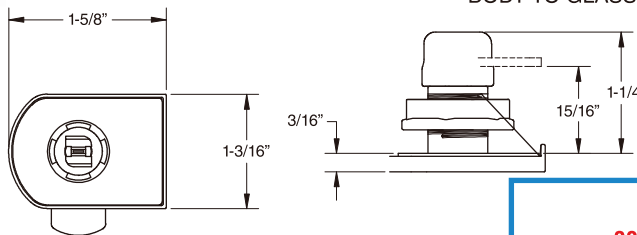


Satin Nickel Finish
39-310



Features

- For swing style doors
- Glass doors up to 3/8" thick



LOCK PLUGS

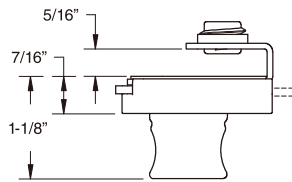
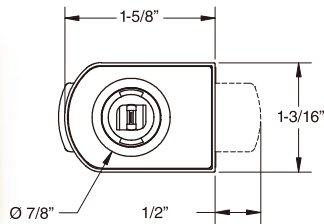
- 39-300** – LP100 Nickel KA100T
- 39-302** – LP500 Brass KA100T
- 39-304** – LP700 Satin Nickel KA100T
- 39-320** – LP100 Nickel KD

Compression Mount Style Locks

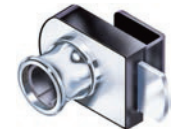
Lights

TYPE 350 SERIES – Horizontal Mount

Closet and Furniture Hardware



Nickel Finish
39-294



Brass Finish
39-296



Satin Nickel Finish
39-298

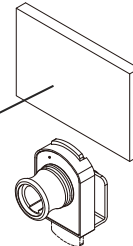


NO BORING REQUIRED

Features

- Fully cushioned to avoid glass damage
- Glass doors 1/4" to 5/16" thick

LOCK SLIPS INTO EDGE OF GLASS DOOR AT ANY LOCATION



Grommets

Kitchen Accessories



Glass Cylinder Lock

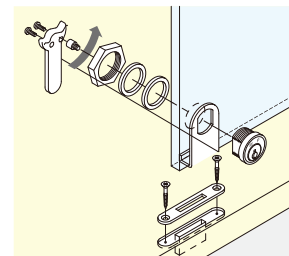
Melamine

Shop Supplies



Features

- Chrome on brass cylinder
- Key works as Knob in unlocked position
- Angle of locked & unlocked is 90°
- Setting hole diameter: 18.5 mm (23/32")
- Maximum door thickness: 7mm (9/32")



ORDER NUMBERS

- Polished stainless steel front plate..... **39-176**
- Polished brass front plate **39-178**

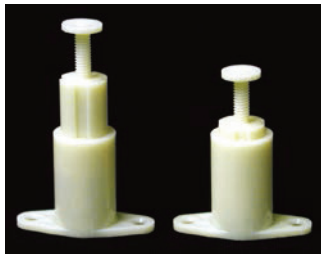


CATCHES, LATCHES & BRACKETS

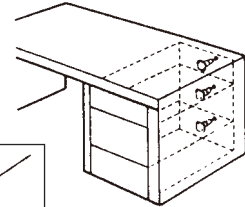
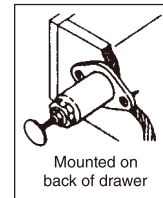
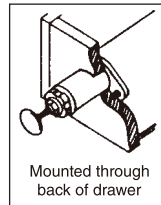
Catches & Latches

Hinges

Flexa Touch® Drawer Touch Latch



This unique drawer opener works like a ball point pen. Press forward about 1/8" and it springs open. Excellent for large or small drawers. Aproximate 2-1/2" clearance is required behind drawer.



Drawer Slides

Pulls and Knobs

Order number **17-122**

Locks, Catches, Shelf Hardware

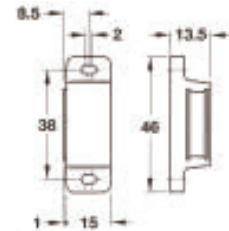
Magnetic Catch



White..... **17-112**
Black (not shown.)... **17-152**

5 sets per pack

- Strong, permanent magnet
- 40 mm hole C/C
- Floating head
- Comes with strike plate
- Adjustable holes
- 8 lb. Pulling capacity



Lights

Closet and Furniture Hardware

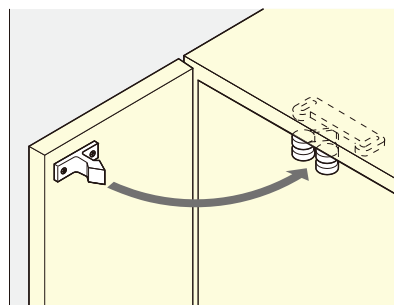
Rotary Catch

Rustproof catch ideal for bathroom and kitchen cabinets.



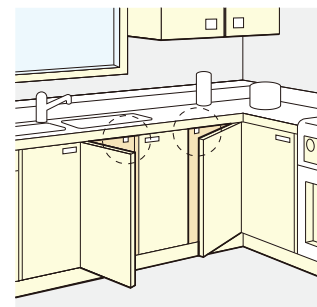
- Made of resin - rustproof
- Proven in tests to last... more than 300,000 times
- Catch & Strike made of polyacetal (natural white)
- Rollers made of polyethylene (natural white)
- Packaged: 5 sets

White**17-156**
Brown (not shown.)... **17-158**



Grommets

Kitchen Accessories



Melamine

Shop Supplies

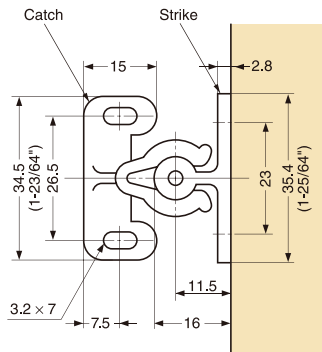
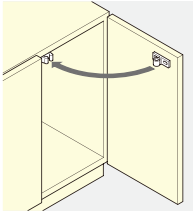
CATCHES, LATCHES & BRACKETS

K-Catch

Hinges



Drawer Slides



Super Strong Nylon Catch

Order number **19-250**

5 sets per pack



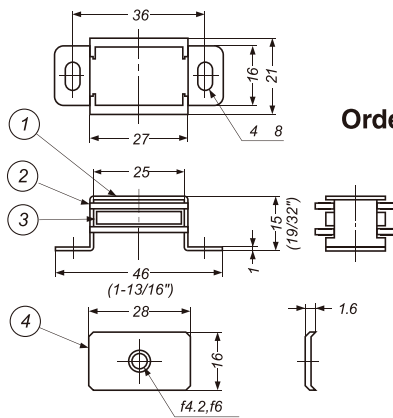
Pulls and Knobs



Locks, Catches, Shelf Hardware

Lights

- Magnetic force = 1.5kg (3.3 lbs.)
- Weight = 28.5g
- Box = 24 pcs.
- Carton = 720 boxes



Order number **17-114**

- Material: Catch housing - aluminum
Strike - Steel
- Finish: Strike - clear zinc chromate
- Screws not included



Closet and Furniture Hardware

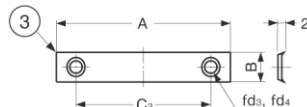
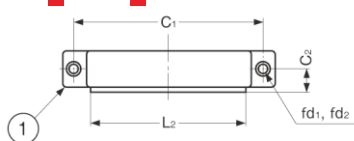


SP Series Magnetic Catch

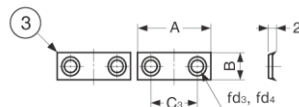
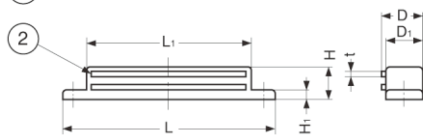
SP single plate17-116

- Material: Catch Housing – Polyamide
Strike – 430 Stainless Steel
- Finish: White

Grommets



Kitchen Accessories



Screws not included



Melamine



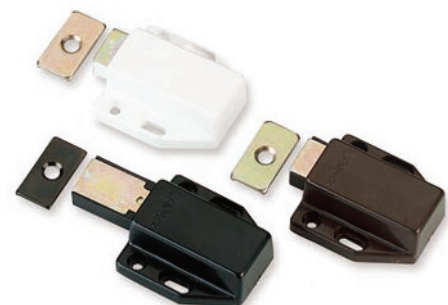
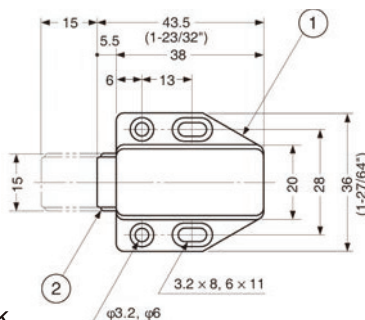
ML-80 Series Magnetic Touch Latch

ML-80 Brown17-154

ML-80 Black17-155

ML-80 White17-164

- Magnetic Force: 1.6kg (3.5 lbs)
- Pakaged: 20 pcs. per box
400 pcs. per carton
- Material: body – ABS Plastic
latch – Steel
counterplate – Steel
- Finish: body – white, brown or black
latch – Yellow Zinc Chromate
counterplate – Yellow Zinc Chromate



CATCHES, LATCHES & BRACKETS

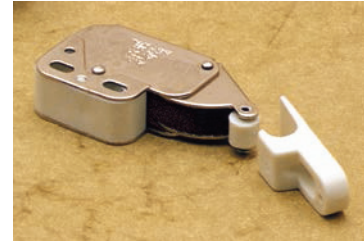
Latches

Hinges

Mini Touch Latch

Drawer Slides

- Mini latch
- Strike included
- Material: Steel/Plastic
- Packaged 1 set
- White



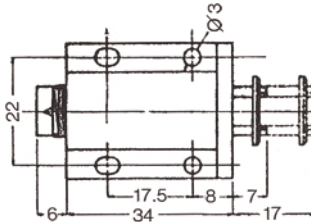
Order number **17-104**

Pulls and Knobs

Single Magnetic Touch Latch

Locks, Catches, Shelf Hardware

- Suitable for glass or wood doors
- Material: plastic



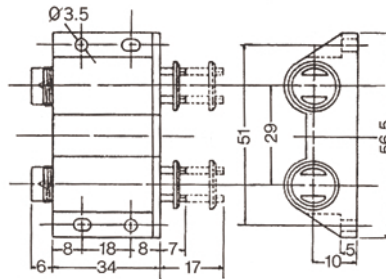
Brown **17-146**
White **17-144**
Black **17-148**

Lights

Double Magnetic Touch Latch

Closet and Furniture Hardware

- Double touch latch for two doors
- Material: plastic



Brown **17-124**
White **17-126**
Black **17-150**

Grommets

Kitchen Accessories

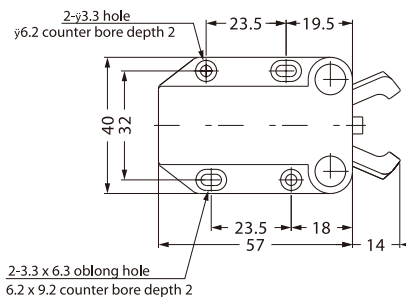
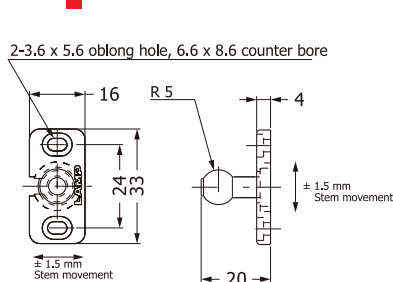
RV & Boat Touch Latch



A simple push is all it takes to open or close a door.

Melamine

Shop Supplies



Order number **17-210**

CATCHES, LATCHES & BRACKETS

Wall Standards & Shelf Brackets



Wall Standard Clip
Clip.....27-124

Steel Wall Standard

- 24"27-130
- 30"27-132
- 36"27-134
- 72"27-138
- 96"27-400



Hinges

Drawer Slides

Pulls and Knobs



Shelf Bracket

- 6"27-316
- 8"27-318
- 10"27-320
- 12"27-322
- 14"27-324
- 16"27-326
- 18"27-328

Wall Standard

- 24"27-302
- 36"27-304
- 48"27-306
- 60"27-308
- 72"27-310
- 96"27-312



Locks, Catches, Shelf Hardware

Lights

Closet and Furniture Hardware



Shelf Bracket

- 12"27-342
- 14"27-344
- 16"27-346
- 18"27-347
- 20"27-349

Heavy Duty Wall Standard

- 24"27-330
- 36"27-332
- 48"27-334
- 60"27-336
- 72"27-338
- 96"27-340



Grommets

Kitchen Accessories



Shelf Bracket

- 12"27-356
- 14"27-358
- 16"27-360
- 18"27-362
- 20"27-364

Double Track Wall Standard

- 24"27-348
- 36"27-350
- 72"27-352
- 96"27-354



Melamine

Shop Supplies

CATCHES, LATCHES & BRACKETS

Brackets

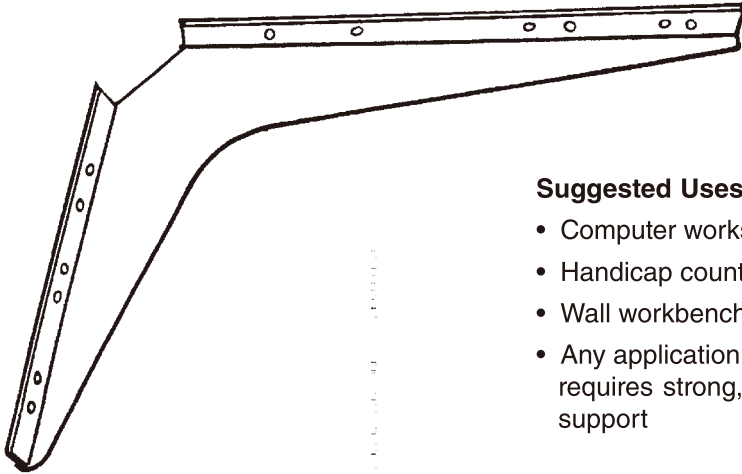
Hinges

Workstation Bracket

Drawer Slides

Pulls and Knobs

Locks, Catches, Shelf Hardware



Features:

- 45° cut-out allows for use with up to 1-3/8" x 1/3/8" wall cleats
- 1/8" powder coated steel
- 1,000 lb. LOAD capacity
- Sold per pair: 1-left, 1-right

Suggested Uses:

- Computer workstations
- Handicap counter tops
- Wall workbench tops
- Any application that requires strong, rigid support

Lights

White (18" x 24")	43-434
Black (18" x 24")	43-436
White (24" x 29")	43-438
Black (24" x 29")	43-440

Closet and Furniture Hardware

Heavy Duty Bracket

Grommets

Kitchen Accessories

Melamine

Shop Supplies

Suggested Uses:

- Counter tops
- Work surfaces
- Book shelves
- Closet shelves

Features:

- 5mm steel
- Epoxy coated
- Sold per piece

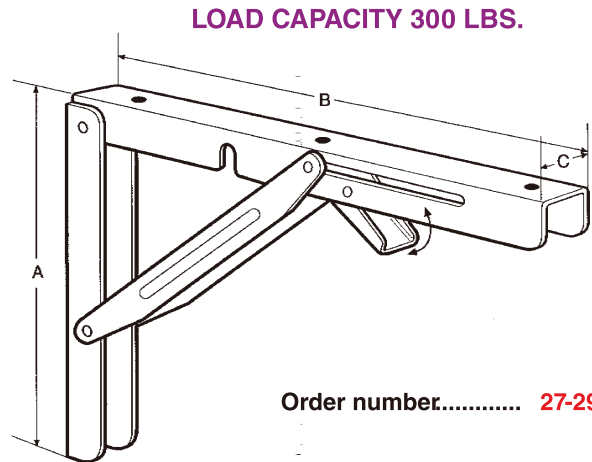
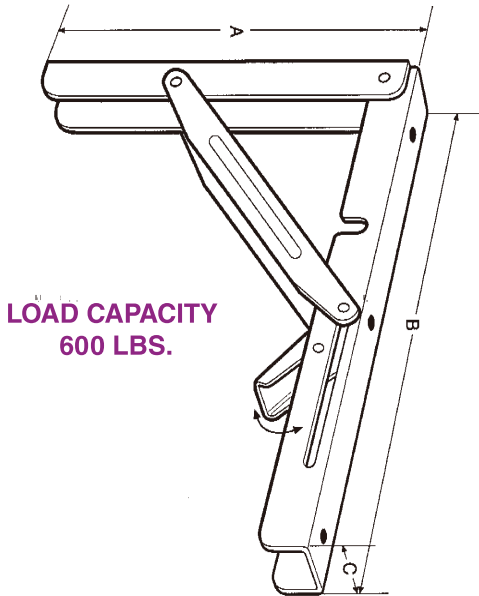


White (11-1/2" x 8-1/2")	27-500
Black (11-1/2" x 8-1/2")	27-502
White (15-1/2" x 10-1/2")	27-504
Black (15-1/2" x 10-1/2")	27-506
White (19-1/2" x 13")	27-508
Black (19-1/2" x 13")	27-510

CATCHES, LATCHES & BRACKETS

Folding Brackets

- Heavy Duty Stainless Steel
- Type 304 Electro-Polished
- Sold Individually



Order number..... **27-296**

DIM	INCHES
A	6 5/8"
B	12 1/8"
C	7/8"

Hinges

Drawer Slides

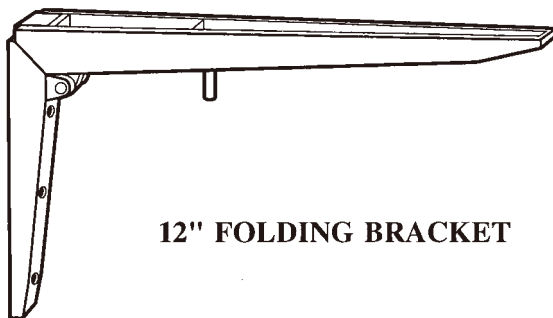
Pulls and Knobs

Locks, Catches, Shelf Hardware

Lights

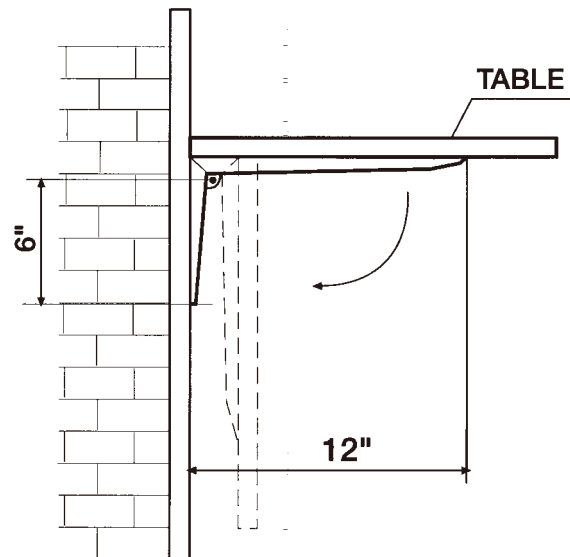
Closet and Furniture Hardware

- 80 Lbs. Capacity Per Set
- Blister Packed
- All Hardware Supplied
- Sold In Pairs



12" FOLDING BRACKET

Order number **27-294**



Grommets

Kitchen Accessories

Melamine

Shop Supplies

CATCHES, LATCHES & BRACKETS

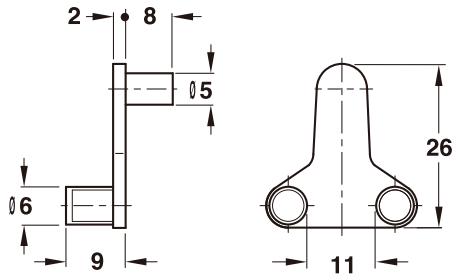
Shelf Clips

Hinges

Nickel Plated Glass Retainer Shelf Clip

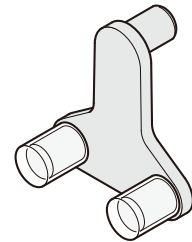
Drawer Slides

Pulls and Knobs



Works With 3/16" Or 1/4" Glass

Order number
5 mm**27-208**



Metal Spoon Clip

Locks, Catches, Shelf Hardware

1/4" clip may be used with **27-192** or **27-194** clip sockets

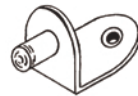


Order number
5mm Bright Brass**27-168**
5mm Bright Nickel**27-170**
1/4" Bright Brass**27-212**
1/4" Bright Nickel**27-214**

Lights

Closet and Furniture Hardware

1/4" 'L' Shelf Clip



Packaged
100 pieces



Order number
Polished Chrome**27-226**
Polished Brass**27-238**

Metal 1/4" Shelf Clip Socket

Grommets

Requires a 9/32" boring
Can be used with 1/4" stem shelf clips



Order number
Polished Chrome**27-194**
Polished Brass**27-192**

Kitchen Accessories

5-mm Shelf Clip with Steel Pin



Order number
Clear**27-228**
White**27-232**



Wood Shelf Retainer Clip

Melamine

- White Plastic
- Ridges allow 5/8" + or - 1/16" shelf to work properly
- Clips for 1/2" or 3/4" shelves
- Other colors by special order
- Packaged 100 pcs



Order number
5 mm**27-164**
1/4"**27-166**

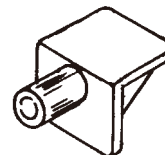


Shop Supplies

5mm Econo Shelf Clip



Order number
27-240



CATCHES, LATCHES & BRACKETS

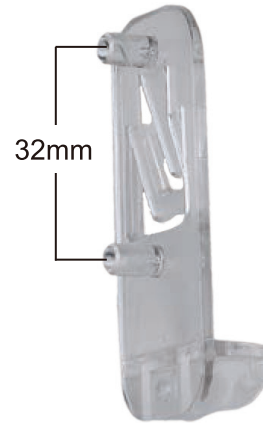
Shelf Clips



**ANSI/BHMA A156.9-03
GRADE 3 REQUIREMENT**

PASS – Static LOAD Test
BHMA section 4.8.4.3

PASS – Impact LOAD Test
BHMA section 4.8.4.4



Hinges

Drawer Slides

Pulls and Knobs

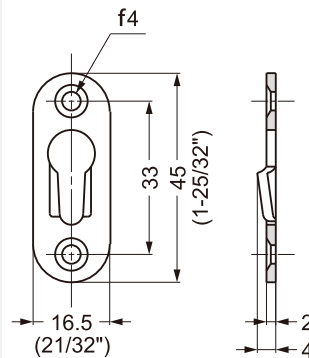
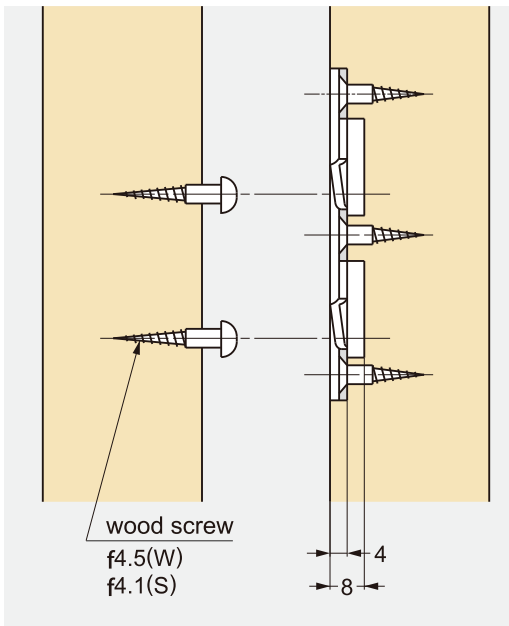
Locks, Catches, Shelf Hardware

ITEM	COLOR	SIZE	DESCRIPTION	RECOMMENDED SHELF SIZE	LOAD RATING
27-160	CLEAR	5 mm	5mm Double Pin	36" Width	200 Lbs.

Key Lock Fittings



- Made of steel
- Finish: bright zinc chromate
- Packaged 5 pieces



Order number
19-198



Lights

Closet and Furniture Hardware

Grommets

Kitchen Accessories

Melamine

Shop Supplies

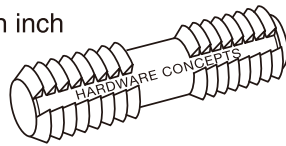
Most of the merchandise in this catalog is available in all Hardware Imagination-Tech locations. If your selection isn't available at the store nearest you, we'll gladly order it from one of the other stores or through special order.

FITTINGS, SCREWS, BOLTS, CASTERS, ETC.

Plastic Connecting Dowels

Features

- Tolerance +/- 3 thousandths of an inch
- No glue required



8mm x 30mm, 8 ribs **33-420**

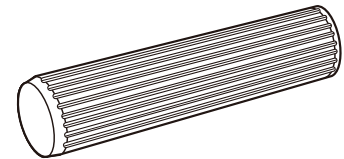
Humidity and/or temperature will not effect the dimensions of plastic dowels

Hinges

Drawer Slides

Wood Connecting Dowels

Long Multi-Groove



ORDER NUMBERS

DESCRIPTION

33-128	Multi-Groove	8mm x 30mm
33-126	Pre-Glued Multi-Groove	8mm x 30mm

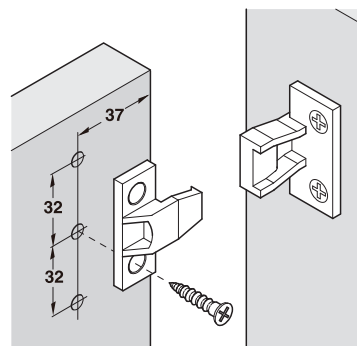
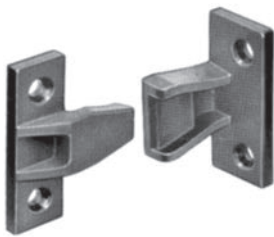
Pulls and Knobs

Locks, Catches, Shelf Hardware

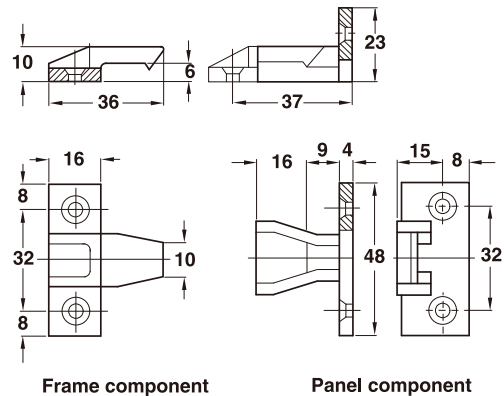
KeKu Push-Fit Fastener

Lights

Closet and Furniture Hardware



Order number**19-208**



Frame component

Panel component

Grommets

The push-fit fastener allows you to install wooden cladding and trim panels from the front, eliminating the need for top and side free space. The parts are shaped in such a way that the panels lock into the frame as it is pushed home. The strong clamping effect achieved will secure even heavy paneling, but can be easily released at any time without special tools.

Most of the merchandise in this catalog is available in all Hardware Imagination-Tech locations. If your selection isn't available at the store nearest you, we'll gladly order it from one of the other stores or through special order.

Kitchen Accessories

Casters

Features

- Hooded ball for more decorative applications
- Non-marking PVC ball
- 100 lb. capacity per caster
- Wheel size 2" – total height 2-5/8"
- Standard top plate 1-3/16" x 2"



SOLD PER PIECE

ORDER NUMBERS

Polished Brass	23-120
Polished Chrome	23-122



SOLD PER PIECE

Features

- Dual wheel hooded caster
- 2" diameter wheels
- Rated 45 lbs. Per caster
- Plate included



ORDER NUMBERS

Brass / Black	23-130
Black Texture	23-134

Melamine

Shop Supplies

Lighting

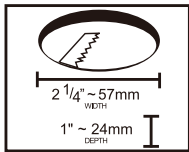
120V LED Plastic Puck Light

- 2.5 Watt 120v Plastic LED Puck Light
 - Linkable Up To 30 Lights
 - 3 Color Option
 - Easy To Install
 - Color Temp 3000k ~ 6000k

DIMMABLE

Power-Out 24"

Power-In 24"



CUT-OUT SIZE

cULus
U. L. LISTED



PART NUMBER	COLOR FINISH	DIA OVERALL	THICKNESS	COLOR TEMP	TOTAL LUMEN	CRI	LED NUMBER	WATTAGE	INPUT	CERTIFICATION
41-660	White	70mm	24mm	3000K	120	80	10	2.5W	120V AC	cETLus
41-662	Black	70mm	24mm	3000K	120	80	10	2.5W	120V AC	cETLus
41-664	Matted Chrome	70mm	24mm	3000K	120	80	10	2.5W	120V AC	cETLus
41-680	White	70mm	24mm	6000K	130	80	10	2.5W	120V AC	cETLus
41-682	Black	70mm	24mm	6000K	130	80	10	2.5W	120V AC	cETLus
41-684	Matted Chrome	70mm	24mm	6000K	130	80	10	2.5W	120V AC	cETLus



41-980
10' Black (Sold separately)



41-981
10' White (Sold separately)



WHITE EXTENSION

ORDER #	SIZE
H591301-010	4"
41-982	36"

Hinges

Drawer Slides

Pulls and Knobs

Locks, Catches, Shelf Hardware

Lights

Closet and Furniture Hardware

Grommets

Kitchen Accessories

Melamine

Shop Supplies

Lighting

120V Dimmable LED Metal Puck Light

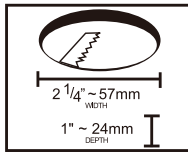
Hinges

- 2.5 Watt 120v Metal LED Puck Light
- Linkable Up To 30 Lights
- 3 Color Option
- Easy To Install
- Color Temp 3000k ~ 6000k

Drawer Slides

Pulls and Knobs

Locks, Catches, Shelf Hardware



CUT-OUT SIZE



Lights

Closet and Furniture Hardware

Grommets

PART NUMBER	COLOR FINISH	DIA OVERALL	THICKNESS	COLOR TEMP	TOTAL LUMEN	CRI	LED NUMBER	WATTAGE	INPUT	CERTIFICATION
41-940	White	70mm	24mm	3000K	120	80	10	2.5W	120V AC	cETLus
41-942	Black	70mm	24mm	3000K	120	80	10	2.5W	120V AC	cETLus
41-946	Matted Chrome	70mm	24mm	3000K	120	80	10	2.5W	120V AC	cETLus
41-930	Matted Chrome	70mm	24mm	6000K	130	80	10	2.5W	120V AC	cETLus
41-931	Black	70mm	24mm	6000K	130	80	10	2.5W	120V AC	cETLus
41-932	White	70mm	24mm	6000K	130	80	10	2.5W	120V AC	cETLus

Kitchen Accessories

Melamine



WHITE EXTENSION

ORDER #	SIZE
H591301-010	4"
41-982	36"

Shop Supplies



Black



Matte Chrome



41-980
10' Black (Sold separately)



41-981
10' White (Sold separately)

Lighting

LED T5 UNDERCABINET LIGHT

- **Rated for continuous operation.**
- **Excellent for rapid cycling applications.**
- **Excellent performance with new LED technology.**
 - **Low profile design for better application.**
 - **Aluminum housing with Opal PC diffuser.**
 - **Dimmable version available.**
 - **Quick and easy linking system.**



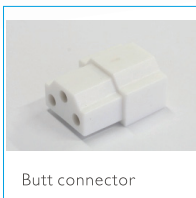
Professional led T5 under cabinet light is using latest LED technology with portable design, its quick linking system makes the application much easier and more convenient.



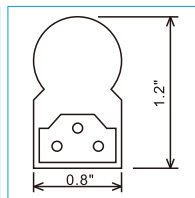
3-pin Power cord



Linking cable



Butt connector



Meets T15E 24 High Efficacy Requirements



3-PIN PORTABLE DESIGN
QUICK-CONNECT LINKABLE

ORDER NUMBER	WATT (w)	LINK UPTO	INPUT	LUMEN (lm)	CRI	COLOR TEMPERATURE	BEAM ANGLE	M.O.L (inch)	WIDTH (inch)	HEIGHT (inch)	LIFE SPAM (hrs)
H5.12407C	4	62 LIGHTS	100~277V	400	>90	COOL WHITE	120°	12	0.8	1.2	30,000
H5.12410C	17	35 LIGHTS	100~277V	700	120	COOL WHITE	120°	20	0.8	1.2	30,000
H5.12415C	13	19 LIGHTS	100~277V	1300	120	COOL WHITE	120°	34	0.8	1.2	30,000
H5.12419C	18	13 LIGHTS	100~277V	1800	130	COOL WHITE	120°	45	0.8	1.2	30,000
H5.12407D	4	62 LIGHTS	100~277V	400	>90	DAY LIGHT	120°	12	0.8	1.2	30,000
H5.12410D	7	35 LIGHTS	100~277V	700	120	DAY LIGHT	120°	20	0.8	1.2	30,000
H5.12415D	13	19 LIGHTS	100~277V	1300	120	DAY LIGHT	120°	34	0.8	1.2	30,000
H5.12419D	18	13 LIGHTS	100~277V	1800	130	DAY LIGHT	120°	45	0.8	1.2	30,000

ACCESSORIES

H5.12400 LED T5 POWER CORD

H5.12436 LED T5 36" EXTENSION

Hinges

Drawer Slides

Pulls and Knobs

Locks, Catches, Shelf Hardware

Lights

Closet and Furniture Hardware

Grommets

Kitchen Accessories

Melamine

Shop Supplies

Lighting

110V GU-10 LED Swivel Light

Hinges

• No Transformer Required

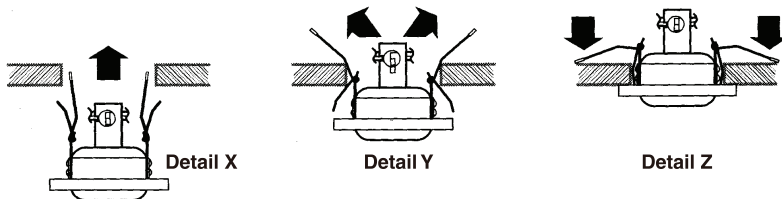
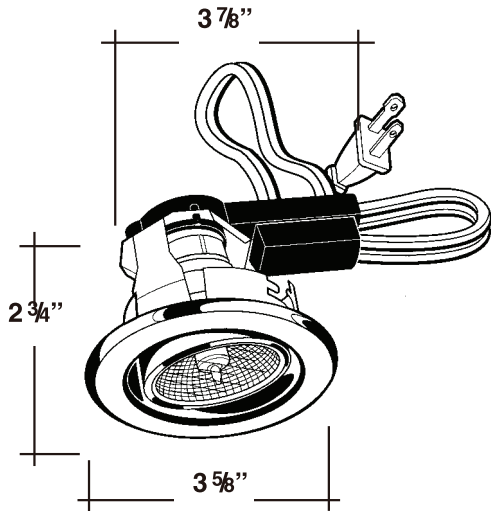
Mounting Instructions

1. Drill 79 mm (3 1/8") hole in the cabinet.
2. Install butterfly clips as indicated in Detail "X" below. Wing clips should be installed with smaller clip curved to inside of the light rim and larger clip hanging over.
3. Squeeze the larger wing clips through hole as indicated in Detail "Y" below.
4. The smaller butterfly clips press against surface - detail "Z" below.
5. Push on light surface until it fits flush with surface.
6. Ready to plug in wall outlet.

Drawer Slides

Pulls and Knobs

Locks, Catches, Shelf Hardware



Lights

ORDER NUMBER	COLOR / FINISH	CUT-OUT	REPLACEMENT BULB	LUMENS	BULB LIFE	COLOR TEMP	WATTAGE	VOLTAGE
41-965	WHITE	2 7/8"	GU10	525	2,000 Hours	2700K	35w	120v
41-969	BLACK	2 7/8"	GU10	525	2,000 Hours	2700K	35w	120v
41-962	ALMOND	2 7/8"	GU10	525	2,000 Hours	2700K	35w	120v
41-966	GOLD	2 7/8"	GU10	525	2,000 Hours	2700K	35w	120v
41-967	MATTE CHROME	2 7/8"	GU10	525	2,000 Hours	2700K	35w	120v
41-968	CHROME	2 7/8"	GU10	525	2,000 Hours	2700K	35w	120v
41-963	ANTIQUE BRASS	2 7/8"	GU10	525	2,000 Hours	2700K	35w	120v

Includes 35W GU10 Bulb

Hole Cut-Out



Closet and Furniture Hardware

Grommets

Kitchen Accessories

HIGH POWER 6W LED REPLACEMENT BULBS

ITEM	TYPE	COLOR TEMP	LED NUMBER	LUMEN	BEAM SPREAD	WATTAGE	DIMMABLE
H5.95006CF	GU-10 BULB / FLOOD COOL WHITE	5000K	3	300	120°	6W	Yes
H5.95006WF	GU-10 BULB / FLOOD WARM WHITE	3200K	3	300	120°	6W	Yes

Melamine

Shop Supplies



Lighting

High Power Display LED Lights

- 1 1/2" Minimum Can Depth
- Led Display Lights
- Epistar LED, Super Bright 3528 LED
- Slim Design
- Ideal For Narrow Spaces
- Easy To Install
- Color Temperature Cool White
- 5000K ~ 6000K



DIMMABLE



Hinges

Drawer Slides

Pulls and Knobs

Locks, Catches, Shelf Hardware

Lights

LED LIGHT PANEL

FIXTURE	DESCRIPTION	SIZE	LUMENS	EFFICACY LUMEN/WATT	WATTAGE	VOLTAGE	BEAM SPREAD	UV RATING	EPISTAR
H5.12009	72Pcs LED Panel	11-5/8" X 5-13/16"	500	100lm/w	5w	24V DC	120°	Free	82
H5.12010	36Pcs LED Panel	5-13/16" X 5-13/16"	250	100lm/w	2.5w	24V DC	120°	Free	82
H5.12002	144Pcs LED Panel	11-5/8" X 11-5/8"	1000	100lm/w	10w	24V DC	120°	Free	82

Closet and Furniture Hardware

Grommets

POWER SUPPLY OPTIONS(Sold Separately)

							Link up To		
			Input	Output	Amp/mA Watts	Fixture:	5.12009	5.12010	5.12012
H5.00024	POWER SUPPLY	240w POWER SUPPLY	100-240v AC	24v DC	10A~240W		38	76	19
H5.12024	POWER SUPPLY	75w POWER SUPPLY	100-240v AC	24v DC	3A~75W		12	24	6

Kitchen Accessories

*** NOTE: Please Connect All Components Before Plugging into Electrical Outlet ***

REQUIRED COMPONENTS



POWER TO PANEL CONNECTOR

ORDER #	SIZE
H5.12701	2-1/2"
H5.12716	6"
H5.12736	36"



OPTIONAL ACCESSORIES



POWER SUPPLY TO PANEL EXTENSION

ORDER #	SIZE
41-504	84"

Melamine

Shop Supplies

Lighting

Display LED Light Panel

Hinges

Drawer Slides

Pulls and Knobs

Locks, Catches, Shelf Hardware

Lights

Closet and Furniture Hardware

Grommets

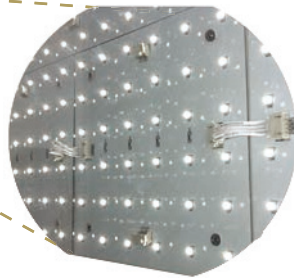
Kitchen Accessories

Melamine

Shop Supplies



• LED Panels used for this application.



• More LEDs Per Inch



• Slim Design

REQUIRED COMPONENTS



Item Number **H5.00024**
See Technical information Page 81



POWER TO PANEL CONNECTOR

ORDER #	SIZE
H5.12701	2-1/2"
H5.12716	6"
H5.12736	36"



Item Number **H5.12024**

OPTIONAL ACCESSORIES



POWER SUPPLY TO PANEL EXTENSION

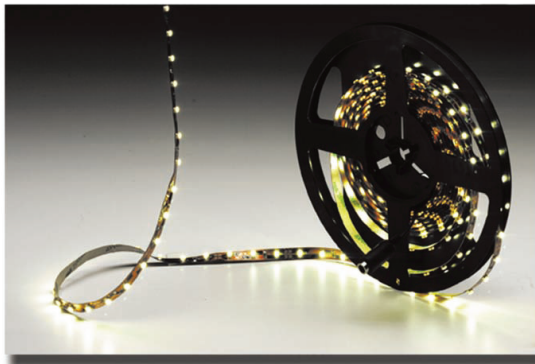
ORDER #	SIZE
41-504	84"

Lighting

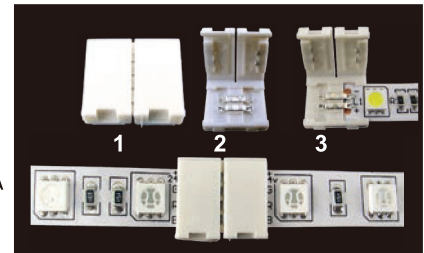
LED Flexible Strip Light Bar

- DIMMABLE SMD3828 LEDs
- ULTRA SLIM DESIGN
- EXTREMELY LONG LIFE (OVER 50,000 HOURS)
- VIRTUALLY NO HEAT EMISSIONS
- LOW ENERGY CONSUMPTION
- 4.8 WATTS PER METER
- INDOOR USE ONLY
- 60 LEDS PER METER

DIMMABLE



H5.12501 6" LED Quick Connector Strip to Strip Solderless Connector



Item Number **H5.12502** LED Quick Connector Single Color LED Connector

FLEXIBLE LED STRIP LIGHT / 3M ADHESIVE TAPE

FIXTURE	DESCRIPTION	BULB LIFE	COLOR TEMP	CRI	VOLTAGE	BEAM SPREAD	UV RATING	HEAT SINK
41-451	COOL WHITE	50,000 Hours	4000~5000K	70	12V DC	120°	Free	N/A
41-450	DAY LIGHT	50,000 Hours	6000~7000K	70	12V DC	120°	Free	N/A
41-452	WARM WHITE	50,000 Hours	2700~3500K	70	12V DC	120°	Free	N/A

LINKABLE POWER SUPPLY OPTIONS

					41-451	41-450	41-452
41-456	POWER SUPPLY	12V 1 amp 12W POWER SUPPLY - (SOLD SEPARATELY)		Link Up to	Up to 8 Lft	Up to 8 Lft	Up to 8 Lft
41-454	POWER SUPPLY	12V 3 amp 36W POWER SUPPLY - (SOLD SEPARATELY)		Link Up to	Up to 24 Lft	Up to 24 Lft	Up to 24 Lft
H5.00012	POWER SUPPLY	12V 12.5 amp 150W POWER SUPPLY - (SOLD SEPARATELY)		Link Up to	Up to 65 Lft	Up to 65 Lft	Up to 65 Lft

REQUIRED COMPONENTS



Item Number **H5.00012**
See Technical information Page 80



Item No. **41-454**



Item Number **41-456**

Item Number	Input	Output	Amp/mA Watts
H5.00012	120v AC	12V DC	12.5 Amp / 150W
41-456	120v AC	12V DC	1 Amp / 12W
41-454	120v AC	12V DC	3 Amp / 36W

OPTIONAL ACCESSORIES FOR CONNECTING MULTIPLE LIGHTS



EXTENSION

ORDER #	SIZE
41-504	84"

Hinges

Drawer Slides

Pulls and Knobs

Locks, Catches, Shelf Hardware

Lights

Closet and Furniture Hardware

Grommets

Kitchen Accessories

Melamine

Shop Supplies

Lighting

RGB LED Flexible Strip Light Kit

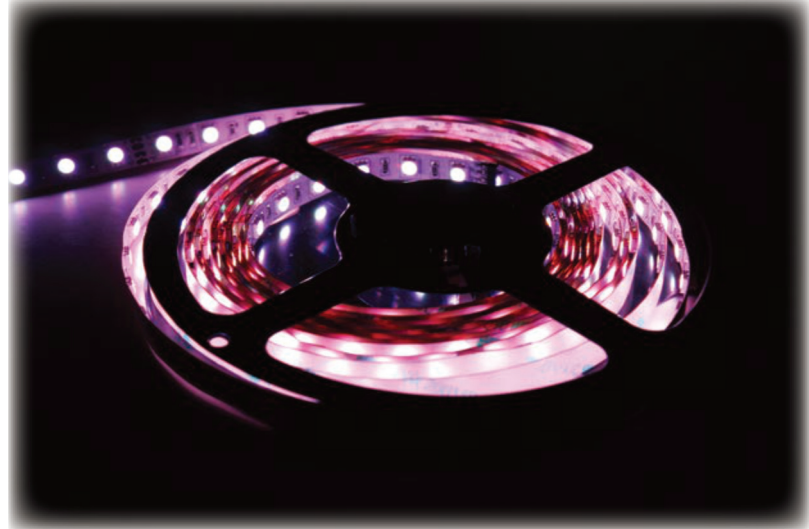
Hinges

- 7W PER METER
- ULTRA SLIM DESIGN
- EXTREMELY LONG LIFE (OVER 50,000 HOURS)
- VIRTUALLY NO HEAT EMISSIONS
- LOW ENERGY CONSUMPTION

Drawer Slides

Pulls and Knobs

Locks, Catches, Shelf Hardware



Includes:

- 1 - Roll 16.25 Lft (5 m) SMD RGB Color Changing Flexible Strip Light
- 1 - Power Supply
- 1 - 24 Key RGB Controller
- 1 - IR Control Receiver

Lights

Closet and Furniture Hardware



Grommets

Kitchen Accessories

DIY Lights For Use With:
Hallways
Stairs
Trails
Windows
Porches / Decks
Bridge Edge Lighting
Emergency Exit Rows
Ideal for Back Lighting

30 LEDs Per Meter, 150 LEDs Total

RGB FLEXIBLE LED STRIP LIGHT KIT / 3M ADHESIVE TAPE

FIXTURE	DESCRIPTION	BULB LIFE	COLOR TEMP	CRI	VOLTAGE	BEAM SPREAD	UV RATING
41-442KIT	RGB FLEX LIGHT	50,000 Hrg	RGB	75	12v DC	120°	Free
12V 24 KEY RGB CONTROLLER WITH REMOTE - (INCLUDED)							

Melamine

Shop Supplies

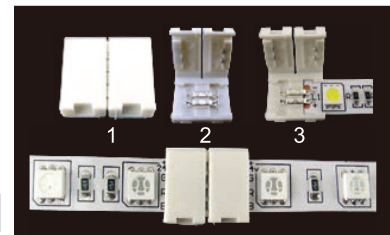


Item Number **H5.12401**

6" LED Quick Connector Strip To Strip Solderless Connector

H5.12401 6" LED RGB Corner Connector

H5.12402 LED RGB Quick Connector



Item Number **H5.12402**

LED RGB Quick Connector Strip to Strip Solderless Connector

Lighting

LED Power Supply & Accessories

- Universal AC Input / Full Range
- Built-In Active PFC Function, PF>0.95
- Protections: Short Circuit / OverLOAD / Over Voltage / Over Temperature
- Forced Air Cooling By Built-In DC Fan
- Built-In Fan On / Off Control
- Led Indicator For Power On
- Fixed Switching Frequency At 90khz



Item Number **H5.00024**



MODEL	Item Number H5.00024	
OUTPUT	DC VOLTAGE	24V
	RATED CURRENT	10A
	CURRENT RANGE	0 ~ 10A
	RATED POWER	240W
	RIPPLE & NOISE (max.) Note.2	150mVp-p
	VOLTAGE ADJ. RANGE	20~28V
	VOLTAGE TOLERANCE Note.3	±1.0%
	LINE REGULATION	±0.2%
	LOAD REGULATION	±0.5%
	SETUP, RISE TIME	800ms, 50ms/230VAC 1500ms, 50ms/115VAC at full load
HOLD UP TIME(Tye.)	20ms/230VAC 20ms/115VAC at full load	
INPUT	VOLTAGE RANGE Note.5	88 ~ 264VAC 124 ~370VDC
	FREQUENCY RANGE	47 ~ 63Hz
	POWER FACTOR(Typ.)	PF>0.95/230VAC PF>0.98/115VAC at full load
	EFFICIENCY (Typ.)	87%
	AC CURRENT (Typ.)	3.6A/115VAC 1.8A/230VAC
	INRUSH CURRENT (Typ.)	25A/115VAC 40A/230VAC
LEAKAGE CURRENT	<2mA / 240VAC	
PROTECTION	OVERLOAD	105 ~ 135% rated output power Protection type : Hiccup mode, recovers automatically after fault condition is removed
	OVER VOLTAGE	29.5 ~35V Protection type : Shut down o/p voltage, re-pwer on to recover
	OVER TEMPERATURE	90°C±5°C(5V, 7.5V), 85°C±5°C(12V, 15V,24V, 30V, 48V) (TSW1: detect on heatsink of power transistor) Protection type : Shut down o/p voltage, recovers automatically after temperature goes down
FUNCTION	FAN CONTROL	RTH2≥40° FAN ON, ≤35° FAN OFF(Typ.)
ENVIRONMENT	WORKING TEMP.	-20 ~ +70°C (Refer to output load derating curve)
	WORKING HUMIDITY	20 ~ 90% RH non-condensing
	STORAGE TEMP., HUMIDITY	-40 ~ +85°C, 10 ~ 95% RH
	TEMP. COEFFICIENT	±0.03%/°C (0 ~50°C)
	VIBRATION	10 ~500Hz, 2G 10min./1cycle, 60min. each along X, Y, Z axes
SAFETY & EMC (Note 6)	SAFETY STANDARDS	UL60950-1, TUV EN60950-1 approved
	WITHSTAND VOLTAGE	I/P-O/P: 3KVAC I/P-FG:1.5KVAC O/P-FG:0.5KVAC
	ISOLATION RESISTANCE	I/P-O/P, I/P-FG,O/P-FG:100M Ohms / 500VDC / 25°C / 70% RH
	EMI CONDUCTION & RADIATION	Compliance to EN55022(CISPR22) Class B
	HARMONIC CURRENT	Compliance to EN61000-3-2, -3
EMS IMMUNITY	Compliance to EN61000-4-2, 3, 4, 5, 6, 8, 11, ENV50204, EN55024, light industry level, criteria A	
OTHERS	MTBF	284Khrs min. MIL-HDBK-217F(25°C)
	DIMENSION	190*93*50mm(L*W*H)
	PACKING	0.8Kg; 18pcs/15.4Kg/1.04CUFT
NOTE	1. All parameters NOT specially mentioned are measured at 230VAC input, rated load and 25°C of ambient temperature. 2. Ripple & noise are measured at 20MHz of bandwidth by using a 12" twisted pair-wire terminated with a 0.1uf & 47uf parallel capacitor. 3. Tolerance : includes set up tolerance, line regulation and load regulation. 4. The power supply is considered a component which will be installed into a final equipment. The final equipment must be re-confirmed that it still meets EMC directives. 5. Derating may be needed under low input voltages, Please check the derating curve for more details.	

Hinges

Drawer Slides

Pulls and Knobs

Locks, Catches, Shelf Hardware

Lights

Closet and Furniture Hardware

Grommets

Kitchen Accessories

Melamine

Shop Supplies

Lighting

LED Power Supply & Accessories

- AC Input Range Selectable By Switch
- Protections: Short Circuit / OverLOAD / Over Voltage
- Cooling By Free Air Convection
- Led Indicator For Power On
- 100% Full LOAD Burn-In Test
- High Efficiency, Long Life And High Reliability



Item Number **H5.00012**



Pulls and Knobs

Locks, Catches, Shelf Hardware

Lights

Closet and Furniture Hardware

Grommets

Kitchen Accessories

Melamine

Shop Supplies

MODEL	Item Number H5.00012	
OUTPUT	DC VOLTAGE	12V
	RATED CURRENT	12.5A
	CURRENT RANGE	0 ~ 12.5A
	RATED POWER	150W
	RIPPLE & NOISE (max.) Note.2	120mVp-p
	VOLTAGE ADJ. RANGE	11.4 ~13.5V
	VOLTAGE TOLERANCE Note.3	±1.0%
	LINE REGULATION Note.4	±0.5%
	LOAD REGULATION Note.5	±0.5%
	SETUP, RISE TIME Note.7	800ms, 20ms/230VAC 1200ms, 30ms/115VAC at full load
HOLD UP TIME(Tye.)	24ms/230VAC 20ms/115VAC at full load	
INPUT	VOLTAGE RANGE	90 ~ 132VAC / 180~264VAC selected by switch 254 ~373VDC
	FREQUENCY RANGE	47 ~ 63Hz
	EFFICIENCY (Typ.)	83%
	AC CURRENT (Typ.)	3A/115VAC 2A/230VAC
	INRUSH CURRENT (Typ.)	COLD START 45A/230VAC
	LEAKAGE CURRENT	<2mA / 240VAC
PROTECTION	OVERLOAD	110 ~ 150% rated output power Protection type : Hiccup mode, recovers automatically after fault condition is removed
	OVER VOLTAGE	13.8 ~16.2V Protection type : Hiccup mode, recovers automatically after fault condition is removed
	WORKING TEMP.	-20 ~ +60°C (Refer to output load derating curve)
ENVIRONMENT	WORKING HUMIDITY	20 ~ 90% RH non-condensing
	STORAGE TEMP., HUMIDITY	-40 ~ +85°C, 10 ~ 95% RH
	TEMP. COEFFICIENT	±0.03%/°C (0 ~50°C)
	VIBRATION	10 ~500Hz, 2G 10min./1cycle, period for 60min. each along X, Y, Z axes
	SAFETY & EMC (Note 6)	SAFETY STANDARDS
WITHSTAND VOLTAGE		I/P-O/P: 3KVAC I/P-FG:1.5KVAC O/P-FG:0.5KVAC
ISOLATION RESISTANCE		I/P-O/P, I/P-FG,O/P-FG:100M Ohms/500VDC 70% RH
EMI CONDUCTION & RADIATION		Compliance to EN55022(CISPR22) Class B, GB9254 CLASS B
HARMONIC CURRENT		Compliance to EN61000-3-2, -3, GB17625.1
EMS IMMUNITY		Compliance to EN61000-4-2, 3, 4, 5, 6, 8, 11, ENV50204, EN55024, EN61000-6-1, heavy industry level, criteria A
OTHERS	MTBF	433.3Khrs min. MIL-HDBK-217F(25°C)
	DIMENSION	199*98*38mm(L*W*H)
	PACKING	0.7Kg; 20pcs/15Kg/0.72CUFT
NOTE	<ol style="list-style-type: none"> 1. All parameters NOT specially mentioned are measured at 230VAC input, rated load and 25°C of ambient temperature. 2. Ripple & noise are measured at 20MHz of bandwidth by using a 12" twisted pair-wire terminated with a 0.1uf & 47uf parallel capacitor. 3. Tolerance : includes set up tolerance, line regulation and load regulation. 4. Line regulation is measured from low line to high line at rated load. 5. Load regulation is measured from 0% to 100% rated load. 6. The power supply is considered a component which will be installed into a final equipment. The final equipment must be re-confirmed that it still meets EMC directives. 7. Length of set up time is measured at cold first start. Turning ON/OFF the power supply very quickly may lead to increase of the set up time. 	

Closets

Pull-Down Closet Rod



- Allows Convenient Access To Clothing At Any Height
- Available In 3 Sizes
- Each Size Is Adjustable In Width
- 44 Lb. Weight Rating



ORDER NUMBER	FINISH / SIZE
43-346	600 - 850 (23 5/8" - 33 7/16")
43-348	850 - 1100 (33 7/16" - 43 1/8")
43-352	Nickel/Black - 32 11/16" - 47 1/4"
43-354	Black - 32 11/16" - 47 1/4"
43-356	Aluminum - 23 5/8" - 32 11/16"
43-362	Aluminum - 17 3/4" - 23 5/8"
43-364	Nickel/Black - 17 3/4" - 23 5/8"
43-350	Black - 17 3/4" - 23 5/8"

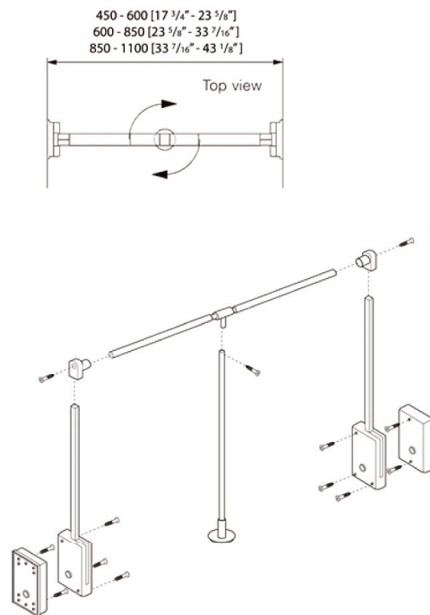
Hinges

Drawer Slides

Pulls and Knobs

Locks, Catches, Shelf Hardware

Lights



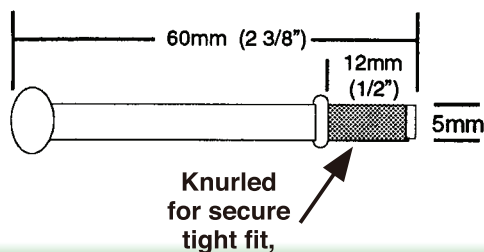
Closet and Furniture Hardware

Grommets

Kitchen Accessories

Melamine

CHROME 5MM HANGING PEG



Unlimited uses such as hanging purses, ties, belts, etc.
Fits 5mm hole - Chrome finish
Order Number **43-850**

Most of the merchandise in this catalog is available in all Hardware Imagination-Tech locations. If your selection isn't available at the store nearest you, we'll gladly order it from one of the other stores or through special order.

Shop Supplies

Closets

VALLET ROD AND HANGER

12" Chrome Plated Valet Rod 5023
Also available in satin chrome and brass
Order Number 43-384



Chrome Plated Hanger
Order Number

43-384**Chrome**

Hinges

Drawer Slides

Pulls and Knobs

Locks, Catches, Shelf Hardware

Lights

Closet and Furniture Hardware

Grommets

Kitchen Accessories

Melamine

Shop Supplies

BELT RACK



Item No.	Content	Body Size	For External
		(W x D x H)	Carcase Width
46-112	1 Belt Rack	3 1/2" x 18" x 3 1/2"	6"
46-114	1 Belt Rack	3 1/2" x 14" x 3 1/2"	6"

PANT HOLDER



Top Mount Full Extension

Item No.	Content	Body Size	For External
		(W x D x H)	Carcase Width
46-106	1 Pants Rack	13" x 18" x 4"	20"



Side Mount Rack

Item No.	Content	Body Size	For External
		(W x D x H)	Carcase Width
46-102	1 Right Side Mount Rack	13" x 20" x 4"	15"
46-104	1 Left Side Mount Rack	13" x 20" x 4"	15"

TIE & BELT RACK



Item No.	Content	Body Size	For External
		(W x D x H)	Carcase Width
46-108	1 Tie Rack	3 1/2" x 18" x 3 1/2"	6"

BELT RACK



Item No.	Content	Body Size	For External
		(W x D x H)	Carcase Width
46-110	1 Tie & Belt Rack	3 1/2" x 18" x 3 1/2"	6"

Closets

Suspension Brackets

Suspension Rail:

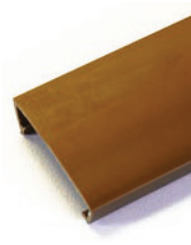
Suspension Rail will make quick work of any installation. The unique hole pattern allows the installer to quickly locate all of the stud locations.



Order Number	Description	Length	Material/Color
19-210	Suspension Rail	8'	Steel
19-219	Rail Cover	8'	Almond
19-206	Rail Cover	8'	Brown
19-217	Rail Cover	8'	White

Description:

- Self-Centering Suspension Rail - 16" Center To Center
- Hole Pattern Repeats Itself For A Quick Installment
- Rail Cover Available In 7 Colors



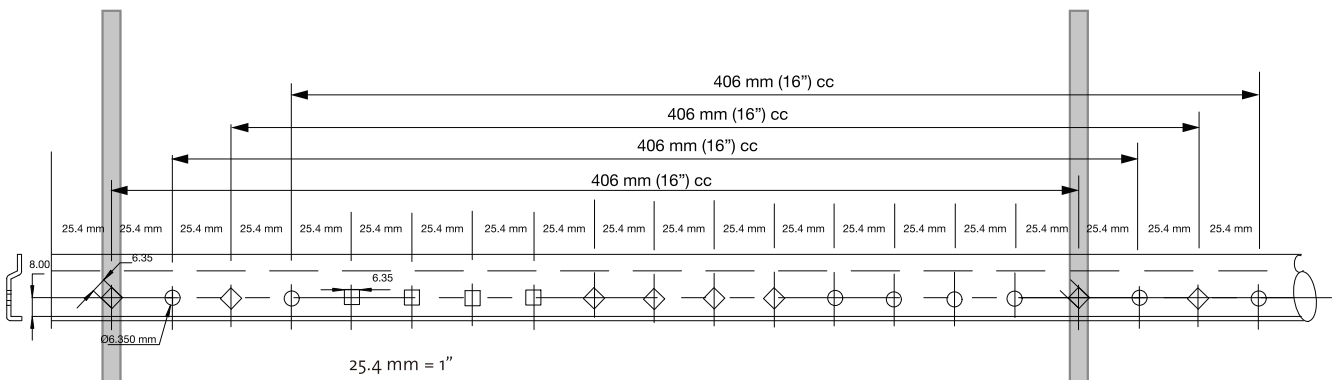
BROWN



ALMOND



WHITE



Simply find the first stud, identify the hole, there will be a stud every time the pattern repeats.

Hinges

Drawer Slides

Pulls and Knobs

Locks, Catches, Shelf Hardware

Lights

Closet and Furniture Hardware

Grommets

Kitchen Accessories

Melamine

Shop Supplies

Suspension Brackets

Hinges

Description:

- All Metal
- 286 Lbs. Carrying Capacity Per Wall Cabinet

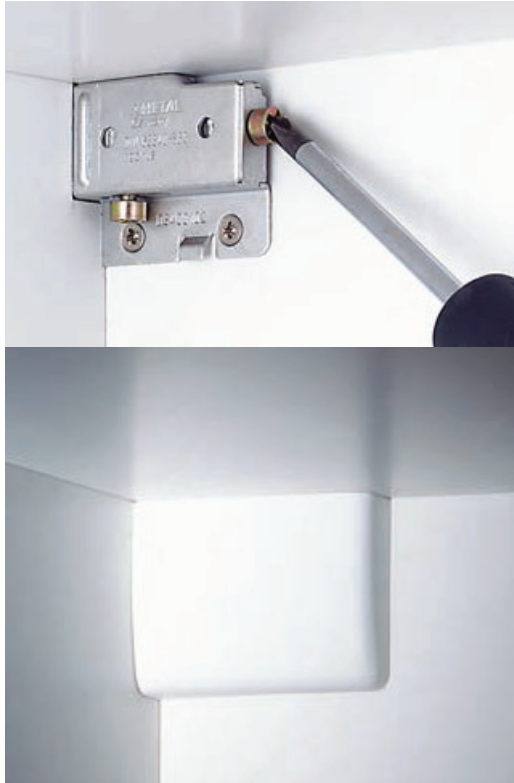
Drawer Slides

Pulls and Knobs

Locks, Catches, Shelf Hardware

Lights

Closet and Furniture Hardware



Grommets

Kitchen Accessories

Melamine



Shop Supplies

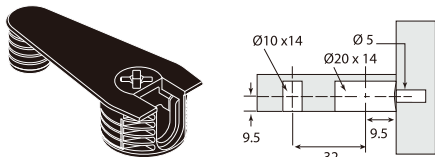
Description	Color	Left	Right
Suspension Bracket	Steel	19-212	19-214
Bracket with Cover Cap	White	19-211	19-215
Bracket with Cover Cap	Almond	19-213	19-216
Bracket with Cover Cap	Brown	19-207	19-209

Closets

Cam and Dowel Fittings



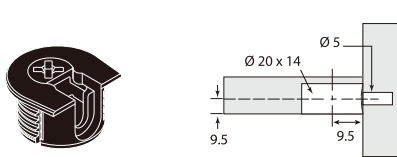
Outrigger - 19 mm (3/4")



Order Number	Description
19-280	White
19-281	Almond
19-282	Brown
19-283	Black



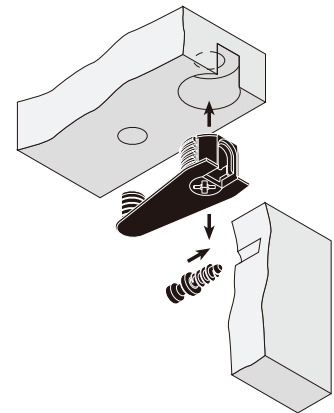
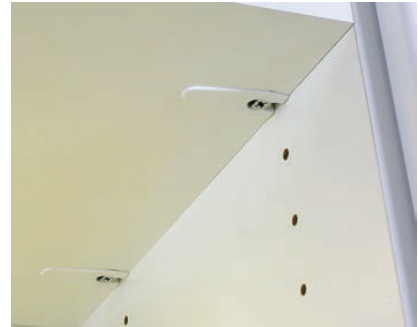
Non-outrigger - 19 mm (3/4")



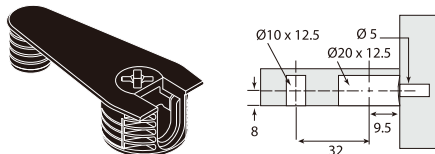
Order Number	Description
19-270	White
19-271	Almond
19-272	Brown
19-273	Black
19-274	Zinc

Description:

- All Metal Or Metal/Plastic
- Strong Vibration-Proof Connection
- For 16 mm And 19 mm Material

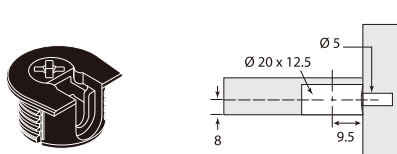


Outrigger - 16 mm (5/8")



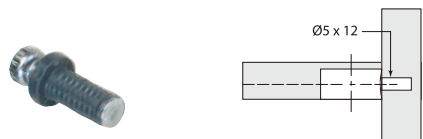
Order Number	Description
19-284	White
19-285	Almond
19-286	Brown
19-287	Black

Non-outrigger - 16 mm (5/8")

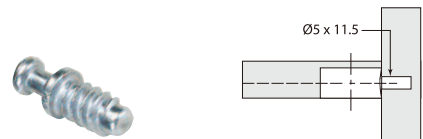


Order Number	Description
19-275	White
19-276	Almond
19-277	Brown
19-278	Black

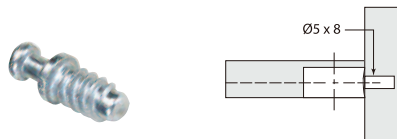
Connecting Dowel Fittings



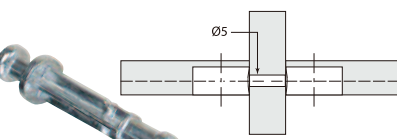
Order Number	Description
19-221	5mm X 12mm



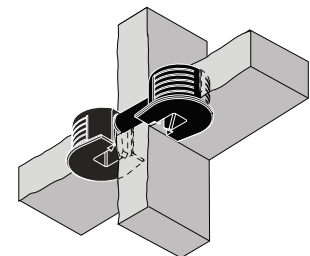
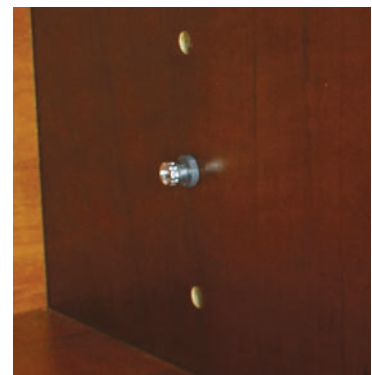
Order Number	Description
19-222	5mm X 11.5mm



Order Number	Description
19-224	5mm X 8mm



Order Number	Description
19-225	Double Dowel 5mm



Hinges

Drawer Slides

Pulls and Knobs

Locks, Catches, Shelf Hardware

Lights

Closet and Furniture Hardware

Grommets

Kitchen Accessories

Melamine

Shop Supplies

Closets

CLOSET RODS AND SOCKETS

ROUND CLOSET ROD

Hinges

**ORDER
NUMBER**

DIMENSIONS

FINISH

43-812

1" x 8'

Polished Chrome

43-822

1-1/16" x 12'

Chrome on Steel

Drawer
Slides



Pulls
and
Knobs

Locks,
Catches,
Shelf
Hardware

END SOCKETS

**ORDER
NUMBER**

**SOCKET
TYPE**

SIZE

FINISH

43-268

Closed

1"

Chrome

43-810

Closed

1-1/16"

Chrome

43-270

Open

1-1/16"

Chrome

Lights

43-270 Can be used with 1" Rod

Closet
and
Furniture
Hardware

OVAL CLOSET ROD

**ORDER
NUMBER**

LENGTH

FINISH

43-694

8'

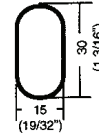
Nickel

43-712

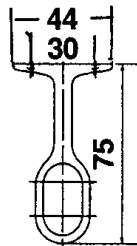
10'

Nickel

Grommets



Kitchen
Accessories



CENTER SUPPORT

**ORDER
NUMBER**

FINISH

43-680

Chrome Plated

Melamine

Shop
Supplies

END SOCKETS

**ORDER
NUMBER**

Attachment

FINISH

43-710

Pins for 32mm

Nickel

43-700

Screw-On

Nickel



LEG LEVELERS

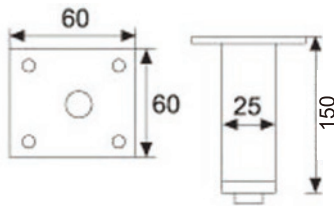
Metal Legs

- Individually Bagged
- Weight Rating 1000 Lbs Per Set

Hinges

SQUARE NICKEL BSN CABINET LEG

- Material: Iron
- Finished: Brushed Satin Nickel
- Height: Adjustable 147mm to 155mm

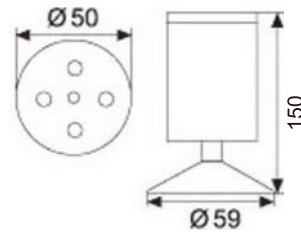


Order Number.....55-260



FLUTED DESIGN CABINET LEG

- Material: Aluminum Alloy
- Finished: Polished Chrome
- Height: 150mm



Order Number.....55-262



Drawer Slides

Pulls and Knobs

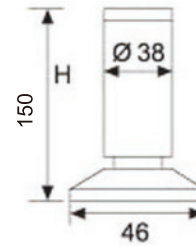
Locks, Catches, Shelf Hardware

Lights

38MM ROUND ALUMINUM CABINET

- Material: Aluminum Alloy
- Finish: Matt Aluminum
- Height: 150mm

Order Number.....55-258



Closet and Furniture Hardware

Grommets

Kitchen Accessories



ORDER NUMBER

- 43-184.....Matte Black
- 43-186.....Polished Chrome
- 43-188.....White
- 43-190.....Satin Chrome

710mm Leg
With height adjustment



ORDER NUMBER

- 5100-000LEFT
- 5100-001RIGHT

Melamine

Shop Supplies

LEG LEVELERS

Production Leg Levelers

Hinges

Features:

- Rated 1,500 lbs. per cabinet
- Prevent water damage
- Prevent freight damage
- Better board cutting yield
- Electrical & plumbing accessibility
- Large cabinets fit through doorways
- Easier installation

Drawer Slides

Pulls and Knobs

Locks, Catches, Shelf Hardware

Lights

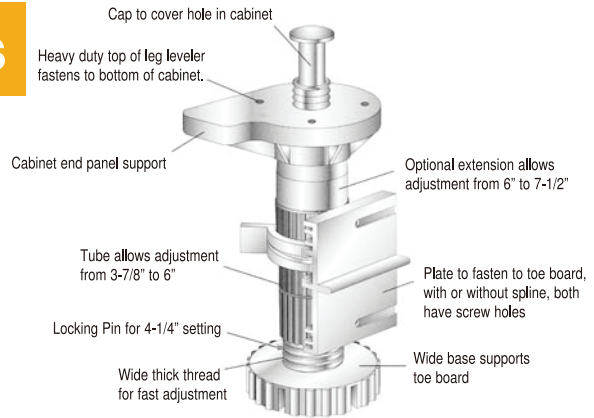
Closet and Furniture Hardware

Grommets

Kitchen Accessories

Melamine

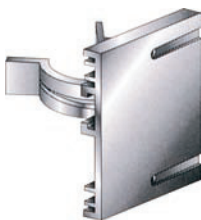
Shop Supplies



Leg with Screw-on Socket
Order Number 23-400
 Packaged 400 legs



Leg with 20mm Knock-In Socket
Order Number 23-402
 Packaged 400 legs



Toe Kick Clip Screw-on
Order Number 23-412
 Packaged 100 Pieces



Toe Kick Clip Groove Mount
Order Number 23-414
 Packaged 100 Pieces



1-3/4" Leg Extension
Order Number 23-410
 Packaged 100 Pieces



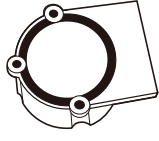
20mm Leg Leveler Cap
Order Number 23-416
 Packaged 100 Pieces



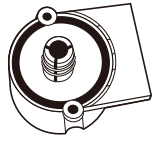
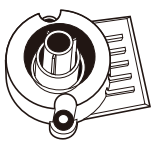
35mm Leg Leveler Cap
Order Number 23-418
 Packaged 100 Pieces

LEG LEVELERS

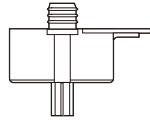
Production Leg Levelers



Screw On
Order Number
23-426



Expandable Dowel
Order Number
23-434



SIZE 15mm



Hinges

Drawer Slides

Pulls and Knobs

Locks, Catches, Shelf Hardware

Lights

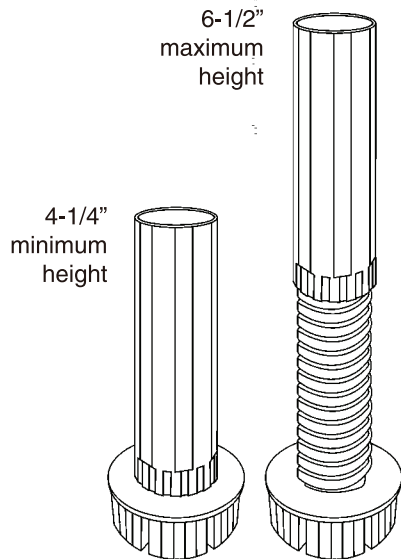
Closet and Furniture Hardware

Grommets

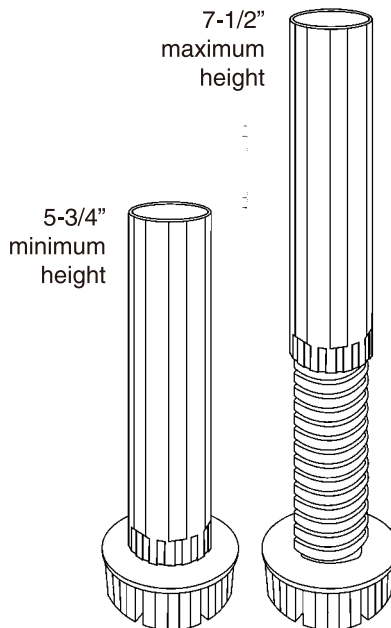
Kitchen Accessories

Melamine

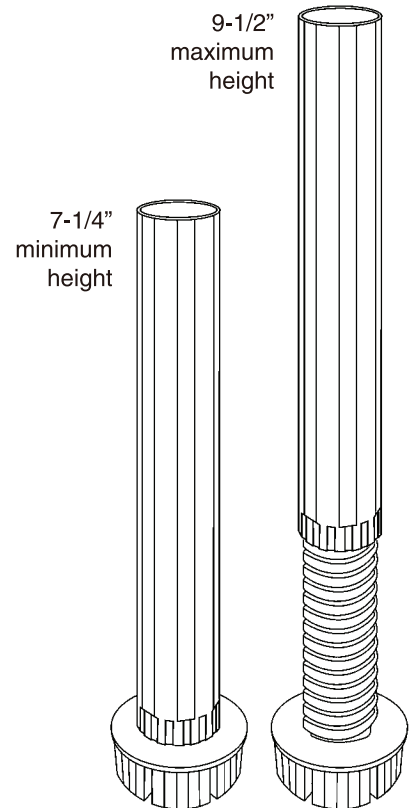
Shop Supplies



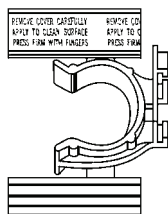
Order Number
23-436



Order Number
23-438

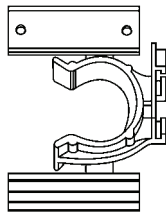


Order Number
23-428



CLIP WITH ADHESIVE & SPLINE

Order Number
23-432



CLIP WITH SCREW-ON & SPLINE

Order Number
23-430



METAL CLIP WITH PLASTIC PLATE AND DOUBLE SIDED ADHESIVE
Order Number
23-440

LEG LEVELERS

Aluminum Toe Kickes

Hinges

Drawer Slides

Pulls and Knobs

Locks, Catches, Shelf Hardware

Lights

Closet and Furniture Hardware



13' Aluminum Toe Kick

PART #	DESCRIPTION	HEIGHT
H5191-120	13' PVC 120mm Aluminum Foiled Cabinet Toe Kick	120 mm
H5191-150	13' PVC 150mm Aluminum Foiled Cabinet Toe Kick	150 mm
H5190-120	120mm Aluminum Foiled 90° Corner Bracket	120 mm
H5190-150	150mm Aluminum Foiled 90° Corner Bracket	150 mm
H5180-120	120mm Aluminum Foiled 0°-180° Flexible Corner Bracket	120 mm
H5180-150	150mm Aluminum Foiled 0°-180° Flexible Corner Bracket	150 mm
H5197-000	Plastic Toe Kick Clip for PVC Aluminum	

Grommets

Kitchen Accessories

Melamine

Shop Supplies



Easily Create 90° Angles With Corner Bracket **5190**

Easily Create Any Degree Inside or Outside Angles With Flexible Corner **5180**

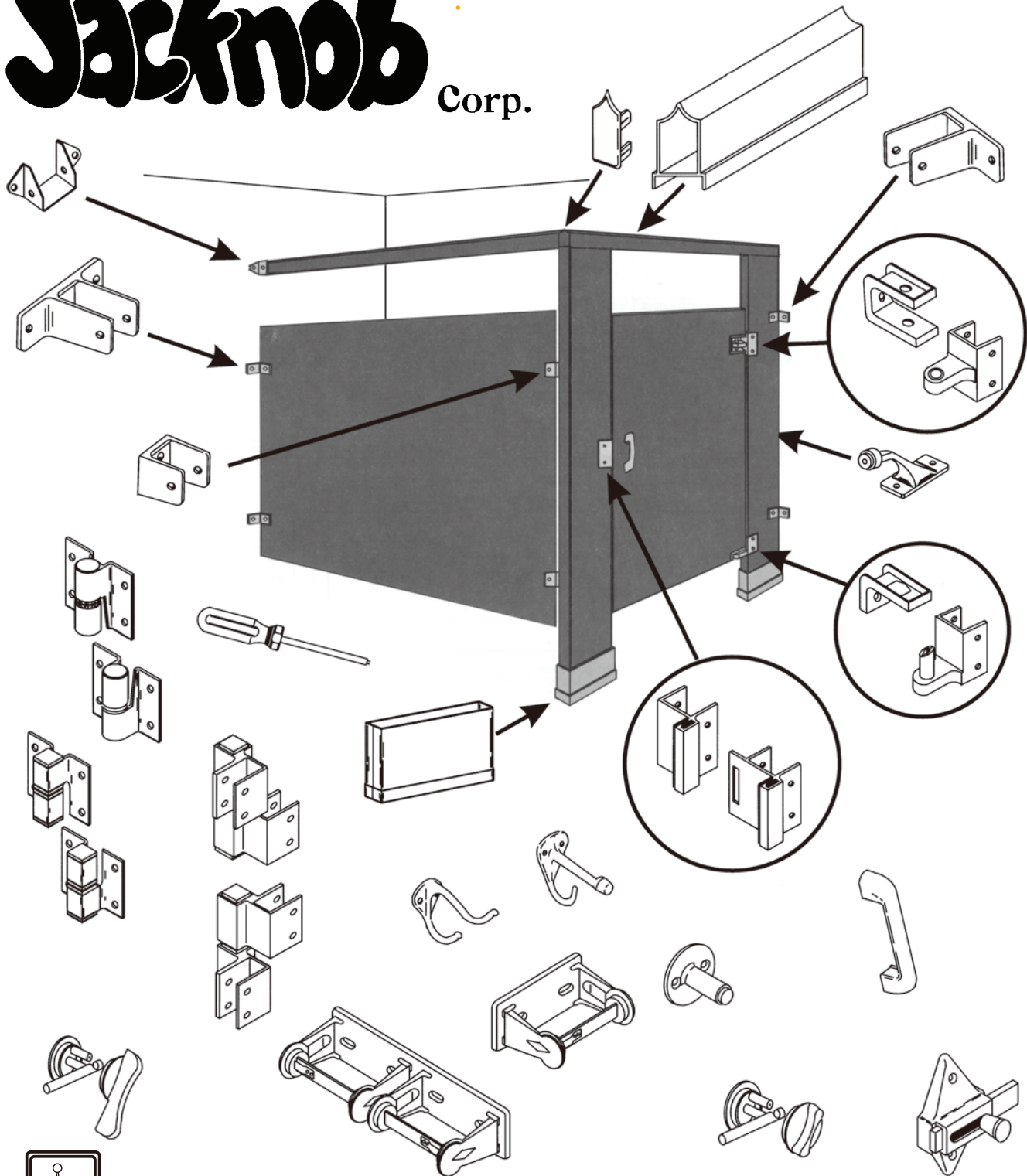


Notched for Easy Installation of Clip **5198-000**

Bi-Fold Door Hardware

Toilet Partition Hardware

Jacknob[®] Corp.



Hinges

Drawer Slides

Pulls and Knobs

Locks, Catches, Shelf Hardware

Lights

Closet and Furniture Hardware

Grommets

Kitchen Accessories

Melamine

Shop Supplies



The Hardware Makes The Difference

Bi-Fold Door Hardware

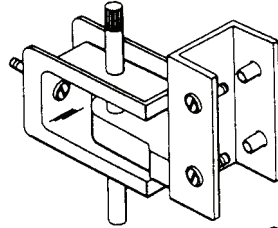


Toilet Partition Hardware

Hinges

In-Swing Hardware

Drawer Slides



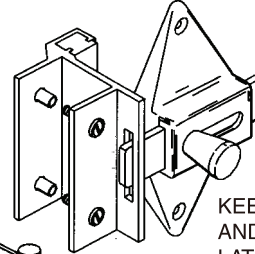
TOP DOOR HINGE

7/8" In-swing door pak. for doors 7/8" thick & pilasters 1-1/4" thick

ORDER NUMBER

29-102

Pulls and Knobs



KEEPER AND SLIDE LATCH

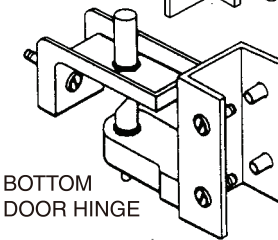
1" In-swing door pak. for doors 1" thick & pilasters 1-1/4" thick

ORDER NUMBER

29-106

Locks, Catches, Shelf Hardware

Lights



BOTTOM DOOR HINGE

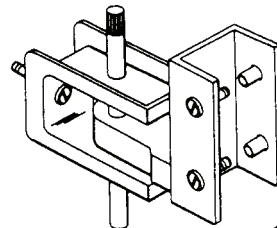


Packaged with all necessary hardware and screws to install one door.

Closet and Furniture Hardware

Out-Swing Hardware

Grommets



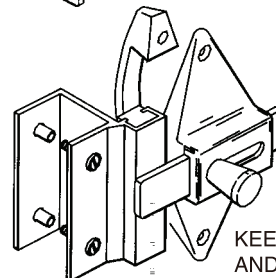
TOP DOOR HINGE

7/8" Out-swing door pak. for doors 7/8" thick & pilasters 1-1/4" thick

ORDER NUMBER

29-104

Kitchen Accessories



KEEPER AND SLIDE LATCH

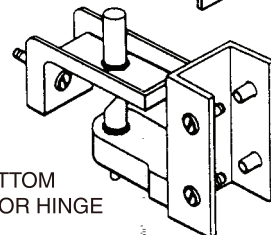
1" Out-swing door pak. for doors 1" thick & pilasters 1-1/4" thick

ORDER NUMBER

29-108

Melamine

Shop Supplies



BOTTOM DOOR HINGE



Packaged with all necessary hardware and screws to install one door.

Bi-Fold Door Hardware



Toilet Partition Hardware

Hinges

1-1/4" Pilaster Pak



Wall brackets for pilaster to wall

ORDER NUMBER
29-110

ALL SCREWS & ANCHORS INCLUDED

7/8" Urinal Screen Pak



Any size

ORDER NUMBER
29-116
Wall brackets

ORDER NUMBER
29-118

ALL SCREWS & ANCHORS INCLUDED

7/8" Alcove Pak



Alcove clip for panel to panel

Wall brackets for panel to wall



ORDER NUMBER
29-114

ALL SCREWS & ANCHORS INCLUDED

7/8" Panel Pak



Wall brackets for panel to wall

"U" brackets for panel to pilaster



ORDER NUMBER
29-112

ALL SCREWS & ANCHORS INCLUDED

Drawer Slides

Pulls and Knobs

Locks, Catches, Shelf Hardware

Angle Panel Pak



Wall brackets for most panel sizes

ORDER NUMBER
29-120

ALL SCREWS & ANCHORS INCLUDED

Roll Paper Holders



ORDER NUMBER
Single **29-136**



ORDER NUMBER
Double **29-138**

S/S Pilaster Shoe Pak

S/S Shoe pak for standard size pilasters



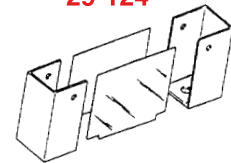
ORDER NUMBER
4" **29-126**
6" **29-128**
8" **29-130**
10" **29-132**
12" **29-134**

ALL SCREWS & ANCHORS INCLUDED

ORDER NUMBERS

Shoe Pak
29-122

3" x 10" S/S spacer plate
29-124



S/S Adjustable shoe for odd size pilasters

Lights

Closet and Furniture Hardware

Grommets

Kitchen Accessories

Head Rail End Cap



Wall brackets for most panel sizes

ORDER NUMBER
29-172

Head Rail Brackets

Chrome Plated



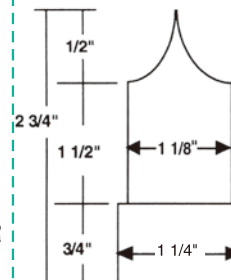
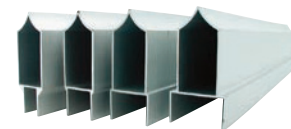
ORDER NUMBER
For 1-1/8" rail **29-180**
For 1-3/8" rail **29-182**

One-Way Screw Remover



ORDER NUMBER
29-140

Toilet Partition Header Rail



ORDER NUMBER
29-174

LENGTH
10'

Melamine

Shop Supplies

Bi-Fold Door Hardware

Toilet Partition Hardware

Jacknob[®]
Corp.

Hinges

Drawer Slides

Pulls and Knobs

Locks, Catches, Shelf Hardware

Lights

Closet and Furniture Hardware

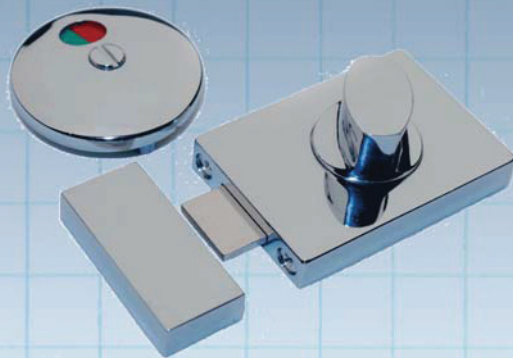
Grommets

Kitchen Accessories

Melamine

Shop Supplies

New Products

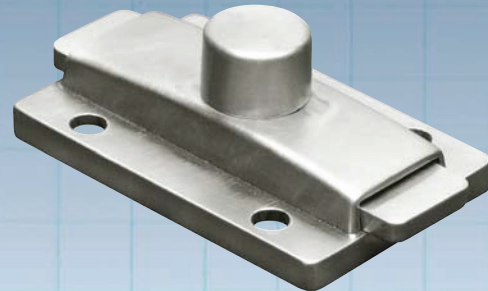


INDICATOR LATCH with KEEPER

For 1" Thick Doors

4770 - Brite Chrome Finish

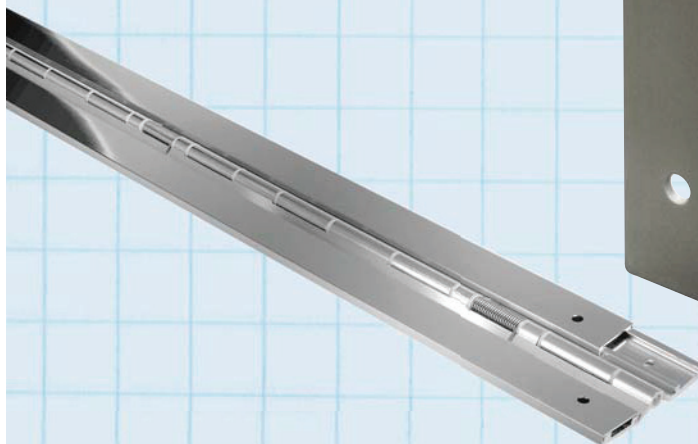
4778 - Satin Chrome Finish



6983 - SLIDE LATCH

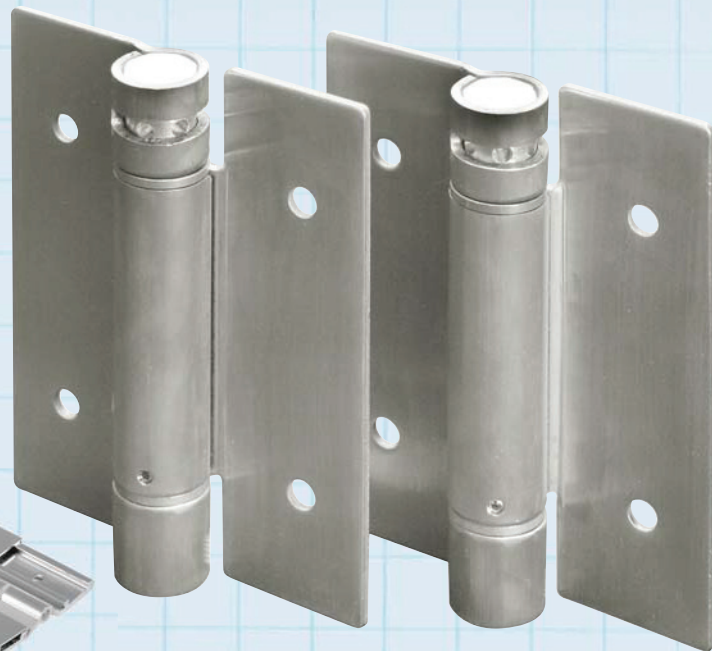
Heavy Duty Cast Stainless Steel Design

For more details, please see page 18.



8668 - PIANO HINGE ALUMINUM - with COVER

Self-Closing Spring Design
54" Long with Brite-Dip Finish



SPRING LOADED SURFACE HINGE

Heavy Duty Stainless Steel

Tension Adjustable

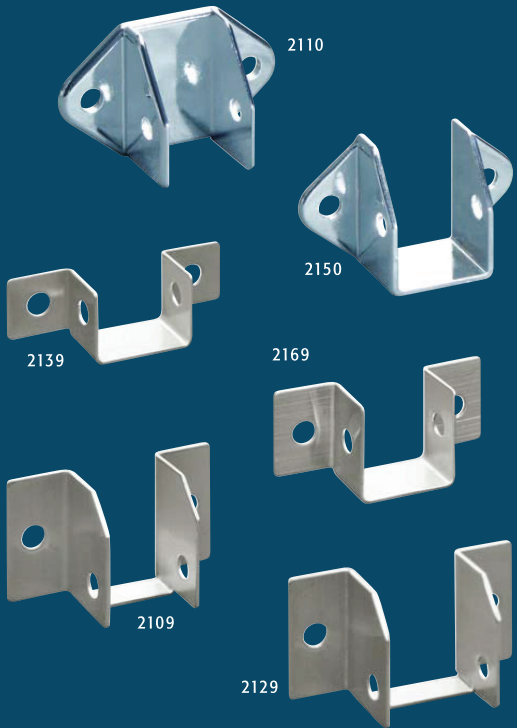
8643 4" High - Polished, 8649 4" High - Satin

8653 5" High - Polished, 8659 5" High - Satin

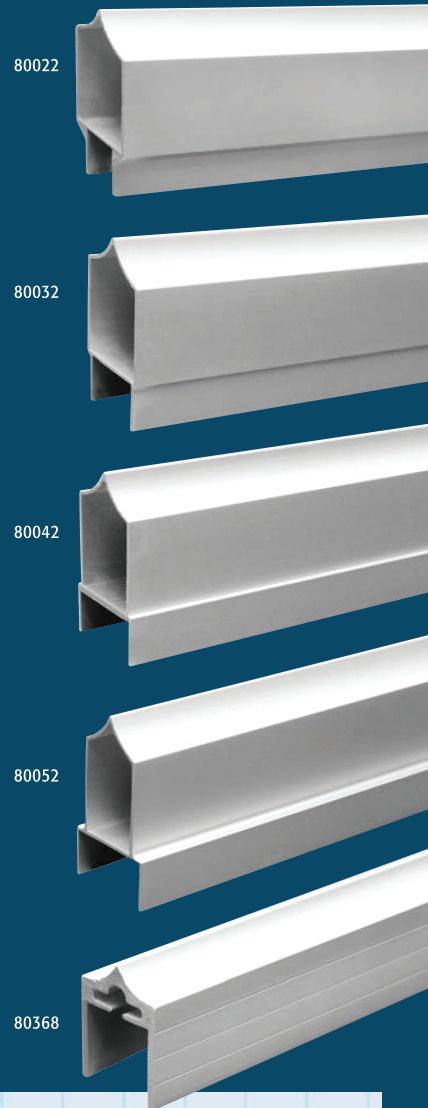
Bi-Fold Door Hardware



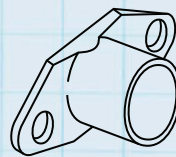
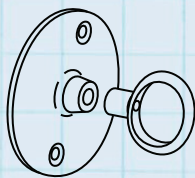
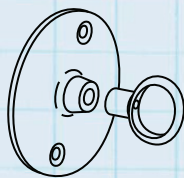
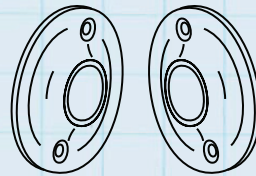
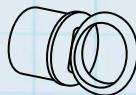
Toilet Partition Hardware Headrails & Headrail Brackets



POST SIZE	LENGTHS			
	62"	84"	8-1/2'	10'
1/2"			80022	80122
3/4"			80032	80132
1"			80042	80142
1-1/4"			80052	80152
3/4"				80188
1"	80268	80368		80168



POST SIZE	CHROME PLATED ZAMAC	ANODIZED ALUMINUM EXTRUSION	STAMPED STAINLESS STEEL	DESCRIPTION
HEADRAIL CONNECTOR PACKS				
3/4"		15762		Headrail Connector Pack (with Fasteners)
1"		15772		Headrail Connector Pack (with Fasteners)
1-1/4"		15782		Headrail Connector Pack (with Fasteners)
HEADRAIL BRACKETS				
1"	2110			Headrail Bracket (ASP)
1"			2139	Headrail Bracket (Mini)
1"	2150		2168	Headrail Bracket
1-1/4"	2170	2172*	2179	Headrail Bracket *(Aluminum Paintde Zamac)
3/4"			2109	For Headrail with Track
1"			2129	For Headrail with Track
1-1/4"			2579	For Headrail with Track



PAPER ROLL HOLDERS	
CHROME PLATED STEEL	DESCRIPTION
7359	Single Roll Paper Holder
207359	Single Roll (Case of 50)
7369	Double Roll Paper Holder
207369	Double Roll (Case of 25)
CURTAIN ROD FLANGES	
CHROME PLATED STEEL	DESCRIPTION
16120	3/4" Eye Loop Pack (with Fasteners)
16110	1" Eye Loop Pack (with Fasteners)
6220	1" End Flange
16140	1" Rod Holder Set (with Fasteners)
6130	1" Eye Loop (2 pc)

Hinges

Drawer Slides

Pulls and Knobs

Locks, Catches, Shelf Hardware

Lights

Closet and Furniture Hardware

Grommets

Kitchen Accessories

Melamine

Shop Supplies

Special Order items

Bi-Fold Door Hardware

Toilet Partition Hardware Surface Mounted Door Packs

Jacknob Corp.

All packs are supplied with series #4000 door hooks and mounting hardware.

Hinges



7011



7113

Drawer Slides

Pulls and Knobs

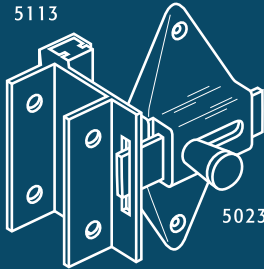


7073

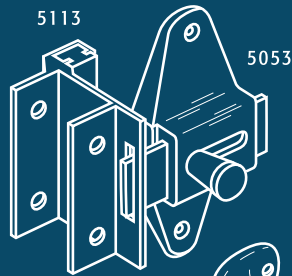
Locks, Catches, Shelf Hardware

CHROME PLATED ZAMAC				CONTENTS					ALSO AVAILABLE IN	
DOOR SIZE	POST SIZE	PART #	SWING OF DOOR	LATCH	HINGE SET	STRIKE/KEEPER	ONE PC. STRIKE	ONE PC. KEEPER	CHROME PLATED BRASS	POLISHED BRASS
1/2"	1/2"	20510	LH-IN	5030	7021		5170	5160		20512
1/2"	1/2"	20520	RH-IN	5030	7011		5170	5160		
1/2"	3/4"	20410	LH-IN	5020	7021		5170	5160		
1/2"	3/4"	20420	RH-IN	5020	7011		5170	5160		
3/4"	3/4"	20450	LH-IN	5030	7021		5170	5160	20451	20452
3/4"	3/4"	20460	RH-IN	5030	7011		5170	5160	20461	20462
3/4"	1"	20550	LH-IN	5020	7021		5170	5160	20551	
3/4"	1"	20560	RH-IN	5020	7011		5170	5160	20561	
3/4"	1"	70500	LH-IN	5050	7021		5170	5160		70502
3/4"	1"	70510	RH-IN	5050	7011		5170	5160		70512
3/4"	1"	20610	LH-IN	5020	7083		5170	5160		
3/4"	1"	20620	RH-IN	5020	7083		5170	5160		
1"	1"	20650	LH-IN	5020	7123	5620				
1"	1"	20660	RH-IN	5020	7113	5620				
1"	1"		LH-IN	5701	7021		5171		20801	
1"	1"		RH-IN	5701	7011		5171		20811	
1"	1-1/4"	20100	LH-IN	5020	7021	5110			20101	20102
1"	1-1/4"	20110	RH-IN	5020	7011	5110			20111	20112

Lights



5113



5053

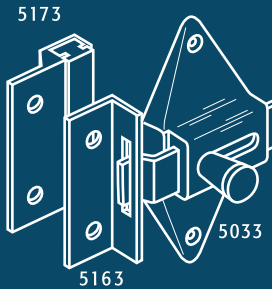


4003

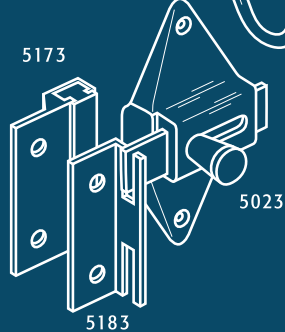
5023

Closet and Furniture Hardware

Grommets



5173



5173

5023

5163

5183

Kitchen Accessories

Melamine

CAST STAINLESS STEEL				CONTENTS				
DOOR SIZE	POST SIZE	PART #	SWING OF DOOR	LATCH	HINGE SET	STRIKE/KEEPER	ONE PC. STRIKE	ONE PC. KEEPER
1/2"	3/4"	70543	LH-IN	5023	7123		5173	5163
1/2"	3/4"	70553	RH-IN	5023	7113		5173	5163
3/4"	3/4"	20453	LH-IN	5033	7123		5173	5163
3/4"	3/4"	20463	RH-IN	5033	7113		5173	5163
3/4"	3/4"	20943	LH-IN	5033	7423		5173	5163
3/4"	3/4"	20953	RH-IN	5033	7413		5173	5163
3/4"	1"	20553	LH-IN	5023	7083	5623		
3/4"	1"	20563	RH-IN	5023	7073	5623		
3/4"	1"	70503	LH-IN	5050	7083		5170	5160
3/4"	1"	70513	RH-IN	5050	7073		5170	5160
3/4"	1"	20613	LH-IN	5023	7043	5113		
3/4"	1"	20623	RH-IN	5023	7033	5113		
1"	1"	20653	LH-IN	5033	7123	5623		
1"	1"	20663	RH-IN	5033	7113	5623		
1"	1-1/4"	20903	LH-IN	5023	7423		5173	5163
1"	1-1/4"	20913	RH-IN	5023	7413		5173	5163
1"	1-1/4"	20103	LH-IN	5023	7083	5113		
1"	1-1/4"	20113	RH-IN	5023	7073	5113		
1"	1-1/4"	20123	LH-IN	5023	7123	5113		
1"	1-1/4"	20133	RH-IN	5023	7113	5113		

Shop Supplies



7413



7043

STAMPED STAINLESS STEEL				CONTENTS			
DOOR SIZE	POST SIZE	PART #	SWING OF DOOR	LATCH	HINGE SET	ONE PC. STRIKE	ONE PC. KEEPER
3/4"	3/4"	20459	LH-IN	6309	7123	6329	6319
3/4"	3/4"	20469	RH-IN	6309	7113	6329	6319
3/4"	3/4"	20949	LH-IN	6309	7083	6369	6499
3/4"	3/4"	20959	RH-IN	6309	7073	6369	6499
3/4"	1"	20019	LH-IN	6409	7043		6539
3/4"	1"	20029	RH-IN	6409	7033		6539
3/4"	1"	20559	LH-IN	6309	7083	6369	6499
3/4"	1"	20569	RH-IN	6309	7073	6369	6499
7/8"	1-1/4"	21909	LH-IN	6309	7423	6389	6499
7/8"	1-1/4"	21919	RH-IN	6309	7413	6389	6499
1"	1"	20109	LH-IN	6309	7089	6449	6499
1"	1"	20119	RH-IN	6309	7079	6449	6499

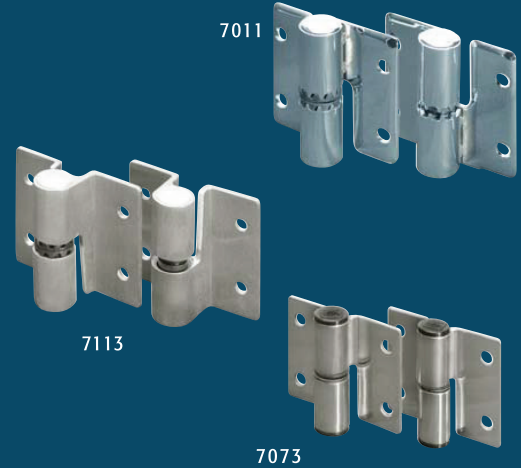
Bi-Fold Door Hardware



Toilet Partition Hardware Surface Mounted Door Packs

All packs are supplied with series #4020 door hooks and mounting hardware.

CHROME PLATED ZAMAC			CONTENTS						ALSO AVAILABLE IN	
DOOR SIZE	POST SIZE	PART #	SWING OF DOOR	LATCH	HINGE SET	STRIKE/KEEPER	ONE PC. STRIKE	ONE PC. KEEPER	CHROME PLATED BRASS	POLISHED BRASS
1/2"	1/2"	20530	LH-OUT	5020	7011		5170	6200		
1/2"	1/2"	20540	RH-OUT	5020	7021		5170	6200		
1/2"	3/4"	20430	LH-OUT	5020	7011		5170	6200		
1/2"	3/4"	20440	RH-OUT	5020	7021		5170	6200		
3/4"	3/4"	20470	LH-OUT	5020	7011		5170	6200		20472
3/4"	3/4"	20480	RH-OUT	5020	7021		5170	6200		20482
3/4"	1"	20570	LH-OUT	5020	7011		5170	6200	20571	
3/4"	1"	20580	RH-OUT	5020	7021		5170	6200	20581	
3/4"	1"	70520	LH-OUT	5020	7011		5170	5400		70522
3/4"	1"	70530	RH-OUT	5020	7021		5170	5400		70532
3/4"	1"	20630	LH-OUT	5020	7073		5170	6200		
3/4"	1"	20640	RH-OUT	5020	7083		5170	6200		
1"	1"	20670	LH-OUT	5020	7113		5170	6200		
1"	1"	20680	RH-OUT	5020	7123		5170	6200		
1"	1"		LH-OUT	5701	7011		5171	5401	20821	
1"	1"		RH-OUT	5701	7021		5171	5401	20831	
1"	1-1/4"	20200	LH-OUT	5020	7011	5210		6200	20201	20202
1"	1-1/4"	20210	RH-OUT	5020	7021	5210		6200	20211	20212



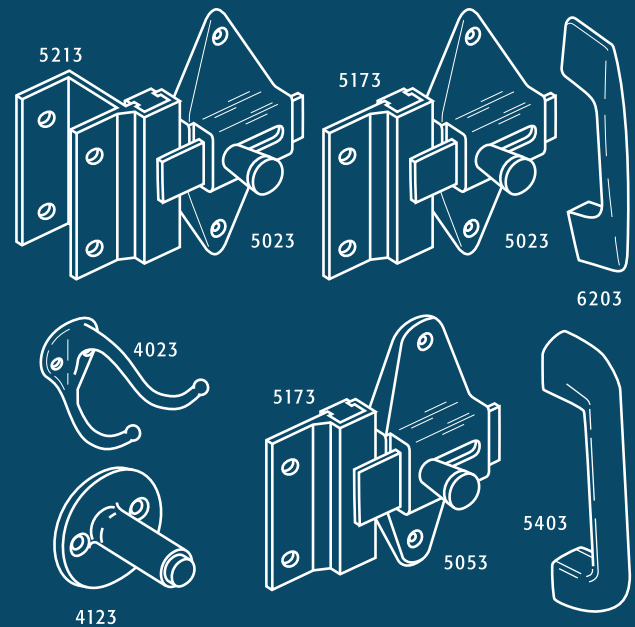
Hinges

Drawer Slides

Pulls and Knobs

Locks, Catches, Shelf Hardware

CAST STAINLESS STEEL			CONTENTS						
DOOR SIZE	POST SIZE	PART #	SWING OF DOOR	LATCH	HINGE SET	STRIKE/KEEPER	ONE PC. STRIKE	DOOR PULL	DOOR STOP
1/2"	3/4"	70563	LH-OUT	5023	7113		5173	6203	
1/2"	3/4"	70573	RH-OUT	5023	7123		5173	6203	
3/4"	3/4"	20473	LH-OUT	5023	7113		5173	6203	
3/4"	3/4"	20483	RH-OUT	5023	7123		5173	6203	
3/4"	3/4"	20963	LH-OUT	5023	7413		5173	6203	
3/4"	3/4"	20973	RH-OUT	5023	7423		5173	6203	
3/4"	1"	20573	LH-OUT	5023	7073	5723		6203	
3/4"	1"	20583	RH-OUT	5023	7083	5723		6203	
3/4"	1"	70523	LH-OUT	5050	7073		5170	5400	
3/4"	1"	70533	RH-OUT	5050	7083		5170	5400	
3/4"	1"	20633	LH-OUT	5023	7033	5213		6203	
3/4"	1"	20643	RH-OUT	5023	7043	5213		6203	
1"	1"	20673	LH-OUT	5023	7113	5723		6203	
1"	1"	20683	RH-OUT	5023	7123	5723		6203	
1"	1-1/4"	20923	LH-OUT	5023	7413		5173	6203	4123
1"	1-1/4"	20933	RH-OUT	5023	7423		5173	6203	4123
1"	1-1/4"	20203	LH-OUT	5023	7073	5213		6203	
1"	1-1/4"	20213	RH-OUT	5023	7083	5213		6203	
1"	1-1/4"	20223	LH-OUT	5023	7113	5213		6203	4123
1"	1-1/4"	20233	RH-OUT	5023	7123	5213		6203	4123



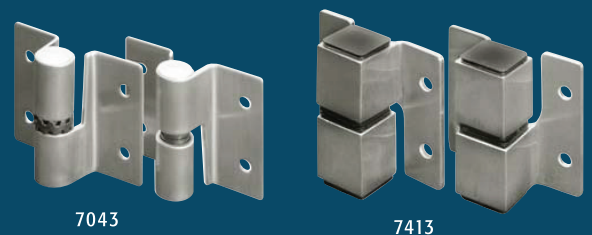
Lights

Closet and Furniture Hardware

Grommets

Kitchen Accessories

STAMPED STAINLESS STEEL			CONTENTS					
DOOR SIZE	POST SIZE	PART #	SWING OF DOOR	LATCH	HINGE SET	STRIKE/KEEPER	DOOR PULL	DOOR STOP
3/4"	3/4"	20479	LH-OUT	6309	7113	6329	6419	
3/4"	3/4"	20489	RH-OUT	6309	7123	6329	6419	
3/4"	3/4"	20969	LH-OUT	6309	7413	6379	6203	
3/4"	3/4"	20979	RH-OUT	6309	7423	6379	6203	
3/4"	1"	20039	LH-OUT	6309	7033	6569	6419	4129
3/4"	1"	20049	RH-OUT	6309	7043	6569	6419	4129
3/4"	1"	20579	LH-OUT	6309	7089	6379	6419	
3/4"	1"	20589	RH-OUT	6309	7079	6379	6419	
7/8"	1-1/4"	21929	LH-OUT	6309	7413	6399	6419	
7/8"	1-1/4"	21939	RH-OUT	6309	7423	6399	6419	
1"	1"	20209	LH-OUT	6309	7079	6559	6419	
1"	1"	20219	RH-OUT	6309	7089	6559	6419	



Melamine

Shop Supplies

Special Order items

Bi-Fold Door Hardware

Toilet Partition Hardware Strike & Keepers Square Edge Posts



Hinges

Drawer Slides

Pulls and Knobs

Locks, Catches, Shelf Hardware

Lights

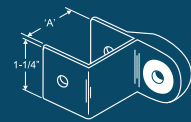
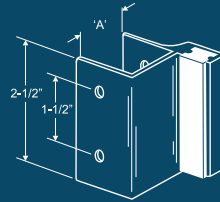
Closet and Furniture Hardware

Grommets

Kitchen Accessories

Melamine

Shop Supplies



"A" POST SIZE	DESCRIPTION	CHROME PLATED ZAMAC	"SATIN" FINISH ZAMAC	CHROME PLATED BRASS	POLISHED BRASS	CAST STAINLESS STEEL	ALUMINUM EXTRUSION (CLEAR ANODIZE)	ALUMINUM EXTRUSION (BRITE-DIP)
1"		5620				5623	5624	5628
1-1/8"	Inswing for Slide Latch	56104						
1-1/4"		5110	5118	5111	5112	5113		
3/4"						4913		
1"	Outswing for Slide Latch	5720				5723	5724	5728
1-1/8"		57104						
1-1/4"		5210	5218	5211	5212	5213		
1"	Inswing or Outswing for Concealed Latches	5730				5733		
1-1/4"		5230		5231	5232	5233		
1-1/4"	Inswing or Outswing for Concealed Latches	5220						
3/4"						4903		
1"	Inswing for Throw Latch (Emergency Access)	5820				5823	5824	
1-1/4"		5340		5341	5342	5343		
FLATS								
ALL	Inswing for Slide Latch	5140	5148	5141	5142	5143	5144	85148
ALL	Inswing or Outswing for Concealed Latches	5240		5241	5242	5243		
ALL	Outswing for Slide Latch	5260		5261	5262	5263	5264	85268
ALL	Inswing for Throw Latch (Emergency Access)	5280		5281	5282	5283		
HALVES & SETS								
ALL	Inswing keeper for Slide Latch	5160		5161	5162	5163	5164	
ALL	Inswing or Outswing Strike for Slide Latches	5170		5171	5172	5173	5174	
ALL	Inswing keeper for Throw Latch (Emergency Access)	5180		5181	5182	5183	5184	
ALL	Inswing keeper for Throw Latch (Emergency Access) - Short Slot	111770						
ALL	Strike & keeper 2 pc Pack (5160 & 5170)	5680				5683		
6" HIGH ALUMINUM								
1"	Inswing						5778	
1"	Outswing						5878	
ALL	Inswing (Flat)						5798	
ALL	Outswing (Flat)						5898	
HALF HEIGHT								
1-1/4"	Inswing or Outswing for Concealed Latches	5960				5963		
1-1/4"	Outswing for Slide Latch	5970				5973		
1-1/4"	Inswing for Throw Latch (Emergency Access)	5980				5983		
1-1/4"	Inswing or Outswing for Concealed Latches (1-1/4" Doors)	5840						
HALF HEIGHT-FLATS								
ALL	Inswing or Outswing for Concealed Latches	5630				5633		
ALL	Outswing for Slide Latch	5640				5643		
ALL	Inswing for Throw Latch (Emergency Access)	5650				5653		

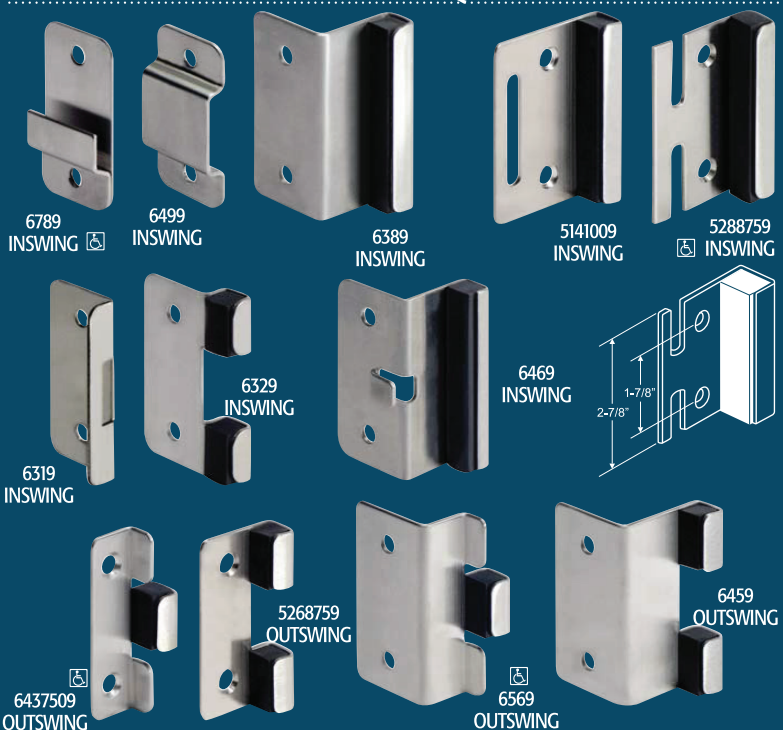
Bi-Fold Door Hardware



Toilet Partition Hardware Strike & Keepers Round Edge Posts

"A" POST SIZE	DESCRIPTION	CHROME PLATED ZAMAC	CHROME PLATED BRASS	CAST STAINLESS STEEL
1-1/4"	Inswing for Slide Latch	5310	5311	
1-1/4"	Inswing or Outswing for Concealed Latch with Flat Bar	5320	5321	
1-1/4"	Inswing for Throw Latch (Emergency Access)	5330		
1-1/4"	Outswing for Slide Latch	5410	5411	
1-1/4"	Inswing or Outswing for Concealed Latch with Round Bar	5430	5431	
1-1/4"	Inswing or Outswing for Concealed Latch	5550		
HALF HEIGHT				
1-1/4"	Inswing or Outswing for Concealed Latch	5470		
1-1/4"	Inswing or Outswing for Concealed Latch with Round Bar	5510	5511	5513
1-1/4"	Inswing or Outswing for Concealed Latch with Flat Bar	5520		
1-1/4"	Outswing for Slide Latch	5570		5573
1-1/4"	Inswing for Throw Latch (Emergency Access)	5580		5583
1-1/4"	Inswing or Outswing for Concealed Latch	5590		

DOOR SIZE	DESCRIPTION	STAMPED STAINLESS STEEL
INSWING		
1/2"	Inswing Strike	6349
3/4"	Inswing Strike	6369
7/8"	Inswing Strike	6389
1"	Inswing Strike	6449
1-1/8"	Inswing Strike	6429
All	Keeper for Above Strikes	6499
All	Keeper for Above Strikes (Emergency Access)	6789
3/4"	Inswing Strike & Keeper - with Tab	6469
All	Inswing or Outswing Strike - One Piece	6329
All	Inswing Keeper - One Piece	6319
INSWING-FLATS		
3/4"	Inswing Strike & Keeper	5147509
7/8"	Inswing Strike & Keeper	5148759
1"	Inswing Strike & Keeper	5141009
1-1/4"	Inswing Strike & Keeper	5141259
3/4"	Inswing Strike & Keeper (Emergency Access)	5287809
7/8"	Inswing Strike & Keeper (Emergency Access)	5288759
1"	Inswing Strike & Keeper (Emergency Access)	5281009
1-1/4"	Inswing Strike & Keeper (Emergency Access)	5281259
OUTSWING		
1/2"	Outswing Strike & Keeper	6359
3/4"	Outswing Strike & Keeper	6379
7/8"	Outswing Strike & Keeper	6399
1/2"	Outswing Strike & Keeper	6459
1-1/8"	Outswing Strike & Keeper	6599
1/2"	Outswing Strike & Keeper (Emergency Access)	6899
3/4"	Outswing Strike & Keeper (Emergency Access)	6569
1"	Outswing Strike & Keeper (Emergency Access)	6559
OUTSWING-FLATS		
1/2"	Outswing Strike & Keeper	5265009
3/4"	Outswing Strike & Keeper	5267509
7/8"	Outswing Strike & Keeper	5268759
1/2"	Outswing Strike & Keeper (Emergency Access)	6435009
3/4"	Outswing Strike & Keeper (Emergency Access)	6437509
1"	Outswing Strike & Keeper (Emergency Access)	6431009



*ALL MATERIAL AT 14 GAUGE (.075") WITH #4 SATIN FINISH. ALL PARTS USE #6309 SLIDE LATCH (found on page 18)

- Hinges
- Drawer Slides
- Pulls and Knobs
- Locks, Catches, Shelf Hardware
- Lights
- Closet and Furniture Hardware
- Grommets
- Kitchen Accessories
- Melamine
- Shop Supplies

Special Order items

Bi-Fold Door Hardware



Toilet Partition Hardware Hooks, Door Stops & Latches

Hinges

CHROME PLATED ZAMAC	CHROME PLATED BRASS	POLISHED BRASS	CAST STAINLESS STEEL	STAMPED STAINLESS STEEL	HOOKS
4000	4001	4002	4003		Hook & Bumper Combination (7/32" Dia. Holes)
			4113		Hook & Bumper Combination (1/4" Dia. Holes)
4020	4021	4022	4023		Two Prong Hook (7/32" Dia. Holes)
4260					Hook & Bumper Combination (7/32" Dia. Holes)
4280					Hook & Bumper Combination (1/4" Dia. Holes)
4290					Hook (3/16" Dia. Holes)
				4009	Flat & Bumper-5/8" x 2-13/16" Extension (3/16" Dia. Holes)
				6519	Flat 1" x 1" Extension (9/32" Dia. Holes)
				6529	Flat 1/2" x 1" Extension (1/4" Dia. Holes)
DOOR STOPS					
4120		4122*	4123	4129	2" High*Brass Plated Zamac
	4151		4153		Pilaster Mounted

Drawer Slides

Pulls and Knobs

Locks, Catches, Shelf Hardware

Lights

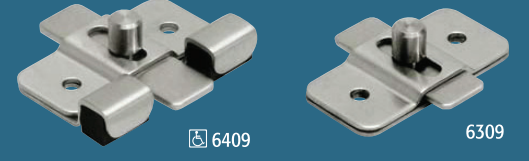
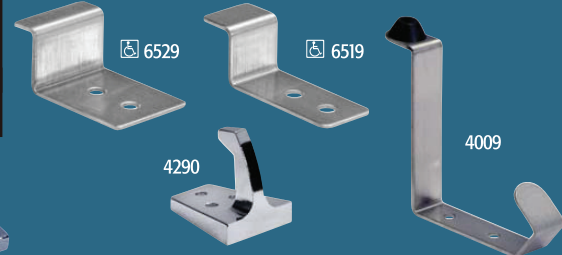
Closet and Furniture Hardware

Grommets

Kitchen Accessories

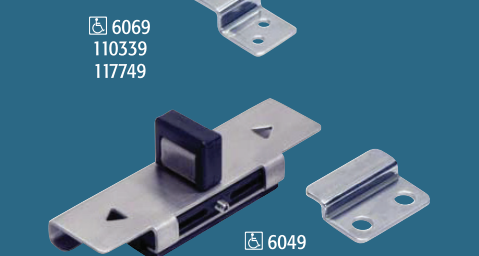
Melamine

Shop Supplies



FOR PROPER FUNCTION, ALL LATCHES REQUIRE A MATING STRIKE & KEEPER

CHROME PLATED ZAMAC	CHROME PLATED BRASS	POLISHED BRASS	CAST STAINLESS STEEL	CLEAR ANODIZED ALUMINUM	BRITE-DIP ALUMINUM	STAMPED STAINLESS STEEL	SLIDE LATCHES
5020	5021	5022	5023				Standard for #6200 Door Pull (2-3/4" Centers)
5030	5031	5032	5033				Offset Bar with #5020 (2-3/4" Centers)
5040	5041	5042	5043				Reverse Offset Bar with #5020 (2-3/4" Centers)
5000			5003				Reverse Offset Bar with #5050 (3-1/2" Centers)
5050	5051	5052	5053				Standard for #5400 Door Pull (3-1/2" Centers)
5060	5061	5062	5063				Offset Bar with #5050 (3-1/2" Centers)
6540							Standard for #6020 Door Pull (2-5/8" Centers)
			6983				Straight Bar - Four Hole (1-1/2" Centers Height)
8698*							Straight Bar (2-3/4" Centers) *Satin Finish
				4988	4984		Angled Bar (3-1/2" Centers)
				5054	5058		Straight Bar (3-1/2" Centers)
						6049	With Keeper
						6069	With Keeper, Indicator and Door Pull
						6309	For all Stamped Stainless Steel Strike & Keepers
						6409	Inswing Latch & Strike Combination
						6539	Keeper for #6409
THROW LATCHES							
	5151		5153				Use with "T" Type Strike & Keepers
	5701		5703				Heavy Duty Latch & Keeper



Bi-Fold Door Hardware



Toilet Partition Hardware Surface Mounted Hinges

	CHROME PLATED BRASS	POLISHED BRASS	CAST STAINLESS STEEL	STAMPED STAINLESS STEEL	DESCRIPTION	FINISH	HINGE THICKNESS
#	7011	7012			RH-IN or LH-OUT (3" Height)		
#	7131	7132			Top Hinge Only RH-IN or LH-OUT	Polished	3/32"
#	7141	7142			Bottom Hinge Only RH-IN or LH-OUT		
#	7021	7022			LH-IN or RH-OUT (3" Height)		
#	7151	7152			Top Hinge Only LH-IN or RH-OUT	Polished	3/32"
#	7161	7162			Bottom Hinge Only LH-IN or RH-OUT		
				7033	RH-IN or LH-OUT (3" Height)	Satin	3/32"
				7043	LH-IN or RH-OUT (3" Height)		
				7053	RH-IN or LH-OUT (3" Height)	Satin	1/8"
				7063	LH-IN or RH-OUT (3" Height)		
*				7073	RH-IN or LH-OUT (2-1/2" Height)	Polished	3/32"
*				7083	LH-IN or RH-OUT (2-1/2" Height)		
*				7079	RH-IN or LH-OUT (2-1/2" Height)	Satin	3/32"
*				7089	LH-IN or RH-OUT (2-1/2" Height)		
*				7093	RH-IN or LH-OUT (2-7/8" Height)	Satin	1/8"
*				7103	LH-IN or RH-OUT (2-7/8" Height)		
				8169	RH-IN or LH-OUT (3-3/8" Height)	Satin	1/8"
				8179	LH-IN or RH-OUT (3-3/8" Height)		
				7113	RH-IN or LH-OUT (3" Height)		
				7133	Top Hinge Only RH-IN or LH-OUT	Satin	1/8"
				7143	Bottom Hinge Only RH-IN or LH-OUT		
				7123	LH-IN or RH-OUT (3" Height)		
				7153	Top Hinge Only LH-IN or RH-OUT	Satin	1/8"
				7163	Bottom Hinge Only LH-IN or RH-OUT		
Three Hinge Sets - Two Tops and One Bottom							
				7553	RH-IN or LH-OUT of 7113		
				7563	LH-IN or RH-OUT of 7123		
				7883	RH-IN or LH-OUT of 7093		
				7893	LH-IN or RH-OUT of 7103		
Spring Adjustable							
				8643	RH-IN/OUT or LH-IN/OUT (4" Height)	Polished	3/32"
				8649	RH-IN/OUT or LH-IN/OUT (4" Height)	Satin	
				8653	RH-IN/OUT or LH-IN/OUT (5" Height)	Polished	3/32"
				8659	RH-IN/OUT or LH-IN/OUT (5" Height)	Satin	
Square Barrel Hinges							
				7413	RH-IN or LH-OUT (3" Height)	Satin	1/8"
				7423	LH-IN or RH-OUT (3" Height)		
Locker Hinge							
				7719		Satin	3/32"

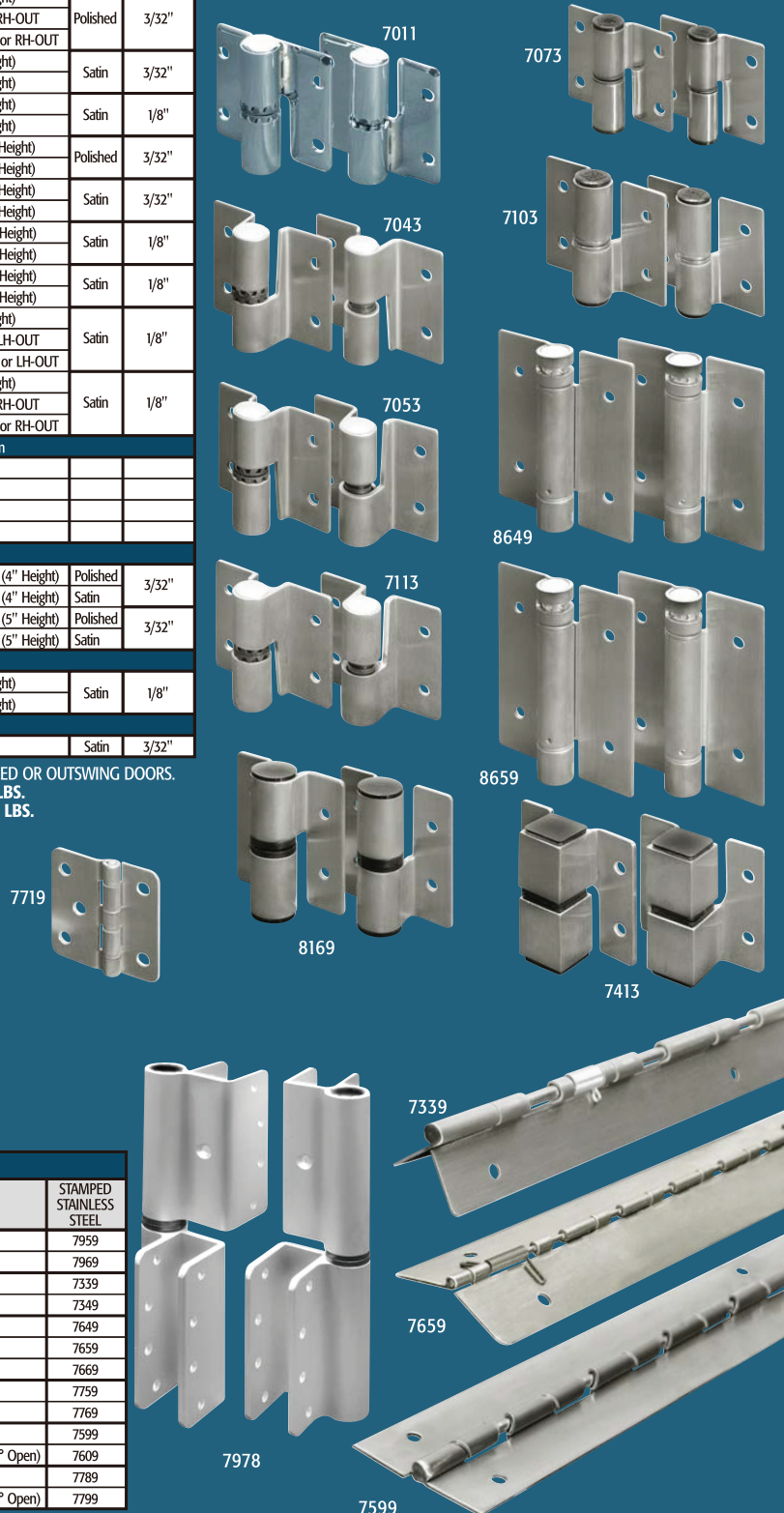
THREE HINGE SETS RECOMMENDED ON HANDICAPPED, OVERSIZED OR OUTSWING DOORS.
TWO HINGE SETS NOT RECOMMENDED FOR DOORS OVER 50 LBS.
THREE HINGE SETS NOT RECOMMENDED FOR DOORS OVER 70 LBS.
* HANDEDNESS OF HINGES CANNOT BE CHANGED

ROUND BARREL ALUMINUM (For 1" Material)

PART #	DESCRIPTION	FINISH
7978	RH-IN or LH-OUT (8" Height)	Cleat Anodized
7988	LH-IN or RH-OUT (8" Height)	Clear Anodized
8974	RH-IN or LH-OUT (8" Height)	Brite-Dip
8984	LH-IN or RH-OUT (8" Height)	Brite-Dip
Three Hinge Sets - One Top and Two Bottoms		
73714	RH-IN or LH-OUT	of (8974)
73724	LH-IN or RH-OUT	of (8984)
Replacement Parts		
97415	Set of Inserts for 3/4" Door and Post	Nylon-Black
8465	Cam & Pintle Set for Top Hinges	Nylon-Black
8475	Cam & Pin Set for Bottom Hinges	Nylon-Black

PIANO HINGES

MATERIAL THICKNESS	LENGTHS	DESCRIPTION	STAMPED STAINLESS STEEL
16 Gauge	54"	RH-IN or LH-OUT - Spring Close (1/8" Pin)	7959
	54"	LH-IN or RH-OUT - Spring Close (1/8" Pin)	7969
14 Gauge	57"	RH-IN or LH-OUT - Spring Close (1/4" Pin)	7339
	57"	LH-IN or RH-OUT - Spring Close (1/4" Pin)	7349
16 Gauge	57-1/2"	No Spring (1/8" Pin)	7649
	57-1/2"	RH-IN or LH-OUT - Spring Close (1/8" Pin)	7659
	57-1/2"	LH-IN or RH-OUT - Spring Close (1/8" Pin)	7669
	71-1/2"	RH-IN or LH-OUT - Spring Close (1/8" Pin)	7759
	71-1/2"	LH-IN or RH-OUT - Spring Close (1/8" Pin)	7769
14 Gauge	54-1/2"	RH-IN/OUT or LH-IN/OUT - Cam Close (1/4" Pin)	7599
	54-1/2"	RH-IN/OUT or LH-IN/OUT - Cam Close (1/4" Pin) (20° Open)	7609
	57-1/2"	RH-IN/OUT or LH-IN/OUT - Cam Close (1/4" Pin)	7789
	57-1/2"	RH-IN/OUT or LH-IN/OUT - Cam Close (1/4" Pin) (20° Open)	7799



Hinges

Drawer Slides

Pulls and Knobs

Locks, Catches, Shelf Hardware

Lights

Closet and Furniture Hardware

Grommets

Kitchen Accessories

Melamine

Shop Supplies

Special Order items

Bi-Fold Door Hardware

Toilet Partition Hardware Wrap Around Gravity Pivot Hinges



Hinges

Drawer Slides

Pulls and Knobs

Locks, Catches, Shelf Hardware

Lights

Closet and Furniture Hardware

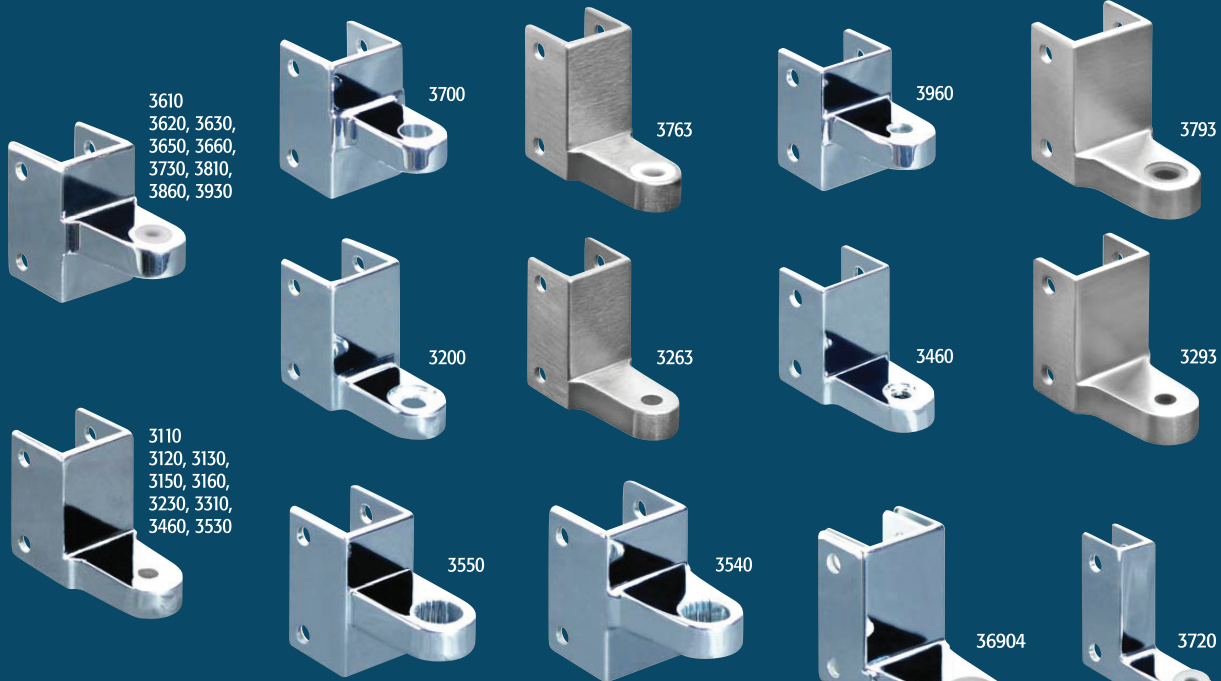
Grommets

Kitchen Accessories

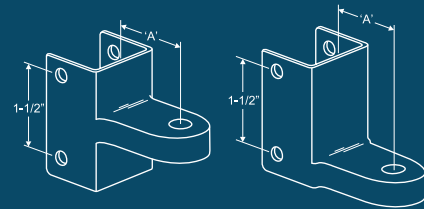
Melamine

Shop Supplies

SQUARE EDGE POSTS



POST SIZE	LOCATION	CHROME PLATED ZAMAC	CHROME PLATED BRASS	POLISHED BRASS	CAST STAINLESS STEEL	DESCRIPTION	USE PIN	USE PINTLE OR CANDLE	USE CAM	"A" DIM
1/2"	Top	3720				G-1/2	99585	98285	98275	1.265"
	Bottom	3220								
1"	Top	3760			3763	G-4	99109	98285	98275	1.265"
	Bottom	3260			3263					
1-1/8"	Top	36904				G-2 (With Inserts)	99109	98175	98245	1.265"
	Bottom	31904								
1-1/4"	Top	3610	3611	3612	3613	AMPCO	99585	98265	98275	1.250"
	Bottom	3110	3111	3112	3113					
1-1/4"	Top	3620				GLOBAL		98175		1.155"
	Bottom	3120								1.197"
1-1/4"	Top	3630	3631	3632	3633	FIAT	99574	98175	98185	1.275"
	Bottom	3130	3131	3132	3133					
1-1/4"	Top	3650	3651		3653	SHANAHAN	98544	98175	98195	1.363"
	Bottom	3150	3151		3153					
1-1/4"	Top	3660	3661	3662	3663	COLUMBIA	99109	98175	98245	1.265"
	Bottom	3160	3161	3162	3163					
1-1/4"	Top	3700			3703	ACCURATE				1.200"
	Bottom	3200			3203					
1-1/4"	Top	3730	3731		3733	FLUSH METAL	98584	98175	98185	1.200"
	Bottom	3230	3231		3233					
1-1/4"	Top	3790	3681	3682	3793	G-3	99109	98265	98275	1.265"
	Bottom	3290	3181	3182	3293		99109	98175	98245	
1-1/4"	Top	3860			3863	KNICKERBOCKER (LAMINATE)	98614	97275		1.433"
	Bottom	3530			3533					
1-1/4"	Top	3810	3811		3813	KNICKERBOCKER & GENERAL (STEEL)	98614	97275	97265	1.385"
	Bottom	3310	3311		3313					
1-1/4"	Top	3930			3933	METPAR	98584	97235		1.104"
	Bottom	3430			3433					
1-1/4"	Top	3960				SANYMETAL	98715	97280		1.093"
	Bottom	3460								
1"	Top & Bottom	3550				M-3 Bottom or Top	99109	89830	89820	1.300"
1-1/4"	Top & Bottom	3540	3541	3542		M-3 Bottom or Top	99109	89830	89820	1.300"



PINS, PINTLES & CAMS SOLD SEPARATELY. SEE PAGE 23.

POST	DOOR	PIVOT HINGE (Roller Bearing Design)			
1/2"	1/2"				7803
3/4" & 1"	1/2"				7853
3/4" & 1"	3/4" & 1"				7813

Bi-Fold Door Hardware

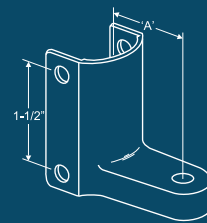
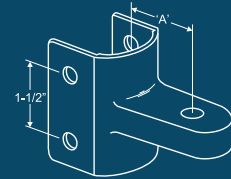


Toilet Partition Hardware Wrap Around Gravity Pivot Hinges

Hinges

ROUND EDGE POSTS

POST SIZE	LOCATION	CHROME PLATED ZAMAC	CHROME PLATED BRASS	POLISHED BRASS	CAST STAINLESS STEEL	DESCRIPTION	USE PIN	USE PINTLE OR CANDLE	USE CAM	"A" DIM
1-1/4"	Top	3510	3511	3512	3513	FLUSH METAL	98584	98175	98185	1.085"
	Bottom	3010	3011	3012	3013					1.156"
1-1/4"	Top	3900			3903	SANY METAL	98715	97290		1.065"
	Bottom	3060			3403					
1-1/4"	Top	3910			3913	KNICKERBOCKER & GENERAL	98614	97265		1.385"
	Bottom	3420			3423					
1-1/4"	Top	4530	4531		4533	METPAR	98584		97435	1.070"
	Bottom	4040	4041		4043					1.104"
1-1/4"	Top	4530	4531		4533	AMPKO	98584	98175	98185	1.070"
	Bottom	4040	4041		4043					1.104"



Drawer Slides

Pulls and Knobs

Locks, Catches, Shelf Hardware

Lights

Closet and Furniture Hardware

Grommets

FLATS

LOCATION	CHROME PLATED ZAMAC	CHROME PLATED BRASS	POLISHED BRASS	CAST STAINLESS STEEL	DESCRIPTION	USE PIN	USE PINTLE OR CANDLE	USE CAM	"A" DIM	
Top	3710			3713	ACCURATE				1.200"	
Bottom	3210			3213						
Top	3740	3741		3743	AMPKO (LAMINATE)	99585	98265	98275	1.250"	
Bottom	3240	3241		3243						
Top	3880			3883	AMPKO & METPAR (STEEL)	98584	97245	98175	98185	1.104"
Bottom	3280			3283						
Top	3750	3751	3752	3753	G-3	99109	98265	98275	1.265"	
Bottom	3250	3251	3252	3253						
Top	3940			3943	KNICKERBOCKER (LAMINATE)	98614	97275		1.433"	
Bottom	3870			3873						
Top	3970	3971		3973	KNICKERBOCKER & GENERAL (STEEL)	98614	97275	97265	1.385"	
Bottom	3470	3471		3473						



Kitchen Accessories

Melamine

Shop Supplies

Special Order items

Bi-Fold Door Hardware

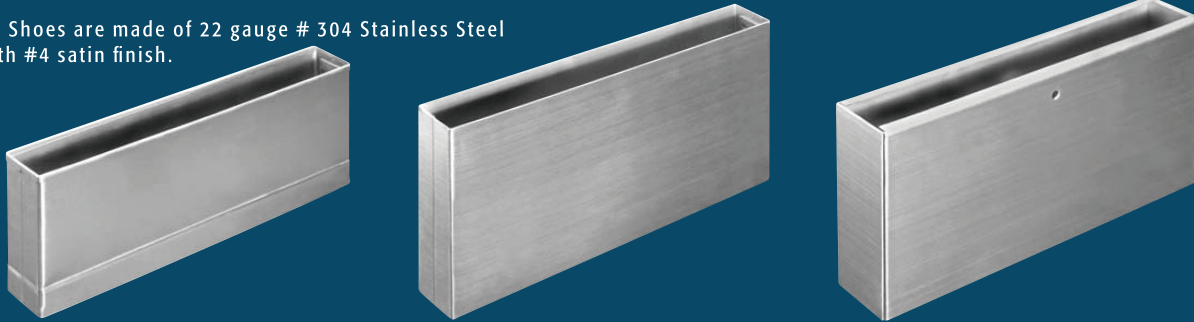
Toilet Partition Hardware Pilaster Shoes & Anchoring Devices



Hinges

All Shoes are made of 22 gauge # 304 Stainless Steel with #4 satin finish.

Drawer Slides



Pulls and Knobs

*3" HIGH PILASTER SHOES

Length	Width					
	1/2"	3/4"	7/8"	1"	1-1/8"	1-1/4"
2"	36029	35029	31029	34029	33029	32029
3"	36039	35039	31039	34039	33039	32039
4"	36049	35049	31049	34049	33049	32049
5"	36059	35059	31059	34059	33059	32059
6"	36069	35069	31069	34069	33069	32069
7"	36079	35079	31079	34079	33079	32079
8"	36089	35089	31089	34089	33089	32089
9"	36099	35099	31099	34099	33099	32099
10"	36109	35109	31109	34109	33109	32109
11"	36119	35119	31119	34119	33119	32119
12"	36129	35129	31129	34129	33129	32129
13"	36139	35139	31139	34139	33139	32139
14"	36149	35149	31149	34149	33149	32149
15"		35159	31159	34159	33159	32159
16"	36169	35169	31169	34169	33169	32169
17"		35179	31179	34179	33179	32179
18"	36189	35189	31189	34189	33189	32189
19"	36199	35199		34199	33199	32199
20"	36209	35209	31209	34209	33209	32209
21"		35219	31219	34219		32219
22"	36229	35229	31229	34229	33229	32229
23"		35239	31239	34239		32239
24"	36249	35249	31249	34249	33249	32249
25"	36259	35259	31259	34259	33259	32259
26"	36269	35269		34269	33269	32269
28"	36289	35289	31289	34289	33289	32289
30"	36309	35309	31309	34309	33309	32309

*4" HIGH PILASTER SHOES

Length	Width					
	1/2"	3/4"	7/8"	1"	1-1/8"	1-1/4"
2"	46029	45029	41029	44029	43029	42029
3"	46039	45039	41039	44039	43039	42039
4"	46049	45049	41049	44049	43049	42049
5"	46059	45059	41059	44059	43059	42059
6"	46069	45069	41069	44069	43069	42069
7"	46079	45079	41079	44079	43079	42079
8"	46089	45089	41089	44089	43089	42089
9"	46099	45099	41099	44099	43099	42099
10"	46109	45109	41109	44109	43109	42109
11"	46119	45119	41119	44119	43119	42119
12"	46129	45129	41129	44129	43129	42129
13"		45139	41139	44139	43139	42139
14"	46149	45149	41149	44149	43149	42149
15"		45159		44159	43159	42159
16"	46169	45169	41169	44169	43169	42169
17"			41179	44179		42179
18"	46189	45189	41189	44189	43189	42189
19"			41199	44199	43199	42199
20"	46209	45209	41209	44209	43209	42209
21"		45219	41219	44219	43219	42219
22"	46229	45229	41229	44229	43229	42229
23"			41239	44239		42239
24"	46249	45249	41249	44249	43249	42249
25"		45259	41259	44259	43259	42259
26"	46269	45269		44269	43269	42269
28"	46289	45289		44289	43289	42289
30"	46309	45309	41309	44309	43309	42309

4" HIGH 'OFFSET' PILASTER SHOES

Length	Width		
	1/2"	3/4"	1"
2"	56029	55029	54029
3"	56039	55039	54039
4"	56049	55049	54049
5"	56059	55059	54059
6"	56069	55069	54069
7"	56079	55079	54079
8"	56089	55089	54089
9"	56099	55099	54099
10"	56109	55109	54109
12"	56129	55129	54129
14"	56149	55149	54149
16"	56169	55169	54169
18"	56189	55189	54189
20"	56209	55209	54209
22"	56229	55229	54229
24"	56249	55249	54249

Widths measured at top opening

Locks, Catches, Shelf Hardware

Lights

Closet and Furniture Hardware

Grommets

* Custom sizes available upon request.
Open Ended available in all sizes.

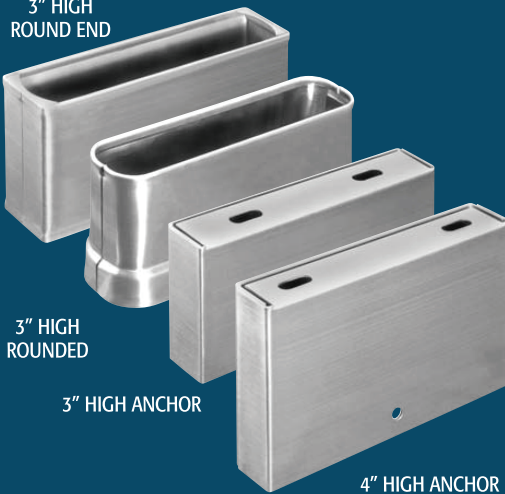
PILASTER ANCHORING DEVICES	
PART #	DESCRIPTION
3030	1-1/4" Pilaster Shoe (Use with #98334 Tube)
3040	1-3/4" Pilaster Shoe (Use with #98434 Tube)
6000	1-1/4" x 3" Post Shoe
8503	1-1/4" Pilaster Anchor Bracker (11-1/2" - 14" Range)
85083	1-1/4" Pilaster Anchor Bracker (9-1/2" - 12" Range)
85093	1-1/4" Pilaster Anchor Bracker (7-1/2" - 10" Range)
8513	1-1/4" Pilaster Anchor Bracker - One Ear (11-1/2" - 14" Range)
85183	1-1/4" Pilaster Anchor Bracker - One Ear (9-1/2" - 12" Range)
85193	1-1/4" Pilaster Anchor Bracker - One Ear (7-1/2" - 10" Range)

3" HIGH ROUND END

3" HIGH ROUNDED

3" HIGH ANCHOR

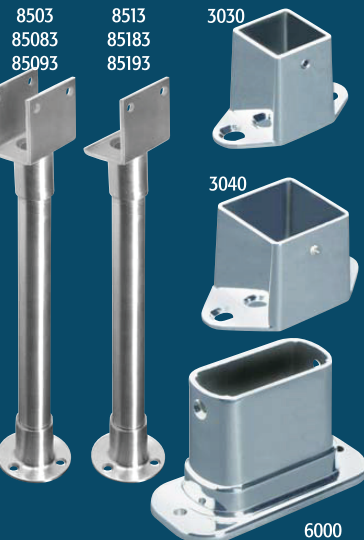
4" HIGH ANCHOR



ANCHOR SHOES

Length	Width	
	3" HIGH ROUNDED	3" HIGH ROUNDED END
2"	61029	
3"	61039	62039
4"	61049	62049
5"	61059	62059
6"	61069	62069
7"	61079	62079
8"	61089	62089
9"		62099
10"	61109	62109
12"	61129	62129
14"		62149
16"	61189	62189
20"	61209	
21"		62219
24"	61249	62249
30"		62309

Length	Width	
	3" HIGH (20 Gauge)	4" HIGH (20 Gauge)
3"	30039	48039
4"	30049	48049
5"	30059	48059
6"	30069	48069
7"	30079	48079
8"	30089	48089
9"	30099	48099
10"	30109	48109
11"	30119	
12"	30129	48129
14"	30149	48149
16"	30169	
18"	30189	48189
20"	30209	
22"	30229	
24"	30249	48249



Kitchen Accessories

Melamine

Shop Supplies

Bi-Fold Door Hardware



Toilet Partition Hardware Pilaster Shoes & Anchoring Devices

30414

For 1" Thick and Larger Pilaster Posts.

30524, 30544, 30584

30524 For 1-1/4" X 2" to 4" Posts.
30544 For 1-1/4" X 2" to 7" Posts.
30584 For 1-1/4" X 8" & Up.

30619

For all "Floor-to-Ceiling" Installations

For all size posts. Specify thickness of Pilaster Post when ordering.

30719

For all thickness posts. Specify thickness of pilaster post when ordering.

Post Lengths	Qty
3" - 5"	one pc
6" - 17"	two pcs
18" +	3 pcs

30810

For 1-1/4" thick Pilaster Posts
Stainless Steel spacer plates must be ordered separately

30999
Stainless Steel spacer plates measure 3"x10". Other lengths can be fabricated upon request.

31016

For 1-1/4" & 1-1/8" Posts.

31056

For 3/4" thick & larger Pilaster Posts.
For 4" wide & larger Pilaster Posts.

74030

For 1-1/4" & 1-1/8" Posts.

83314

For all "Floor-to-Ceiling" Installations

83354

For 1-1/4" & 1-1/8" Posts.

3080

116599

3079

72184, 72194, 72224

6816, 6826

95154, 95144, 8106, 8116, 9005, 9015

PART #	DESCRIPTION
3079	3" x 2-1/2" L-Bracket
3080	1-1/4" Split Pilaster Shoe (One-Piece)
3106	Pilaster Foot
6816	Top L-Anchor for Plastic Laminate
6826	Bottom L-Anchor for Plastic Laminate
8106	3/8" Expansion Floor Anchor
8116	3/8" Double Expansion Floor Anchor
9005	Plastic Anchor for #10 - 12 Screws
9015	Plastic Anchor for #14 - 16 Screws
30999	3" x 10" Spacer Plate (Two-Pack) Used with #3080
72184	Pilaster Anchor Fork (Open)
72194	Pilaster Anchor Fork (Closed)
72204	Spring Clip
72214	Box Clamp Anchor

PART #	DESCRIPTION
7222	Pilaster Anchoring Fork - Half Height (Open)
72274	Spring Clip
87304	3/8-16 x 4" Threaded Rod - Zinc Plated
87334	3/8-16 x 6" Threaded Rod - Zinc Plated
87374	3/8-16 x 8" Threaded Rod - Zinc Plated
87394	3/8-16 x 10" Threaded Rod - Zinc Plated
95144	3/8-16 x 2-1/2" Hex Bolt - Zinc Plated
95154	1/2" x 3" Anchor Sleeve with 3/8 Nut & Washer
96324	3/8-16 Hex Nut
96356	3/8-16 x 7/8" Square Nut
96374	3/8-16 4-Prong T-Nut
96914	3/8" Split Lock Washer
96924	3/8" Flat Washer
116599	3/4" X-Long U-Bracket

PILASTER MOUNTING BARS	
Part #	Post Size
65039	3"
65049	4"
65059	5"
65069	6"
65079	7"
65089	8"
65099	9"
65109	10"
65129	12"

31036

Consists of Fasteners only. Mounting Bars must be ordered separately.

- Hinges
- Drawer Slides
- Pulls and Knobs
- Locks, Catches, Shelf Hardware
- Lights
- Closet and Furniture Hardware
- Grommets
- Kitchen Accessories
- Melamine
- Shop Supplies

Special Order items

Bi-Fold Door Hardware



Door Hardware

Hinges

6023 SERIES

6003 Single Track - 12'

For single & by-parting
3/4" doors - 50lbs. to 75#
Dimensions: 1-13/16" x 15/16"
Material: extruded aluminum



ORDER NUMBER
H6003-12

6053 SERIES

6003 Single Track - 12'

For single & by-parting
3/4" doors - 50lbs. to 75#
Dimensions: 1-13/16" x 15/16"
Material: extruded aluminum



ORDER NUMBER
H6003-12

71-034 SERIES

7001 Sgle "1" Beam Trk - 12'

For single & parting
1-3/8" doors - 150lbs.
Dimensions: 15/16" x 1-9/16"
Material: extruded aluminum



ORDER NUMBER
H7001-12

71-111 SERIES

7001 Sgle "1" Beam Trk - 12'

For single & parting
1-3/8" doors - 150lbs.
Dimensions: 15/16" x 1-9/16"
Material: extruded aluminum



ORDER NUMBER
H7001-12

Drawer Slides

Pulls and Knobs

Locks, Catches, Shelf Hardware

Lights

Closet and Furniture Hardware

6330 Single Wheel Carrier

1/2" offset
Single wheel, adjustable, side mount
Material: steel zinc plated / nylon wheel



ORDER NUMBER
H6330

6330 Single Wheel Carrier

1/2" offset
Single wheel, adjustable, side mount
Material: steel zinc plated / nylon wheel



ORDER NUMBER
H6360

7000 Ball Bearing Carrier

Use with: 7034 Apron (31-854)
7038 Apron (31-856)
7222 Top Plate (31-852)
Material: steel zinc plated / nylon wheels



ORDER NUMBER
H7000

7000 Ball Bearing Carrier

Use with: 7034 Apron (31-854)
7038 Apron (31-856)
7222 Top Plate (31-852)
Material: steel zinc plated / nylon wheels



ORDER NUMBER
H7000

110 Floor Guide

For single installation
doors dimensions:
1-3/4" x 3/4"
Material: nylon



ORDER NUMBER
H110

110 Floor Guide

For single installation
doors dimensions:
1-3/4" x 3/4"
Material: nylon



ORDER NUMBER
H110

7034 Apron

Use with: 7000 Carrier or 3/4" Offset
Side mount / adjustable
Material: steel zinc plated



ORDER NUMBER
H7034

7111 Top Plate

Use with: 7000 Carrier
Side mount / non-adjustable
Material: steel zinc plated



ORDER NUMBER
H7111

Grommets

Kitchen Accessories

Melamine

Shop Supplies



110 Floor Guide

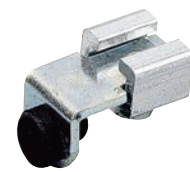
For single installation doors dimensions:
1-3/4" x 3/4"
Material: nylon



ORDER NUMBER
H110

7014 Bumper Stop

Installs on track
Material: steel w/ rubber bumper



ORDER NUMBER
H7014

Bi-Fold Door Hardware



Door Hardware

71-138 SERIES

7001 Sgle "I" Beam Trk - 12'
 For single & parting
 1-3/8" doors - 150lbs.
 Dimensions: 15/16" x 1-9/16"
 Material: extruded aluminum



ORDER NUMBER
H7001-12

71-222 SERIES

7001 Sgle "I" Beam Trk - 12'
 For single & parting
 3/4" doors - 150lbs.
 Dimensions: 15/16" x 1-9/16"
 Material: extruded aluminum



ORDER NUMBER
H7001-12

1210 SERIES

1201 Single Track - 12'
 For single by-parting & by-passing
 1" doors - 175 lb. to 225 lb.
 Dimensions: 1-19/64" x 1/7/8"
 Material: steel zinc plated / rubber



ORDER NUMBER
H1201-12

73-034 SERIES

7002 Dble "I" Beam Trk - 12'
 For by-passing doors
 3/4" doors - 150lbs.
 Dimensions: 15/16" x 1-22/32"
 Material: extruded aluminum



ORDER NUMBER
H7002-12

7000 Ball Bearing Carrier
 Use with: 7034 Apron (31-854)
 7038 Apron (31-856)
 7222 Top Plate (31-852)
 Material: steel zinc plated /
 nylon wheels



ORDER NUMBER
H7000

7000 Ball Bearing Carrier
 Use with: 7034 Apron (31-854)
 7038 Apron (31-856)
 7222 Top Plate (31-852)
 Material: steel zinc plated /
 nylon wheels



ORDER NUMBER
H7000

1202 Carrier
 With pendant & top plate
 Top mount / adjustable
 Material: steel zinc plated /
 nylon wheels



ORDER NUMBER
H1202

7000 Ball Bearing Carrier
 Use with: 7034 Apron (31-854)
 7038 Apron (31-856)
 7222 Top Plate (31-852)
 Material: steel zinc plated /
 nylon wheels



ORDER NUMBER
H7000

7138 Apron
 Use with: 7000 Carrier or 1-1/8" Offset
 Side mount / adjustable
 Material: steel zinc plated



ORDER NUMBER
H7138

7222 Top Plate



ORDER NUMBER
H7222

1212 Bumper Stop
 Installs on track.
 Material: Aluminum w/
 rubber bumpers



ORDER NUMBERS
H1212

7034 Apron
 Use with: 7000 Carrier or 3/4" Offset
 Side mount / adjustable
 Material: steel zinc plated



ORDER NUMBER
H7034

110 Floor Guide
 For single installation
 doors dimensions:
 1-3/4" x 3/4"
 Material: nylon



ORDER NUMBER
H110

110 Floor Guide
 For single installation
 doors dimensions:
 1-3/4" x 3/4"
 Material: nylon



ORDER NUMBER
H110

7015 Floor Guide
 Surface mounted "T"
 Dimensions: 3/4" x 7/8" x 3"
 Material: zamac



ORDER NUMBER
H7015

116 Floor Guide
 Non-adjustable for 3/4" doors
 Dimensions: 2-5/8" x 2-1/2"
 Material: nylon



ORDER NUMBER
H116

Hinges

Drawer Slides

Pulls and Knobs

Locks, Catches, Shelf Hardware

Lights

Closet and Furniture Hardware

Grommets

Kitchen Accessories

Melamine

Shop Supplies

Bi-Fold Door Hardware



Door Hardware

Hinges

72-118 SERIES

7002 Dble "I" Beam Trk - 12'
For by-passing doors
3/4" doors - 150lbs.
Dimensions: 15/16" x 1-22/32"
Material: extruded aluminum



ORDER NUMBER
H7002-12

71-134 SERIES

7003 Dble "I" Beam Trk - 12'
For by-passing doors
1-3/4" - 150lbs.
Dimensions: 15/16" x 1-22/32"
Material: extruded aluminum



ORDER NUMBER
H7003-12

71-138 SERIES

7003 Dble "I" Beam Trk - 12'
For by-passing doors
1-3/8" - 150lbs.
Dimensions: 15/16" x 1-22/32"
Material: extruded aluminum



ORDER NUMBER
H7003-12

71-222 SERIES

7002 Dble "I" Beam Trk - 12'
For by-passing doors
3/4" doors - 150lbs.
Dimensions: 15/16" x 1-22/32"
Material: extruded aluminum



ORDER NUMBER
H7002-12

Drawer Slides

Pulls and Knobs

Locks, Catches, Shelf Hardware

Lights

Closet and Furniture Hardware

7000 Ball Bearing Carrier
Use with: 7034 Apron (31-854)
7038 Apron (31-856)
7222 Top Plate (31-852)
Material: steel zinc plated / nylon wheels



ORDER NUMBER
H7000

7000 Ball Bearing Carrier
Use with: 7034 Apron (31-854)
7038 Apron (31-856)
7222 Top Plate (31-852)
Material: steel zinc plated / nylon wheels



ORDER NUMBER
H7000

7000 Ball Bearing Carrier
Use with: 7034 Apron (31-854)
7038 Apron (31-856)
7222 Top Plate (31-852)
Material: steel zinc plated / nylon wheels



ORDER NUMBER
H7000

7000 Ball Bearing Carrier
Use with: 7034 Apron (31-854)
7038 Apron (31-856)
7222 Top Plate (31-852)
Material: steel zinc plated / nylon wheels



ORDER NUMBER
H7000

7034 Apron
Use with: 7000 Carrier or 3/4" Offset
Side mount / adjustable
Material: steel zinc plated

ORDER NUMBER
H7034

7138 Apron
Use with: 7000 Carrier or 1-1/8" Offset
Side mount / adjustable
Material: steel zinc plated



ORDER NUMBER
H7138

7034 Apron
Use with: 7000 Carrier or 3/4" Offset
Side mount / adjustable
Material: steel zinc plated

ORDER NUMBER
H7034

7138 Apron
Use with: 7000 Carrier or 1-1/8" Offset
Side mount / adjustable
Material: steel zinc plated



ORDER NUMBER
H7138

7138 Apron
Use with:
7000 Carrier or 1-1/8" Offset
Side mount / adjustable
Material: steel zinc plated



ORDER NUMBER
H7138

7222 Top Plate



ORDER NUMBER
H7222

Grommets

Kitchen Accessories

Melamine

Shop Supplies

119 Floor Guide
Non-adjustable for 1-1/8" doors
Material: steel zinc plated / nylon



ORDER NUMBER
H119

118 Floor Guide
Non-adjustable for 1-3/4" doors
Dimensions: 4-5/8" x 2-1/8"
Material: steel zinc plated / nylon



ORDER NUMBER
H118

117 Floor Guide
Non-adjustable for 1-3/8" doors
Dimensions: 3-7/8" x 2-1/8"
Material: steel zinc plated / nylon



ORDER NUMBER
H117

116 Floor Guide
Non-adjustable for 3/4" doors
Dimensions: 2-5/8" x 2-1/2"
Material: nylon



ORDER NUMBER
H116

Bi-Fold Door Hardware



Door Hardware

72-223 SERIES

7002 Dble "I" Beam Trk - 12'
For by-passing doors
1-3/8" doors - 150lbs.
Dimensions: 15/16" x 1-22/32"
Material: extruded aluminum



ORDER NUMBER
H7002-12

7000 Ball Bearing Carrier
Use with: 7034 Apron (31-854)
7038 Apron (31-856)
7222 Top Plate (31-852)
Material: steel zinc plated /
nylon wheels



ORDER NUMBER
H7000

7222 Top Plate



ORDER NUMBER
H7222

117 Floor Guide
Non-adjustable for 1-3/8" doors
Dimensions: 3-7/8" x 2-1/8"
Material: steel zinc plated / nylon



ORDER NUMBER
H117

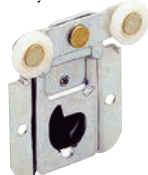
6065 SERIES

6005 Dble Fascia Trk - 12'
For single & by-passing
3/4" doors - 75
Dimensions: 1-15/16" x 1-1/2"
Material: extruded anodized aluminum



ORDER NUMBER
H6005-12

6350 Dual Wheel Carrier
3/16" offset
Single wheel, adjustable, side mount
Material: steel zinc plated /
nylon wheel



ORDER NUMBER
H6350

6360 Single Wheel Carrier

1/2" offset
Single wheel, adjustable, side mount
Material: steel zinc plated / nylon wheel



ORDER NUMBER
H6360

114 Floor Guide
Adjustable for 3/4" to 1-3/8" doors
Dimensions: 3" x 1-3/8"
Material: steel zinc plated / nylon



ORDER NUMBER
H114

73-034 SERIES

7004 Dble Fascia Trk - 12'
For by-passing doors 3/4" - 150#lbs.
Dimensions:
2-3/8" (fascia) 1-23/32" x 15/16"
Material: extruded anodized aluminum



ORDER NUMBERS
H7004-12

7000 Ball Bearing Carrier
Use with: 7034 Apron (31-854)
7038 Apron (31-856)
7222 Top Plate (31-852)
Material: steel zinc plated /
nylon wheels



ORDER NUMBER
H7000

7034 Apron

Use with: 7000 Carrier or 3/4" Offset
Side mount / adjustable
Material: steel zinc plated



ORDER NUMBER
H7034

116 Floor Guide
Non-adjustable for 3/4" doors
Dimensions: 2-5/8" x 2-1/2"
Material: nylon



ORDER NUMBER
H116

73-134 SERIES

7007 Dble Fascia Trk - 12'
For by-passing doors 1-3/4" - 150lbs.
Dimensions:
2-1/2" (fascia) 3-11/32" x 15/16"
Material: extruded anodized aluminum



ORDER NUMBER
H7007-12

7000 Ball Bearing Carrier
Use with: 7034 Apron (31-854)
7038 Apron (31-856)
7222 Top Plate (31-852)
Material: steel zinc plated /
nylon wheels



ORDER NUMBER
H7000

7034 Apron

Use with: 7000 Carrier or 3/4" Offset
Side mount / adjustable
Material: steel zinc plated

ORDER NUMBER
H7034

7138 Apron

Use with: 7000 Carrier or 1-1/8" Offset
Side mount / adjustable
Material: steel zinc plated



ORDER NUMBER
H7138

118 Floor Guide
Non-adjustable for 1-3/4" doors
Dimensions: 4-5/8" x 2-1/8"
Material: steel zinc plated / nylon



ORDER NUMBER
H118

Hinges

Drawer Slides

Pulls and Knobs

Locks, Catches, Shelf Hardware

Lights

Closet and Furniture Hardware

Grommets

Kitchen Accessories

Melamine

Shop Supplies

Bi-Fold Door Hardware



Door Hardware

Hinges

73-138 SERIES

1230 SERIES

1260 SERIES

Drawer Slides

7005 Dble Fascia Trk - 12'

For by-passing doors 1-3/8" - 150lbs.
Dimensions:
2-1/2" (fascia) 1-23/32" x 15/16"
Material: extruded anodized aluminum



ORDER NUMBER
H7005-12

1201 Single Track - 12'

For single by-parting & by-passing
1" doors - 175lbs.
Dimensions: 1-19/64" x 1/7/8"
Material: steel zinc plated / rubber



ORDER NUMBER
H1201-12

1224 Bottom Pivot Pin Plate

Attaches to bottom of door next
to jamb and receives 1223 Floor
Pivot Bolt assembly
Dimensions: 1" x 3-1/2" x 3/16"
Material: steel zinc plated



ORDER NUMBER
H1224

1201 Single Track - 12'

For single by-parting & by-passing
1" doors - 175lbs.
Dimensions: 1-19/64" x 1/7/8"
Material: steel zinc plated / rubber



ORDER NUMBER
H1201-12

Pulls and Knobs

Locks, Catches, Shelf Hardware

7000 Ball Bearing Carrier

Use with: 7034 Apron (31-854)
7038 Apron (31-856)
7222 Top Plate (31-852)
Material: steel zinc plated / nylon wheels



ORDER NUMBER
H7000

1205 Carrier

For all 1260 installations
Dimensions:
Carrier 1-13/16" x 2" x 1-1/8"
Material: steel zinc plated /
nylon wheels



ORDER NUMBER
H1205

1223 Floor Pivot Bolt Assembly

Screws into Bottom Pivot Pin Plate
Dimensions: 3/8" dia. x 2-5/16"
Material: steel zinc plated



ORDER NUMBER
H1223

1205 Carrier

For all 1260 installations
Dimensions:
Carrier 1-13/16" x 2" x 1-1/8"
Material: steel zinc plated /
nylon wheels



ORDER NUMBER
H1205

Lights

Closet and Furniture Hardware

7138 Apron

Use with: 7000 Carrier or 1-1/8" Offset
Side mount / adjustable
Material: steel zinc plated



ORDER NUMBER
H7138

1255 Top Pivot Clamp Assembly

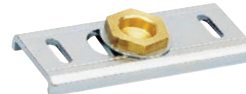
Clamped to track close to jamb
Dimensions: 1-1/8" x 2"
Material: aluminum w/
rubber bumpers



ORDER NUMBER
H1255

1234 Bottom Pivot Plate Assembly

Floor pivot bolt head mounted
to the bottom of the door
engages the bushing in the
Bottom Pivot Plate Assembly
Dimensions: 1-1/2" x 4" x 1/2"
Material: steel zinc plated



ORDER NUMBER
H1234

1213 Bumper Stop

Installs on track.
Material: Aluminum w/
rubber bumpers



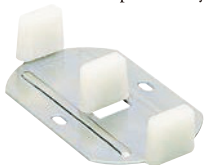
ORDER NUMBER
H1213

Grommets

Kitchen Accessories

117 Floor Guide

Non-adjustable for 1-3/8" doors
Dimensions: 3-7/8" x 2-1/8"
Material: steel zinc plated / nylon



ORDER NUMBER
H117

1269 Top Pivot Post Assembly

Mounted to top of door jamb side.
Inserts into 1255 Top Pivot Clamp
Assem
Dimensions: 1" x 3-1/2" x 1-3/4"
Material: steel zinc plated



ORDER NUMBER
H1269

7015 Floor Guide

Surface mounted "T"
Dimensions: 3/4" x 7/8" x 3"
Material: zamac



ORDER NUMBER
H7015

Shop Supplies

Bi-Fold Door Hardware



Door Hardware

1500 SERIES

1600 SERIES

1501 Single Track - 12'
For folding doors, 2 doors one way or 4 doors bi-parting - 3/4" doors 25#
Dimensions: 1-19/16" x 15/16"
Material: extruded aluminum



ORDER NUMBER
H1501-12

2669 Bushing
Inserted into top & bottom edges of door next to jamb.
Receives 2523 top pivot and 2664 bottom pivot.
Material: steel zinc plated



ORDER NUMBER
H2669

1605 Single Track - 12'
For folding doors, 2 doors one way or 4 doors bi-parting, 1" doors 50#
Dimensions: 1-19/16" x 15/16"
Material: extruded aluminum



ORDER NUMBER
H1605-12

2669 Bushing
Inserted into top & bottom edges of door next to jamb.
Receives 2523 top pivot and 2664 bottom pivot.
Material: steel zinc plated



ORDER NUMBER
H2669

1532 Swivel Carrier

Comes with 1183 Top Plate surface mounted "T"
Dimensions:
Carrier 1-1/8" x 3/4" x 5/8"
Bolt 1-1/2" x 1/4"
Material: steel zinc plated / nylon wheels



ORDER NUMBER
H1532

1516 Jamb Bracket

Mounts at bottom of opening on the jamb side. Accepts head of bottom pivot in door
Dimensions: 3" x 1-1/4" x 1/16"
Material: steel zinc plated



ORDER NUMBER
H1516

1656 Swivel Carrier

For all 1600 installations
Comes with 1283 Top Plate
Dimensions:
Carrier 1-3/4" x 3/4" x 5/8"
Bolt 1-1/4" x 3/8"
Material: steel zinc plated / nylon wheels



ORDER NUMBER
H1656

1516 Jamb Bracket

Mounts at bottom of opening on the jamb side. Accepts head of bottom pivot in door
Dimensions: 3" x 1-1/4" x 1/16"
Material: steel zinc plated



ORDER NUMBER
H1516

1535 Track Bushing

Adjustable, inserts into track close to jamb. Receives head of 2523 top pivot.
Material: steel



ORDER NUMBER
H1535

2664 Bottom Pivot

Shank screwed into 2669 bushing at bottom of door. Head engages 1516 jamb bracket.
Material: steel zinc plated



ORDER NUMBER
H2664

1655 Track Bushing

Adjustable, inserts into track close to jamb. Receives head of 2523 top pivot.
Material: steel



ORDER NUMBER
H1655

2664 Bottom Pivot

Shank screwed into 2669 bushing at bottom of door. Head engages 1516 jamb bracket.
Material: steel zinc plated



ORDER NUMBER
H2664

2523 Top Pivot

Shank is screwed into 2669 bushing at bottom of door. Head engages 1535 adjustable track bushing.
Material: steel zinc plated



ORDER NUMBER
H2523

2646 Hinge

Dimensions: 2-9/16" x 1-5/8"
Material: brass



ORDER NUMBER
H2646

2523 Top Pivot

Shank is screwed into 2669 bushing at bottom of door. Head engages 1535 adjustable track bushing.
Material: steel zinc plated



ORDER NUMBER
H2523

2646 Hinge

Dimensions: 2-9/16" x 1-5/8"
Material: brass



ORDER NUMBER
H2646

Hinges

Drawer Slides

Pulls and Knobs

Locks, Catches, Shelf Hardware

Lights

Closet and Furniture Hardware

Grommets

Kitchen Accessories

Melamine

Shop Supplies

Bi-Fold Door Hardware



Door Hardware

Hinges

6034 SERIES

6004 Double Track - 12'

For single & by-parting
3/4" & 1-3/8" doors - 50lbs.
Dimensions: 1-13/16" x 15/16"
Material: extruded anodized aluminum



ORDER NUMBER
H6004-12

6064 SERIES

6004 Double Track - 12'

For single & by-parting
3/4" & 1-3/8" doors - 50lbs.
Dimensions: 1-13/16" x 15/16"
Material: extruded anodized aluminum



ORDER NUMBER
H6004-12

SHEAVES & TRACK

#20 Sheave

3/4" min. door thickness /
50 lbs. door
Material: brass w/ nylon wheel



ORDER NUMBER
H20S

#20 Sheave Track - 12'

3/4" minimum door thickness



ORDER NUMBERS
H20T-12' Stainless Steel

H20T-12' Brass

Drawer Slides

Pulls and Knobs

Locks, Catches, Shelf Hardware

Lights

Closet and Furniture Hardware

Grommets

Kitchen Accessories

Melamine

Shop Supplies

6320 Single Wheel Carrier

3/16" offset
Single wheel, adjustable, side mount
Material: steel zinc plated / nylon wheel



ORDER NUMBER
H6320

6350 Dual Wheel Carrier

3/16" offset
Single wheel, adjustable, side mount
Material: steel zinc plated / nylon wheel



ORDER NUMBER
H6350

#18 Sheave

1" min. door thickness /
125 lb. door
Material: zamac w/ nylon wheel



ORDER NUMBER
H18S

#18 Sheave Track - 12'

1-1/4" minimum door thickness

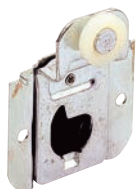


ORDER NUMBERS
H18T-12' Stainless Steel

H18T-12' Brass

6330 Single Wheel Carrier

1/2" offset
Single wheel, adjustable, side mount
Material: steel zinc plated / nylon wheel



ORDER NUMBER
H6330

6360 Single Wheel Carrier

1/2" offset
Single wheel, adjustable, side mount
Material: steel zinc plated / nylon wheel



ORDER NUMBER
H6360

#14 Sheave

1-1/4" min. door thickness /
200 lb. door
Material: zamac w/ nylon wheel



ORDER NUMBER
H14S

#14 Sheave Track - 12'

1-1/4" minimum door thickness



ORDER NUMBER
H14T-12' Bronze

114 Floor Guide

Adjustable for 3/4" to 1-3/8" doors
Dimensions: 3" x 1-3/8"
Material: steel zinc plated / nylon



ORDER NUMBER
H114

114 Floor Guide

Adjustable for 3/4" to 1-3/8" doors
Dimensions: 3" x 1-3/8"
Material: steel zinc plated / nylon



ORDER NUMBER
H114

1018 Angle Stop

For by-passing doors
Attaches to rear of front door
Material: steel zinc plated / nylon



ORDER NUMBER
H1018

2014 Floor Guide - 12'

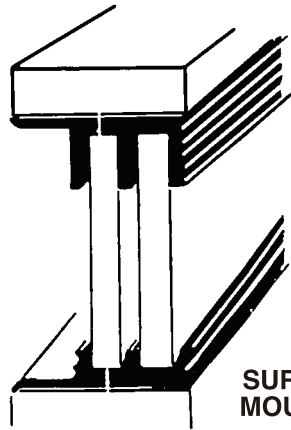
For rear door of 3 door installation
Dimensions: 7/8" x 1/2" x 3/16"
Material: aluminum



ORDER NUMBER
H2014-12

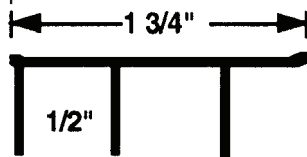
Bi-Fold Door Hardware

Aluminum Track for By-Passing Panels



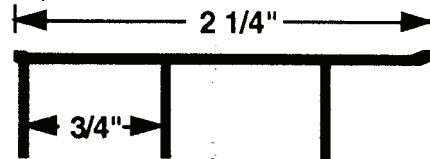
SURFACE MOUNTED

Length: 72"
 Top Track Depth: 1/2"
 Bottom Track Depth: 1/4"
 Top & Bottom Track Width: 1 3/4"



ORDER NUMBER
 For 1/2" doors..... **31-168**

Length: 72"
 Top Track Depth: 1/2"
 Bottom Track Depth: 1/4"
 Top & Bottom Track Width: 2 1/4"



ORDER NUMBER
 For 3/4" doors..... **31-166**

Hinges

Drawer Slides

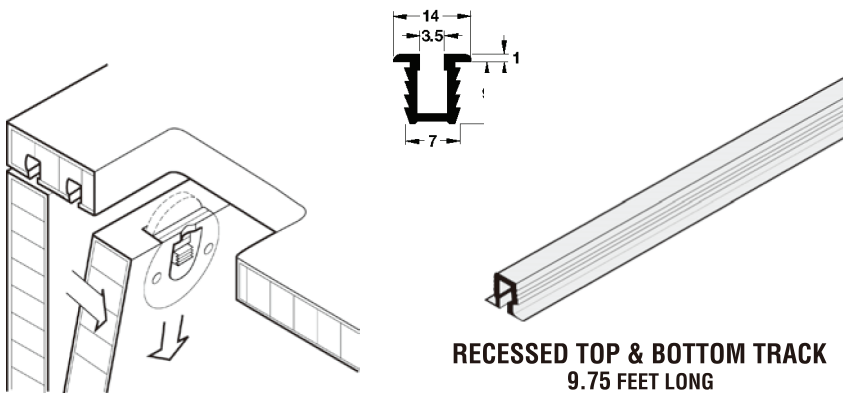
Pulls and Knobs

Locks, Catches, Shelf Hardware

Lights

Closet and Furniture Hardware

Recessed Sliding Door System



RECESSED TOP & BOTTOM TRACK
 9.75 FEET LONG

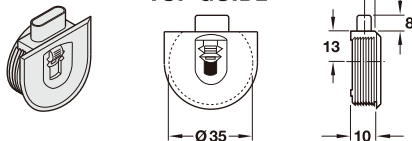
ORDER NUMBERS
 White..... **31-210**
 Brown..... **31-208**

Grommets

Kitchen Accessories

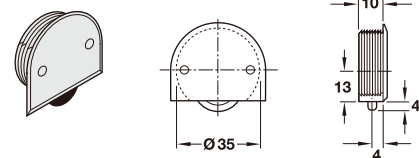
Melamine

SPRING LOADED - 35 BORING
TOP GUIDE



ORDER NUMBER..... 31-204

SPRING LOADED - 35 BORING
BOTTOM ROLLER



ORDER NUMBER..... 31-206

Shop Supplies

GROMMETS

Adjustable Grommet with Bristles

Hinges

Features:

- Overlapping Trim Edge
- Lock In Top System
- Screw Hole To Permanently Attach Grommet To Furniture
- Adjustable From 2 3/8" - 60mm To 2 1/2" - 63.5mm Item #**H6837**
- Adjustable From 3" - 76mm To 3 1/8" - 80mm Item #**H6850**

Drawer Slides

Pulls and Knobs

Locks, Catches, Shelf Hardware



014 Black



074 Satin Aluminum



075 Polished Brass

Lights

Closet and Furniture Hardware



082 Antique Brass



Silicone Sleeve Provided for Expandable Size Option

Grommets

Kitchen Accessories

Item#	Bore Hole	Expandable to Bore Hole Using Silicone Sleeve	Depth	Overall Diameter	Color
H6837-014	2-3/8" - 60mm	2 1/2" - 63.5mm	7/8" - 22mm	2-3/4" - 70mm	Black
H6837-074	2-3/8" - 60mm	2 1/2" - 63.5mm	7/8" - 22mm	2-3/4" - 70mm	Satin Aluminum

Melamine

Shop Supplies

Item#	Bore Hole	Expandable to Bore Hole Using Silicone Sleeve	Depth	Overall Diameter	Color
H6850-014	3" - 76mm	3-1/8" - 80mm	7/8" - 22mm	3-1/4" - 82.5mm	Black
H6850-074	3" - 76mm	3-1/8" - 80mm	7/8" - 22mm	3-1/4" - 82.5mm	Satin Aluminum
H6850-075	3" - 76mm	3-1/8" - 80mm	7/8" - 22mm	3-1/4" - 82.5mm	Polished Brass
H6850-082	3" - 76mm	3-1/8" - 80mm	7/8" - 22mm	3-1/4" - 82.5mm	Antique Brass

GROMMETS

Adjustable Grommet with Bristles

Features:

- Overlapping Trim Edge
- Hinged Top with Brushes
- Satin Aluminum Finish



Hinges

Drawer Slides

Pulls and Knobs

Locks, Catches, Shelf Hardware

Lights

Closet and Furniture Hardware

Grommets

Kitchen Accessories

Item#	Bore Hole	Depth	Overall Diameter	Color
H6891-014	9-1/3" - 237mm X 3-9/10" - 99mm	9/16" - 15mm	9-15/32" - 240mm X 3-15/16" - 100mm	Black

Melamine

Shop Supplies

GROMMETS

Stainless Steel Grommets

- Hinges
- 16 SIZES AVAILABLE
 - OVERLAPPING TRIM EDGE
 - PROFESSIONAL FINISHING TOUCH

	Item#	Bore Hole	Depth	Overall Dia.	Color	Finish
Drawer Slides	H6123-179	2-1/2" - 64mm	1" - 25mm	3" - 76mm	Stainless Steel	Polished
Pulls and Knobs	H6123-279	3" - 76mm	1-1/2" - 50mm	3-1/2" - 89mm	Stainless Steel	Polished
	H6124-279	4" - 102mm	2" - 50mm	4-3/4" - 120mm	Stainless Steel	Polished
Locks, Catches, Shelf Hardware	H6143-100	5" - 127mm	2" - 50mm	5-3/4" - 146mm	Stainless Steel	Brushed
	H6143-100	6" - 152mm	1" - 25mm	6-3/4" - 171mm	Stainless Steel	Brushed
	H6143-179	6" - 152mm	1" - 25mm	6-3/4" - 171mm	Stainless Steel	Polished
Lights	H6143-279	6" - 152mm	2" - 25mm	6-3/4" - 171mm	Stainless Steel	Polished
	H6143-479	6" - 152mm	4" - 102mm	6-3/4" - 171mm	Stainless Steel	Polished
Closet and Furniture Hardware	H6143-679	6" - 152mm	6" - 152mm	6-3/4" - 171mm	Stainless Steel	Polished
	H6148-179	8" - 203mm	1" - 25mm	8-3/4" - 222mm	Stainless Steel	Polished
Grommets	H6148-279	8" - 203mm	2" - 25mm	8-3/4" - 222mm	Stainless Steel	Polished
	H6150-179	10" - 254mm	1" - 25mm	10-3/4" - 273mm	Stainless Steel	Polished
Kitchen Accessories	H6150-279	10" - 254mm	2" - 25mm	10-3/4" - 273mm	Stainless Steel	Polished
	H6152-179	12" - 304mm	1" - 25mm	12-3/4" - 323mm	Stainless Steel	Polished
Melamine	H6152-279	12" - 304mm	2" - 25mm	12-3/4" - 323mm	Stainless Steel	Polished
	H6152-679	12" - 304mm	6" - 152mm	12-3/4" - 323mm	Stainless Steel	Polished

Shop Supplies



GROMMETS

Stainless Steel Grommets

- OVERLAPPING TRIM EDGE
- SMOOTH FINISH
- PROFESSIONAL FINISHING TOUCH



1" Depth

Item#	Bore Hole	Depth	Overall Diameter	Color	Finish
H6123-179	2-1/2" - 64mm	1" - 25mm	3" - 76mm	Stainless Steel	Polished
H6123-279	3" - 76mm	1-1/2" - 50mm	3-1/2" - 89mm	Stainless Steel	Polished
H6143-100	6" - 152mm	1" - 25mm	6-3/4" - 171mm	Stainless Steel	Brushed
H6143-179	6" - 152mm	1" - 25mm	6-3/4" - 171mm	Stainless Steel	Polished
H6148-179	8" - 203mm	1" - 25mm	8-3/4" - 222mm	Stainless Steel	Polished
H6150-179	10" - 254mm	1" - 25mm	10-3/4" - 273mm	Stainless Steel	Polished
H6152-179	12" - 304mm	1" - 25mm	12-3/4" - 323mm	Stainless Steel	Polished



2" Depth

Item#	Bore Hole	Depth	Overall Diameter	Color	Finish
H6124-279	4" - 102mm	2" - 50mm	4-3/4" - 120mm	Stainless Steel	Polished
H6145-100	5" - 127mm	2" - 50mm	5-3/4" - 146mm	Stainless Steel	Brushed
H6143-279	6" - 152mm	2" - 25mm	6-3/4" - 171mm	Stainless Steel	Polished
H6148-279	8" - 203mm	2" - 25mm	8-3/4" - 222mm	Stainless Steel	Polished
H6150-279	10" - 254mm	2" - 25mm	10-3/4" - 273mm	Stainless Steel	Polished
H6152-279	12" - 304mm	2" - 25mm	12-3/4" - 323mm	Stainless Steel	Polished

Hinges

Drawer Slides

Pulls and Knobs

Locks, Catches, Shelf Hardware

Lights

Closet and Furniture Hardware

Grommets

Kitchen Accessories

Melamine

Shop Supplies

GROMMETS

Stainless Steel Grommets

Hinges

- OVERLAPPING TRIM EDGE
- SMOOTH FINISH
- PROFESSIONAL FINISHING TOUCH

Drawer Slides

Pulls and Knobs

Locks, Catches, Shelf Hardware



4" Depth

Lights

Item#	Bore Hole	Depth	Overall Diameter	Color	Finish
H6143-479	6" - 152mm	4" - 102mm	6-3/4" - 171mm	Stainless Steel	Polished

Closet and Furniture Hardware

Grommets

Kitchen Accessories

Melamine



6" Depth

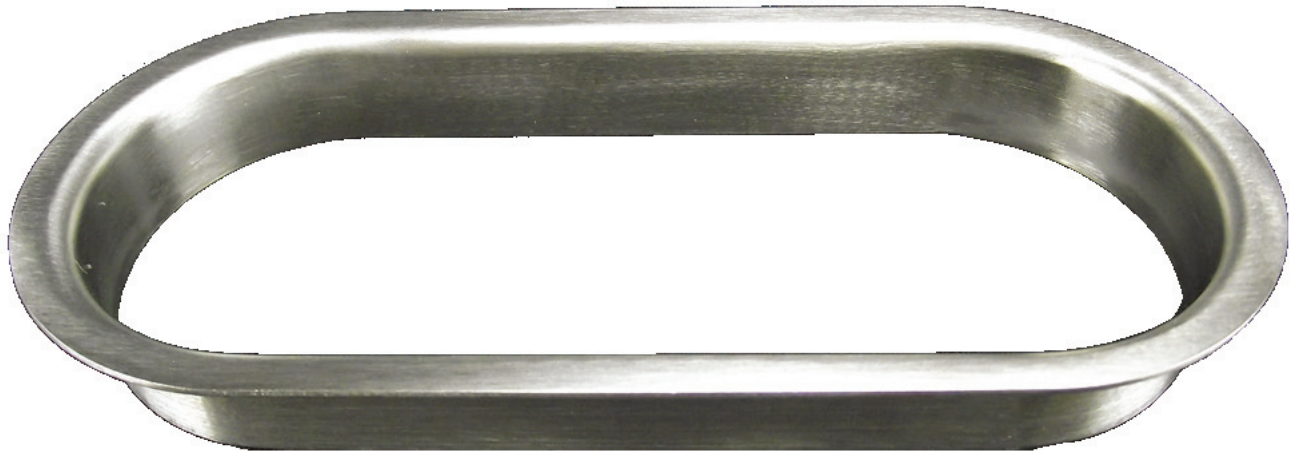
Shop Supplies

Item#	Bore Hole	Depth	Overall Diameter	Color	Finish
H6143-679	6" - 152mm	6" - 152mm	6-3/4" - 171mm	Stainless Steel	Polished
H6152-679	12" - 304mm	6" - 152mm	12-3/4" - 323mm	Stainless Steel	Polished

GROMMETS

Stainless Steel Grommets

- OVERLAPPING TRIM EDGE
- SMOOTH FINISH
- PROFESSIONAL FINISHING TOUCH



Hinges

Drawer Slides

Pulls and Knobs

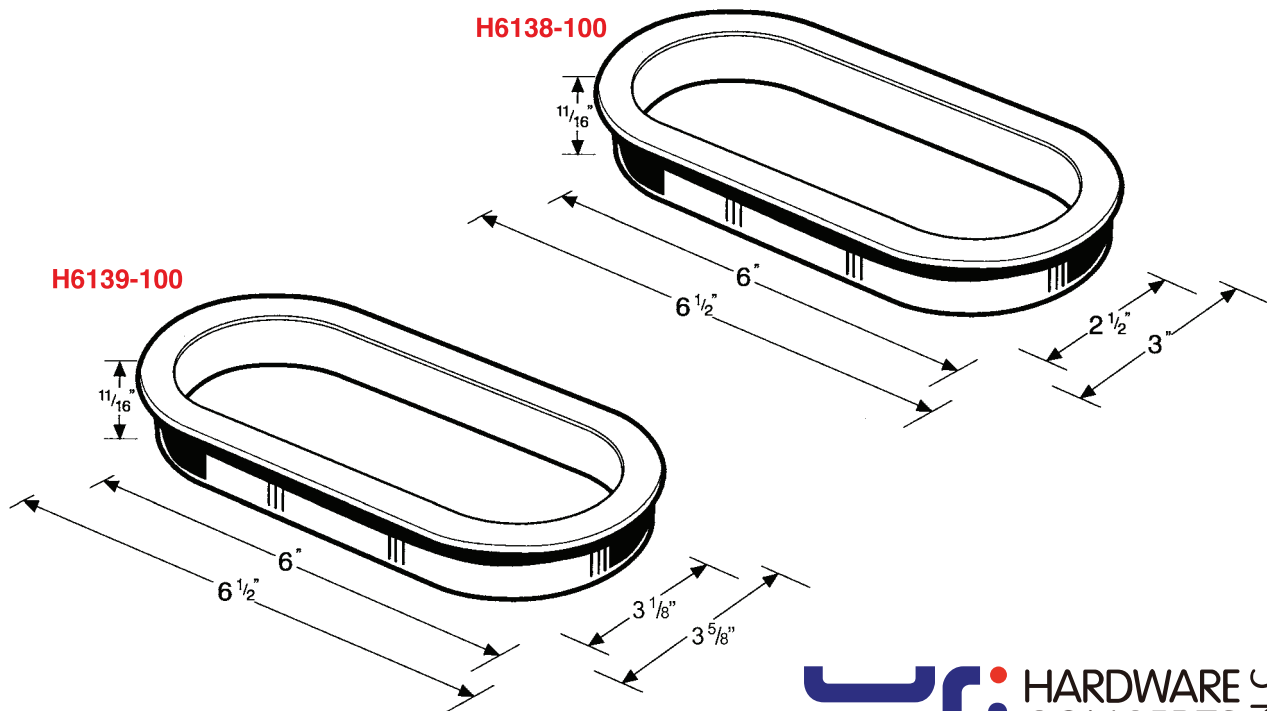
Locks, Catches, Shelf Hardware

Lights

Item#	Bore Hole	Depth	Color	Finish
H6138-100	6" - 152mm x 2-1/2" - 64mm	11/16"	Stainless Steel	Brushed
H6139-100	6" - 152mm x 3-1/8" - 64mm	11/16"	Stainless Steel	Brushed

Closet and Furniture Hardware

Grommets



Kitchen Accessories

Melamine

Shop Supplies



GROMMETS

Trash Grommets

Hinges

- OVERLAPPING TRIM EDGE
- SMOOTH FINISH
- PROFESSIONAL FINISHING TOUCH

Drawer Slides

Item#	Bore Hole	Depth	Overall Diameter	Color
H6122-010	4-1/8" 105mm	7/8" - 22mm	4-3/8" - 111mm	White
H6122-014	4-1/8" 105mm	7/8" - 22mm	4-3/8" - 111mm	Black
H6122-021	4-1/8" 105mm	7/8" - 22mm	4-3/8" - 111mm	Gray
H6122-029	4-1/8" 105mm	7/8" - 22mm	4-3/8" - 111mm	Almond
H6122-075	4-1/8" 105mm	7/8" - 22mm	4-3/8" - 111mm	Gold
H6122-079	4-1/8" 105mm	7/8" - 22mm	4-3/8" - 111mm	Chrome

Pulls and Knobs

Locks, Catches, Shelf Hardware

Item#	Bore Hole	Depth	Overall Diameter	Color
44-115	6" - 152mm	1" - 25mm	6-3/4" - 171mm	White
44-117	6" - 152mm	1" - 25mm	6-3/4" - 171mm	Black
44-119	6" - 152mm	1" - 25mm	6-3/4" - 171mm	Gray
44-121	6" - 152mm	1" - 25mm	6-3/4" - 171mm	Almond
44-123	6" - 152mm	1" - 25mm	6-3/4" - 171mm	Brown
44-113	6" - 152mm	1" - 25mm	6-3/4" - 171mm	Chrome

Lights

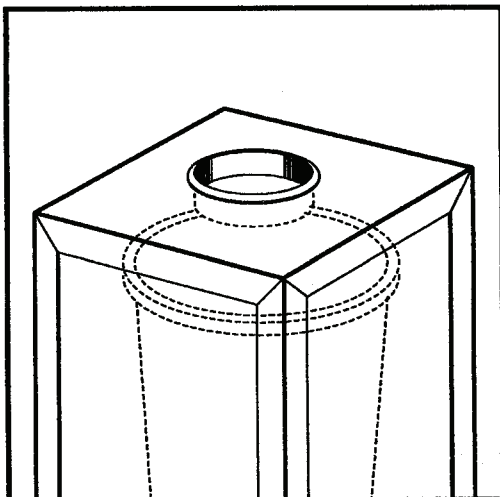
Closet and Furniture Hardware

Grommets

Kitchen Accessories

Melamine

Shop Supplies

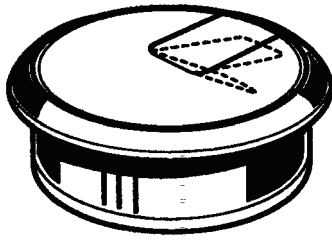


44-117 Black Shown

GROMMETS

2-Piece Wire Grommet

- Made In U.S.A.
- Living Hinge Tabbed Openings
- Fine Pebble Texture Finish
- Overlapping Trim Edge



Item#	Bore Hole	Depth	Overall Dia.	Color	Size
44-131	3/4" - 19mm	5/8" - 16mm	1" - 25mm	Black	3/4" - 19mm
Item#	Bore Hole	Depth	Overall Dia.	Color	Size
44-133	1" - 25mm	5/8" - 16mm	1-1/4" - 32mm	Black	1" - 25mm
Item#	Bore Hole	Depth	Overall Dia.	Color	Size
44-135	1-1/4" - 32mm	5/8" - 16mm	1-1/2" - 38mm	Black	1-1/4" - 32mm
44-134	1-1/4" - 32mm	5/8" - 16mm	1-1/2" - 38mm	White	1-1/4" - 32mm
Item#	Bore Hole	Depth	Overall Dia.	Color	Size
44-136	1-1/2" - 38mm	5/8" - 16mm	1-3/4" - 44mm	White	1-1/2" - 38mm
44-137	1-1/2" - 38mm	5/8" - 16mm	1-3/4" - 44mm	Black	1-1/2" - 38mm
44-138	1-1/2" - 38mm	5/8" - 16mm	1-3/4" - 44mm	Almond	1-1/2" - 38mm
Item#	Bore Hole	Depth	Overall Dia.	Color	Size
44-124	1-3/4" - 44mm	1" - 25mm	2" - 50mm	White	1-3/4" - 44mm
44-125	1-3/4" - 44mm	1" - 25mm	2" - 50mm	Almond	1-3/4" - 44mm
44-139	1-3/4" - 44mm	1" - 25mm	2" - 50mm	Black	1-3/4" - 44mm
Item#	Bore Hole	Depth	Overall Dia.	Color	Size
44-150	2" - 50mm	5/8" - 16mm	2-1/4" - 57mm	White	2" - 50mm
44-151	2" - 50mm	5/8" - 16mm	2-1/4" - 57mm	Black	2" - 50mm
44-152	2" - 50mm	5/8" - 16mm	2-1/4" - 57mm	Almond	2" - 50mm

Hinges

Drawer Slides

Pulls and Knobs

Locks, Catches, Shelf Hardware

Lights

Closet and Furniture Hardware

Grommets

Kitchen Accessories

Melamine

Shop Supplies

All Colors are approximations, Actual results may vary.



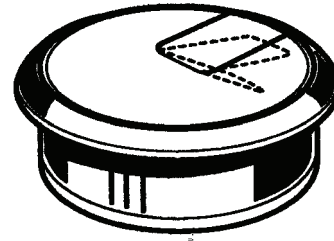
GROMMETS

2-Piece Wire Grommet

- Hinges
- Made In U.S.A.
 - Living Hinge Tabbed Openings
 - Fine Pebble Texture Finish
 - Overlapping Trim Edge

Drawer Slides

Pulls and Knobs



Part # 44-156 Shown

Locks, Catches, Shelf Hardware

Item#	Bore Hole	Depth	Overall Dia.	Color	Size
44-140	2-3/8" - 60mm	5/8" - 16mm	2-5/8" - 67mm	White	2-3/8" - 60mm
44-141	2-3/8" - 60mm	5/8" - 16mm	2-5/8" - 67mm	Black	2-3/8" - 60mm
44-142	2-3/8" - 60mm	5/8" - 16mm	2-5/8" - 67mm	Almond	2-3/8" - 60mm

Lights

Item#	Bore Hole	Depth	Overall Dia.	Color	Size
44-148	2-1/2" - 66mm	5/8" - 16mm	2-3/4" - 70mm	White	2-1/2" - 64mm
44-143	2-1/2" - 66mm	5/8" - 16mm	2-3/4" - 70mm	Black	2-1/2" - 64mm
44-144	2-1/2" - 66mm	5/8" - 16mm	2-3/4" - 70mm	Almond	2-1/2" - 64mm

Closet and Furniture Hardware

Grommets

Item#	Bore Hole	Depth	Overall Dia.	Color	Size
44-156	3" - 76mm	5/8" - 16mm	3-1/4" - 83mm	White	3" - 76mm
44-145	3" - 76mm	5/8" - 16mm	3-1/4" - 83mm	Black	3" - 76mm
44-146	3" - 76mm	5/8" - 16mm	3-1/4" - 83mm	Almond	3" - 76mm

Kitchen Accessories

Item#	Bore Hole	Depth	Overall Dia.	Color	Size
44-147	3-1/4" - 83mm	5/8" - 16mm	3-1/2" - 89mm	Black	3-1/4" - 83mm

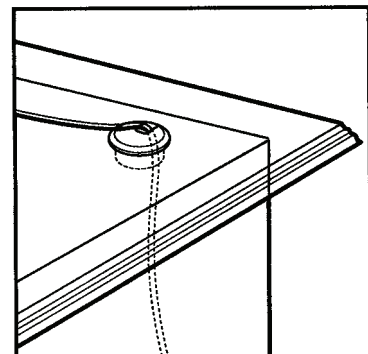
Melamine

Item#	Bore Hole	Depth	Overall Dia.	Color	Size
44-149	3-1/2" - 89mm	5/8" - 16mm	3-3/4" - 95mm	Black	3-1/2" - 89mm

All Colors are approximations, Actual results may vary.

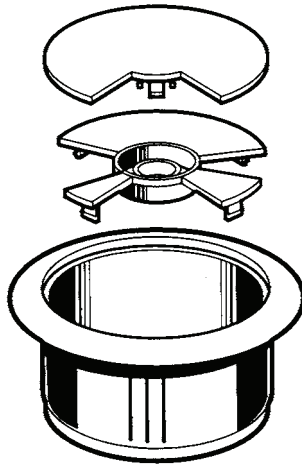


Shop Supplies



GROMMETS

3-Piece Wire Grommet



- Made In U.S.A.
- Living Hinge Tabbed Openings
- Fine Pebble Texture Finish
- Overlapping Trim Edge

Hinges

Drawer Slides

Pulls and Knobs

Part # **44-786** Shown

Item#	Bore Hole	Depth	Overall Dia.	Color	Size
43-780	50mm	25mm	62mm	White	50mm
43-782	50mm	25mm	62mm	Black	50mm
43-786	50mm	25mm	62mm	Almond	50mm
43-788	50mm	25mm	62mm	Brown	v
Item#	Bore Hole	Depth	Overall Dia.	Color	Size
43-200	60mm	25mm	72mm	White	60mm
43-194	60mm	25mm	72mm	Black	60mm
43-202	60mm	25mm	72mm	Gray	60mm
43-204	60mm	25mm	72mm	Almond	60mm
43-192	60mm	25mm	72mm	Brown	60mm
Item#	Bore Hole	Depth	Overall Dia.	Color	Size
43-206	70mm	25mm	82mm	White	70mm
43-794	70mm	25mm	82mm	Black	70mm
43-208	70mm	25mm	82mm	Gray	70mm
43-210	70mm	25mm	82mm	Almond	70mm
Item#	Bore Hole	Depth	Overall Dia.	Color	Size
43-796	80mm	25mm	92mm	Black	80mm

Locks, Catches, Shelf Hardware

Lights

Closet and Furniture Hardware

Grommets

Kitchen Accessories

Melamine

Shop Supplies

All Colors are approximations, Actual results may vary.



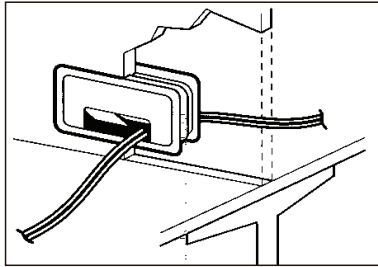
GROMMETS

Paper Grommet

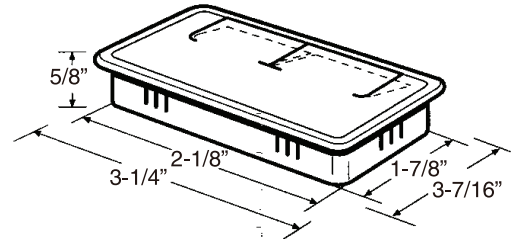
Hinges

----- Telescoping Wire Grommet - Liner & Edge Hinged Tab -----

Drawer Slides



Pulls and Knobs



ORDER NUMBER.....44-167

Available in
Black

Features

- Made in U.S.A
- Living hinge tabbed openings
- Fine pebble texture finish
- Overlapping trim edge



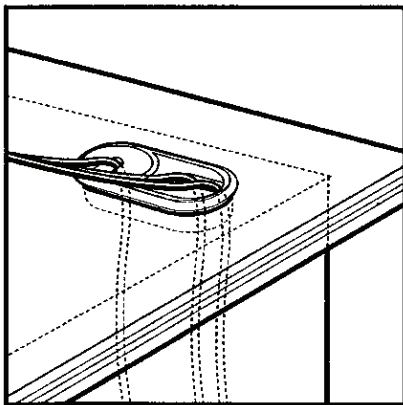
Locks, Catches, Shelf Hardware

Lights

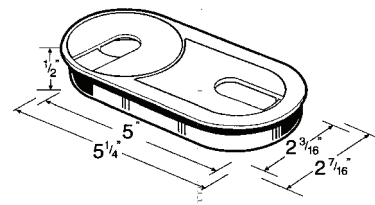
Closet and Furniture Hardware

----- Telescoping Wire Grommet - Liner & Edge Hinged Tab -----

Grommets



Kitchen Accessories



ORDER NUMBER.....44-173

Available in
Black Only

Features

- Made in U.S.A
- Fine pebble texture finish



Shop Supplies

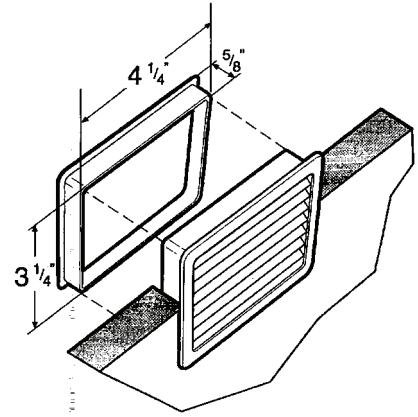
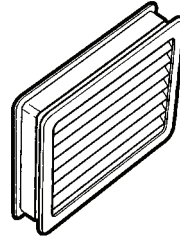
Melamine

GROMMETS

Ventilation Grommets



Color **010** White Shown



Item#	Bore Hole	Depth	Overall Diameter	Color
H6437-010	3-1/4" 83mm	5/8" - 15mm	4-1/4" - 108mm	White
43-478	3-1/4" 83mm	5/8" - 15mm	4-1/4" - 108mm	Black
H6437-021	3-1/4" 83mm	5/8" - 15mm	4-1/4" - 108mm	Gray
H6437-029	3-1/4" 83mm	5/8" - 15mm	4-1/4" - 108mm	Almond
H6437-058	3-1/4" 83mm	5/8" - 15mm	4-1/4" - 108mm	Brown

Hinges

Drawer Slides

Pulls and Knobs

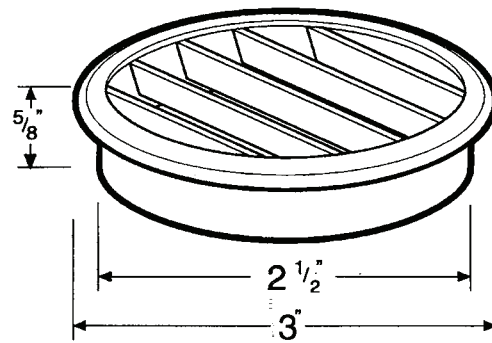
Locks, Catches, Shelf Hardware

Lights

Closet and Furniture Hardware



44-153 Black Shown



Item#	Bore Hole	Depth	Overall Diameter	Color
H6435-010	2-1/2" 64mm	5/8" - 16mm	3" - 76mm	White
44-153	2-1/2" 64mm	5/8" - 16mm	3" - 76mm	Black
H6435-021	2-1/2" 64mm	5/8" - 16mm	3" - 76mm	Gray
H6435-029	2-1/2" 64mm	5/8" - 16mm	3" - 76mm	Almond
H6435-058	2-1/2" 64mm	5/8" - 16mm	3" - 76mm	Brown

Grommets

Kitchen Accessories

Melamine

Shop Supplies

GROMMETS

Ventilation Grommets

Hinges

- OVERLAPPING TRIM EDGE

- SMOOTH FINISH

- PROFESSIONAL FINISHING TOUCH

Drawer Slides

- SCREW HOLES TO SECURE GROMMET TO FURNITURE

- ALL STEEL CONSTRUCTION

Pulls and Knobs

Locks, Catches, Shelf Hardware

Lights

Closet and Furniture Hardware



Color **014** Black Shown

Grommets

Kitchen Accessories

Item#	Bore Hole		Depth	Overall Diameter	Color
H6439-014	Length	12"	5/8"	12-1/2"	Black
	Width	6"			
H6439-078	Length	12"	5/8"	12-1/2"	Brushed
	Width	6"			Chrome

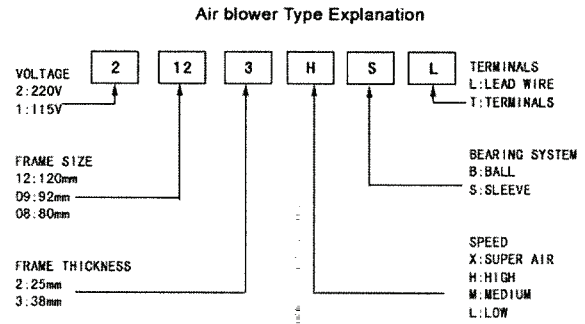
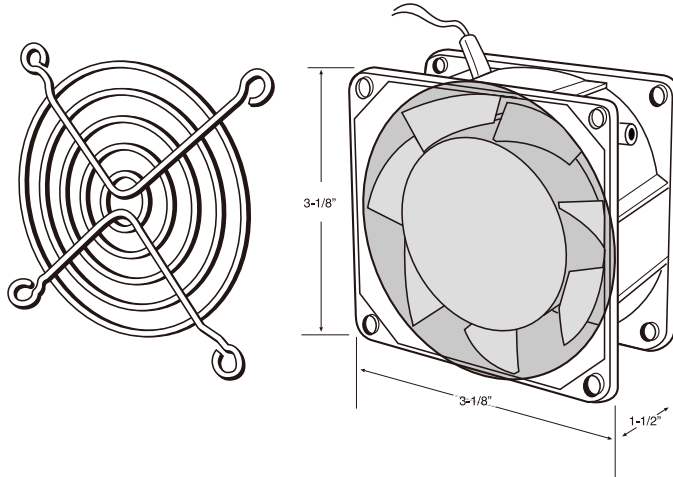
Melamine

Shop Supplies

GROMMETS



Ventilation Fan



ORDER NUMBER.....44-155
Fan sold with steel protector

Hinges

Drawer Slides

Pulls and Knobs

Locks, Catches, Shelf Hardware

Lights



The axial-flow AC fan uses aluminum die casting frame, with blades made of VO pole fire resistant PBT plastic injection mold, oil bearing structure. The fan widely applies to accurate apparatus, generating equipment, warm-air drier, electric welder. Before leaving factory, the fan is strictly tested (including dielectric strength, moisture-proof, cold resistance, thermostability, impact strength, longevity experiment, etc.) to insure maximum safety and maximum life expectancy.

**AVERAGE LIFE OF FAN 50,000 HOURS
(5.7 YEARS OF CONSTANT USE!!)**

- Motor: Shaded pole motor structure
- Frame: Black stoving varnish aluminium die casting, antiseptic and damp proof.
- Fan Blade: Injection molded one-off shaping, PBT+30% Fiberglass = VO pole fire resistant agent
- Insulation: B level insulated eNamel-covered wire with 120 centigrade high-temperature resistance
- Insulating Electric Resistance: over 500 mega-ohm
- Withstand Voltage: Leaking current 0.5 mA, withstand voltage 1500/one minute.
- Operating temperature: -10 centigrade to +70 centigrade
- Storing temperature: -40 centigrade to +70 centigrade
- Operating Voltage: 115V (from 85V to 125V)
- 220V (from 185V to 245V)
- Working life 50,000 hours
- Environment temperature s 25 Deg. C

Closet and Furniture Hardware

Grommets

Kitchen Accessories

Melamine

Shop Supplies

KITCHEN ACCESSORIES

LAZY SUSANS

Hinges

Drawer Slides

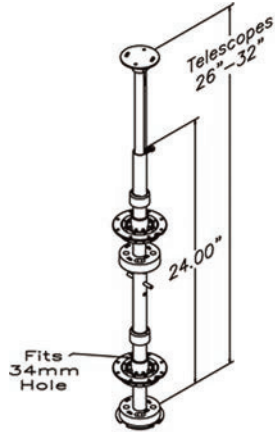
Pulls and Knobs

Locks, Catches, Shelf Hardware

Lights

Closet and Furniture Hardware

Grommets



Kitchen Accessories

Melamine

Shop Supplies

Wood Kidney Shaped 2 Tray Set With Hardware

ORDER NUMBER	TRAY	MATERIAL
45-810	24" KIDNEY	WOOD
45-812	28" KIDNEY	WOOD
45-814	32" KIDNEY	WOOD

Post Adjustable from 26" to 32"

Wood Full Circle 2 Tray Set With Hardware

ORDER NUMBER	TRAY	MATERIAL
45-816	18"	WOOD
45-818	20"	WOOD
45-820	28"	WOOD
45-822	32"	WOOD

Post Adjustable from 26" to 32"

Wood Full Circle 3 Tray Set With Hardware

ORDER NUMBER	TRAY	MATERIAL
45-824	18"	WOOD

Post Adjustable from 34" to 40"

Select Series Susans

- The ultimate interior corner storage solution setting the industry standard for wood lazy susan shelves
- Constructed from 12mm thick shelf multi-directional maple plywood shell
- Wrapped with a high-impact 10 ply maple rim
- Patent pending pole hardware with positive locking pin and heavy duty polymer hub
- Bore and dowel butt joints; no finger joints
- Available in many sizes in full round, kidney or D shape
- All units protected with durable pre-catalyzed UV finish



Omega National
PRODUCTS

KITCHEN ACCESSORIES

LAZY SUSANS

Polyurethane Full Circle 2 Tray Set With Hardware

ORDER NUMBER	DESCRIPTION
46-300	18" FULL ROUND WHITE LAZY SUSAN
46-302	20" FULL ROUND WHITE LAZY SUSAN
46-304	24" FULL ROUND WHITE LAZY SUSAN
46-306	28" FULL ROUND WHITE LAZY SUSAN
46-308	32" FULL ROUND WHITE LAZY SUSAN

Polyurethane - Post Adjustable from 28" to 30 1/2"



Hinges

Drawer Slides

Pulls and Knobs

Locks, Catches, Shelf Hardware

Polyurethane Half Moon 2 Tray Set With Hardware

ORDER NUMBER	DESCRIPTION
46-300	18" FULL ROUND WHITE LAZY SUSAN

Post Adjustable from 26" to 32"



Lights

Closet and Furniture Hardware

Polyurethane Pie Cut / Kidney Shaped 2 Tray Set With Hardware

ORDER NUMBER	DESCRIPTION
46-330	24" PIE-CUT WHITE LAZY SUSAN
46-332	28" PIE-CUT WHITE LAZY SUSAN
46-400	24" WHITE KIDNEY LAZY SUSAN
46-402	28" WHITE KIDNEY LAZY SUSAN
46-404	32" WHITE KIDNEY LAZY SUSAN

Post Adjustable from 28" to 33 1/2"



Grommets

Kitchen Accessories

Melamine

Shop Supplies

KITCHEN ACCESSORIES

LAZY SUSANS



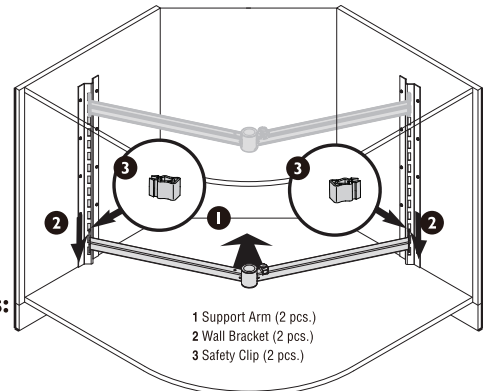
VAUTH-SAGEL

Recorner maxx®

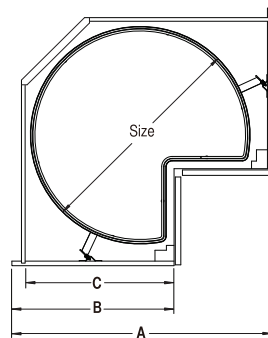
Recorner maxx, the corner cabinet solution with a distinctly better use of storage space. The new corner cabinet solution Recorner maxx® convinces by a fundamentally changed construction: there is no space limiting center post any more. The trays are mounted on a horizontal support arm. Optimal use of storage space for bulky accessories like bowls, trays, pots and pans etc. The hardware is virtually invisible.

Recorner maxx Kidney, specification details:

- Tool-less height adjustment of the trays
- Can be used in base, pantry and wall cabinets
- Can be retrofitted into existing cabinets
- Load capacity: 62 lbs. (28 kg) per shelf 24-3/8" (620mm)
- 26.5 lbs. (12 kg) for size 18-7/8" (480 mm)
- Inside height min. 24-3/8" (620 mm)



Cabinet dimensions:



Hinges

Drawer Slides

Pulls and Knobs

Locks, Catches, Shelf Hardware

Lights

Closet and Furniture Hardware

Grommets

Kitchen Accessories

Melamine

Shop Supplies



Recorner maxx Kidney in a corner wall cabinet

Item No.	Description	Size	A	B From To	C Mn. Depth
VS-9000 4098	Kidney	Ø 30" (760 mm)	35-1/2" (900 mm)	21-1/4" - 24" (540 - 610 mm)	19-2/8" (505 mm)
VS-9000 4099	Full round	Ø 30" (760 mm)			

Packing: 1 set; consisting of 2 trays, 2 support arms, 2 wall brackets and mounting instructions.

Pull-Out Pantry Systems



HSA Pull-Out

The full pull-out pantry unit with elegant and uniform design which allows access to the contents of every basket. Rails: Further improved operating due to new roller bearing, automatic closing and enhanced profile geometry.

Installation: Easyfit, Click system for assembling the frame on the lower and upper slides. Synchronic end caps up and down are guaranteed. Optimized damping.



Saphir, chrome plated baskets



Hinges

Drawer Slides

Pulls and Knobs

Locks, Catches, Shelf Hardware

Lights

Closet and Furniture Hardware

Grommets

Kitchen Accessories

Melamine

Shop Supplies

Pull-Out Pantry Systems

Hinges

Drawer Slides

Pulls and Knobs

Locks, Catches, Shelf Hardware

Lights

Closet and Furniture Hardware

Grommets

Kitchen Accessories

Melamine

Shop Supplies



VAUTH-SAGEL

HSA pull-out, specification details:

- Tool-less assembly of the frame onto the slide
- Available frame heights from 25-1/2" to 91-3/4" (650 to 2330 mm)
- Installation depth of 22-1/2" (575 mm)
- Stabilizing of the front by front strips
- 3 way front adjustment
- Height-adjustable basket assembly
- Full-extension slides with soft-closing system
- High performance slides for a total load capacity of 265 lbs. (120 kg)



Scalea, maple melamine base, silver powder coated baskets

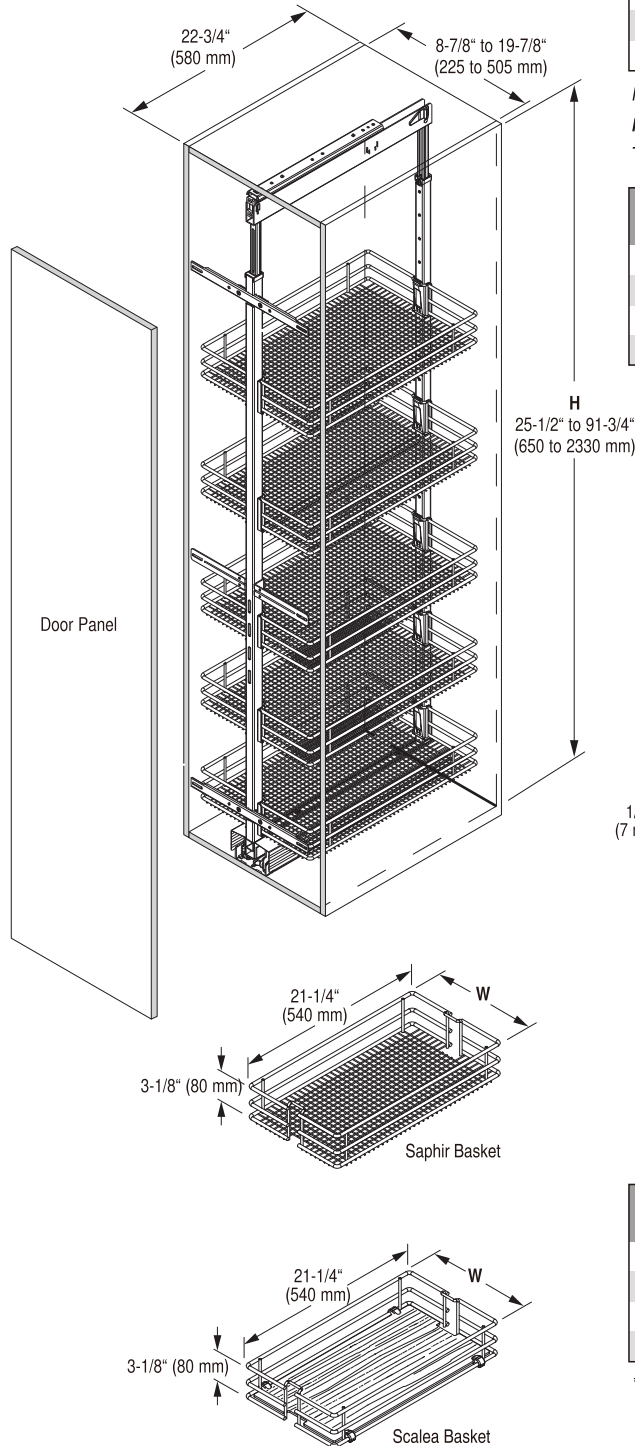
KITCHEN ACCESSORIES

Pull-Out Pantry Systems



VAUTH-SAGEL

Cabinet dimensions:



Order parts here individually or sets on next Page:

1. Select HSA frame, 2. Add door adapters, 3. Select basket set
HSA pull-out frame, including top and bottom slide, silver.

Item No.	HSA	Inside Cabinet Height: H from min. to max.	Recommended Number of Baskets
VS-9000 2173	3	47-1/4" - 57" (1200 mm - 1450 mm)	4
VS-9000 2174	4	57" - 67" (1450 mm - 1700 mm)	4
VS-9000 2176	6	74-3/4" - 91-3/4" (1900 mm - 2330 mm)	5

Packing: 1 set per box

Note:

- one complete SET needs frame, baskets + door adapters

Basket Set Saphir chrome Item No.	Basket Set Scalea maple/silver Item No.	Min. Opening Cabinet Width	Basket Width: W	Set Packing Number of Baskets
VS-9000 2152	VS-9000 2162	8-7/8" (225 mm)	8-1/4" (210 mm)	2
VS-9000 2154	VS-9000 2164	11-5/8" (295 mm)	11" (280 mm)	2
VS-9000 2156	VS-9000 2166	14-3/8" (365 mm)	13-3/4" (350 mm)	2
VS-9000 2158	VS-9000 2168	17-1/8" (435 mm)	16-1/2" (420 mm)	2

Hinges

Drawer Slides

Pulls and Knobs

Locks, Catches, Shelf Hardware

Lights

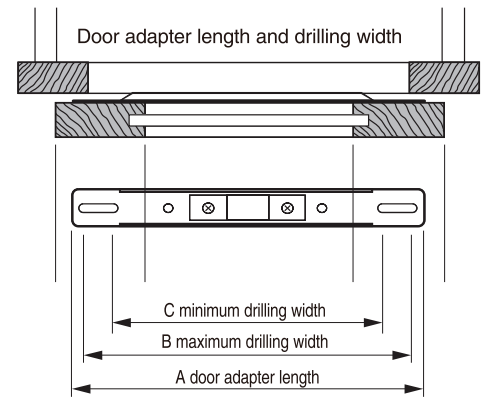
Closet and Furniture Hardware

Grommets

Kitchen Accessories

Melamine

Shop Supplies



Size	A	B	C
1	8-1/2" (216 mm)	8" (202 mm)	6" (152 mm)
2	11-1/2" (292 mm)	11" (278 mm)	19" (228 mm)
3	14-1/2" (368 mm)	14" (354 mm)	12" (304 mm)
4	17-1/2" (444 mm)	16-7/8" (430 mm)	15" (330 mm)
5	20-1/2" (520 mm)	19-7/8" (506 mm)	18" (456 mm)
6	21-1/2" (545 mm)	20-7/8" (531 mm)	19" (481 mm)

Standard Door Adapter Packing 2 pcs. Item No.	*Intermediate Door Adapter Packing 1 pc. Item No.	Door Adapters Size	in. (mm)
VS-9000 2177	VS-9000 2183	1	8-1/2" (216 mm)
VS-9000 2178	VS-9000 2214	2	11-1/2" (292 mm)
VS-9000 2179	VS-9000 2215	3	14-1/2" (368 mm)
VS-9000 2180	VS-9000 2216	4	17-1/2" (444 mm)

* Recommended for HSA 4, 5 and 6

KITCHEN ACCESSORIES

Corner Pull-Out

Hinges



VAUTH-SAGEL

Drawer Slides

Wari corner®

Wari corner, an optimized version among the classic blind corner cabinets.

Due to its user-friendly movement the corner cabinet Wari corner is easily accessible when opened. Thanks to its fronts with integrated 3-way adjustment and central height alignment, the Wari corner can be adjusted perfectly. When opening the cabinet door, the front baskets swing sideward automatically enabling free access to the rear baskets. The newly integrated damping system guarantees a silent and smooth closing of the mechanism.

Pulls and Knobs

Locks, Catches, Shelf Hardware

Lights

Closet and Furniture Hardware

Grommets

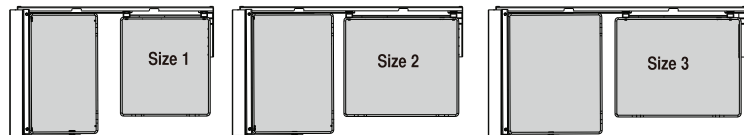
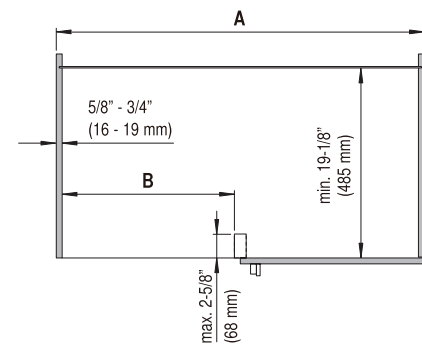
Kitchen Accessories



Saphir baskets chrome, left hand installation

Wari corner, specification details:

- Available in 3 sizes
- Easy assembly of fronts with central height adjustment
- Independent width door mount bracket
- Optimized self and soft close system
- Height adjustable storage elements
- Toolless door attachment
- Inside height min. 20-7/8" (530 mm)
- Load capacity: Door basket 17,6 lbs. (8 kg), cabinet basket 21 lbs. (9,5 kg)



Size	door width	A	B
1	15-3/4" - 17-3/4" (400 - 450 mm)	31-1/2" (800 mm)	14-1/2" - 16-1/2" (361 - 418 mm)
2	17-3/4" - 23-1/2" (450 - 600 mm)	35-1/2" (900 mm)	16-1/8" - 22-3/8" (411 - 568 mm)
3	19-5/8" - 23-1/2" (500 - 600 mm)	39-3/8" (1000 mm)	18-1/8" - 22-3/8" (411 - 568 mm)



Scalea maple silver baskets, right hand installation

Item No. Left	Item No. Right	Size	Basket
VS-9000 4165	VS-9000 4164	1	Saphir chrome
VS-9000 4169	VS-9000 4168	1	Scalea maple silver
VS-9000 3891	VS-9000 3890	2	Saphir chrome
VS-9000 4105	VS-9000 4104	2	Scalea maple silver

Melamine

Twin Corner Maple Silver

Shop Supplies

Item No. Left	Item No. Right	Size	Basket
VS-9000 2409	VS-9000 2410	1	Maple Silver
VS-9000 2411	VS-9000 2412	2	Maple Silver



Pull-Out Systems



DSA Pull-Out Frame



Hinges

Drawer Slides

Pulls and Knobs

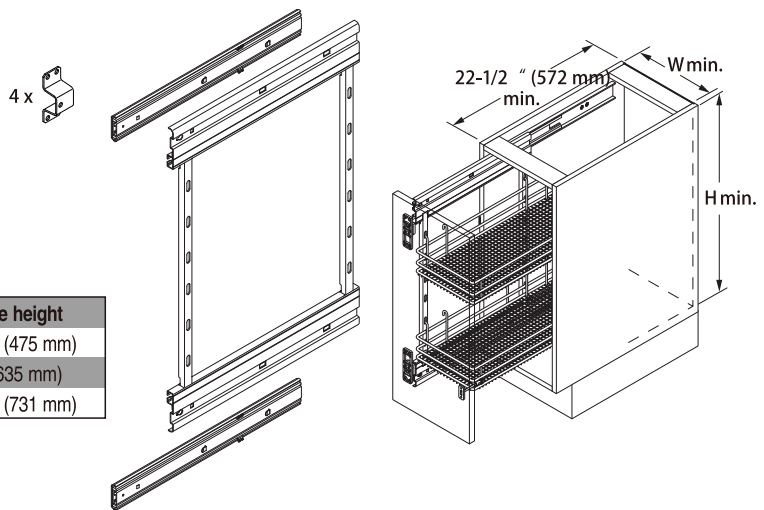
Locks, Catches, Shelf Hardware

Lights

Closet and Furniture Hardware

Grommets

Kitchen Accessories



Melamine

Shop Supplies

Item No.	Description	For basket qty.	Frame height
VS-9000 2999	DSA 1 frame	2	18-3/4" (475 mm)
VS-9000 3001	DSA 3 frame	2	25" (635 mm)
VS-9000 3002	DSA 4 frame	3	28-3/4" (731 mm)

Packing: 1 set of frame, slide and spacer
 Finish: silver
 Note: Basket sets need to be ordered separately (see next page)

KITCHEN ACCESSORIES

Pull-Out Systems

Hinges



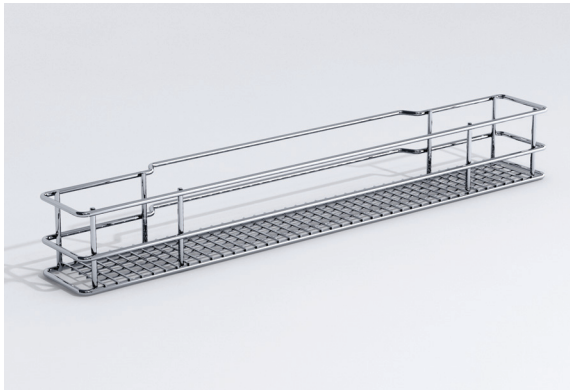
VAUTH-SAGEL

Drawer Slides

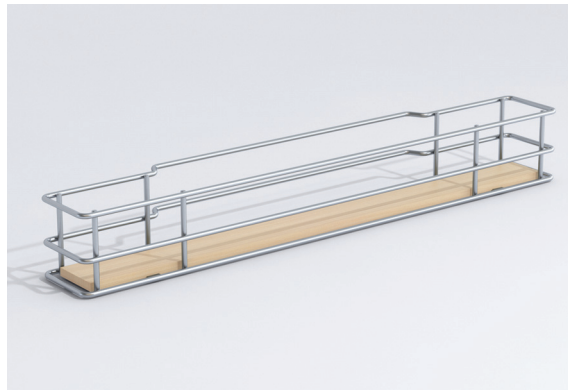
DSA pull-out baskets

Pulls and Knobs

Locks, Catches, Shelf Hardware



Saphir basket for min. cabinet opening width of 4-1/2" (112 mm)



Scalea basket for min. cabinet opening width of 4-1/2" (112 mm)

Lights

Closet and Furniture Hardware

Grommets



Saphir basket for min. cabinet opening width 10-1/4" (257 mm)

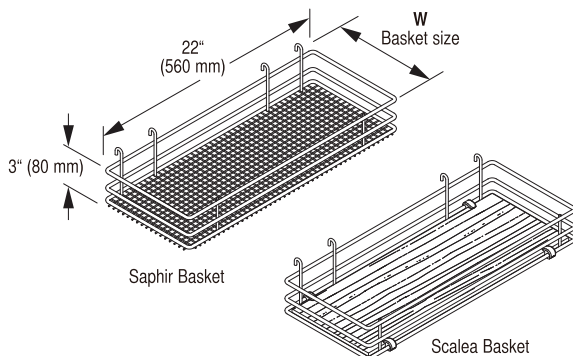


Scalea basket for min. cabinet opening width 10-1/4" (257 mm)

Kitchen Accessories

Melamine

Shop Supplies



W	DSA Baskets incl. door front brackets Left/Right or non-handed		
Basket Size	Cabinet opening W	Saphir 2 per box	Scalea 2 per box
5" (125 mm)	6" (152 mm)	VS-9000 2571	VS-9000 2587
6-1/2" (165 mm)	7-1/2" (192 mm)	VS-9000 2573	VS-9000 2589
9" (230 mm)	10-1/2" (257 mm)	VS-9000 2575	VS-9000 2591
Holder Sets, incl. one 3-3/8" (85 mm) basket and door front brackets			
	Cabinet opening W	Saphir, chrome	
Towel holder left	4-1/2" (112 mm)	VS-9000 1996	
Towel holder right	4-1/2" (112 mm)	VS-9000 1997	
Baking tray holder	4-1/2" (112 mm)	VS-9000 1998	

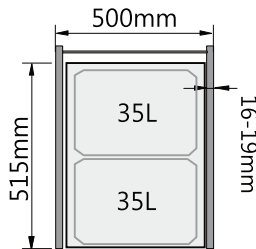
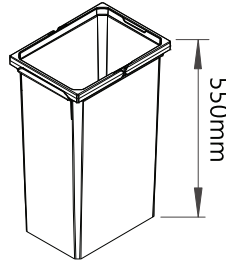
KITCHEN ACCESSORIES



VAUTH-SAGEL

Recycling Center

Oeko XX-Liner



- Cupboard width 500mm
- Installation height 580mm
- Waste bin 2 x 35 Litres
- Full drawer
- Fitting frontal panel

Oeko XX-Liner	
Item No.	Description
VS-9000 5908	Oeko-XX-Liner 17 ³ / ₄ " 2 bins 74 qt. bin
Oeko Center	
Item No.	Description
VS-9000 3713	Oeko Center1 - 1 x 20 qt. tota
VS-9000 3716	Oeko Center4 - 3 x 10 qt. and 1 x 13 qt. bins

Oeko Center



Hinges

Drawer Slides

Pulls and Knobs

Locks, Catches, Shelf Hardware

Lights

Closet and Furniture Hardware

ORDER NUMBER	DESCRIPTION
46-200	FULL EXTENSION WASTEBASKET 20"DX20"HX10 1/4W
46-202	SMALL BIN FOR 46-200 9.5"WX9.5"DX18"H
46-204	LARGE WHITE BIN 37 QT 19"WX9.5"DX18"H
46-206	LARGE WASTEBASKET 20"HX20"DX22"W
46-208	GREEN SMALL BIN
46-210	LARGE GREEN BIN

* Note: Waste Basket Frame and Bins Sold Separately *

SMALL

- Minimum interior cabinet dimensions: 10 1/2" (width), 20" (depth and height)
- 260mm (width), 510 mm (depth and height)
- Fully retractable metal ball bearing slides
- For use with either 2 small Recycling Bins or 1 Large Recycling Bin
- Can be mounted to cabinet door for Pull-out door cabinet models, or affixed to cabinet bottom for manual retraction with cabinet doors that swing open.
- Chrome finish
- Installation screws included

LARGE

- Minimum interior cabinet dimensions: 22" (width), 20" (depth and height)
- 560mm (width), 510mm (depth and height)
- Fully retractable metal ball bearing slides
- For use with 2 large bins, 4 small bins or 1 large and 2 small
- Can be mounted to cabinet door for Pull-out door cabinet models, or affixed to cabinet bottom for manual retraction with cabinet doors that swing open.
- Chrome finish
- Installation screws included

Armotec



Grommets

Kitchen Accessories

Melamine

Shop Supplies

KITCHEN ACCESSORIES

Double Pullout Waste Container

Hinges The New Soft Close Double Trash Can Pull Out is available from Hardware Imagination-Tech. It features two trash cans with covers, soft close full extension slides and door mount hardware.

Drawer Slides With a LOAD capacity of 55 lbs.



Pulls and Knobs

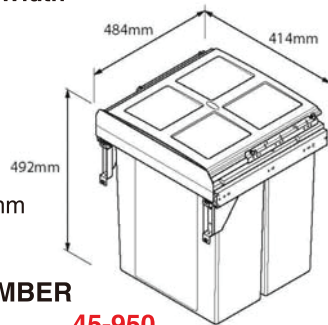
Double Trash Can Pull Out 2 X 31 Liter
18 Inch Cabinet Outside Width

- With Dust Cover
- Soft Close
- Door Mount

Capacity:
2 x 31L

- Suitable For 18"/450mm Wide Cabinet
- Door Mounted

ORDER NUMBER
18" Width.....45-950



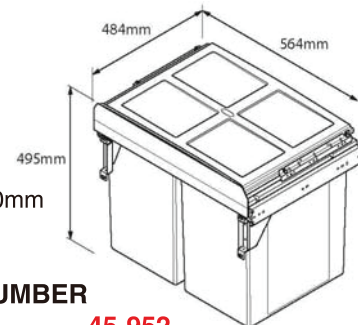
Double Trash Can Pull Out 2 X 45 Liter
24 Inch Cabinet Outside Width

- With Dust Cover
- Soft Close
- Door Mount

Capacity:
2 x 45L

- Suitable For 24"/600mm Wide Cabinet
- Door Mounted

ORDER NUMBER
24" Width.....45-952



Closet and Furniture Hardware



- 36 Qt. Heavy Duty Waste Basket
- Full Extension Ball Bearing Slides

- Heavy Duty Waste 36 Qt Container
- 21" Depth X 15" Wide x 19" High

ORDER NUMBER..... 45-956

Grommets

Kitchen Accessories

Single Pullout Waste Container

Melamine



- 36 Qt. Heavy Duty Waste Container
- 17-3/4" Depth X 10-1/2" Wide x 21-3/8" High
- Full Extension Ball Bearing Slides

ORDER NUMBER..... 45-954

Shop Supplies

KITCHEN ACCESSORIES



Sink Front Trays

ORDER NUMBER	DESCRIPTION
46-250	11" SINK FRONT TRAY KIT
46-254	14" SINK FRONT TRAY KIT
46-256	36" SINK FRONT TRAY KIT
46-258	72" WHITE TRIMMABLE SINK FRONT TRAY
46-260	72" MAPLE TRIMMABLE SINK FRONT TRAY
46-262	WHITE END CAP FOR 46-258 (Pair)
46-264	MAPLE END CAPS FOR 46-260 (Pair)
46-266	HINGES FOR 46-258 & 46-260

- Durable Polystyrene
- Kit Includes 2 Tipout Trays, 2 Sets Of Hinges And 2 Ring Hooks
- Installation Screws And Instruction Sheet Included



Hinges

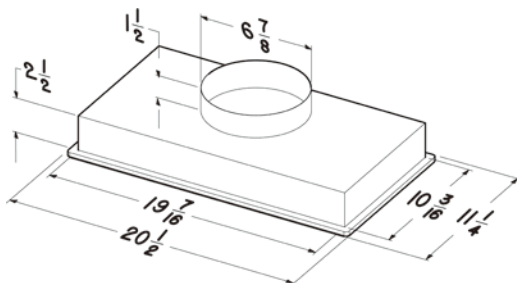
Drawer Slides

Pulls and Knobs

Locks, Catches, Shelf Hardware

Omega Hood Fan or Blower

Twin Squirrel Cage, 2 Speed Ventilator Fan with Light



Order Number:
45-996



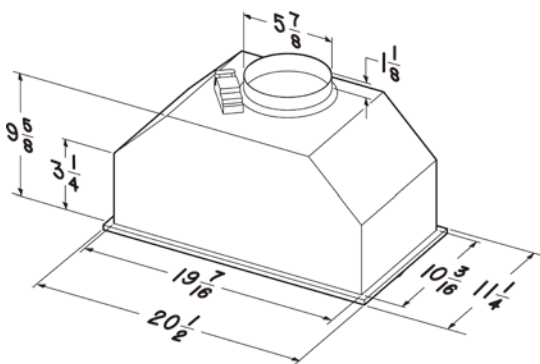
Lights

Closet and Furniture Hardware

Grommets

Kitchen Accessories

Twin Squirrel Cage, Variable Speed Blower with 2 level light



Order Number:
45-998



Melamine

Shop Supplies

KITCHEN ACCESSORIES

BASE and WALL CABINET FILLERS

Hinges

Drawer Slides

Pulls and Knobs

Locks, Catches, Shelf Hardware

Lights

Closet and Furniture Hardware

Grommets

Kitchen Accessories

Melamine

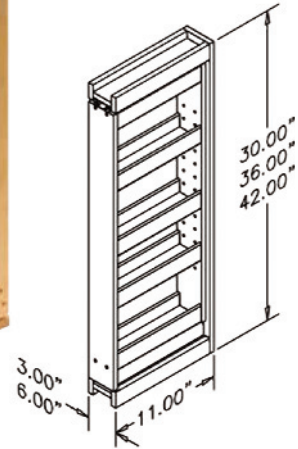
Shop Supplies



Wall Pantry Filler, Maple

- Available for 3" and 6" wide wall applications
- Simply install between adjacent cabinets to provide valuable storage space
- All KitchenMate fillers feature solid maple and plywood construction
- Features included 8405 slides, adjustable shelves and our unique Magnetic Push Catch.
- 30" height x 11" deep
- Front filler board and Column Concepts sold separately

No Decorative Hardware Needed!



Kitchen Mate Wall Pantry Filler

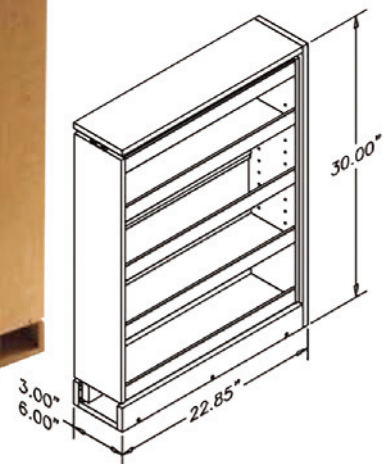
ORDER NUMBER	SIZE	DIMENSIONS
46-434	3" Wall Filler	3" wide x 30" tall
46-436	3" Wall Filler	3" wide x 42" tall
46-438	6" Wall Filler	6" wide x 30" tall
46-440	6" Wall Filler	6" wide x 42" tall



Base Pantry Filler, Maple

- Available for 3" or 6" wide base applications
- Simply install between adjacent cabinets to provide valuable storage space
- All Kitchen Mate filters feature solid maple and plywood construction
- Features included 8405 slides, adjustable shelves and our unique Magnetic Push Catch
- 30" high, 24" deep
- Front filler board and rosettes sold separately

No Decorative Hardware Needed!



Kitchen Mate Base Pantry Filler

ORDER NUMBER	SIZE	DIMENSIONS
46-430	3" Base Filler	3" wide x 30" tall
46-432	6" Base Filler	6" wide x 30" tall



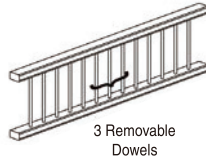
Omega National
PRODUCTS

KITCHEN ACCESSORIES

China Display Rack



Dowels can be removed for easy cleaning.



- Versatile design allows for trim capability for smaller size applications
- Kit consists of two top and two bottom predrilled rails with 32 vertical dowels, spaced on 2" centers.

Order Numbers

Unfinished Oak	51-480
Unfinished Maple	51-482
Unfinished Cherry	51-484

Hinges

Drawer Slides

Pulls and Knobs

Locks, Catches, Shelf Hardware

Conventional Corner Appliance Garage



Order Number	Species	A	B	C
51-404	Oak	18"	11-1/2"	16-3/4"
51-408	Maple	18"	11-1/2"	16-3/4"

Conventional Straight Appliance Garage



Order Number	Species	A	B	C
51-406	Oak	18"	11-3/4"	30"
51-410	Maple	18"	11-3/4"	30"

Lights

Closet and Furniture Hardware

Grommets

Kitchen Accessories

Melamine

Shop Supplies

KITCHEN ACCESSORIES

Wood Wine Rack

Hinges

Drawer Slides

Pulls and Knobs

Locks, Catches, Shelf Hardware

Lights



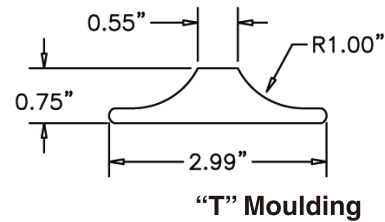
23" x 42"
Chamfered Edges
 Order Numbers

Unfinished Cherry... **51-398**
 Unfinished Oak **51-400**
 Unfinished Maple .. **51-402**

Closet and Furniture Hardware

Grommets

Wood Stemware Moulding



5' Lengths

Order Numbers

Unfinished Red Oak ... **51-530**
 Unfinished Maple **51-426**
 Unfinished Cherry **51-532**

Bottle Rack

Kitchen Accessories

Melamine

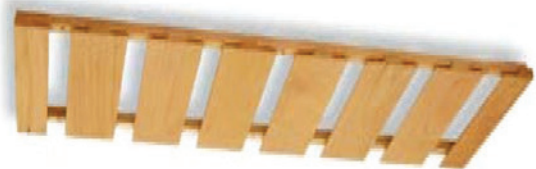
Shop Supplies



48" Lengths
 Order Numbers

Unfinished Cherry..... **51-434**
 Unfinished Maple..... **51-436**

Wood Stemware Rack



18" Wide x 12" Deep

Order Numbers

Unfinished Red Oak... **51-420**
 Unfinished Maple **51-422**
 Unfinished Cherry **51-423**

EDGEBOARDING



Natural Wood Veneers

Standard styles and sizes available - See chart below. This page shows many (but not all) styles by special order. Please see your salesperson for a complete Veneer catalog.

Pre-Finished Veneers

	4' X 8'	4' x 8'
COLOR	PSA	Duraback
Maple	33-822	33-826
Cherry	33-824	33-828

OTHER SPECIES BY SPECIAL ORDER

Veneers - ORDER NUMBERS

	4' X 8'	4' x 8'	4' x 8'	4' x 8'	4' x 10'
COLOR	10 Mil.	20 Mil.	2 Ply	3 Ply	3 Ply
			Wood/ Wood	Duraback	Duraback
Ash	33-102	-	-	-	-
White Birch	33-104	-	33-300	-	-
Mahogany	33-106	-	33-306	-	-
Red Oak	33-108	33-358	33-308	33-532	-
Cherry	33-424	33-348	33-304	33-534	33-540
Maple	33-426	33-346	33-310 / 33-310 PREMIUM	33-530	33-538
Teak	33-110	-	-	-	-
Walnut	33-112	-	-	-	-
White Oak	33-114	-	33-314	-	-
Anigre Med.	33-134	-	-	-	-
Knotty Pine	33-132	-	-	-	-
Hickory	33-136	-	-	-	-
Maple Whole Piece Face	-	-	33-312	33-528	-

Wood Edgebanding

Real Wood Edging – 500 ft. Rolls

SPECIES	AUTOMATIC	SIZE	PREGLUED	SIZE
Ash	33-168	7/8"	33-154	13/16"
Birch	33-170	7/8"	33-156	13/16"
Mahogany	33-172	7/8"	33-158	13/16"
Red Oak	33-174	7/8"	33-160	13/16"
Teak	33-176	7/8"	-	-
Walnut	33-178	7/8"	-	-
White Oak	33-180	7/8"	-	-
Cherry	33-182	7/8"	33-418	13/16"
Maple	33-444	7/8"	33-430	13/16"
White Birch	33-440	1-1/4"	-	-
Maple	33-462	2"	33-464	2"



Wood Pre-Finished Edging – 500 ft. Rolls

SPECIES	AUTOMATIC	SIZE	PREGLUED	SIZE
Maple	33-480	5/8"	-	-
Maple	33-482	7/8"	33-486	13/16"
Birch	33-488	7/8"	33-490	7/8"

Most of the merchandise in this catalog is available in all Hardware Imagination -Tech locations. If your selection isn't available at the store nearest you, we'll gladly order it from one of the other stores or through special order.

Hinges

Drawer Slides

Pulls and Knobs

Locks, Catches, Shelf Hardware

Lights

Closet and Furniture Hardware

Grommets

Kitchen Accessories

Melamine

Shop Supplies

VENEERS

High Pressure Laminate



	Order Number	Description
Hinges	W10734-60-48	WILSONART LIMBER MAPLE VT 4X8
	W10776-60-48	WILSONART KENSINGTON MAPLE VT 4X8
	W1572-60-48	WILSONART ANTIQUE WHITE VT 4X8
Drawer Slides	W1573-60-48	WILSONART FROSTY WHITE VT 4X8
	W1573K-01-48	WILSONART FROSTY WHITE GLOSS VT 4X8
	W1595-60-48	WILSONART BLACK VT 4X8
Pulls and Knobs	W3154-65-48	WILSONART ALASKAN WHITE .6MM 4X8
	W3173-65-48	WILSONART PEARL WHITE .6MM 4X8
	W7039-60-48	WILSONART WINDSOR MAHOGANY VT 4X8
Locks, Catches, Shelf Hardware	W7054-60-48	WILSONART WILD CHERRY VT 4X8
	W7061-60-48	WILSONART NATURAL PEAR VT 4X8
	W7816-60-48	WILSONART SOLAR OAK VT 4X8
Lights	W7909-60-48	WILSONART FUSION MAPLE VT 4X8
	W7911-60-48	WILSONART MANITOBA MAPLE VT 4X8
	W7922-60-48	WILSONART BRIGHTON CHERRY VT 4X8
Closet and Furniture Hardware	W7924-07-48	WILSONART BILTMORE CHERRY TEXT GLOSS VT 4X8
	W7929-38-48	WILSONART HUNTINGTON MAPLE VELVET VT 4X8
	W7933-07-48	WILSONART CAFELLE TEX GLOSS VT 4X8
Grommets	W7935-07-48	WILSONART SHARKER TEXT GLOSS VT 4X8
	W7949-18-48	WILSONART ASIAN NIGHT LINEARITY VT 4X8
	W7960-18-48	WILSONART STUDIO TEAK LINEARITY VT 4X8
Kitchen Accessories	W7964-12-48	WILSONART SKYLINE WALNUT SOFTGRAIN VT 4X8
	W7965-12-48	WILSONART WALNUT HEIGHTS SOFTGRAIN VT 4X8
	W7997-38-48	WILSONART EBONY RECON VT 4X8
Shop Supplies	W8201-12-48	WILSONART GREY ELM SOFTGRAIN VT 4X8
	WD30-60-48	WILSONART NATURAL ALMOND VT 4X8
	WD315-60-48	WILSONART PLATINUM VT 4X8
Kitchen Accessories	WD354-60-48	WILSONART DESIGNER WHITE VT 4X8
	WD381-60-48	WILSONART FASHION GREY VT 4X8
	WD92-60-48	WILSONART DOVE GREY VT 4X8
Kitchen Accessories	63-996W	WILSONART WA951 CONTACT CEMENT 5G
	63-668W	WILSONART WA951 CONTACT CEMENT 55G
	63-990	LOCKWELD CONTACT CEMENT 5G [MADE IN USA]
Kitchen Accessories	63-992	LOCKWELD CONTACT CEMENT 55G [MADE IN USA]



Melamine

Hotmelt Glue

Order Number	Color	Type	Quantity
33-250	Natural	Pellet Glue	44 Lb. Bag
33-252	Natural	Pellet Glue	44 Lb. Bag
33-253	White	Pellet Glue	44 Lb. Bag
33-254	Black	Pellet Glue	44 Lb. Bag
33-255	Transparent	Pellet Glue	44 Lb. Bag
33-256	Natural	Cartridge Glue	Case / 48
33-257	White	Cartridge Glue	Case / 48
33-258	Black	Cartridge Glue	Case / 48



EDGEBOARDING



alto **7** texture

MELAMINE, HPL, PVC

Color	5/8"X4X8	3/4"X4X8	3/4"X5X8	1/4"X4X8	HPL	PVC
L191 WHITE	83-112	83-104	83-108	83-362		34-501
L258 ALMOND	83-116	83-118				34-508
L203 BLACK	83-136	83-132	83-134	83-378		34-500
L204 IVORY		83-152	83-154	83-360		34-504
L202 SUMMER DROPS	83-126	83-127	83-130	83-378		34-505
L303 HARDROCK MAPLE	83-176	83-172	83-174	82-362	CREA-303SN	34-512
L421 CANDLELIGHT		83-215		TAF-3968	TAF-T421CR-59	34-520
L420 SUMMERFLAME		83-212	83-213	83-364	TAF-T420CR-59	34-516
L449 CHERRY BLOSSOM		83-269		83-370	CREA-449SN	34-532
L521 RUSTIC CHERRY		83-306		83-374	CREA-521SN	34-556
L666 VERY CHIC		83-318		83-350	CREA-666SN	34-570
L444 CHOCOLATE PEARTREE		83-244	83-245	83-368	TAF-T444CR-59	34-530

Hinges

Drawer Slides

Pulls and Knobs

Locks, Catches, Shelf Hardware



L191 WHITE



L258 ALMOND



L203 BLACK



L204 IVORY

Lights

Closet and Furniture Hardware



L202 SUMMER DROPS



L303 HARDROCK MAPLE



L421 CANDLELIGHT



L420 SUMMERFLAME

Grommets

Kitchen Accessories



L449 CHERRY BLOSSOM



L521 RUSTIC CHERRY



L666 VERY CHIC



L444 CHOCOLATE PEARTREE

Melamine

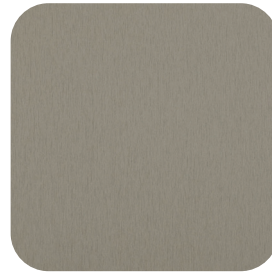
Shop Supplies

EDGE BANDING

MELAMINE, HPL, PVC

	Color	3/4"X4X8	3/4"X5X8	1/4"X4X8	HPL	PVC
Hinges	L472 SHIRAZ CHERRY		83-302			34-552
	L478 RUBY PLANKED MAPLE		83-315			
Drawer Slides	L473 DARK RUM CHERRY		83-304			
	L474 BRUSHED ALUMINUM		83.L474.34.58			34-574
	L807 BURNITO CHERRY		83-320			
Pulls and Knobs	L492 WHITE CHOCOLATE	83.L492.34.48		83.L492/L493.14	TAF-T492UR-59	34-502
	L493 MILK CHOCOLATE	83.L493.34.48		83.L492/L493.14	TAF-T493UR-59	34-514
	L494 DARK CHOCOLATE	83.L494.34.48		83.L494/L496.14	CREA-494URB	34-524
	L495 PORTOBELLA	83.L495.34.48		83.L495/L191.14		34-526
	L496 MONACO	83.L496.34.48		83.L494/L496.14		34-528
Locks, Catches, Shelf Hardware	L530 LATITUDE NORTH	83.L530.34.48		83.L530/L531.14	TAF-T530AT-59	34-580
	L531 LATITUDE SOUTH	83.L531.34.48		83.L530/L531.14	CREA-531AT	34-581

Lights



L472 SHIRAZ CHERRY

L478 RUBY PLANKED MAPLE

L473 DARK RUM CHERRY

L474 BRUSHED ALUMINUM

Closet and Furniture Hardware

Grommets



L807 BURNITO CHERRY

L492 WHITE CHOCOLATE

L493 MILK CHOCOLATE

L494 DARK CHOCOLATE

Kitchen Accessories

Melamine



L495 PORTOBELLA

L496 MONACO

L530 LATITUDE NORTH

Shop Supplies



EDGE BANDING

MELAMINE, HPL, PVC

Color	3/4"X4X8	3/4"X5X8	3/4"X5X9	1/4"X4X8	HPL	PVC
L533LATITUDEEAST	83.L533.34.48				TAF-T533AT-59	34-576
L540SUMMERBREEZE	83.L540.34.48	83.L540.34.58		83.L540/L541.14	TAF-T540AT-59	34-582
L541WINTERCHERRY	83.L541.34.48			83.L540/L541.14	TAF-T541AT-59	34-583
L542AUTUMNLEAVES	83.L542.34.48			83.L542/L550.14	CREA-542AT-5X8	34-584
L543SPRINGBLOSSOM		83.L543.34.58				
L550BEACHWOOD	83.L550.34.48			83.L542/L550.14	TAF-T550AT-59	34-585
M2001TETE-A-TETE	83.M2001.34.48		83.M2001.34.59	83.M2001.14.48	TAF-T2001-59	34-620
M2002SUNSETCRUISE	83.M2002.34.48		83.M2002.34.59	83.M2002.14.48	TAF-T2002-59	34-622
M2003WEEKENDGETAWAY	83.M2003.34.48		83.M2003.34.59	83.M2003.14.48	TAF-T2003-59	34-624
M2004WINTERFUN	83.M2004.34.48		83.M2004.34.59	83.M2004.14.48	TAF-T2004-59	34-626
M2005SUNDAYBRUNCH	83.M2005.34.48		83.M2005.34.59	83.M2005.14.48	TAF-T2005-59	34-628

Hinges

Drawer Slides

Pulls and Knobs

Locks, Catches, Shelf Hardware



L533 LATITUDE EAST



L540 SUMMER BREEZE



L541 WINTER CHERRY



L542 AUTUMN LEAVES

Lights

Closet and Furniture Hardware



L543 SPRING BLOSSOM



L550 BEACHWOOD



M2001 TETE-A-TETE



M2002 SUNSET CRUISE

Grommets

Kitchen Accessories



M2003 WEEKEND GETAWAY



M2004 WINTER FUN



M2005 SUNDAY BRUNCH

Melamine



Shop Supplies

EDGEBOARDING

MELAMINE, HPL, PVC

Hinges

	Color	3/4"X4X8	3/4"X5X9	1/4"X4X8	HPL	PVC
	M2006 TEA FOR TWO	83.M2006.34.48	83.M2006.34.59	83.M2006.14.48	TAF-T2006-59	34-630
Drawer Slides	M2007 CASTING @ FIRST LIGHT	83.M2007.34.48	83.M2007.34.59	83.M2007.14.48	TAF-T2007-59	34-632
	M2010 AFTER HOURS	83.M2010.34.48	83.M2010.34.59	83.M2010.14.48	TAF-T2010-59	34-634
	M2011 STARGAZER	83.M2011.34.48	83.M2011.34.59	83.M2011.14.48	TAF-T2011-59	34-636
	M2013 SUMMERTIME BLUES	83.M2013.34.48			TAF-T2013-59	34-640
Pulls and Knobs	M2014 SUGAR ON ICE	83.M2014.34.48			TAF-T2014-59	34-642
	M2015 APRES SKI	83.M2015.34.48	83.M2015.34.59	83.M2015.14.48	TAF-T2015-59	34-638
	M2033 SIMPLY GALANT	83.M2033.34.48				34-646
	M2034 HOME SWEET HOME	83.M2034.34.48				34-650
Locks, Catches, Shelf Hardware	M2054 SUNDAY STROLL	83.M2054.34.48				34-648
	M2056 NIGHT OWL	83.M2056.34.48				34-644

Lights



M2006 TEA FOR TWO



M2007 CASTING @ FIRST LIGHT



M2010 AFTER HOURS



M2011 STARGAZER

Closet and Furniture Hardware

Grommets



M2013 SUMMERTIME BLUES



M2014 SUGAR ON ICE



M2015 APRES SKI



M2033 SIMPLY GALANT

Kitchen Accessories

Melamine



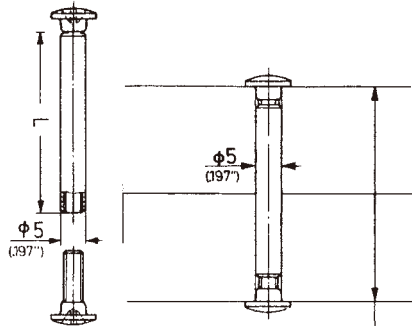
M2034 HOME SWEET HOME

Shop Supplies



FITTINGS, SCREWS, BOLTS, ETC.

5mm Connecting Screws

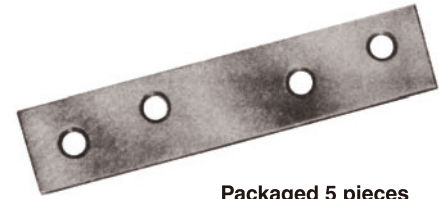


ORDER NUMBERS
 For 5/8" to 5/8" **19-168**
 For 3/4" to 3/4" **19-170**

Packaged 5 pieces
 Finish: Bright Nickel

3" Mending Plate

Order number **19-116**

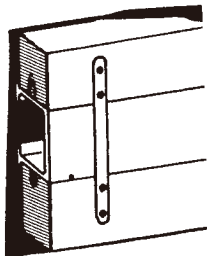


Packaged 5 pieces
 Finish: Zinc Plated

Hinges

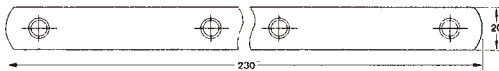
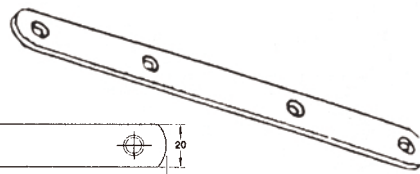
Drawer Slides

Connecting Bracket



For connecting two doors together to create a tall door, a door to a false drawer front or any other application where a strong reliable connection is needed.

Order number **19-118**



Zinc Plated Metal Corner Brace

ORDER NUMBERS

1-1/2" x 1-1/2" **19-120**
 2-1/2" x 2-1/2" **19-122**



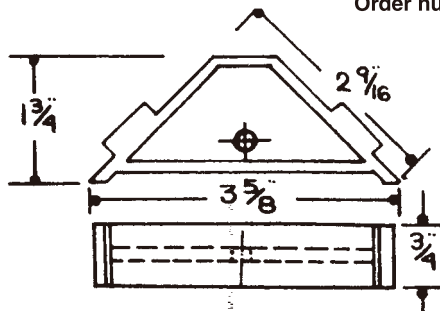
Pulls and Knobs

Locks, Catches, Shelf Hardware

Lights

White Plastic Corner Brace

Order number **19-124**



Nail Glides

Packaging: 100 - 500 - 100
 Size: 5/16" thick
 Finish: White



ORDER NUMBERS

5/8" guide **23-104**
 3/4" guide **23-102**

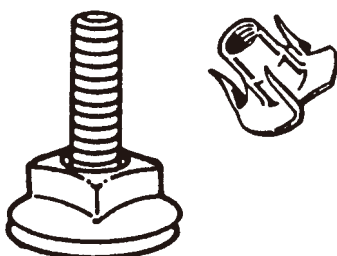
Closet and Furniture Hardware

Grommets

Kitchen Accessories

Leveler

Exposed thread: 1"
 Base diameter: 1-1/16"
 Material: Clear Butyrate



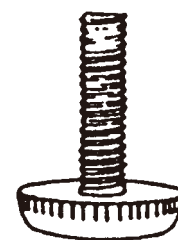
ORDER NUMBERS

1/4" Leveler **23-106**
 1/4" "T" Nut **23-110**
 5/16" Leveler **23-108**
 5/16" "T" Nut **23-112**

1/4" Econo Leveler

Order number **23-168**

Tan - 5/8" diameter



Melamine

Shop Supplies

FITTINGS, SCREWS, BOLTS, ETC.

Screws

M.S. = Machine Screws
S.M.S. = Sheet Metal Screws
P.H. = Pan Head

O.H. = Oval Head
T.H. = Truss Head
F.H. = Flat Head

W.H. = Washer Head

	NUMBER	DESCRIPTION	FINISH	UNIT	USE	
Hinges	19-600	8-32 x 1/2"	Combo Head M.S.	Zinc	C	Pulls & Knobs
	19-602	8-32 x 7/8"	Combo Head M.S.	Zinc	C	Pulls & Knobs
	19-604	8-32 x 1"	Combo Head M.S.	Zinc	C	Pulls & Knobs
Drawer Slides	19-606	8-32 x 1-3/8"	Combo Head M.S.	Zinc	C	Pulls & Knobs
	19-608	8-32 x 1-1/2"	Combo Head M.S.	Zinc	C	Pulls & Knobs
	19-592	8-32 x 1-5/8"	Combo Head M.S.	Zinc	C	Pulls & Knobs
	19-609	8-32 x 1-3/4"	Combo Head M.S.	Zinc	C	Pulls & Knobs
Pulls and Knobs	19-610	M4 x 12mm	Metric M.S.	Zinc	C	Metric Pulls & Knobs
	19-612	M4 x 22mm	Metric M.S.	Zinc	C	Metric Pulls & Knobs
	19-614	M4 x 25mm	Metric M.S.	Zinc	C	Metric Pulls & Knobs
	19-616	M4 x 35mm	Metric M.S.	Zinc	C	Metric Pulls & Knobs
Locks, Catches, Shelf Hardware	19-618	M4 x 40mm	Metric M.S.	Zinc	C	Metric Pulls & Knobs
Lights	19-620	5 x 5/8"	O.H. Phil S.M.S.	Nickel	C	Chrome Slab Hinge
	19-622	8 x 3/4"	O.H. Phil S.M.S.	Nickel	C	Miscellaneous
	19-624	5 x 5/8"	O.H. Phil S.M.S.	Antique Brass	C	Antique Brass Slab Hinge
Closet and Furniture Hardware	19-664	6 x 1/2"	F.H. Phil S.M.S.	Nickel	C	Euro Slides
	19-666	6 x 5/8"	F.H. Phil S.M.S.	Nickel	C	Euro Hinges & Mt. Plates
	19-662	4 x 5/8"	F.H. Phil S.M.S.	Stainless Steel	C	Stainless Steel Piano Hinge
	19-670	6 x 5/8"	F.H. Phil S.M.S.	Stainless Steel	C	Stainless Steel Piano Hinge
	19-628	4 x 1/2"	F.H. Phil S.M.S.	Nickel	C	Piano Hinges
	19-630	5 x 1/2"	F.H. Phil S.M.S.	Antique Brass	C	Antique Brass Slab Hinge
Grommets	19-634	6 x 5/8"	F.H. Phil S.M.S.	Brt. Brass	C	Miscellaneous
	19-636	6 x 5/8"	F.H. Phil S.M.S.	Black	C	Miscellaneous
	19-638	6 x 1-1/4"	F.H. Phil S.M.S.	Nickel	C	Miscellaneous
	19-640	4 x 1/2"	F.H. Phil S.M.S.	Brt. Brass	C	Piano Hinges
Kitchen Accessories	19-642	5 x 1/2"	F.H. Phil S.M.S.	Nickel	C	Piano Hinges
Melamine	19-644	4 x 5/8"	P.H. S.M.S.	Nickel	C	Catches
	19-646	6 x 7/16"	T.H. S.M.S.	Nickel	C	Drawer Slides
	19-648	6 x 5/8"	P.H. S.M.S.	Nickel	C	Miscellaneous
	19-650	6 x 5/8"	T.H. S.M.S.	Black	C	Lights
	19-652	6 x 5/8"	T.H. S.M.S.	Brt. Nickel	C	Lights
	19-654	6 x 5/8"	T.H. S.M.S.	Brt. Brass	C	Lights
Shop Supplies	19-668	8 x 1"	P.H. S.M.S.	Nickel	C	ACC150 Edge Plates
Melamine	19-870	8 x 1"	W.H. Self Tapping	Zinc	C	Nylon Pulls & Knobs
	19-872	8 x 1-1/4"	W.H. Self Tapping	Zinc	C	Nylon Pulls & Knobs
	19-874	8 x 1-1/2"	W.H. Self Tapping	Zinc	C	Nylon Pulls & Knobs
	19-876	8 x 1-3/4"	W.H. Self Tapping	Zinc	C	Nylon Pulls & Knobs

FITTINGS, SCREWS, BOLTS, ETC.

Screws Sq. Head Combo

NUMBER	DESCRIPTION		FINISH	UNIT	NUMBER	DESCRIPTION		FINISH	UNIT
18-820	8 x 1"	Rnd Washer Type 17	Zinc	10M	18-838	8 x 1"	Flat Head Type 17 Ni8	Zinc	11M
18-821	8 x 1"	Rnd Washer Type 17	Zinc	C	18-839	8 x 1"	Flat Head Type 17 Ni8	Zinc	C
18-822	8 x 1-1/4"	Rnd Washer Type 17	Zinc	6M	18-840	8 x 1-1/4"	Flat Head Type 17 Ni8	Zinc	8M
18-823	8 x 1-1/4"	Rnd Washer Type 17	Zinc	C	18-841	8 x 1-1/4"	Flat Head Type 17 Ni8	Zinc	C
18-824	8 x 1-1/2"	Rnd Washer Type 17	Zinc	7M	18-842	8 x 1-1/2"	Flat Head Type 17 Ni8	Zinc	6M
18-825	8 x 1-1/2"	Rnd Washer Type 17	Zinc	C	18-843	8 x 1-1/2"	Flat Head Type 17 Ni8	Zinc	C
18-826	8 x 1-3/4"	Rnd Washer Type 17	Zinc	5M	18-844	8 x 1-3/4"	Flat Head Type 17 Ni8	Zinc	5M
18-827	8 x 1-3/4"	Rnd Washer Type 17	Zinc	C	18-845	8 x 1-3/4"	Flat Head Type 17 Ni8	Zinc	C
18-828	8 x 2"	Rnd Washer Type 17	Zinc	4M	18-846	8 x 2"	Flat Head Type 17 Ni8	Zinc	4M
18-829	8 x 2"	Rnd Washer Type 17	Zinc	C	18-847	8 x 2"	Flat Head Type 17 Ni8	Zinc	C
18-830	8 x 2-1/4"	Rnd Washer Type 17	Zinc	3M	18-848	8 x 2-1/4"	Flat Head Type 17 Ni8	Zinc	3M
18-831	8 x 2-1/4"	Rnd Washer Type 17	Zinc	C	18-849	8 x 2-1/4"	Flat Head Type 17 Ni8	Zinc	C
18-832	8 x 2-1/2"	Rnd Washer Type 17	Zinc	2.5M	18-850	8 x 2-1/2"	Flat Head Type 17 Ni8	Zinc	2.5M
18-833	8 x 2-1/2"	Rnd Washer Type 17	Zinc	C	18-851	8 x 2-1/2"	Flat Head Type 17 Ni8	Zinc	C
18-834	8 x 3"	Rnd Washer Type 17	Zinc	2M	18-852	8 x 3"	Flat Head Type 17 Ni8	Zinc	2M
18-835	8 x 3"	Rnd Washer Type 17	Zinc	C	18-853	8 x 3"	Flat Head Type 17 Ni8	Zinc	C

Hinges

Drawer Slides

Pulls and Knobs

Locks, Catches, Shelf Hardware

PART #	DESCRIPTION
18-821J	8X1 RWH SCREW TP17/SQ DR ZINC [1000]
18-823J	8 X 1-1/4 RWH SCREW TP 17/SQ DR ZINC [1000]
18-825J	8 X 1-1/2 RWH SCREW TP 17/SQ DR ZINC [1000]
18-827J	8x1-3/4 RWH SCREW TP 17/SQ DR ZINC [1000]
18-829J	8 X 2 RWH SCREW TP 17/SQ DR ZINC [1000]
18-831J	8 X 2-1/4 RWH SCREW TP 17/SQ DR ZINC [1000]
18-833J	8 X 2-1/2 RWH SCREW TP 17/SQ DR ZINC [1000]
18-835J	8 X 3 RWH SCREW TP 17/SQ DR ZINC [1000]
18-839J	8 X 1 FLAT HEAD TP 17/W NIBS SQ DR ZINC [1000]
18-841J	8 X 1-1/4 FLAT HEAD TP 17/W NIBS SQ DR ZINC [1000]
18-843J	8 X 1-1/2 FLAT HEAD TP 17/W NIBS SQ DR ZINC [1000]
18-845J	8 X 1-3/4 FLAT HEAD TP 17/W NIBS SQ DR ZINC [1000]
18-847J	8 X 2 FLAT HEAD TP 17/W NIBS SQ DR ZINC [1000]
18-849J	8 X 2-1/4 FLAT HEAD TP 17/W NIBS SQ DR ZINC [1000]
18-851J	8 X 2-1/2 FLAT HEAD TP 17/W NIBS SQ DR ZINC [1000]
18-853J	8 X 3 FLAT HEAD TP 17/W NIBS SQ DR ZINC [1000]
19-646J	6 X 1/2 PAN HEAD PHILLIPS ZINC [1000]
19-666J	6 X 5/8 FLAT HEAD PHILLIPS DEEP THREAD ZINC [1000]

JAR Screws



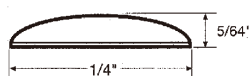
Lights

Closet and Furniture Hardware

Grommets

Kitchen Accessories

Melamine



BUMPER
5515

21-254

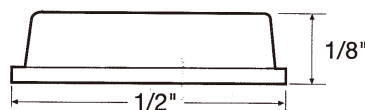
1/8" BUMPERS

50 PCS/CARD

21-250

1/16" BUMPERS

450 PCS/CARD



BUMPER
5505

Bumpers

- Self-Sticking
- Virtually Invisible
- Exclusive See-Thru Acrylic Adhesive
- Attach Quickly And Easily

Shop Supplies

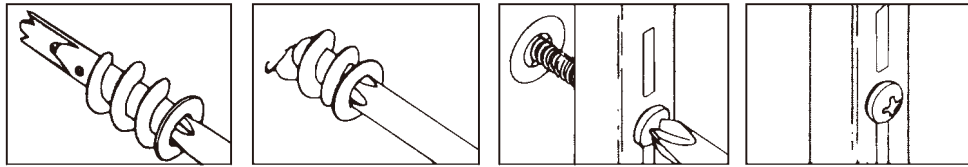
FITTINGS, SCREWS, BOLTS, ETC.

E-Z Anchor

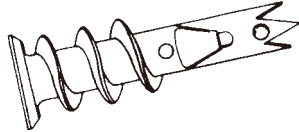
E-Z Anchor

Hinges

SELF-DRILLING, ONE-PIECE ANCHOR FOR MOUNTING TO GYPSUM WALLBOARD



Drawer Slides



1. Place #2 Phillips screwdriver into recess of E-Z Anchor.

2. Press into Gypsum wallboard while turning the anchor clockwise until it is seated flush with the wall.

3. Place fixture over E-Z Anchor and insert screw with #2 Phillips screwdriver (#8 type A or AB screw is recommended).

4. Tighten fixture in place ...screw self-threads into anchor (1" min. thread engagement is recommended). Do not overtighten.

Pulls and Knobs

Order number **19-150** → Not recommended for ceiling applications.

Locks, Catches, Shelf Hardware

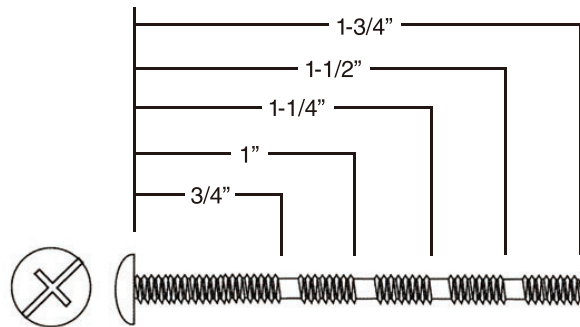
ZINC FINISH COARSE THREAD



With "Break Away" you always have the right size screw on the job.

Lights

	BAGGED PER HUNDRED	CASE	PIECES	SIZE
	ORDER NO.	ORDER NO.	PER CASE	
Closet and Furniture Hardware	19-776	19-720	10,000	6 x 1"
	19-778	19-722	10,000	6 x 1-1/8"
	19-780	19-724	8,000	6 x 1-1/4"
	19-782	19-726	5,000	6 x 1-5/8"
Grommets	19-784	19-728	3,500	6 x 2"
	19-786	19-730	3,000	8 x 2-1/4"
	19-788	19-732	2,500	6 x 2-1/2"
Kitchen Accessories	19-790	19-734	2,000	6 x 3"



ORDER NUMBERS

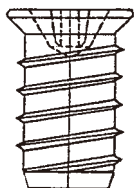
8/32" x 1-3/4" **19-914**

M4 x 1-3/4" **19-916**

Packaged 100

Kitchen Accessories

Euro Screw



Melamine

Order number.....**25-310**

• For European drawer slides •
Special head design for flush fit.

Washers

Nickel Finish

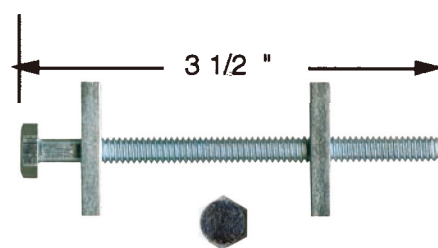


ORDER NUMBER

For #8 Screws
19-148

Packaged 100 or 500 pieces

Tite Joint Draw Bolt

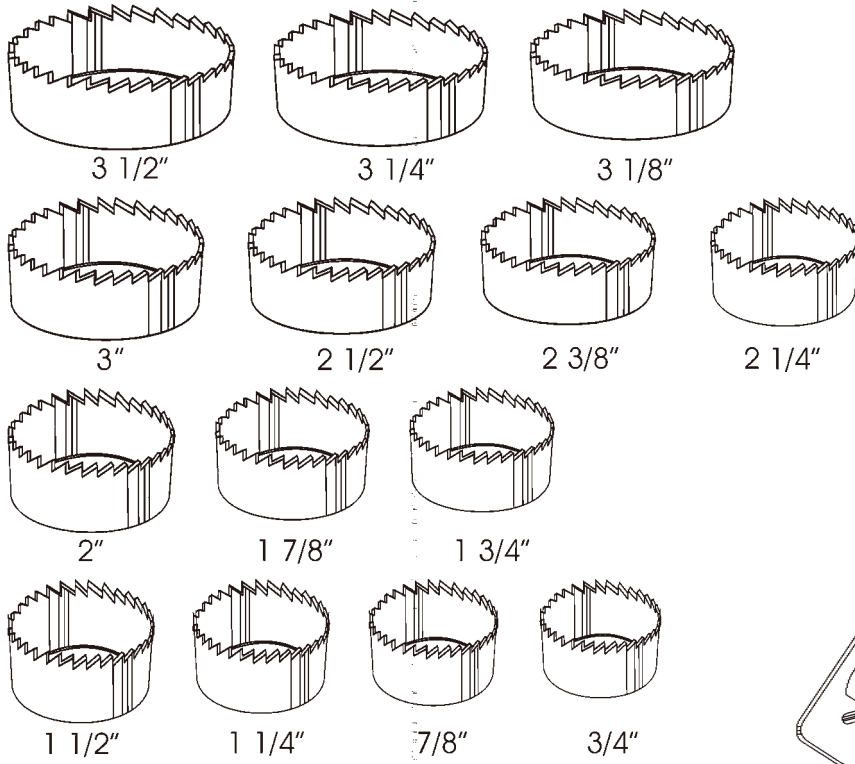


Order number**19-184**

Packaged 5
or 500 pieces

Tools

13 PIECE ECONO HOLE CUTTER KIT

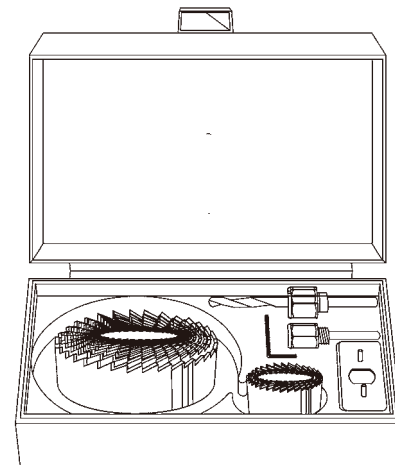
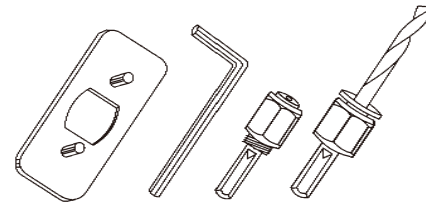


Kit Includes

- 13 Hole Cutters
3/4" - 3 1/2"
- 2 Mandrels
- 1 Adapter Plate
- 1 Allen Wrench
- 1 Carrying Case

ORDER NUMBER

47-882



Hinges

Drawer Slides

Pulls and Knobs

Locks, Catches, Shelf Hardware

Lights

Closet and Furniture Hardware

Grommets

Kitchen Accessories

Melamine

Shop Supplies

Tools

BOSCH JIG SAW BLADES

Jig Saw Blades – 5 piece card order numbers

	ORDER NUMBER	LENGTH	TEETH PER INCH	BOSCH NUMBER	RECOMMENDED APPLICATIONS			SHANK STYLE
					WOOD	METAL	OTHER	
Hinges	47-722	3-1/8"	14	U1BR	Reverse Cut	No	Plastic Laminates	
	47-728	4"	10	U101BF	Clean Cut	No	Particle & Fiber Board	
Drawer Slides	47-700*	4"	10	T101B	Very Clean Cut	No	No	
	47-702	4"	6	T101D	Fast Clean Cut	No	No	
	47-716	3"	12	T119BO	Scroll Cut	No	No	
	47-704	4"	6	T144D	Fast Rough Cut	No	No	
Pulls and Knobs	47-706	4"	6	T244D	Curve Cutting	No	No	
	47-712	4"	10	T101BR	Down Cutting	No	Plastics & Laminates	
	47-708	4"	8	T127D	No	< 1/4" Mild Steel	No	
	47-714	3"	24	T118A	No	< 1/8" Mild Steel	Plastic & Linoleum	

< means 'Less Than'

SHANK STYLE



Fits Bosch Models:
1581, 1581VS, 1581DVS,
1582, 1582VS, 1582DVS,
JS50, 7561 111, 1577, 1578,
1580, 1580VS, 1922K

* Bosch Number T101B
Also available in
100 pc BULK PACK

ORDER NUMBER
47-430

SHANK STYLE



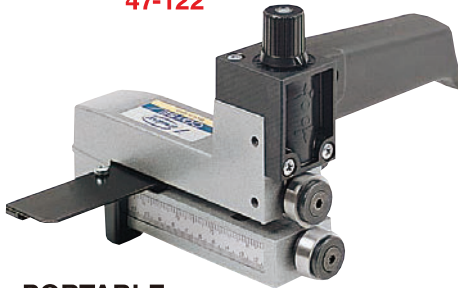
Fits Bosch Models: 3230,
3230VS, and 3238VS
plus all jig saws using
Universal Shank Blades

Closet and Furniture Hardware

LAMINATE SLITTER

Portable Hand Slitter
ORDER NUMBER

47-122



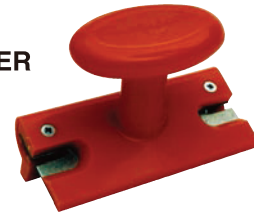
**PORTABLE,
LIGHT WEIGHT
HAND SLITTER
IS IDEAL FOR SHOP
OR USE ON THE
INSTALLATION
SITE. REQUIRES NO
ELECTRICITY**

Replacement Cutter Wheels
ORDER NUMBER
47-182

EDGE TRIMMER

Edge Trimmer
ORDER NUMBER

33-896



Designed for quick and easy
trimming of PVC veneers, etc.

Replacement Blade.....**33-894**

Grommets

Kitchen Accessories

DOUBLE EDGE VENEER TRIMMER

Double Edge Trimmer
ORDER NUMBER

47-118



Cuts both sides simultaneously.
For edges up to 22mm (7/8") width.
Top quality, long life double blades
that are easy to replace.

Replacement Blades.....**47-180**

Melamine

Shop Supplies

Tools

AMANA SAW BLADES

PRECISION TRIM



DIAMETER
10"
TEETH
60
ARBOR
5/8"

For exceptionally smooth end trimming and crosscutting in all types of natural wood and plywood

ORDER NUMBER.....47-222

PLASTIC & TRIM



DIAMETER
10"
TEETH
60
ARBOR
5/8"

General trimming and crosscutting natural woods, plywood, composition material and single or double-sided plastic laminated material

ORDER NUMBER.....47-224

LAMINATE & VENEER



DIAMETER
10"
TEETH
80
ARBOR
5/8"

Trimming and crosscutting single or double-sided veneered and plastic laminated panels

ORDER NUMBER.....47-226

Hinges

Drawer Slides

Pulls and Knobs

Locks, Catches, Shelf Hardware

Lights

Closet and Furniture Hardware

Grommets

Kitchen Accessories

Melamine

Shop Supplies



THE BLADE THAT DOES IT ALL!
EXTRA HEAVY PLATE

Tool No.	Dia.	Teeth	Bore	Grind	Hook Angle
PR1040	10"	40	5/8	ATB	18°

Application:
Ripping and crosscutting in all woods and veneered plywood.



TRIM BLADES
LEAVES A SUPER-SMOOTH FINISH

Tool No.	Dia.	Teeth	Bore	Grind	Hook Angle
610800	10"	80	5/8	ATB	10°

Application:
Ripping and crosscutting in all woods and veneered plywood.



DOUBLE-SIDED MELAMINE BLADES
CHIP-FREE CUTS ON BOTH SIDES

Tool No.	Dia.	Teeth	Bore	Grind	Hook Angle
MD10800	10"	80	5/8	H-ATB	-6°
MD12960	12"	96	1	H-ATB	-6°

Application:
Ripping and crosscutting in double-sided melamine.



SOLID SURFACE BLADES
FOR FRAGILE SURFACE LAYERS, LIKE VENEERS & LAMINATES

Tool No.	Dia.	Teeth	Bore	Grind	Hook Angle
610721	10"	72	5/8	MTC	0°
612841	12"	84	1	MTC	0°

Application:
Ripping and crosscutting in solid surface and laminates.



COMBINATION BLADE
DEEP CUTS WITH IMPROVED CHIP EJECTION

Tool No.	Dia.	Teeth	Bore	Grind	Hook Angle
610504	10"	50	5/8	4&1 ATB	15°

Application:
Ripping and crosscutting in all woods and veneered plywood.



NON-FERROUS METAL BLADES
THIN-WALLED

Tool No.	Dia.	Teeth	Bore	Grind	Hook Angle
510801	10"	80	5/8	TCG	6°
512961	12"	96	1	TCG	6°

Application:
Cutting thin-walled aluminum and non-ferrous extrusions and frames.



CUT-OFF & CROSSCUT BLADES
GOOD CHOICE FOR HEAVY PRODUCTION IN CABINET MAKING SHOPS

Tool No.	Dia.	Teeth	Bore	Grind	Hook Angle
610600	10"	60	5/8	ATB	10°
612720	12"	72	1	ATB	10°

Application:
Cut-off and crosscut in woods, plywood and chipboard.



E-Z DIAL™ ADJUSTABLE SCORING SET & SLIDING TABLE SAW BLADES
FITS ALIENDORF, SCM, CASOLIN ASTRA TOP, CASADEI SHARK & LAZZARI

Tool No.	Dia.	Teeth	Bore
EZ120-24-22	120mm	12x2	22mm, 3/4" & 15mm

Chamfered dial for SCM machine.
BEZ-015 from 22 to 15mm.

Tool No.	Dia.	Teeth	Bore	Grind	Hook Angle
DT12721	12"	72	1	TCG	10°
DT12721-30	12"	72	30mm	TCG	10°
DT14841	14"	84	1	TCG	10°
DT14841-30	14"	84	30mm	TCG	10°





Hinges

Drawer Slides

GENERAL PURPOSE CUT-OFF BLADES

SMOOTH, CLEAN CHIP-FREE CUTS ON BOTH SIDES OF MATERIAL

Tool No.	Dia.	Teeth	Bore	Grind	Hook Angle
610601	10"	60	5/8	TCG	10°
612721	12"	72	1	TCG	10°

Application:
Cut-off and crosscut in woods, plywood and chipboard.



Pulls and Knobs

'EURO-RIP' RIPPING BLADE

THIS EXCEPTIONAL BLADE CUTS FAST & SMOOTH
Special cooling slots in body prevent heat build-up.

Tool No.	Dia.	Teeth	Bore	Grind	Hook Angle
RB1020	10"	20	5/8	FT	20°

Application:
Ripping in soft/hardwood.



Locks, Catches, Shelf Hardware

Lights

FINE CUT-OFF & CROSSCUT BLADE

FOR FRAGILE SURFACE LAYERS, LIKE VENEERS & LAMINATES

Tool No.	Dia.	Teeth	Bore	Grind	Hook Angle
610801	10"	80	5/8	TCG	10°

Application:
Ripping and crosscutting in all veneers, laminates and chipboard.



Closet and Furniture Hardware

BRAD POINT BORING BITS

57mm, 70mm & 77mm LONG

Tool No. Right Hand	Tool No. Left Hand	Drilling Dia.	Drilling Length	Shank	Length
201003*	301003*	3mm	18mm	10mm	57mm
201004	301004	4mm	27mm	10mm	57mm
201045	301045	4.5mm	27mm	10mm	57mm
201005	301005	5mm	27mm	10mm	57mm
201006	301006	6mm	27mm	10mm	57mm
201065	301065	6.5mm	27mm	10mm	57mm
201070	301070	7mm	27mm	10mm	57mm
201008	301008	8mm	27mm	10mm	57mm
201010	301010	10mm	27mm	10mm	57mm
201105	301105	10.5mm	27mm	10mm	57mm
201015	301015	15mm	27mm	10mm	57mm
201017	301017	17mm	27mm	10mm	57mm
201020	301020	20mm	27mm	10mm	57mm
201007	301007	1/4	27mm	10mm	57mm
201013	301013	1/2	27mm	10mm	57mm



Grommets

Kitchen Accessories

Melamine

204003*	304003*	3mm	18mm	10mm	70mm
204004	304004	4mm	35mm	10mm	70mm
204045	304045	4.5mm	35mm	10mm	70mm
204005	304005	5mm	35mm	10mm	70mm
204006	304006	6mm	35mm	10mm	70mm
204070	304070	7mm	35mm	10mm	70mm
204008	304008	8mm	35mm	10mm	70mm
204010	304010	10mm	35mm	10mm	70mm
204007	304007	1/4	35mm	10mm	70mm
204013	304013	1/2	35mm	10mm	70mm
202004	302004	4mm	44mm	10mm	77mm
202005	302005	5mm	44mm	10mm	77mm
202070	302070	7mm	44mm	10mm	77mm
202008	302008	8mm	44mm	10mm	77mm
202010	302100	10mm	44mm	10mm	77mm

* With solid carbide cutting edge
Do not use Brad Point bits in portable drills or routers.

Shop Supplies

THE PRESTIGE™ LINE

SUPER-FINE DADO SETS

SIX 4-WING CHIPPERS
Flat Bottom, Chip-Free Cuts!

Tool No.	Dia.	Teeth	Bore	Grind	Hook Angle
658060	8"	24	5/8	ATB	-10°
658060-1	8"	24	1	ATB	-10°

1/4" to 29/32" - adjustments can be made 1/32" increments.

Application:
Perfect crosscutting and ripping wood, melamine/laminates, veneered plywood. Set accommodates today's undersized plywoods.



DADO SET

FOUR 2-WING CHIPPERS
Cut clean dados

Tool No.	Dia.	Teeth	Bore	Grind	Hook Angle
658030	8"	24	5/8	ATB/FT	-5°
658030-1	8"	24	1	ATB/FT	-5°
658030-AK	8"	24	5/8	ATB/FT	+15°

1/8" to 13/16" groove.

Application:
Perfect crosscutting and ripping wood, melamine/laminates, veneered plywood.



THROUGH-HOLE 'V' POINT BORING BITS

57mm, 70mm & 77mm LONG

Tool No. Right Hand	Tool No. Left Hand	Drilling Dia.	Drilling Length	Shank	Length
313004	413004	4mm	25mm	10mm	57mm
313005	413005	5mm	25mm	10mm	57mm
313006	413006	6mm	25mm	10mm	57mm
313070	413070	7mm	25mm	10mm	57mm
313008	413008	8mm	25mm	10mm	57mm
313010	413010	10mm	25mm	10mm	57mm
313007	413007	1/4	25mm	10mm	57mm
313013	413013	1/2	25mm	10mm	57mm
314004	414004	4mm	40mm	10mm	70mm
314005	414005	5mm	40mm	10mm	70mm
314070	414070	7mm	40mm	10mm	70mm
314008	414008	8mm	40mm	10mm	70mm
314010	414010	10mm	40mm	10mm	70mm
314007	414007	1/4	40mm	10mm	70mm
314013	414013	1/2	40mm	10mm	70mm



315005 415005 5mm 45mm 10mm 77mm
315008 415008 8mm 45mm 10mm 77mm

Do not use Through-Hole bits in portable drills or routers.

Tools



2 FLUTE LAMINATE FLUSH TRIMMER BITS Carbide Tipped, Ball Bearing Pilot

For fast, smooth accurate trim cuts, shielded compact ball bearing pilot.

A



2 FLUTE ECONOMY, LAMINATE FLUSH TRIMMER ASSEMBLIES Carbide Tipped, Ball Bearing Pilot

For fast, accurate trim cuts, economy replaceable cutter and bearing. Arbor size 1/4"

B



OVERHANG TRIM BIT Carbide Tipped, Ball Bearing Pilot Overhangs 1/8"

E



Hinges

Drawer Slides

Pulls and Knobs

HINGE MORTISING BIT High Speed Steel

Fast cutting bit for making mortises when work is started at the edge. Smooth finish left makes this bit ideal for surfacing operations. Also used where good chip clearance

C is important in application such as gummy wood.



3 FLUTE LAMINATE FLUSH TRIMMER BIT Carbide Tipped, Ball Bearing Pilot

Gives chatter free production trimming with extra smooth flush trim cut. Compact ball bearing assembly is equipped

D with glue shield.



F

FLUSH TRIMMER BIT Solid Carbide Makes flush trim edge cut, self-pilot.

F



Locks, Catches, Shelf Hardware

Lights

BEVEL TRIMMER BIT Solid Carbide Makes 7° bevel on trim edge cut, self-pilot.

G



Closet and Furniture Hardware

BIT	ORDER NUMBER	AMANA NUMBER	CUT/BEARING DIAMETER	FLUTE/CUT LENGTH	SHANK DIAMETER	SHANK LENGTH	OVERALL LENGTH	TYPE CUT
A	47-566	47100	3/8"	1	1/4"	-	2-5/8"	-
A	47-564	47104	1/2"	1	1/4"	-	2-5/8"	-
A	47-624	47108	1/2"	1	1/2"	-	3-1/4"	-
B	47-618	47180	5/8"	5/8"	1/4"	-	2"	Flush
B	47-620	47184	3/4"	3/4"	1/4"	-	2"	Bevel
C	47-540	45500	1/2"	3/4"	1/4"	-	2"	-
D	47-512	47114	1/2"	1	1/4"	-	2-5/8"	-
E	47-514	47190	3/8"	1/2"	1/4"	-	2"	-
F	47-580	51200	-	1/4"	1/4"	-	1-1/2"	Flush
G	47-582	51202	-	1/4"	1/4"	-	1-1/2"	7° Bevel
H	47-520	45208	1/4"	3/4"	1/4"	1-1/4"	2"	-
H	47-526	45216	3/8"	3/4"	1/4"	1"	2"	-
H	47-530	45224	1/2"	3/4"	1/4"	1"	2"	-
H	47-546	45422	1/2"	1-1/2"	1/2"	1-5/8"	3-1/8"	-

2 FLUTE PLUNGE CUTTING

Strong webbing and heavy cutter backing give superior bit life. Specially designed tip for fast plunge cutting.



Grommets

Kitchen Accessories

H

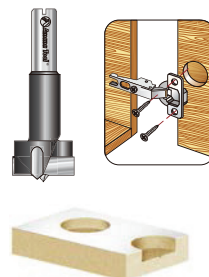
HINGE BORING BITS

57mm 2-WINGS SPURS

Tool No. Right Hand	Tool No. Left Hand	Drilling Dia.	Shank	Length
203201	203205	20mm	10mm	57mm
203221	203225	22mm	10mm	57mm
203251	413006	25mm	10mm	57mm
203261	413070	26mm	10mm	57mm
203301	413008	30mm	10mm	57mm
203351	413010	35mm	10mm	57mm
203401	413007	40mm	10mm	57mm

Do not use Hinge Boring bits in portable drills or routers.

Boring machines (10mm shank) & drill presses (3/8 shank).



Melamine

Shop Supplies

Tools



Amana Tool[®]
REDEFINING WOODWORKING™



Hinges

Drawer Slides

FLUSH TRIM PLUNGE BITS

WITH UPPER BALL BEARING • 2 FLUTE

Tool No.	Cutting Dia.	Cutting Length	Shank Dia.	Overall Length	Replacement Bearing	Overall Length
45460	1/2	1	1/4	2-1/2	47701	47724
45462	5/8	1	1/4	2-3/4	47712	47724
45464	3/4	1	1/4	2-1/2	47714	47724
45466	1	1	3/8	2-7/8	47722	47730
45468	1-1/8	1-1/2	1/2	3-1/2	47738	47740
45460-S	1/2	1/4	1/4	1-5/8	47701	47724

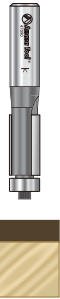


Pulls and Knobs

FLUSH TRIM BITS

WITH BALL BEARING GUIDE • 2 & 3 FLUTE

Tool No.	Cutting Dia.	Cutting Length	Shank Dia.	Overall Length	Flutes
*47090	1/4	1/2	1/4	2-1/4	2
*47092	1/4	1	1/4	2-1/2	2
47100	3/8	1	1/4	2-5/8	2
47102	3/8	1/2	1/4	2-1/8	2
47104	1/2	1	1/4	2-5/8	2
47106	1/2	1/2	1/4	2-1/4	2
47108	1/2	1	1/2	3-1/4	2
47114	1/2	1	1/4	2-5/8	3
47118	1/2	1	1/2	3	3



*1/4" diameter for closer inside corner cutting.
Replacement Bearing #47706

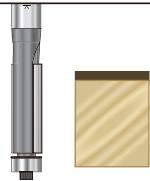
Locks, Catches, Shelf Hardware

Lights

EXTRA LONG FLUSH TRIM BITS

WITH BALL BEARING GUIDE • 2 FLUTE

Tool No.	Cutting Dia.	Cutting Length	Shank Dia.	Overall Length
47124	1/2	1-1/2	1/2	3-7/8
47126	1/2	2	1/2	4-1/4



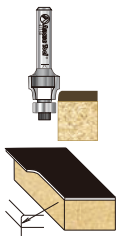
Closet and Furniture Hardware

Grommets

NO-FILE™ BITS

WITH BALL BEARING GUIDE • 2 FLUTE

Tool No.	Cutting Dia.	Cutting Length	Shank Dia.	Overall Length
47150	1/2	3/8	1/4	1-7/8
47152	1/2	3/8	1/2	2-1/8
47154	1/2	3/8	1/4	1-7/8



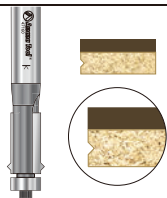
NOTE: #'s 47150-47152 are for laminates .042-.052 thick (1.5mm radius). #47154 for laminates .025-.038 thick (.4mm radius).

Kitchen Accessories

FLUSH TRIM 'V' GROOVE BITS

WITH BALL BEARING GUIDE • 2 FLUTE

Tool No.	Cutting Dia.	Cutting Length	Shank Dia.	Overall Length
47160	5/8	1	1/4	2-1/2
47162	5/8	1	1/2	3



Replacement Bearing #47706

Melamine

'OVERHANG' TRIM BITS

WITH BALL BEARING GUIDE • 2 FLUTE

Tool No.	Cutting Dia.	Cutting Length	Shank Dia.	Overall Length	'A' Overhang Width
47190	3/8	1/2	1/4	2	1/8



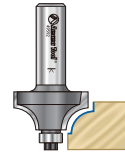
Replacement bearing #47718.

Shop Supplies

BEADING BITS

WITH BALL BEARING GUIDE • 2 FLUTE

Tool No.	Radius	Cutting Dia.	Cutting Length	Shank Dia.	Overall Length
49600	3/16	7/8	1/2	1/4	2
49604	1/4	1	1/2	1/4	2
49612	3/8	1-1/4	5/8	1/4	2-3/16
49616	1/2	1-1/2	3/4	1/4	2-1/4



Replacement bearing #47702.

CORNER ROUNDING BITS

WITH BALL BEARING GUIDE • 2 FLUTE

Tool No.	Radius	Cutting Dia.	Cutting Length	Shank Dia.	Overall Length
49496	1/8	3/4	3/8	1/4	2
49500	3/16	7/8	1/2	1/4	2
49504	1/4	1	1/2	1/4	2
49506	1/4	1	1/2	1/2	2-7/16
49512	3/8	1-1/4	5/8	1/4	2-3/16
49514	3/8	1-1/4	5/8	1/2	2-9/16
49516	1/2	1-1/2	3/4	1/4	2-1/4
49518	1/2	1-1/2	3/4	1/2	2-5/8
49520	3/4	2	1	1/2	2-7/8
49522	1	2-1/2	1-1/4	1/2	3-3/16
49524	1-1/4	3	1-1/2	1/2	3-1/4
49526	1-1/2	3-1/2	1-3/4	1/2	3-5/8



Replacement bearing #47706.

TAMBOUR ROUTER BIT SET

2 FLUTE

Designed by Lonnie Bird
U.S. Patent No. 7,810,532



Tool No.
54314 Complete 3 Piece Set

The minimum radius for the tambour door is 3-1/2"



SOLID CARBIDE PANEL PILOT BITS

SINGLE FLUTE

Tool No.	Type of Cut	Cutting Dia.	Cutting Length	Shank Dia.	Overall Length
51200	Flush	1/4	1/4	1/4	1-1/2
51202	7°	1/4	1/4	1/4	1-1/2



PANEL PILOT BITS

SINGLE FLUTE

Tool No.	Cutting Dia.	Cutting Length	Shank Dia.	Overall Length
45506	1/4	3/4	1/4	2-1/2
45508	3/8	1	3/8	3
45510	1/2	1-3/16	1/2	3-1/2





Hinges

BEVEL TRIM BITS

WITH BALL BEARING GUIDE • 2 FLUTE

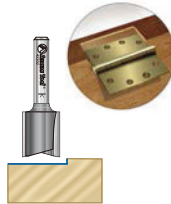
Tool No.	Bevel Degree	Cutting Length	Shank Dia.	Overall Length
47200	15°	9/32	1/4	1-7/8
47202	25°	9/32	1/4	1-7/8
47204	45°	1/4	1/4	1-7/8



MORTISING BITS

2 FLUTE

Tool No.	Cutting Dia.	Cutting Length	Shank Dia.	Overall Length
45500	1/2	3/4	1/4	2
45502	5/8	3/4	1/4	2
45504	3/4	3/4	1/4	2
45505	1-1/4	3/4	1/2	2-1/8



STRAIGHT PLUNGE BITS

2 FLUTE

Tool No.	Cutting Dia.	Cutting Length	Shank Dia.	Overall Length
45190	1/16	1/4	1/4	1-5/8
45192	3/32	1/4	1/4	1-3/4
45200	1/8	7/16	1/4	2
45201	5/32	7/16	1/4	2
45202	3/16	7/16	1/4	2
45210	1/4	1	1/4	2-1/4
*45110	1/4	1	1/4	3-1/4
45211	1/4	1	1/4	2-7/8
45212	9/32	1	1/4	2-1/4
45214	5/16	1	1/4	2-1/4
45218	3/8	1	1/4	2-1/4
45222	7/16	1	1/4	2-1/8
45226	1/2	1	1/4	2-1/8
45228	5/8	3/4	1/4	2
45230	3/4	3/4	1/4	2
45232	13/16	3/4	1/4	2
45234	7/8	3/4	1/4	2
45236	1	3/4	1/4	2
45408	1/4	3/4	1/2	2-1/2
45412	5/16	1	1/2	2-3/4
45414	3/8	1	1/2	2-3/4
45416	7/16	1-1/4	1/2	3
45418	1/2	1	1/2	2-5/8
45420	1/2	1-1/4	1/2	2-7/8
45422	1/2	1-1/2	1/2	3-1/8
45426	1/2	2	1/2	4-1/4
45427	1/2	2-1/2	1/2	4-1/2
45428	9/16	1-1/4	1/2	2-7/8
45432	5/8	1-1/4	1/2	2-7/8
45440	3/4	1-1/4	1/2	2-7/8
45445	23/32	1-1/4	1/2	2-7/8
45446	7/8	1-1/4	1/2	2-7/8
45448	1	1-1/4	1/2	2-7/8



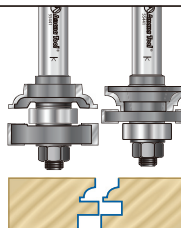
*Specifically designed for air powered routers as in the boat manufacturing industry.

2-PIECE STILE & RAIL SETS

WITH BALL BEARING GUIDE • 2 WING

For 3/4" Material

Tool No.	Type	Cutting Dia.	Cutting Length	Shank Dia.	Overall Length
55441	Bead	1-5/8	11/16	1/2	3-1/8
55421	Concave	1-5/8	11/16	1/2	3-1/8
55431	Ogee	1-5/8	1/16	1/2	3-1/8



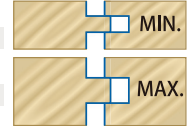
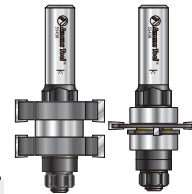
instile™ & RAIL SYSTEM

FLAT PANEL CABINET DOOR SETS

WITH BALL BEARING GUIDE • 2 WING
CUTS FRAME STOCK FROM 5/8" - 1-1/4"

SAY GOODBYE TO LOOSE FLAT PANELS
THE PERFECT FIX FOR UNDERSIZED PLYWOODS

Tool No.	Type	Cutting Dia.	Cutting Depth	Shank Dia.	Overall Length
55433	Concave	1-5/8	3/8	1/2	3-11/32
55436	Ogee	1-5/8	3/8	1/2	3-11/32
55437	Bead	1-5/8	3/8	1/2	3-11/32
55438	Mission	1-5/8	3/8	1/2	3-11/32
55439	Mission	1-7/8	1/2	1/2	3-11/32
55432	18° Bevel	1-7/8	1/2	1/2	3-11/32



Drawer Slides

Pulls and Knobs

Locks, Catches, Shelf Hardware

REVERSIBLE STILE & RAIL ASSEMBLIES

WITH BALL BEARING GUIDE • 2 WING • 1/2" SHANK

Tool No.	Type	Cutting Dia.	Cutting Length	'A' Reveal	Overall Length
55350	Ogee	1-5/8	7/8	1/2	3
55370	Traditional	1-5/8	7/8	1/2	3
55380	Classical	1-5/8	7/8	1/2	3



Lights

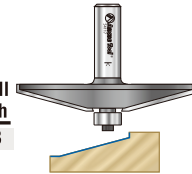
Closet and Furniture Hardware

TRADITIONAL RAISED PANEL BIT

WITH BALL BEARING GUIDE • 2 FLUTE • 1/2" SHANK

Tool No.	Reveal	Angle Degree	Cutting Dia.	Cutting Length	Overall Length
54117	*1-7/16	15°	3-3/8	1/2	2-3/8

*Total Reveal - Replacement bearing #47706.



Grommets

OGEE RAISED PANEL BIT

WITH BALL BEARING GUIDE • 2 FLUTE • 1/2" SHANK

Tool No.	Reveal	Each Radius	Cutting Dia.	Cutting Length	Overall Length
54118	*1-1/16	3/4	2-5/8	5/8	2-1/2
54121	*1-7/16	7/8	3-3/8	9/16	2-1/2

*Total Reveal - Replacement bearing #47706.



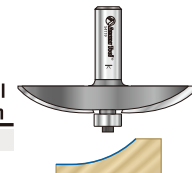
Kitchen Accessories

COVE RAISED PANEL BIT

WITH BALL BEARING GUIDE • 2 FLUTE • 1/2" SHANK

Tool No.	Reveal	Each Radius	Cutting Dia.	Cutting Length	Overall Length
54119	*1-1/16	1-9/16	3-3/8	1/2	2-3/8

*Total Reveal - Replacement bearing #47706.

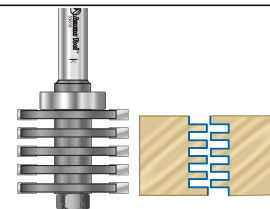


Melamine

BOX JOINT ASSEMBLY

3 WING • UPPER BALL BEARING GUIDE

Tool No.	Cutting Dia.	Shank Dia.	Overall Length
53610	1-7/8	1/2	3-3/4



Shop Supplies



Hinges

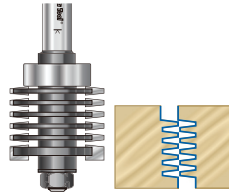
Drawer Slides

FINGER JOINT ASSEMBLY

2 WING • UPPER BALL BEARING GUIDE

European Chip-Breaker Type

Tool No.	Cutting Dia.	Shank Dia.	Overall Length
55392	1-9/16	1/2	3-3/4

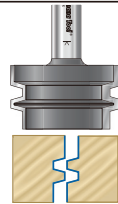


Pulls and Knobs

GLUE JOINT BIT

2 FLUTE

Tool No.	Cutting Dia.	Cutting Length	Shank Dia.	Overall Length
55388	1-7/8	1-3/32	1/2	2-5/8



Locks, Catches, Shelf Hardware

45° LOCK MITER BITS

2 FLUTE

Tool No.	Cutting Dia.	Cutting Length	Shank Dia.	Overall Length	Material Size
55390	2-11/16	1-3/16	1/2	2-5/8	1/2-7/8
55393	1/2	1/2	1/4	1-5/8	5/16-7/16



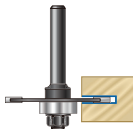
Lights

Closet and Furniture Hardware

SLOTting CUTTER ASSEMBLIES

3 WING

Tool No.	Cutting Dia.	Cutting Depth	Shank Dia.	Kerf	Overall Length
53400	1-7/8	1/2	1/4	1/16	2-1/8
53402	1-7/8	1/2	1/4	5/64	2-1/8
53404	1-7/8	1/2	1/4	3/32	2-1/8
53406	1-7/8	1/2	1/4	1/8	2-1/8
53407	1-7/8	1/2	1/4	5/32	2-1/8
53408	1-7/8	1/2	1/4	3/16	2-1/8
53410	1-7/8	1/2	1/4	1/4	2-1/8



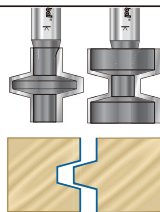
Grommets

Kitchen Accessories

WEDGE TONGUE & GROOVE SET

2 FLUTE

Tool No.	Large Dia.	Small Dia.	Cutting Length	Shank Dia.	Overall Length
55414	1-1/4	9/16	1-1/4	1/2	2-3/4

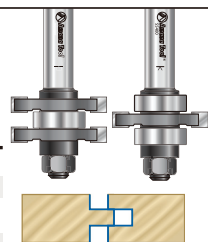


Melamine

TONGUE & GROOVE ASSEMBLIES

WITH BALL BEARING GUIDE • 2-WING

Tool No.	Cutting Dia.	Material Size	Depth of Cut	Shank Dia.	Overall Length
55408†	1-5/8	3/8-1/2	3/8	1/2	3
55405†	1-5/8	1/2-3/4	3/8	1/2	3
55400	1-5/8	1/2-3/4	3/8	1/2	3
55401†	1-7/8	3/4-1-1/8	1/2	1/2	3



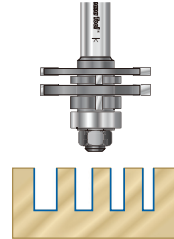
† 2-Piece Set

Shop Supplies

QUADRASET™ ADJUSTABLE SLOTTING ASSEMBLY

WITH BALL BEARING GUIDE • 2-WING

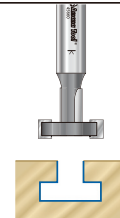
Tool No.	Cutting Dia.	Kerf	Shank Dia.	Overall Length
53600	1-7/8	1/8-23/32	1/2	3



T-SLOT BITS

2 FLUTE

Tool No.	Large Dia.	Small Dia.	Kerf	Cutting Length	Shank Dia.	Overall Length
45660	1-1/8	3/8	5/16	13/16	1/2	2-1/2
45662	1-3/8	1/2	3/8	7/8	1/2	2-1/2

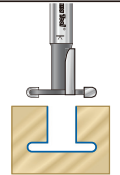


Note: These tools are designed for 'groove-forming' T-slot wall panels. They are not designed for plunging operations.

SPECIAL AMEROCK™ HINGE BITS

2 FLUTE

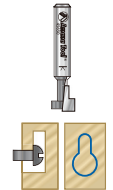
Tool No.	Large Dia.	Small Dia.	Cutting Length	Shank Dia.	Overall Length
48100	1-1/8	3/8	21/32	3/8	2
48102	1-19/32	3/8	21/32	3/8	2



KEYHOLE BITS

SINGLE FLUTE

Tool No.	Cutting Dia.	Cutting Depth	Shank Dia.	Overall Length
45650	3/8	3/8	1/4	1-1/2
45652	1/2	3/8	1/4	1-1/2

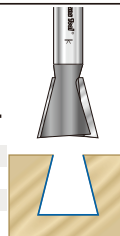


DOVETAIL BITS

2 FLUTE

Tool No.	Degree	Cutting Dia.	Cutting Length	Shank Dia.	Overall Length
45800	9°	3/8	3/8	1/4	1-5/8
45802	9°	3/8	3/8	1/2	2-1/8
45804	14°	1/2	1/2	1/4	2-3/8
45806	14°	1/2	1/2	1/2	2-3/8

Replacement bearing #47712, Snap ring #47752.



DOVETAIL, CORE BOX & 'V' GROOVE BITS

WITH UPPER BALL BEARING GUIDE • 2 FLUTE

Tool No.	Degree	Cutting Dia.	Cutting Length	Shank Dia.	Overall Length
45750	90° V-Groove	3/8	3/8	1/4	1-5/8
45850	14° Dovetail	3/8	3/8	1/2	2-1/8
45950	Core Box	1/2	1/2	1/4	2-3/8

Replacement bearing #47701, Replacement collar #47724.





Hinges

90° & 60° 'V' GROOVE BITS 2 FLUTE

Tool No.	Degree	Cutting Dia.	Cutting Length	Shank Dia.	Overall Length
45700	90°	3/8	7/16	1/4	1-5/8
45704	90°	1/2	1/2	1/4	1-5/8
45705	60°	1/2	5/8	1/4	1-3/4



NOTE: 90° 'V' Groove Bits are for decorative purposes and are not intended for 'miter-folding', etc.

SIGNMAKING/LETTERING BIT SOLID CARBIDE • 3 FLUTE

Tool No.	Degree	Cutting Dia.	Cutting Length	Shank Dia.	Overall Length
45730	60°	9/16	7/16	1/4	2-1/4



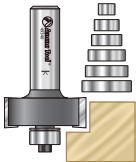
RABBETING BITS WITH BALL BEARING GUIDE • 2 FLUTE RABBET DEPTH 3/8"

Tool No.	Cutting Dia.	Cutting Length	Shank Dia.	Overall Length
49300	1-1/4	1/2	1/4	2
49302	1-1/4	1/2	1/2	2-3/8



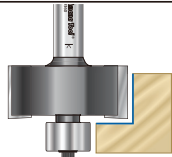
MULTI-RABBETING BITS 2 FLUTE • INCLUDES 6 BALL BEARING GUIDES RABBET DEPTHS 1/8", 1/4", 5/16", 3/8", 7/16", 1/2"

Tool No.	Cutting Dia.	Cutting Length	Shank Dia.	Overall Length
49340	1-3/8	1/2	1/4	2
49350	1-3/8	1/2	1/2	2-3/8



SUPERRABBET™ BITS WITH BALL BEARING GUIDES • 2 FLUTE

Tool No.	Cutting Dia.	Cutting Length	Shank Dia.	Overall Length
49360	2	7/8	1/2	3



67500 - 6pc collar set for Flush, 1/16, 1/8, 1/4, 3/8, 1/2 rabbets
67600 - 5pc collar set for 3/16, 5/16, 7/16, 9/16, 11/16 rabbets
67700 - 5pc collar set for 15/64, 23/64, 15/32, 19/32, 23/32 rabbets

SPIRAL FLUTE PLUNGE SOLID CARBIDE 2 FLUTE

'Up-cut' Tool No.	'Down-cut' Tool No.	Cutting Dia.	Cutting Length	Shank Dia.	Overall Length
46100	46200	1/8	1/2	1/4	2
46101	46201	3/16	3/4	1/4	2
46102	46202	1/4	3/4	1/4	2-1/2
46316	46416	1/4	1-1/8	1/4	3
46318	46418	5/16	1-1/8	1/2	3
46103	46203	3/8	1	3/8	2-1/2
46320	46420	3/8	1-1/4	3/8	3
46104	46204	3/8	1-1/4	1/2	3
46106	46206	1/2	1-1/4	1/2	3
46107	46207	1/2	1-5/8	1/2	3-1/2
46109	46209	3/4	1-5/8	3/4	4



INVECTRA METAL LAMINATE TRIM BITS

METAL LAMINATE TRIM BITS SOLID CARBIDE • 2 FLUTE

Tool No.	Cutting Dia.	Cutting Height	Shank Dia.	Overall Length
51430	1/4	5/8	1/4	2-3/8
51432	1/2	5/8	1/2	3-1/4

NEW



Recommended by Formica® & ATI®

Drawer Slides

Pulls and Knobs

SOLID CARBIDE PLASTIC SPIRAL 'O' FLUTE SINGLE FLUTE Mirror Finish

Tool No.	Cutting Dia.	Cutting Height	Shank Dia.	Overall Length	Type
51404	1/4	3/4	1/4	2	Up-Cut
51504	1/4	3/4	1/4	2	Down-Cut



Locks, Catches, Shelf Hardware

Lights

SOLID CARBIDE ALUMINUM SPIRAL 'O' FLUTE SINGLE FLUTE Mirror Finish

Tool No.	Cutting Dia.	Cutting Height	Shank Dia.	Overall Length	Type
51402	1/4	5/8	1/4	2	Up-Cut
51504	1/4	5/8	1/4	2	Down-Cut



Closet and Furniture Hardware

COMPRESSION SPIRAL SOLID CARBIDE FOR MDF/LAMINATE 2 FLUTE & 3 FLUTE

Designed for CNC use.

Tool No.	Cutting Dia.	Cutting Height	Shank Dia.	Overall Length	Flutes
46170	1/4	7/8	1/4	2-1/2	2
46188	1/2	1-1/4	1/2	3	2
46190	1/2	1-5/8	1/2	3-1/2	2
46194	5/8	2	5/8	4	2
46198	3/4	2	3/4	4	2
46010	3/8	1-1/8	3/8	3	3
46012	1/2	1-1/4	1/2	3	3



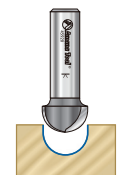
Grommets

Kitchen Accessories

Melamine

CORE BOX BITS 2 FLUTE

Tool No.	Radius	Cutting Dia.	Cutting Length	Shank Dia.	Overall Length
45904	1/8	1/4	1/4	1/4	1-5/8
45906	3/16	3/8	1/4	1/4	1-1/2
45910	1/4	1/2	3/8	1/4	1-1/2
45918	3/8	3/4	7/16	1/4	1-3/4



Shop Supplies



Hinges

CHAMFER BITS

WITH BALL BEARING GUIDE • 2 FLUTE

Drawer Slides

Tool No.	Angle	Cutting Dia.	Carbide Height	Cutting Length	Shank Dia.	Overall Length
49400	45°	1-1/4	1/2	5/8	1/4	2
49402	45°	1-1/4	1/2	5/8	1/2	2-3/8
49404	45°	2	3/4	1-1/8	1/2	2-1/2
¹⁸ 49406	45°	2-1/2	1	1-3/8	1/2	2-7/8
49410	22-1/2°	1-1/4	15/16	7/8	1/2	2-7/8
49414	30°	1-3/8	3/4	7/8	1/2	2-3/4



Pulls and Knobs

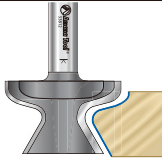
Replacement bearings: #'s 49400, 49402, 49412 & 49414 use #47704. All other tools use #47706.

Locks, Catches, Shelf Hardware

FINGER GRIP/DOOR LIP BIT

2 FLUTE

Tool No.	Cutting Dia.	Each Radius	Carbide Height	Shank Dia.	Overall Length
¹⁴ 53812	2	1/4	1-1/4	1/2	2-3/4



Lights

COVE BITS

WITH BALL BEARING GUIDE • 2 FLUTE

Closet and Furniture Hardware

Tool No.	Radius	Cutting Dia.	Cutting Length	Shank Dia.	Overall Length
49104	1/4	7/8	9/16	1/4	2
49112	3/8	1-1/8	9/16	1/4	2
49116	1/2	1-3/8	3/4	1/4	2-1/4

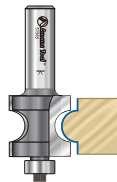


Grommets

BULLNOSE BITS

WITH BALL BEARING GUIDE • 2 FLUTE

Tool No.	Material Thickness	Radius	Cutting Length	Cutting Dia.	Shank Dia.	Overall Length
51572	3/4	3/8	1-5/16	1-3/8	1/2	3-1/4
51570	1/2	17/64	1	1-1/16	1/2	2-7/8



Kitchen Accessories

BULLNOSE BITS

2 FLUTE

Tool No.	Material Thickness	Radius	Cutting Length	Cutting Dia.	Shank Dia.	Overall Length
51558	1/2	17/64	1	1-1/32	1/2	2-1/2
²⁰ 51560	3/4	3/8	1-5/16	1-1/4	1/2	2-3/4
¹⁴ 51562	1	1/2	1-9/16	1-11/16	1/2	3-1/16
²⁰ 51556	3/8	13/64	3/4	7/8	1/2	2-1/4

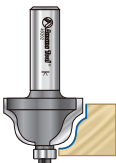


Melamine

ROMAN OGEE BITS

WITH BALL BEARING GUIDE • 2 FLUTE

Tool No.	Cutting Dia.	Each Radius	Cutting Length	Shank Dia.	Overall Length
49200	1	5/32	5/8	1/4	2-1/8
49202	1	5/32	5/8	1/2	2-1/2
49204	1-3/8	1/4	7/8	1/4	2-1/4



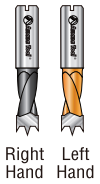
Replacement bearing #47704.

¹⁴ Warning: Maximum RPM ¹⁰ = 10,000; ¹² = 12,000; ¹⁴ = 14,000; ¹⁶ = 16,000; ¹⁸ = 18,000; ²⁰ = 20,000; ²² = 22,000

BRAD POINT BORING BITS

57mm, 70mm & 77mm LONG

Tool No. Right Hand	Tool No. Left Hand	Drilling Dia.	Drilling Length	Shank	Length
201003*	301003*	3mm	18mm	10mm	57mm
201004	301004	4mm	27mm	10mm	57mm
201045	301045	4.5mm	27mm	10mm	57mm
201005	301005	5mm	27mm	10mm	57mm
201006	301006	6mm	27mm	10mm	57mm
201065	301065	6.5mm	27mm	10mm	57mm
201070	301070	7mm	27mm	10mm	57mm
201008	301008	8mm	27mm	10mm	57mm
201010	301010	10mm	27mm	10mm	57mm
201105	301105	10.5mm	27mm	10mm	57mm
201015	301015	15mm	27mm	10mm	57mm
201017	301017	17mm	27mm	10mm	57mm
201020	301020	20mm	27mm	10mm	57mm
201007	301007	1/4	27mm	10mm	57mm
201013	301013	1/2	27mm	10mm	57mm
204003*	304003*	3mm	18mm	10mm	70mm
204004	304004	4mm	35mm	10mm	70mm
204045	304045	4.5mm	35mm	10mm	70mm
204005	304005	5mm	35mm	10mm	70mm
204006	304006	6mm	35mm	10mm	70mm
204070	304070	7mm	35mm	10mm	70mm
204008	304008	8mm	35mm	10mm	70mm
204010	304010	10mm	35mm	10mm	70mm
204007	304007	1/4	35mm	10mm	70mm
204013	304013	1/2	35mm	10mm	70mm



202004	302004	4mm	44mm	10mm	77mm
202005	302005	5mm	44mm	10mm	77mm
202070	302070	7mm	44mm	10mm	77mm
202008	302008	8mm	44mm	10mm	77mm
202010	302100	10mm	44mm	10mm	77mm

* With solid carbide cutting edge
Do not use Brad Point bits in portable drills or routers.

THROUGH-HOLE 'V' POINT BORING BITS

57mm, 70mm & 77mm LONG

Tool No. Right Hand	Tool No. Left Hand	Drilling Dia.	Drilling Length	Shank	Length
313004	413004	4mm	25mm	10mm	57mm
313005	413005	5mm	25mm	10mm	57mm
313006	413006	6mm	25mm	10mm	57mm
313070	413070	7mm	25mm	10mm	57mm
313008	413008	8mm	25mm	10mm	57mm
313010	413010	10mm	25mm	10mm	57mm
313007	413007	1/4	25mm	10mm	57mm
313013	413013	1/2	25mm	10mm	57mm
314004	414004	4mm	40mm	10mm	70mm
314005	414005	5mm	40mm	10mm	70mm
314070	414070	7mm	40mm	10mm	70mm
314008	414008	8mm	40mm	10mm	70mm
314010	414010	10mm	40mm	10mm	70mm
314007	414007	1/4	40mm	10mm	70mm
314013	414013	1/2	40mm	10mm	70mm
315005	415005	5mm	45mm	10mm	77mm
315008	415008	8mm	45mm	10mm	77mm



Do not use Through-Hole bits in portable drills or routers.

Tools



Hinges

CLASSICAL BITS

WITH BALL BEARING GUIDE • 2 FLUTE

Tool No.	Material Thickness	Cutting Radius	Cutting Length	Tool Dia.	Shank Dia.	Overall Length
54102	1-1/4	13/64	5/16	1/2	1/4	2
54106	1-1/2	7/32	15/64	5/8	1/4	2-1/8

Replacement bearing #47706.

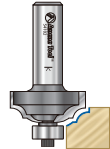


CLASSICAL BEAD & COVE BITS

WITH BALL BEARING GUIDE • 2 FLUTE

Tool No.	Cutting Dia.	Each Radius	Cutting Length	Shank Dia.	Overall Length
54100	2	11/32	1-1/4	1/2	3-1/8
54135	2	3/8	1	1/2	2-3/4
54292	1-1/2	3/16 & 5/16	5/8	1/2	2-1/2

Replacement bearing #47706.



Drawer Slides

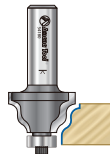
Pulls and Knobs

WAVY EDGE BITS

WITH BALL BEARING GUIDE • 2 FLUTE

Tool No.	Cutting Dia.	Each Radius	Cutting Length	Shank Dia.	Overall Length
54180	1-1/4	5/32	11/16	1/4	2-1/4

Replacement bearing #47706.



OGEE FILLET BITS

WITH BALL BEARING GUIDE • 2 FLUTE

Tool No.	Cutting Dia.	Each Radius	Cutting Length	Shank Dia.	Overall Length
54127	2-1/4	3/8	15/16	1/2	2-7/8
54110	1-3/8	5/32	1/2	1/4	2-1/16

Replacement bearing #47706.



Locks, Catches, Shelf Hardware

MATCHED BEAD BITS

WITH BALL BEARING GUIDE • 2 FLUTE

Tool No.	Cutting Dia.	Each Radius	Cutting Length	Shank Dia.	Overall Length
54186	1-1/4	3/16	1	1/2	2-7/8

Replacement bearing for #54186 use #47706.



'LEAF-EDGE' BEADING BITS

WITH DOUBLE BALL BEARING GUIDES • 2 FLUTE

Tool No.	Cutting Dia.	Each Radius	Cutting Length	Shank Dia.	Overall Length
54190	1	3/16	1/2	1/4	2-1/2

Replacement bearings #47712 (2 required).
Replacement collar #47724.



Lights

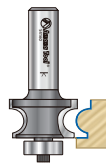
Closet and Furniture Hardware

CORNER BEADING BITS

WITH BALL BEARING GUIDE • 2 FLUTE

Tool No.	Cutting Radius	Cutting Dia.	Opening	Cutting Length	Shank Dia.	Overall Length
54160	1/8	7/8	1/4	9/16	1/4	2-1/8
54162	1/8	7/8	1/4	9/16	1/2	2-1/2

Replacement bearing for #'s 54160 & 54162 use #47706.

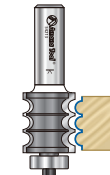


TRIPLE BEADING BIT

WITH BALL BEARING GUIDE • 2 FLUTE

Tool No.	Cutting Dia.	Each Radius	Cutting Length	Shank Dia.	Overall Length
54213	7/8	1/8	1	1/2	3

Replacement bearings #47716.



Grommets

CONVEX EDGING BITS

2 FLUTE

Tool No.	Cutting Dia.	Radius	Cutting Length	Shank Length	Shank Dia.	Overall Length
51580	13/16	23/32	27/32	1-1/4	1/4	2-1/2
51582	13/16	23/32	27/32	1-1/4	1/2	2-3/4



TRIPLE FLUTING BIT

WITH BALL BEARING GUIDE • 2 FLUTE

Tool No.	Cutting Dia.	Each Radius	Cutting Length	Shank Dia.	Overall Length
54217	7/8	1/8	1	1/2	3

Replacement bearings #47716.



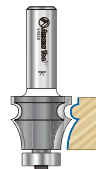
Kitchen Accessories

DRAWING LINE BITS

WITH BALL BEARING GUIDE • 2 FLUTE

Tool No.	Cutting Dia.	Radius	Large Radius	Cutting Length	Shank Length	Overall Length
54350	1	3/32	3/32	7/8	1/2	2-3/4
54354	1	5/32	5/32	7/8	1/2	2-3/4

Replacement bearing #47716.

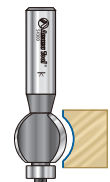


EDGE FLUTING BIT

WITH BALL BEARING GUIDE • 2 FLUTE

Tool No.	Cutting Dia.	Radius	Depth of Cut	Cutting Length	Shank Dia.	Overall Length
54302	3/4	5/16	1/8	1/2	1/2	2-3/4
54306	7/8	3/4	3/16	1	1/2	3-1/4

Replacement bearing #47706.



Melamine

Shop Supplies

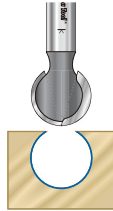


Hinges

Drawer Slides

BALL END BITS 2 FLUTE

Tool No.	Small Dia.	Large Dia.	Radius	Shank Dia.	Overall Length
45960	1/2	1/4	1/4	1/2	2-1/4
45964	3/4	5/16	3/8	1/2	2-1/2



Pulls and Knobs

BOWL & TRAY BITS 2 FLUTE

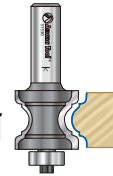
Tool No.	Cutting Dia.	Radius	Cutting Length	Shank Dia.	Overall Length
45982	3/4	1/4	5/8	1/4	2-5/8
45984	3/4	1/4	5/8	1/2	2-5/8
45986	1-1/8	1/4	5/8	1/2	2-5/8



Locks, Catches, Shelf Hardware

BULLNOSE/COVE EDGE BITS WITH BALL BEARING GUIDE • 2 FLUTE

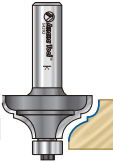
Tool No.	Cutting Dia.	Radius 1	Radius 2	Cutting Length	Shank Dia.	Overall Length
51530	1-1/8	1/8	1/4	1	1/2	2-7/8
51534	1-3/8	3/16	1/2	1-9/16	1/2	3-3/8



Lights

CLASSICAL OGEE BIT WITH BALL BEARING GUIDE • 2 FLUTE

Tool No.	Cutting Dia.	Radius 1	Radius 2	Cutting Length	Shank Dia.	Overall Length
54292	1-1/2	3/16	5/16	5/8	1/2	2-1/2



Closet and Furniture Hardware

HANDRAIL/TABLE EDGE BITS WITH BALL BEARING GUIDE • 2 FLUTE

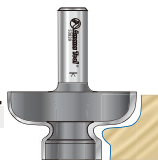
Tool No.	Cutting Dia.	Radius	Cutting Length	Shank Dia.	Overall Length
49550	2-3/4	1-3/4	5/8	1/2	2-1/2
49554	2-1/2	3/8	3/4	1/2	2-3/4
49556	2-1/2	3/8	3/4	1/2	2-3/4



Kitchen Accessories

'DECO' DOOR EDGE DETAIL BITS 1/2" SHANK • 2 FLUTE

Tool No.	Cutting Dia.	Radius 1	Radius 2	Cutting Length	Overall Length
53820	2	3/8	1/8	1-3/16	2-1/2
49562	1-3/4	3/8	3/8	11/16	2-5/8



Melamine

Shop Supplies

Replacement bearing #47706 for Tool #49562.

LANSEN™ EDGE SINK BITS

WITH ULTRA-GLIDE™ BALL BEARING GUIDE • 2 FLUTE
Seamless Integration with Lansen Edge Sinks™

NEW

Tool No.	Pattern	Cutting Dia.	Cutting Length	Shank Dia.	Overall Length
57169	Bevel	1-3/16	1	1/2	3-1/8
57155	Flush	49/64	1-1/2	1/2	3-1/2
49409	Bevel	7/8	3/4	1/2	2-1/4



Ultra-Glide™ Delrin® Ball Bearing # 47733
(fits #57169 & #57155)

Steel Ball Bearing #47718 (fits #49409)

UNDERMOUNT BOWL SOLID SURFACE BITS WITH ULTRA-GLIDE™ BALL BEARING GUIDE • 2 FLUTE

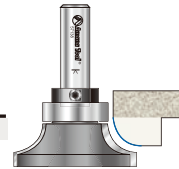
Tool No.	Cutting Dia.	Type	Angle	Cutting Length	Radius	Overall Length
57122	1-1/4	Bevel	10°	15/16	--	2-7/8
57128	2-1/8	Round	18°	1	1/2	3
57130	2-5/8	Round	18°	1-1/4	9/16	3-1/4



Replacement 'Ultra-Guide™' bearing #47726.

ROUND UNDER SOLID SURFACE BITS WITH ULTRA-GLIDE™ BALL BEARING GUIDE • 2 FLUTE

Tool No.	Cutting Dia.	Radius	Cutting Length	Shank Dia.	Overall Length
57138	2-1/8	1/2	3/4	1/2	2-7/8
57140	2-5/8	3/4	1	1/2	3

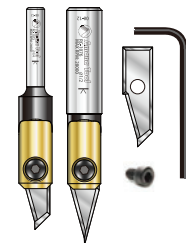


Replacement 'Ultra-Guide™' bearing #47737 (after 6/95).
Replacement steel bearing #47738 (prior to 6/95).
Replacement collar #47740.



REPLACEMENT KNIFE SYSTEM CNC ENGRAVING & LETTERING

Tool No.	Shank Dia.
RC-1075	1/4
RC-1076	1/2



Replacement Insert Knives available in:
V-Tips - 30°, 60° and 90° - 18 sizes
Straight - 4 sizes
Core Box - 4 sizes
Corner Round & Bead Groove - 3 sizes



⚠ Warning: Maximum RPM ⚠ = 10,000; ⚠ = 12,000; ⚠ = 14,000;
⚠ = 16,000; ⚠ = 18,000; ⚠ = 20,000; ⚠ = 22,000

Tools



Heavy Wire Staplers

It's fast, multi-directional stitching is a major benefit in applications like ridge beams and all types of sheathing.

- Durable construction, minimizes downtime and operating costs
- Adjustable depth of drive
- EZ-Clear latch
- Comfort grip handle
- Reload indicator

Galvanized Staples for SENC0 3L0003N

Item Code	Length	Gauge	Crown	Point	Finish	Coating	Carton Count
65-N13BAB	1	16	7/16"	Chisel	Bright Basic	Sencote	5M
65-N15BAB	1 1/4	16	7/16"	Chisel	Bright Basic	Sencote	10M
65-N17BAB	1 1/2	16	7/16"	Chisel	Galvanized	Sencote	10M
65-N21BAB	2	16	7/16"	Chisel	Galvanized	Sencote	10M



ORDER NUMBER

3L0003N..... 65-158

Hinges

Drawer Slides

Pulls and Knobs

Medium Wire Staplers

SLP20XP

H: 8-1/4"

L: 9-1/2"

W: 2.3 lbs.

Capacity: 110

The ergonomically designed SLS20XP increases quality and productivity in a wide variety of applications.

- Ultra-Light (2.5 Lbs.) For Ease Of Handling
- Neverlube® Design Means Easier Maintenance
- No Lubrication To Stain Fine Wood
- Ergonomically Designed With Comfort Grip
- Adjustable Depth Of Drive
- No-Mar Pad

Galvanized Staples for SENC0 SKSXP

Item Code	Length	Gauge	Crown	Point	Finish	Coating	Carton Count
65-M10BABN	5/8"	18	3/8"	Chisel	Bright Basic	Sencote	5M
65-M11BABN	3/4"	18	3/8"	Chisel	Bright Basic	Sencote	5M
65-M06BABN	3/8"	18	3/8"	Chisel	Galvanized	Sencote	10M
65-M08BAB	1/2"	18	3/8"	Chisel	Galvanized	Sencote	10M
65-M12BAB	7/8"	18	3/8"	Chisel	Galvanized	Sencote	5M



ORDER NUMBER

SLS20XP..... 65-101

Locks, Catches, Shelf Hardware

Lights

Closet and Furniture Hardware

Grommets

Powerplus® SKSXP

SKSXP is available for use in a wide variety of wood-working applications. It is offered in 16 and 18 gauge and 3 different crown widths in staple lengths up to 1 1/2".

- E-Z LOAD, Ez-Clear System
- Only 2 Moving O-Rings - Less Maintenance
- Quiet Operation
- Long 1" Lip To Get Into Tight Spots
- Nevellube® Design

Galvanized Staples for SENC0 SLS20XP-L

Item Code	Length	Gauge	Crown	Point	Finish	Coating	Carton Count
65-L10BABN	5/8"	18	1/4"	Chisel	Galvanized	Sencote	5M
65-L11BAB	3/4"	18	1/4"	Chisel	Galvanized	Sencote	5M
65-L13BABN	1"	18	1/4"	Chisel	Galvanized	Sencote	5M
65-L14BAB	1 1/8"	18	1/4"	Chisel	Galvanized	Sencote	5M
65-L15BAB	1 1/4"	18	1/4"	Chisel	Galvanized	Sencote	5M
65-L17BAB	1 1/2"	18	1/4"	Chisel	Galvanized	Sencote	5M



ORDER NUMBERS

Powerplus® SKSXP..... 65-106

Powerplus® SLS20XP..... 65-103

Kitchen Accessories

Melamine

Shop Supplies

Medium Wire Staplers

SLP20XP

H: 8-1/4" L: 9-1/2" W: 2.3 lbs. Capacity: 110

Hinges

The SLP20XP design ensures unmatched ease of use as well as superior precision and driving power, which makes this tool perfect for fastening a variety of material types and thicknesses.

- Drives Both Slight And Medium Head Brads
- Requires Minimum Maintenance For Trouble-Free Upkeep
- Muffler Ensures Quieter Operation
- Neverlube® Design
- Includes Case

Drawer Slides



ORDER NUMBER

SLP20XP 65-100

Applications

Beading, Cabinets, Chair Rail, Decorative Trim, Furniture, Molding, Paneling, Picture Frames, Rattan, Scribe Molding, Upholstery

Galvanized Staples for the Senco SLS20L

Pulls and Knobs

Item Code	Length	Head	Point	Coating	Carton Count
65-AZ08EAA	1/2"	Headless	Chisel	Plain	5M
65-AZ11EAA	3/4"	Headless	Chisel	Plain	5M
65-AZ13EAA	1"	Headless	Chisel	Plain	5M
65-AY10EAA	5/8"	Slight	Chisel	Plain	5M
65-AY11EAA	3/4"	Slight	Chisel	Plain	5M
65-AY13EAA	1"	Slight	Chisel	Plain	5M
65-AX10EAA	5/8"	Medium	Chisel	Plain	5M
65-AX11EAA	3/4"	Medium	Chisel	Plain	5M
65-AX13EAA	1"	Medium	Chisel	Plain	5M
65-AX15EAA	1 1/4"	Medium	Chisel	Plain	5M
65-AX17EAA	1 1/2"	Medium	Chisel	Plain	5M
65-AX21EAA	2"	Medium	Chisel	Plain	5M

Locks, Catches, Shelf Hardware

Lights

Closet and Furniture Hardware



Grommets

Micro Pinner

H: 6-1/2" L: 8-1/2" W: 2.25 lbs.

Engineered for pros and demanding work environments at competitive pricing

Applications

Ideal for carving and ornamentals, toy building, cabinet doors, small trim, picture frames, glazing bead, bird houses, bee hive assembly

Benefits

- Rear exhaust directs oil and dust away from wood surfaces
- Metal magazine for durability
- Soft handle grip
- Easy fastener length adjustment
- Visible fastener LOAD and RELOAD indicator
- Includes rttings, wrenches, and oil

Kitchen Accessories

Melamine



ORDER NUMBER

Finish Pro™ 10..... 65-146

Headless Pins for the Senco Finish Pro™ 10

ORDER NUMBER	GAUGE	PIN TYPE	PIN LENGTH	PIECES PER BOX
65-A100509	23	Micro Pin	1/2"	2.6M
65-A100629	23	Micro Pin	5/8"	2.6M
65-A100759	23	Micro Pin	3/4"	2.6M
65-A101009	23	Micro Pin	1"	2.6M
65-A109809	23	Micro Pin	Variety Pack	2.6M

*Variety Pack includes 600 each of 1/2", 5/8", 3/4", 1"

Shop Supplies

Tools



Corrugated Fastener Tool

H: 9-1/4" L: 12-11/16" W: 6.9 lbs. Capacity: 106

Corrugated fastener provides twice the strength of ordinary fasteners

Applications

Butt Joints in Cabinets and Furniture, Frames, Door and Window Sash, Millwork, Truss Construction, Picture Frames, Wood boxes, Pallet Stringer Repair

Benefits

- Added strength for larger butt joints
- Powerful for hard and dense material



Galvanized Corrugated Fasteners(5M/box)

ORDER NUMBER	GAUGE	CROWN WIDTH	STAPLE LENGTH	SENCO REFERENCE
65-X06NRA	25	1"	3/8"	X06

ORDER NUMBER
Senco SC2..... 65-112

Hinges

Drawer Slides

Pulls and Knobs

Locks, Catches, Shelf Hardware



Fine Wire Staplers

H: 5-15/16" L: 9-1/2" W: 2 lbs. Capacity: 110-185

Powerful finish and trim stapler designed for easy handling and virtually trouble-free maintenance

Applications

Furniture, Upholstering, Automotive Vinyl and Interior Trim, Home Insulation, Dust covers, TV and Stereo Grille Cloth, Picture Frames, Case backs, Shoe making, Roofing Felt, Felt Insulation, Decorative Trim and Molding

Benefits

- Lightweight(1.7 lbs.) well balanced and easy to handle
- Neverlube™ Design means no oil to damage the work surface
- Sencomatic® rapid-fire models and double length magazines available special order



ORDER NUMBERS
SFW10XP-A(3/16 Crown).....65-121
SFW10XP-C(3/8 Crown).....65-125

Lights

Closet and Furniture Hardware

Grommets

Kitchen Accessories

Galvanized Staples for Senco SFW10 Models

Item Code	Length	Gauge	Crown	Point	Finish	Coating	Carton Count
65-A06BABN	3/8"	22	3/16"	Chisel	Galvanized	Sencote	30M
65-A08BAB	1/2"	22	3/16"	Chisel	Galvanized	Sencote	20M
65-D10BABN	5/8"	22	3/16"	Chisel	Galvanized	Sencote	20M
65-C04BAAP	1/4"	22	3/8"	Chisel	Galvanized	Plain	35M
65-C06BAAP	3/8"	22	3/8"	Chisel	Galvanized	Plain	50M
65-C08BAAP	1/2"	22	3/8"	Chisel	Galvanized	Plain	35M
65-C10BAAP	5/8"	22	3/8"	Chisel	Galvanized	Plain	27M

* SPECIAL ORDER *

Melamine

Shop Supplies

Brad Nailer / Compressor Kit



Hinges FinishPro18 Brad Nailer / Compressor kit has Everything to get you started on the job. The FinishPro® 18 Brad Nailer is a versatile nailer for all your finish needs. The SENCOR® PC1010 Compressor is a 1-gallon, oil-less portable air compressor. Its lightweight, rugged design will satisfy the needs of the professional.

Drawer Slides

Pulls and Knobs

Locks, Catches, Shelf Hardware

Lights

Closet and Furniture Hardware

Grommets

Kitchen Accessories

Melamine

Shop Supplies

Applications

Cabinets, Casebacks, Drawers, Upholstery, Spring Attachment, Insulative Sheathing, Underlayment, Soffits, Molding and Trim, Latic, Hardwood Floors



Brad Nailer / Compressor Kit Features:

FinishPro® 18 Brad Nailer

- Adjustable depth-of-drive control
- Adjustable exhaust
- Belt hook, comfort grip and no-mar pad
- Lightweight and powerful
- 1 Gallon Electric Hand-Carry Compressor

1 HP (peak) and 1/2 HP (running) oil-less motor

- 1-gallon capacity tank
- 4 Amps at 115 Volt with 120 PSIG maximum output
- 1/4" quick disconnect coupler
- Individual gauges for tank and regulated output pressure
- Hand carry

Includes:

- FinishPro® 18 Brad Nailer
- 1 Gallon Electric Hand-Carry Compressor
- PC0947, FinishPro® 18 Gauge Brad Nailer Compressor Combo Kit - PC0947
- 1/4" x 25' Coil Hose
- Tool Oil
- All Necessary Air Fittings
- Safety Glasses
- Manuals
- Variety Pack of 18-Gauge Brad Nails

ORDER NUMBER

Finish Pro™ Brad Nailer Kit..... **65-160**

*Special Order

Specifications:

- FinishPro® 18 Brad Nailer
- Fastener Range: 5/8" - 2"
- Height: 9.3"
- Length: 9-3/4"
- Regular Operating Pressure: 70 - 95 PSIG (4.8 - 6.5 bar)
- Mode Of Operation: Contact Actuation
- Air Inlet: 1/4" NPT
- Gauge: 18-Gauge
- Fastener Capacity: 110

1 Gallon Electric Hand-Carry Compressor

- Power Source: Electric
- Maximum Amperage: 4 Amps @ 115 Volt
- Horsepower: 1 HP (Peak); 0.5 HP (Running)
- Pump: Oil-Less
- Air Flow: .7 SCFM
- Pump-Up Time: 128 Seconds (0 - 120 PSI)
- Recovery Time: 35 Seconds (90 - 120 PSI)
- Maximum Pressure: 120 PSI
- Tank Storage: 1-Gallon
- Dimensions: 14" x 10" x 13" (L x W x H)



Brad Nailer / Compressor Kit

The SENCOR[®] PC1010 Compressor is a 1/2 HP, 1-gallon, oil-less portable air compressor. Its lightweight, rugged design will satisfy the needs of the professional! This lightweight micro pinner is the perfect tool for all of your intricate finish and trim remodeling projects. The micro pins fasten the smallest of decorative trim securely and leave a nearly invisible hole with no splitting or puttying. The FinishPro 10 drives 1/2" - 1" 23-gauge micro pins.

Applications

Cabinets, Casebacks, Drawers, Upholstery, Spring Attachment, Insulative Sheathing, Underlayment, Soffits, Molding and Trim, Latic, Hardwood Floors

Pin Nailer / Compressor Kit Features:

- FinishPro[®] 10 Micro Pinner
- Easy fastener length adjustment
- Hardened alloy steel driver for durability
- Rear exhaust
- Smooth metal cap and magazine
- Soft grip for comfort and control
- Extra power for use in hardwoods
- Low LOAD indicator
- Heavy-duty body

Compressor

- 1 HP (peak) and 1/2 HP (running) oil-less motor
- 1-gallon capacity aluminum tank
- 4 Amps at 115 Volt with 120 PSIG maximum output
- 1/4" quick disconnect coupler and regulator
- Individual tank gauges to regulate output pressure
- Hand carry cushioned grip handle
- Lightweight at only 20 lbs., yet compact, rugged and designed for the professional

FinishPro 10 Combo Kit Includes:

- FinishProR 10 Micro Pinner - 2C0001N
- 1 Gallon Electric Hand-Carry Compressor - PC1010
- PC0974, FinishProR Micro Pinner and Compressor Combo Kit - PC0974
- 1/4" x 25' Recoil Air Hose
- Tool Oil
- All Necessary Air Fittings
- Safety Glasses
- Manuals
- Variety Pack of Headless Pins
- Tool Case



ORDER NUMBER

Finish Pro[™] Pin Nailer Kit.....65-176

*Special Order

Specifications:

- FinishProR 10 Micro Pinner
- Fasteners Used: 1/2" - 1"
- Height: 6 3/4" (171 mm)
- Length: 8-7/8" (225mm)
- Regular Operating Pressure: 70 - 95 PSIG (4.8 - 6.5 bar)
- Mode Of Operation: Sequential Actuation
- Lip Length: 5/8"
- Gauge: 23-Gauge
- Pin Capacity: 110

1 Gallon Electric Hand-Carry Compressor

- Power Source: Electric
- Maximum Amperage: 4 Amps @ 115 Volt
- Horsepower: 1 HP (Peak); 0.5 HP (Running)
- Pump: Oil-Less
- Air Flow: .7 SCFM
- Pump-Up Time: 128 Seconds (0 - 120 PSI)
- Recovery Time: 35 Seconds (90 - 120 PSI)
- Maximum Pressure: 120 PSI
- Tank Storage: 1-Gallon
- Dimensions: 14" x 10" x 13" (L x W x H)

Hinges

Drawer Slides

Pulls and Knobs

Locks, Catches, Shelf Hardware

Lights

Closet and Furniture Hardware

Grommets

Kitchen Accessories

Melamine

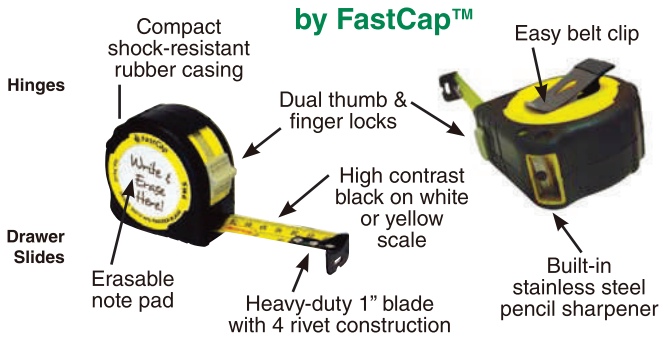
Shop Supplies

Tools

TAPE MEASURE

3M MASKING TAPE

PAINT BRUSHES



by FastCap™

ORDER NUMBERS

- PMS 16' Metric Standard.....**20-116**
- PMS 25' Metric Standard.....**20-118**
- PS 16' Standard.....**20-120**
- PS 25' Standard.....**20-122**



ORDER NUMBERS

- 3/4"**47-138**
- 2"**47-140**



ORDER NUMBERS

- 1"**47-184**
- 2"**47-186**
- 3"**47-188**

J-ROLLER

TRIPLE ROLLER

ROLLER FRAMES



ORDER NUMBER
47-110



ORDER NUMBER
47-256



ORDER NUMBERS

- 3"**47-178**
- 9"**47-198**

100% COTTON RAGS

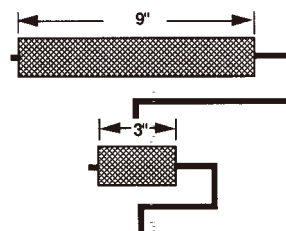
TRIM EASE

ROLLER COVERS

10 lb. Box
ORDER NUMBER
47-802



ORDER NUMBER
47-154



ORDER NUMBERS

- 3"**47-114**
- 9"**47-116**

Tools

PLASTI-CUTFILES

ULTRA SHARP • ULTRA HARD



For fast, clean cuts and long economical life. Designed especially for decorative laminates. (box of 5)

ORDER NUMBERS

12" Fast file	47-102	10" Mill file	47-100
14" Fast file	47-106	12" Mill file	47-104
14" Fast file	47-106	14" Mill file	47-108

FILE BRUSH

UNCLOGS YOUR FILES FOR FASTER, CLEANER CUTTING



ORDER NUMBER
47-112

Hinges

Drawer Slides

Mercer Dual File

DOUBLE CUT ON ONE SIDE FOR FASTER CUTTING, SINGLE CUT ON THE OTHER FOR A MORE PRECISE CUT.



ORDER NUMBERS 10" - 12 pack**47-310**
INDIVIDUAL SLEEVES INCLUDED 12" - 6 pack**47-312**

Mercer FastMill File

SINGLE CUT (FAST) BOTH SIDES



ORDER NUMBERS 10" - 12 pack**47-320**
INDIVIDUAL SLEEVES INCLUDED 12" - 6 pack**47-322**

Pulls and Knobs

Locks, Catches, Shelf Hardware

Mercer Rapid Cross Cut File

DOUBLE CUT BOTH SIDES / FASTEST CUT AVAILABLE



ORDER NUMBERS 10" - 12 pack**47-330**
INDIVIDUAL SLEEVES INCLUDED 12" - 6 pack**47-332**

TriBlade by FastCap™

NEVER BE WITHOUT A SHARP KNIFE AGAIN!

- Comfortable, rubber grip
- Retractable, auto-locking snap-off blade
- Blade storage in knife



ORDER NUMBERS

TriBlade Utility Knife.....**20-124**
Replacement Blades - 10 Pack.....**20-126**

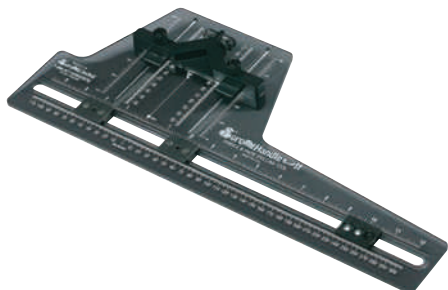
Lights

Closet and Furniture Hardware

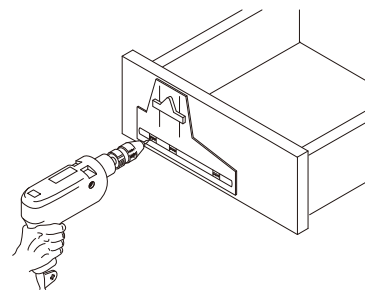
QWIK-SET HARDWARE Pull JIG

FOR DOORS AND DRAWERS

This very handy and practical jig is ideal for the small to medium size shop, and use in the field.



ORDER NUMBER
47-210



Use a 4.5mm or 3/16" drill

Kitchen Accessories

Melamine

Shop Supplies

Most of the merchandise in this catalog is available in all Hardware Imagination-Tech locations. If your selection isn't available at the store nearest you, we'll gladly order it from one of the other stores or through special order.

Cap Covers

Hinges

Cover Caps

Drawer Slides

Cover caps by FastCap are self adhesive caps made of durable PVC or unfinished/prefinished real wood veneers. It is available for a wide variety of applications from covering RTA fittings to trimming out plumbing cut outs in sink cabinets.

Pulls and Knobs

Take this cap & stick it!



Locks, Catches, Shelf Hardware



Lights

Closet and Furniture Hardware

US.Pat.No. 5,997,229



ProOrganizer

- Rugged and durable PVC
- Holds 10 different colors and up to 5 sheets per section
- Accordion style organization
- Includes tabs for easy labeling
- Prefilled Organizer comes with our 10 most popular colors



Description	Order Number
ProOrganizer (pre-filled)	20-130

Edgebanding

Grommets

works! Fastedge is the perfect solution for field repairs, inside and outside radiuses, scribe tape, and countless other applications. Durable and easy to use, Fastedge is made from high quality PVC and real wood veneers. Our high performance pressure sensitive acrylic adhesive increases in strength as it cures, providing a long lasting, permanent bond.

Kitchen Accessories

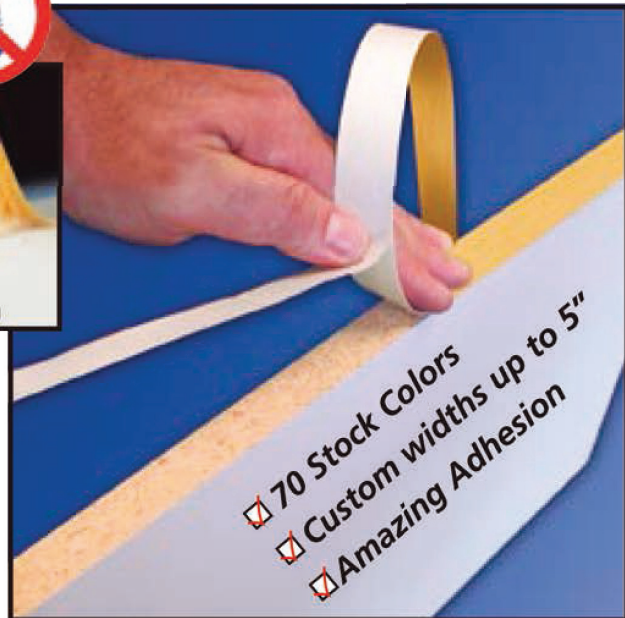


NO More Ironing!



Melamine

Description	Order Number
White PVC 15/16" x 50' Roll Fastedge	20-132
Maple Prefinished 15/16" x 50' Roll Fastedge	20-134
Cherry Prefinished 15/16" x 50' Roll Fastedge	20-136
Oak Prefinished 15/16" x 50' Roll Fastedge	20-138
Maple Unfinished 15/16" x 50' Roll Fastedge	20-140
Cherry Unfinished 15/16" x 50' Roll Fastedge	20-142
Oak Unfinished 15/16" x 50' Roll Fastedge	20-144



Shop Supplies

Cap Covers



Caps for Plumbing

5 sheets per box.
10 for 1/2" Supply Line and
5 for 1-7/8" Waste Line
covers.

5/8"
16mm
For 1/2"
Supply Line

1-7/8"
49 mm
For 1-1/2" Waste Line

Unfinished

Unfinished wood veneer caps that can be sanded and stained to match any finish requirements.

Packaged 260 caps - 5 caps per sheet - 5 sheets per box.

red oak 19-958	pine N.S.	ash 19-968
white oak N.S.	white birch 19-966	hickory 19-970
maple 19-960	natural birch N.S.	sapele 19-972
cherry 19-962	walnut N.S.	pecan N.S.
mahogany 19-964	VG Fir N.S.	teak N.S.
	anigre 19-967	alder N.S.

Unfinished Real Wood Sampler Pack
16 sheets: 1 sheet of each
Unfinished Real Wood color
Order #: 19-992

PVC

white 19-920	renaissance oak 19-934	clear maple N.S.	autumn cherry N.S.	knotty pine 19-956
antique white 19-921	pickled oak 19-936	american maple N.S.	fuji cherry N.S.	beech N.S.
almond 19-922	rosewood oak 19-938	natural cherry 19-950	red mahogany 19-946	finished MDF N.S.
black 19-924	medium oak N.S.	select cherry 19-954	dark red mahogany 19-948	brushed brass N.S.
fog gray 19-926	light oak N.S.	medium cherry 19-952	presidential walnut N.S.	polished brass N.S.
folkstone gray 19-928	hardrock maple 19-940	bourbon cherry N.S.	imperial walnut N.S.	brushed chrome N.S.
natural oak 19-930	manitoba maple 19-942	golden cherry N.S.	mahogany on walnut N.S.	polished chrome N.S.
golden oak 19-932	white washed maple 19-944	dark cherry N.S.		
	light maple 19-945	heritage cherry N.S.		

PVC Sampler Pack
41 sheets: 1 sheet of each
Solid/Woodgrained PVC
& Metallics

Order #: 19-990

Hinges

Drawer Slides

Pulls and Knobs

Locks, Catches, Shelf Hardware

Lights

Closet and Furniture Hardware

Grommets

Kitchen Accessories

Melamine

Shop Supplies

Cap Covers

Hinges

2P-10 Adhesive Systems

Drawer Slides

With 2P-10 you can easily glue the hardest joints in cabinetry without clamping.

Pulls and Knobs

Locks, Catches, Shelf Hardware



Description	Order Number
2P-10 Activator - 2 oz.	20-146
2P-10 Medium Adhesive - 1 oz.	20-100
2P-10 Jël Adhesive - 1 oz.	20-102
2P-10 Solo Activator - 12 oz.	20-104
2P-10 Jël Adhesive - 8 oz.	20-106

Lights

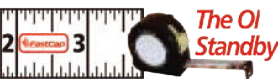
Closet and Furniture Hardware

pro carpenter professional tape measure

Grommets

Tape measures have evolved to the next level... The heavy-duty ProCarpenter Series features an erasable note pad, pencil sharpener, rugged rubberized case and a super thick one inch wide blade. Rated by *American Woodworker* as "genius" and Best New Tool of 2004 (the PS-SP) these tapes are a practical addition to your toolbox.

Kitchen Accessories



Melamine

Shop Supplies

Description	Part Number
PMS 16' Metric/Standard	20-116
PMS 25' Metric/Standard	20-118
PS 16' Standard	20-120
PS 25' Standard	20-122

Compact shock-resistant rubber casing

Dual thumb & finger locks

Erasable note pad

Easy belt clip

Built-in stainless steel pencil sharpener

7 Innovative Features

High-contrast black on white or yellow scale

Heavy-duty 1" blade with 4 rivet construction



TriBlade

Never be without a sharp knife again!

- Comfortable, rubber grip
- Retractable, auto-locking snap-off blade
- Convenient blade storage in knife



Description	Order Number
TriBlade Utility Knife	20-124
Replacement Blades - 10 Pack	20-126

Cap Covers

3rd Hand HD & Little Hand HD



WARNING!
This product may make
your job & life easier.



NEW
Neoprene
Comfort
Grip!



every 1'
for positive
locking



NEW

Description	Order Number
3rd Hand HD (5' to 12' extension)	20-110
Little Hand HD (16.5" to 22.8" extension)	20-112
UniversalFOOT	20-114



SoftWax

Wax Filler System



SoftWax is a great way to fill
holes in finished woodwork!
The refillable kit comes with 20
blendable colors, a Wax-
Wedge and a buffing
pad.

Description	Order Number
SoftWax	20-148

Glü-Bot

The Glue Bottle that Sucks!



- No dripping
- Replaceable tips
- Vertical application
- Wide mouth for easy filling
- Wide bottom for extra stability
- Works with most glues and solvents

Description	Order Number
Glü-Bot	20-108

Breeze Tip



Solid Surface Glue Applicator

Description	Order Number
Breeze Tip 1/2" 10 Pack	20-128

Hinges

Drawer
Slides

Pulls
and
Knobs

Locks,
Catches,
Shelf
Hardware

Lights

Closet
and
Furniture
Hardware

Grommets

Kitchen
Accessories

Melamine

Shop
Supplies

Adhesives

Hinges

Drawer Slides

Pulls and Knobs

Locks, Catches, Shelf Hardware

Lights

Closet and Furniture Hardware

Grommets

Kitchen Accessories

Melamine

Shop Supplies



Spray Contact Adhesive



DATA SHEET

Product Description

HIT 63-636 & 63-864: is a high performance industrial contact spray adhesive formulated for bonding laminate in applications where retained tackiness is required.

HIT 63-636 & 63-864: is designed to deliver a smooth and strong bond in nearly any laminate application.

Applications

- Bond laminate to particle board, melamine, metals and most plastics
- Works well with Fiber Reinforced Laminate
- Applications where smoothness is required (e.g. glossy or thin laminate)
- Laminating flexible material in nearly any application
- Also bonds: veneers, cork, fiberglass and many plastics

Benefits

- Fast. High Tack
- Excellent high coverage
- 80% of final strength achieved immediately
- Full strength achieved in 24 hours
- Fast drying with long open time
- Excellent green strength and high heat resistance
- Over 220°F (105°C) temperature resistant
- No ODS (Ozone Depleting Substances)
- Qualifies for LEED®-NC & CI EQ Credit 4.4: laminating adhesives shall contain no urea formaldehyde resins
- OTC Compliant



Adhesives

DATA SHEET



Directions for Application

HIT 63-636 & 63-864 is designed as a portable, self-contained spray system for field or shop applications. Adhesive may be applied to one or both surfaces to be mated, 80% to 100% coverage. Allow enough time (2-4 minutes or until dry to the touch) for the adhesive to become tacky before bonding. Spraying one side gives lighter bond spraying both sides gives stronger bond. Parts should be mated with as much pressure as practical. Normal coverage required with web spray pattern is approximately 80%; however, porous surfaces may need a second coat. Initial bond is strong enough to allow cutting or trimming immediately although ultimate strength is achieved in 1-3 days. Canister system will spray adequately above 60° F. Canister system should be kept in warm area. In the event that the canister gets abnormally chilled, freezes or gives poor or sputtering spray, it should be warmed up before continued usage. Warming canister by immersion in warm water is recommended. Notice!!! Do not store at temperatures over 120° F.

Canister System Usage: When hose is connected, keep canister valve open and hose pressurized at all times. Do not disconnect the hose until ready to connect to new canister. Release pressure in hose before disconnecting from canister. If gun and hose must be stored unattached to pressurized canister, they may be cleaned for future use by attaching to canister of HIT 63-649 and flushing until clear.

Technical Data

VOC Content: 161 grams per liter
 Solids: 27% - 33% (Liquid)
 Appearance: Clear or Quin Blue
 Shelf Life: 15 Months
 Sizes: 14 oz Aerosol Can
 38# Disposable Canister
 177# Returnable Canister
 355# Returnable Canister
 Coverage: 43 ft²/lb

Order Number

63-636

Aerosols



Hinges

Drawer Slides

Pulls and Knobs

Locks, Catches, Shelf Hardware

Lights

Closet and Furniture Hardware

Grommets

Kitchen Accessories

Melamine

Shop Supplies

Adhesives

Hinges

Drawer Slides

Pulls and Knobs

Locks, Catches, Shelf Hardware

Lights

Closet and Furniture Hardware

Grommets

Kitchen Accessories

Melamine

Shop Supplies



Spray Contact Adhesive



DATA SHEET

Product Description

HIT **63-636** & **63-864**: is a high performance industrial contact spray adhesive formulated for bonding laminate in applications where retained tackiness is required.

HIT **63-636** & **63-864**: is designed to deliver a smooth and strong bond in nearly any laminate application.

Applications

- Bond laminate to particle board, melamine, metals and most plastics
- Works well with Fiber Reinforced Laminate
- Applications where smoothness is required (e.g. glossy or thin laminate)
- Laminating flexible material in nearly any application
- Also bonds: veneers, cork, fiberglass and many plastics

Benefits

- Fast. High Tack
- Excellent high coverage
- 80% of final strength achieved immediately
- Full strength achieved in 24 hours
- Fast drying with long open time
- Excellent green strength and high heat resistance
- Over 220°F (105°C) temperature resistant
- No ODS (Ozone Depleting Substances)
- Qualifies for LEED®-NC & CI EQ Credit 4.4: laminating adhesives shall contain no urea formaldehyde resins
- OTC Compliant



Adhesives

DATA SHEET



Directions for Application

HIT 63-636 & 63-864 is designed as a portable, self-contained spray system for field or shop applications. Adhesive may be applied to one or both surfaces to be mated, 80% to 100% coverage. Allow enough time (2-4 minutes or until dry to the touch) for the adhesive to become tacky before bonding. Spraying one side gives lighter bond spraying both sides gives stronger bond. Parts should be mated with as much pressure as practical. Normal coverage required with web spray pattern is approximately 80%; however, porous surfaces may need a second coat. Initial bond is strong enough to allow cutting or trimming immediately although ultimate strength is achieved in 1-3 days. Canister system will spray adequately above 60° F. Canister system should be kept in warm area. In the event that the canister gets abnormally chilled, freezes or gives poor or sputtering spray, it should be warmed up before continued usage. Warming canister by immersion in warm water is recommended. Notice!!! Do not store at temperatures over 120° F.

Canister System Usage: When hose is connected, keep canister valve open and hose pressurized at all times. Do not disconnect the hose until ready to connect to new canister. Release pressure in hose before disconnecting from canister. If gun and hose must be stored unattached to pressurized canister, they may be cleaned for future use by attaching to canister of HIT 63-649 and flushing until clear.

Technical Data

VOC Content:	161 grams per liter
Solids:	27% - 33% (Liquid)
Appearance:	Clear or Quin Blue
Shelf Life:	15 Months
Sizes:	14 oz Aerosol Can 38# Disposable Canister 177# Returnable Canister 355# Returnable Canister
Coverage:	43 ft ² /lb

Order Number

63-864

Canister



Hinges

Drawer Slides

Pulls and Knobs

Locks, Catches, Shelf Hardware

Lights

Closet and Furniture Hardware

Grommets

Kitchen Accessories

Melamine

Shop Supplies

Adhesives

Material Safety Data Sheet

Hinges

1. IDENTIFICATION

Drawer Slides



Manufactured for:
Hardware Imagination-Tech
(305) 635-3300
Miami FL 33142

Pulls and Knobs

EMERGENCY #
1.800.424.9300 (Chemtrec)

PRODUCT NAME

63-636

Locks, Catches, Shelf Hardware

RECOMMENDED USE:

Contact Adhesive

2. HAZARDOUS INGREDIENTS

Lights

Hazardous Components	Chemical Identity	%
Methylene Chloride	75-09-2	45-55
Hydrocarbon Propellant	68476-85-7	25-35

Closet and Furniture Hardware

3. HAZARDS IDENTIFICATION

3.1 EMERGENCY OVERVIEW

Immediate Health, Physical and Environmental Hazards: Containers exposed to high heat from fire or other sources may build pressure and explode. Vapors are extremely flammable.

Grommets

May cause target organ effects.

3.2 POTENTIAL HEALTH EFFECTS

Kitchen Accessories

Eye Effects: May cause eye irritation. Signs/Symptoms may include redness, swelling, tearing, and/or blurred vision.

Skin Contact: May cause Skin Irritation. Signs/symptoms may include localized redness, swelling, itching, and dryness.

Melamine

Inhalation: Respiratory Tract Irritation: Signs/symptoms may include cough, sneezing, nasal discharge, headache, hoarseness, and nose or throat pain. Intentional concentration and inhalation may be harmful or fatal. May be absorbed following inhalation and cause target organ effects.

Shop Supplies

Ingestion:

Gastrointestinal Irritation: Signs/symptoms may include abdominal pain, stomach upset, nausea, vomiting and diarrhea. May be absorbed following ingestion and cause target organ effects.

Material Safety Data Sheet

1. IDENTIFICATION



Manufactured for:
Hardware Imagination-Tech
(305) 635-3300
Miami FL 33142

EMERGENCY #
1.800.424.9300 (Chemtrec)

PRODUCT NAME

63-864

RECOMMENDED USE:

Contact Adhesive

2. HAZARDOUS INGREDIENTS

Hazardous Components	Chemical Identity	%
Methylene Chloride	75-09-2	45-55
Hydrocarbon Propellant	68476-85-7	25-35

3. HAZARDS IDENTIFICATION

3.1 EMERGENCY OVERVIEW

Immediate Health, Physical and Environmental Hazards: Containers exposed to high heat from fire or other sources may build pressure and explode. Vapors are extremely flammable.

May cause target organ effects.

3.2 POTENTIAL HEALTH EFFECTS

Eye Effects: May cause eye irritation. Signs/Symptoms may include redness, swelling, tearing, and/or blurred vision.

Skin Contact: May cause Skin Irritation. Signs/symptoms may include localized redness, swelling, itching, and dryness.

Inhalation: Respiratory Tract Irritation: Signs/symptoms may include cough, sneezing, nasal discharge, headache, hoarseness, and nose or throat pain. Intentional concentration and inhalation may be harmful or fatal. May be absorbed following inhalation and cause target organ effects.

Ingestion:

Gastrointestinal Irritation: Signs/symptoms may include abdominal pain, stomach upset, nausea, vomiting and diarrhea. May be absorbed following ingestion and cause target organ effects.

Target Organ Effects:

Central Nervous System (CNS) Depression: Signs/Symptoms may include headache, dizziness, drowsiness, nausea, slowed reaction time, slurred speech, giddiness and unconsciousness.

Hinges

Drawer Slides

Pulls and Knobs

Locks, Catches, Shelf Hardware

Lights

Closet and Furniture Hardware

Grommets

Kitchen Accessories

Melamine

Shop Supplies

Adhesives

Hinges

Drawer Slides

Pulls and Knobs

Locks, Catches, Shelf Hardware

Lights

Closet and Furniture Hardware

Grommets

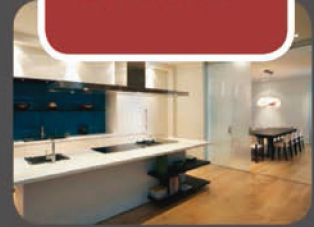
Kitchen Accessories

Melamine

Shop Supplies



High-Temperature Non-Flammable Contact Spray Adhesive



DATA SHEET

Product Description

HIT 63-864NF is a non-flammable high performance industrial spray contact adhesive formulated for bonding decorative HPL (high pressure laminate) to a variety of substrates.

HIT 63-864NF is designed to deliver a smooth and strong bond in nearly any laminate application while maintaining perfect non-flammable properties.

Applications

- Bond laminate to particle board, melamine, metals and most plastics
- Works well with FRL® (Fiber Reinforced Laminate)
- Applications where smoothness is required (e.g. glossy or thin laminate)
- Laminating flexible material in nearly any application
- Also bonds: veneers, cork, fiberglass and many plastics

Benefits

- Non-flammable
- Fast. High Tack
- Excellent high coverage
- 80% of final strength achieved immediately
- Full strength achieved in 24 hours
- Fast drying with long open time
- Excellent green strength and high heat resistance
- Over 220°F (105°C) temperature resistant
- No ODS (Ozone Depleting Substances)
- VOC free
- Qualifies for LEED®-NC & CI EQ Credit 4.4: laminating adhesives shall contain no urea formaldehyde resins
- OTC Compliant



Adhesives

DATA SHEET



Directions for Application

HIT 63-864NF is designed as a portable, self-contained spray system for field or shop applications. Adhesive should be applied to both surfaces to be bonded, 80% to 100% coverage. Allow to dry (2-4 minutes or until dry to the touch) parts should be mated under pressure. Apply pressure with a hand laminate roller or nip roller. Bonds should be made as soon practical. If adhesive is left to dry for over 2 hours, parts should be recoated. Normal coverage required with web spray pattern is approximately 80%; however, porous surfaces may need a second coat. Initial bond is strong enough to allow cutting or trimming immediately although ultimate strength is achieved in 1-3 days. Canister system will spray adequately above 60° F. Canister system should be kept in warm area. In the event that the canister gets abnormally chilled, freezes or gives poor or sputtering spray, it should be warmed up before continued usage. Warming canister by immersion in warm water is recommended. Notice!!! Do not store at temperatures over 120° F.

Canister System Usage: When hose is connected, keep canister valve open and hose pressurized at all times. Do not disconnect the hose until ready to connect to new canister. Release pressure in hose before disconnecting from canister. If gun and hose must be stored unattached to pressurized canister, they may be cleaned for future use by attaching to canister of HIT 63-649 and flushing until clear.

Technical Data

VOC Content:	0 grams per liter
Coverage:	Approx. 1700 – 2000 sq feet
Solids:	21-27% (Liquid)
Appearance:	Clear or Quin Blue
Shelf Life:	15 Months
Sizes:	13 oz Aerosol Can 34# Disposable Canister 155# Returnable Canister 308# Returnable Canister

Order Number

63-864NF



Hinges

Drawer Slides

Pulls and Knobs

Locks, Catches, Shelf Hardware

Lights

Closet and Furniture Hardware

Grommets

Kitchen Accessories

Melamine

Shop Supplies

Adhesives

Hinges

Drawer Slides

Pulls and Knobs

Locks, Catches, Shelf Hardware

Lights

Closet and Furniture Hardware

Grommets

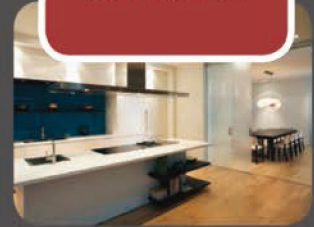
Kitchen Accessories

Melamine

Shop Supplies



Polystyrene-Safe
Contact Spray Adhesive



DATA SHEET

Product Description

HIT 63-682 is a high performance contact adhesive designed for bonding polystyrene and other substrates.

HIT 63-682 will not attack polystyrene while keeping the typical strength and permanency characteristic of the Tensorgrip brand.

Applications

- Bonding expanded polystyrene
- Fabrics and upholstery
- Foam, cork and some plastics

Benefits

- Will not attack polystyrene
- Water resistant
- Fast tack
- Permanent bond
- 80% of final strength achieved immediately
- Full strength achieved in 24 hours
- No chlorinated solvents
- No ODS (ozone depleting substances)

Adhesives

DATA SHEET



Directions for Application

HIT 63-682 is designed as a portable, self-contained spray system for field or shop applications. Adhesive should be applied to both surfaces to be bonded, allowed to dry (5-10 minutes or until dry to touch) then parts mated under pressure. Bonds should be made as soon as practical. If adhesive is left to dry for over 2 hours, parts should be recoated. Normal coverage required with lacing spray pattern is approximately 80%; however porous surfaces may need a second coat. Initial bond is strong enough to allow cutting or trimming immediately although ultimate strength is achieved in 1-3 days. Canister system will spray adequately above 60° F. Canister system should be kept in warm area. In the event that the canister gets abnormally chilled, freezes or gives poor or sputtering spray, it should be warmed up before continued usage. Warming canister by immersion in warm water is recommended. Notice!!! Avoid direct flame or exposure to excessive heat. Do not store at temperatures over 120° F. Not for use on flexible vinyl or polystyrene foam.

Canister System Usage: When hose is connected, keep canister valve open and hose pressurized at all times. Do not disconnect the hose until ready to connect to new canister. Release pressure in hose before disconnecting from canister. If gun and hose must be stored unattached to pressurized canister, they may be cleaned for future use by attaching to canister of HIT 63-649 and flushing until clear.

Hinges

Drawer Slides

Pulls and Knobs

Locks, Catches, Shelf Hardware

Lights

Closet and Furniture Hardware

Grommets

Kitchen Accessories

Melamine

Shop Supplies

Technical Data

VOC Content:	568 g/L
Solids:	25-32%
Appearance:	Blue or Clear Liquid
Solvent System:	Acetone/Hexane
Shelf Life:	15 Months
Sizes:	13 oz Aerosol
	9# Disposable Canister
	30# Disposable Canister
	160# Returnable Canister
	300# Returnable Canister
Coverage:	87 ft ² /lb



Order Number

63-682

Aerosols

Adhesives

Hinges

Drawer Slides

Pulls and Knobs

Locks, Catches, Shelf Hardware

Lights

Closet and Furniture Hardware

Grommets

Kitchen Accessories

Melamine

Shop Supplies

DATA SHEET



High-Temperature Non-Flammable
Sprayable Contact Adhesive



Product Description

HIT **63-986** is a non-flammable high performance, sprayable industrial contact adhesive formulated for laminating and contact bonding.

HIT **63-986** is designed for laminate and general bonding to many substrates via traditional bulk spray equipment.

Applications

- Laminating for furniture, fixtures, cabinets and casework
- Bonds laminate to particle board; including melamine, metals and most plastics
- Works well on most types of urethane and neoprene
- Also bonds: leather, veneers, fabrics, upholstery, foam, cork, fiberglass and many plastics
- Laminating flexible material in nearly any application

Benefits

- Non-flammable
- Long open time
- Oil resistant
- 80% of final strength achieved immediately
- Full strength achieved in 24 hours
- Fast drying with long open time (30-45 minutes)
- Excellent green strength
- High temperature resistant
- No ODS (Ozone Depleting Substances)



Order Number

63-986

5 Gal

Adhesives

DATA SHEET



Directions for Use

HIT 63-986 should be applied to both surfaces to be bonded, 80% to 100% coverage. Allow to dry (until dry to the touch) parts should be mated under pressure. Apply pressure with a hand laminate roller or nip roller. Bonds should be made as soon practical. If adhesive is left to dry for over 30 minutes, parts should be recoated. Normal coverage required with web spray pattern is approximately 80%; however, porous surfaces may need a second coat. Initial bond is strong enough to allow cutting or trimming immediately although ultimate strength is achieved in 1-3 days. Store away from heat, flames or other sources of ignition.

Technical Data

VOC Content:	401 gm/l (3.36#/gal)
Solids:	15-20% (Liquid)
Viscosity:	250-300 cps
Appearance:	Clear/Neutral
Shelf Life:	12 Months
Solvent:	Non-Flammable
Weight:	6.63#/gal
Sizes:	1 gallon can 5 gallon pail 55 gallon drum

Order Number

63-986

5 Gal



Hinges

Drawer Slides

Pulls and Knobs

Locks, Catches, Shelf Hardware

Lights

Closet and Furniture Hardware

Grommets

Kitchen Accessories

Melamine

Shop Supplies

Adhesives

Hinges

Drawer Slides

Pulls and Knobs

Locks, Catches, Shelf Hardware

Lights

Closet and Furniture Hardware

Grommets

Kitchen Accessories

Melamine

Shop Supplies



Bio-Safe Citrus Solvent/Cleaner



DATA SHEET

Product Description

HIT 63-649 is a bio-safe citrus solvent/cleaner, degreaser and adhesive remover.

HIT 63-649 is designed to safely and powerfully remove adhesives and other tough substances. Available in small canisters for purging adhesive spray equipment.

Applications

- Degreasing and adhesive removal
- Can be used safely on most surfaces
- Cleaning of hoses, spray guns and other adhesive equipment
- Decal residue removal – safe for powder-coated surfaces

Benefits

- Safer to use than most cleaners/adhesive removers
- Exceptional cleaning/degreasing power
- Non-corrosive
- Biodegradable
- Pleasant citrus scent
- Compatible with most plastics
- No ODS (Ozone Depleting Substances)

Citrus cleaner/adhesive remover for purging guns & hoses as well as general cleanup - like spills, grease, decal removal and more! Safe & strong for many surfaces.

Order Number

63-649

Citrus cleaner/adhesive remover

Adhesives

DATA SHEET

Directions for Application

HIT 63-649 can be sprayed on and wiped off. Wash off any remaining residue with water. This Citrus Cleaner can be safely used on most surfaces, including painted surfaces, glass, porcelain, concrete, and many plastics and vinyls. To clean adhesive application hoses and guns, attach the hose and gun to a canister of HIT 63-649 and flush until clear (about 45 seconds; shown below). An 8lb canister will work for approximately 8 purges; 22L size works for approximately 28 purges. The product will not be damaged by freezing. Warm up to room temperature for use.

Canister System Usage: When hose is connected, keep canister valve open and hose pressurized at all times. Do not disconnect the hose until ready to connect to new canister. Release pressure in hose before disconnecting from canister. If gun and hose must be stored unattached to pressurized canister, they may be cleaned for future use by attaching to canister of S101 and flushing until clear.

Technical Data

Color:	Clear Liquid
Base:	Solvent Mixture
Solvent:	d-limonene
Specific Gravity:	0.73 to 0.77 gm/L 6.0 to 6.4 lbs/gal
Packaging:	13 oz Aerosol 8 lb Canister 22L Canister 1 Gallon Bulk

Hinges

Drawer Slides

Pulls and Knobs

Locks, Catches, Shelf Hardware

Lights

Closet and Furniture Hardware

Grommets

Kitchen Accessories

Melamine

Shop Supplies

Adhesives

Hinges

Titebond Original Wood Glue

Titebond Original Wood Glue is the industry standard for woodworking. It provides a strong initial tack and fast speed of set to reduce clamp time. It also develops a bond stronger than the wood itself, offers excellent sandability and is unaffected by finishes.

Drawer Slides

Titebond Original can help any woodworker achieve professional-looking results. It is ideal for wood, hardboard, particleboard, leather, cloth and most other porous materials.

Pulls and Knobs

Titebond Original is easy to use, non-toxic and cleans up with water.

Product Features:

- Fast set - Shortens clamp time
- Bonds stronger than wood
- Solvent-resistant
- Excellent sandability
- Unaffected by finishes
- Easy cleanup with water
- FDA approved for indirect food contact

Locks, Catches, Shelf Hardware

Lights

Order Number	Wood Glue
63-900	16 oz.
63-902	1 GAL
63-904	5 GAL

Closet and Furniture Hardware

Grommets

Application Temperature

Above 50°F.

Open Assembly Time

4-6 minutes (70°F./50%RH)

Total assembly time

10-15 minutes (70°F./50%RH)

Kitchen Accessories

Minimum required spread

Approximately 6 mils or 250 square feet per gallon

Melamine

Required clamping pressure

Enough to bring joints tightly together (generally, 100-150 psi for softwoods, 125-175 psi for medium woods and 175-250 psi for hardwoods)

Method of Application

Plastic bottles for fine applications; glue may also be spread with a roller spreader or brush.

Shop Supplies

Cleanup

Damp cloth while glue is wet. Scrape off and sand dried excess.



Adhesives

Titebond II Premium Wood Glue

Titebond II Premium Wood Glue is the only leading brand, one-part wood glue that passes the ANSI Type II water-resistance specification. It is ideal for exterior woodworking projects, including outdoor furniture, birdhouses, mailboxes, planters and picnic tables.

Titebond II Premium provides a strong initial tack, fast speed of set, superior strength and excellent sandability. It is FDA approved for indirect food contact (cutting boards) and is ideal for radio frequency (R-F) gluing systems.

Product Features:

- First one-part wood glue to pass ANSI Type II water-resistance
- Designed for exterior use
- Excellent sandability
- Unaffected by finishes
- FDA approved for indirect food contact
- Ideal for radio frequency (R-F) and hot press gluing systems
- Easy cleanup with water

Order Number	Wood Glue
63-905	16 oz.
63-907	1 GAL
63-909	5 GAL

Application Temperature
Above 55°F.

Open Assembly Time
3-5 minutes (70°F./50%RH)

Total assembly time
10-15 minutes (70°F./50%RH)

Minimum required spread
Approximately 6 mils or 250 square feet per gallon

Required clamping pressure
Enough to bring joints tightly together (generally, 100-150 psi for softwoods, 125-175 psi for medium woods and 175-250 psi for hardwoods)

Method of Application
Plastic bottles for fine applications; glue may also be spread with a roller spreader or brush.

Cleanup
Damp cloth while glue is wet. Scrape off and sand dried excess.



Hinges

Drawer Slides

Pulls and Knobs

Locks, Catches, Shelf Hardware

Lights

Closet and Furniture Hardware

Grommets

Kitchen Accessories

Melamine

Shop Supplies

Adhesives

Hinges

Titebond III Ultimate Wood Glue

Titebond III Ultimate Wood Glue is the first one-part, water cleanup wood glue ever offered that is proven waterproof. The waterproof formula passes the ANSI/HPVA Type I water-resistance specification and offers superior bond strength, longer open assembly time and lower application temperature.

Drawer Slides

Pulls and Knobs

Titebond III is non-toxic, solvent free and cleans up with water - safer to use than traditional waterproof wood glues. It provides strong initial tack, sands easily without softening and is FDA approved for indirect food contact (cutting boards). The ultimate in wood glues - ideal for both interior and exterior applications.

Locks, Catches, Shelf Hardware

Product Features:

- Passes ANSI/HPVA Type I water-resistance
- Waterproof formula that cleans up with water
- Superior strength - Strong initial tack
- Designed for interior and exterior applications
- Longer open assembly time
- Lower application temperature
- Unaffected by finishes
- FDA approved for indirect food contact

Lights

Closet and Furniture Hardware

Order Number	Wood Glue
63-948	16 oz.
63-949	1 GAL
63-959	5 GAL

Grommets

Application Temperature

Above 47°F.

Kitchen Accessories

Open Assembly Time

8-10 minutes (70°F./50%RH)

Total assembly time

20-25 minutes (70°F./50%RH)

Melamine

Minimum required spread

Approximately 6 mils or 250 square feet per gallon

Required clamping pressure

Enough to bring joints tightly together (generally, 100-150 psi for softwoods, 125-175 psi for medium woods and 175-250 psi for hardwoods)

Shop Supplies

Method of Application

Plastic bottles for fine applications; glue may also be spread with a roller spreader or brush.

Cleanup

Damp cloth while glue is wet. Scrape off and sand dried excess.



Adhesives

GREENchoice Neoprene Plus Contact Cement

TitebondR GREENchoice™ Neoprene Plus Contact Cement is a fast-grab, nonflammable adhesive that spreads easily over large surfaces. This post-forming, heat resistant adhesive specializes in bonding decorative laminate, veneer, leather and rubber sheeting to plywood, particleboard and other wood based composites. Its fast set and professional strength allows for immediate trimming, cut filling or machining after application.

Neoprene Plus Contact Cement is VOC-compliant and meets GreenSeal GS-36 product specification, making it non-toxic and non-harmful to the environment. It contributes to habitat and resource conservation and does not contain harmful carcinogens or emit dangerous fumes into the atmosphere. This product does not give off a strong offensive odor and cleans up easily with water while wet.

Titebond GREENchoice Neoprene Plus Post-forming Contact Cement is available in both neutral/clear and blue/green.

Product Features:

- Superior bond strength
- Environmentally safe - Zero-VOC
- Bonds plastic laminates, veneers & post-forming
- Easy water clean-up - Low odor

Order Number	Green Contact Cement
63-910	1 Qt.
63-911	1 GAL

Application Temperature
Above 55°F.

Open Assembly Time
3-5 minutes (70°F./50%RH)

Total assembly time
10-15 minutes (70°F./50%RH)

Minimum required spread
Approximately 6 mils or 250 square feet per gallon

Required clamping pressure
Enough to bring joints tightly together (generally, 100-150 psi for softwoods, 125-175 psi for medium woods and 175-250 psi for hardwoods)

Method of Application
Plastic bottles for fine applications; glue may also be spread with a roller spreader or brush.

Cleanup
Damp cloth while glue is wet. Scrape off and sand dried excess.



Hinges

Drawer Slides

Pulls and Knobs

Locks, Catches, Shelf Hardware

Lights

Closet and Furniture Hardware

Grommets

Kitchen Accessories

Melamine

Shop Supplies

Adhesives

Titebond Wood Filler

Hinges

Titebond Wood Filler is ideal for the repair of cracks, holes, chips and other defects in any type of wood surface. It hardens like wood and effectively holds nails, screws and tacks. The repaired area can also be cut, sawed, planed, drilled and sanded easily.

Drawer Slides

Titebond Wood Filler dries to a neutral color, and can be painted, stained or finished. The latex based formula is nonflammable, easy to apply and cleans up with water. It also resists shrinking and cracking, a common problem with lower-quality filler products

Pulls and Knobs

Product Features:

Locks, Catches, Shelf Hardware

- Latex formula is stronger than solvent-based products
- Excellent sandability when dry
- Can also be cut, sawed, planed or drilled
- Nonflammable
- Hardens like wood
- Accepts stains easily
- Cleans up with water

Lights

Closet and Furniture Hardware

Order Number	Wood Filler
63-920	8 oz.

Application Temperature

40°F. to 100°F. for wood filler and substrates.

Grommets

Service Temperature Range

-20°F to 200°F.

Kitchen Accessories

Method of Application

Spatula, putty knife

Container sizes

4, 8 and 16 oz. plastic containers.

Melamine

Working Surfaces

Should be free of excessive dirt and dust. Do not apply to finished surfaces.

Working Time

Approximately 10 minutes, depending upon temperature and humidity.

Shop Supplies

Cleanup

Water when wood filler is still wet. Sand off excess wood filler if dried.



Adhesives, Solvents & Abrasives

Adhesives

Titebond Carpenter Yellow Glue

Features

- Fast set - Shortens clamp time
- Bonds stronger than wood
- Excellent heat and solvent-resistance
- Excellent sandability
- Unaffected by finishes
- Versatile - Bonds wood, hardboard, high pressure laminates and particleboard
- Easy cleanup with water

Order Number	YELLOW GLUE
63-144	1 GAL
63-146	5 GAL
63-176	QUART (DAP)



Hinges

Drawer Slides

Pulls and Knobs

Locks, Catches, Shelf Hardware

Lights

Closet and Furniture Hardware



ORDER NUMBER	DESCRIPTION	SIZE
63-180	Lacquer Thinner	1 Gallon
63-254	Lacquer Thinner	5 Gallon
63-182	Contact Cleaner	1 Gallon
63-184	Contact Cleaner	5 Gallon
63-262	Mineral Spirits	1 Gallon
63-280	Mineral Spirits	5 Gallon



55 Gallon drums available by special order

Solvents

Wash Thinner

To clean spray guns and equipment

ORDER NUMBER

63-168

5 Gallons



Grommets

Kitchen Accessories

Melamine

Shop Supplies

Adhesives, Solvents & Abrasives

Adhesives

Hinges **DAP® Weldwood® Original Contact Cement**

Premium quality, brush grade, neoprene-based contact cement that meets the stringent requirements of the professional user. High strength and initial grab make it ideal for most projects. Fast-drying formula dries in 15-20 minutes.

Drawer Slides
Offers high heat and water resistance when dry. Exceeds industry performance requirements. Conveniently available in quarts, gallons and larger containers.

Pulls and Knobs
Locks, Catches, Shelf Hardware
1 Quart Order Number **63-308**
1 Gallon Order Number **63-138**



Lights

Closet and Furniture Hardware **951 Flatwork Spray Grade Contact Adhesive**

Features

- Professional use only
- Flatwork applications (non-postforming)

Grommets

- Designed for economy and efficiency for non-postforming high speed applications
- Easy sprayability
- Aggressive tack

Kitchen Accessories

5 Gallon Order Number **63-996W**
55 Gallon Order Number **63-998W**

Melamine

"Lockweld Brand" Made in USA

5 Gallon Order Number **63-990**
55 Gallon Order Number **63-992**



Shop Supplies

Adhesives, Solvents & Abrasives



Complete List of Standard SeamFil® Colors Available



SeamFil® KITS

ORDER NUMBER	DESCRIPTION
63-186	Standard Colors
63-188	Woodgrain

SeamFil® SOLVENTS

ORDER NUMBER	DESCRIPTION
63-190	1/2 Pint Solvent
63-192	1 Quart Solvent
63-194	1 Gallon Solvent

DRYING RETARDER
Order Number.....63-196

ORDER NUMBER	COLOR	KAMPEL NUMBER
63-198	White	901
63-200	Gray	902
63-202	Dark Gray	903
63-204	Tan	904
63-210	Brown	913
63-212	Black	914
63-218	Mahogany	918
63-220	Pink	919
63-232	Maple	931
63-236	Teak	933
63-238	Gray Walnut	934
63-240	Birch	935
63-242	Primary Yellow	936
63-248	Olive	939
63-250	Orange	940
63-252	Almond	941
63-270	Clear Mixer (gloss)	943
63-264	Spectrum Green	945
63-266	Spectrum Blue	946
63-272	Butcher Block	942

FOR REPAIR OF ALL LAMINATED PLASTICS

Fill in seams ...seal joints ...repair defects ...add the perfect finishing touch to laminated plastic surfaces with Kampel SeamFil. You'll be delighted with the results. Match any laminate pattern, color, or woodgrain, by applying SeamFil directly, or, in some cases, by easily mixing several colors using the color guide. Kits, guides and other Seamfil accessories are available from your distributor.



CAULKING

ColorFlex Standard Line – Order Information

ORDER NUMBER	COLOR	KAMPEL NUMBER	ORDER NUMBER	COLOR	KAMPEL NUMBER	ORDER NUMBER	COLOR	KAMPEL NUMBER
63-700	White	CF8001	63-774	Indigo	CF8152	63-826	Sand	CF8029
63-702	Putty Grey	CF8017	63-784	Sea Green	CF8117	63-828	Grey Suede	CF8081
63-704	Pumice	CF8193	63-788	Leaf Green	CF8124	63-830	Hickory	CF8086
63-706	Almond	CF8008	63-796	Butcherblock	CF8044	63-832	Coffee	CF8077
63-708	Beige	CF8013	63-798	Peanut	CF8053	63-834	Black	CF8219
63-710	Desert	CF8021	63-800	Praline	CF8057	63-840	Mahogany	CF8047
63-712	Khaki	CF8042	63-802	Buckskin	CF8160			
63-730	Terra Cotta	CF8063	63-804	Chamois	CF8040			
63-748	Blush	CF8180	63-806	Teak	CF8174			
63-770	Blue Iris	CF8146	63-808	Ginger	CF8072			
63-772	Royal Blue	CF8154	63-812	Fudge	CF8171			
			63-814	Chocolate	CF8173			
			63-816	Platinum	CF8199			
			63-818	Dolphin	CF8198			
			63-820	Metal Grey	CF8209			
			63-822	Charcoal	CF8212			
			63-824	Sable	CF8218			



Hinges

Drawer Slides

Pulls and Knobs

Locks, Catches, Shelf Hardware

Lights

Closet and Furniture Hardware

Grommets

Kitchen Accessories

Melamine

Shop Supplies

Adhesives, Solvents & Abrasives

Adhesives

DAP® ALEX PLUS® Acrylic Latex Caulk Plus Silicone

Hinges

Superior quality, multi-purpose acrylic latex caulk plus silicone. Highly flexible and durable. Excellent adhesion. Cured caulk is mildew resistant. Interior/exterior use. Paintable.

Drawer Slides

Water clean-up. 35 Year Durability Guarantee. Exceeds ASTM Specification C 834.

Pulls and Knobs

ORDER NUMBER	COLOR
*63-158	WHITE
63-148	ALMOND
63-150	BROWN
63-154	GRAY
63-156	CEDER TAN
63-152	BLACK
63-164	CLEAR

Locks, Catches, Shelf Hardware

Lights

***63-158**.....Titebond



Closet and Furniture Hardware

TITE BOND Silicone Sealant

Superior quality, multi-purpose sealant. Offers long-lasting flexibility and excellent adhesion. Provide a weatherproof, watertight seal. Resists cracking, crumbling and chalking. Interior/exterior use. 50 Year Durability Guarantee. Meets Federal Specification TT-S-001543A, Class A



DAP® Silicone Sealant

ORDER NUMBER	COLOR
63-166	CLEAR

DAP® KWIK SEAL® Tub & Tile Adhesive Caulk

DAP® Kwik Seal® Tub & Tile Adhesive Caulk Bonds like a glue and seals like a caulk. Provides a durable, watertight seal. Excellent adhesion and flexibility. Tools easily. Cured caulk is mildew resistant. Paintable. Easy water clean-up



5.4 Oz. DAP® Kwik Seal® Tub & Tile

ORDER NUMBER	COLOR
63-174	WHITE
63-350	ALMOND

TITE BOND Construction Adhesive

A high-strength, weatherproof adhesive specifically formulated for heavy-duty general construction, remodeling, maintenance and repair projects. VOC compliant. Instant Grab formulation holds projects in place instantly, reducing bracing requirements. It bonds to a wide variety of substrates and provides a heat and water-resistant bond. Meets ASTM Specification C 557. It is low odor and cleans up easily with soap and water. Interior/exterior use.



DAP® Beats the Nail®

ORDER NUMBER	DESCRIPTION
63-160	HEAVY DUTY
63-162	ALL-PURPOSE

Grommets

Kitchen Accessories

Melamine

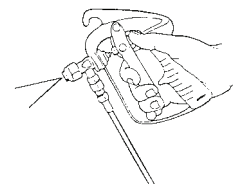
Shop Supplies

Adhesives, Solvents & Abrasives

Adhesives



High Solid Spray Gun without Tip63-648



Application Equipment

ORDER NUMBERS

Stainless Steel Spray Gun with Tip.....	63-647
High Solid Spray Gun without Tip.....	63-648
Gun Tip for 63-648.....	63-614
6' Hose.....	63-606
12' Hose.....	63-608
18' Hose.....	63-610

Hinges

Drawer Slides

Pulls and Knobs

Locks, Catches, Shelf Hardware

Lights

SAFETY MASKS

Features:

- Masks – single strap
- Respirators – double strap for secure, comfortable fit; soft inner lining, triple shell construction
- Masks and Respirators – adjustable nosepiece and inner foam for comfortable fit

Benefits:

- Masks – protect against pollen, house dust and cut grass
- Respirators – protect against dust and mists during sanding operations and use of fiberglass insulation
- Respirators – type N95 NIOSH approved

Safety Products



Masks & Particulate Respirators

ORDER NUMBER	DESCRIPTION	PCS/BOX	BOX/CASE
47-142	Dust Masks	50	12
47-146	N95 Particulate Respirator	20	12
47-156	N95 Valved Part. Respirator	10	12

Closet and Furniture Hardware

Grommets

Kitchen Accessories

Melamine



MERCER ABRASIVES®

A DIVISION OF MERCER TOOL CORP.

GLOVES

Vinyl Gloves

ORDER NUMBER	SIZES	PCS/BOX	BOX/CASE
47-366	S, M, L, XL	100	10



Shop Supplies

Adhesives, Solvents & Abrasives

Abrasives



Hinges

- Gold Is Designed For Finishing And Heavy Stock Removal.
- The Durable Aluminum Oxide Grain Delivers A Fast, Exceptionally Long Lasting Cut.
- Proprietary Backing Is Stronger Than Other Competitive Brands Using Traditional Backing.
- High Strength Resin Bonding For Superior Grain Support.
- A Special Stearate Coating Is Used To Maximize Resistance To Clogging And LOADING.
- A Uniform, Semi Open Coat Design Produces An Even, Consistent Scratch Pattern.

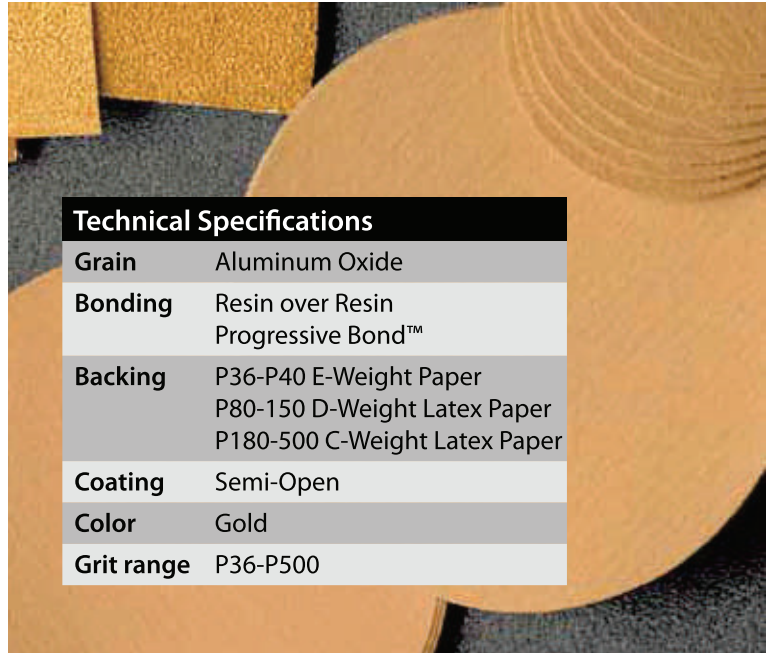
Drawer Slides

Pulls and Knobs

5" AUTONET MESH ABRASIVES DISC

Item Number	Description
63-460	80 Grit
63-462	180 Grit
63-464	320 Grit

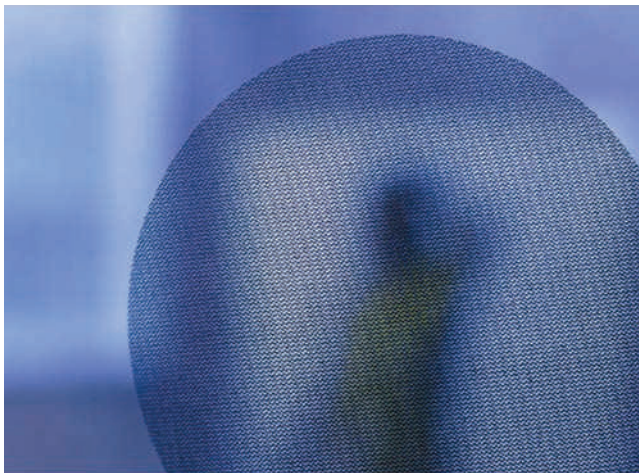
Locks, Catches, Shelf Hardware



Technical Specifications	
Grain	Aluminum Oxide
Bonding	Resin over Resin Progressive Bond™
Backing	P36-P40 E-Weight Paper P80-150 D-Weight Latex Paper P180-500 C-Weight Latex Paper
Coating	Semi-Open
Color	Gold
Grit range	P36-P500

Lights

Closet and Furniture Hardware



AUTONET MESH ABRASIVES DISC

Grommets

5" GOLD PSA Disc No Hole

Item Number	Description
63-502	80 Grit
63-504	120 Grit
63-505	150 Grit
63-506	180 Grit
63-508	220 Grit
63-510	320 Grit

Kitchen Accessories

Melamine

5" GOLD VELCRO Disc No Hole

Item Number	Description
63-512	80 Grit
63-514	120 Grit
63-515	150 Grit
63-516	180 Grit
63-518	220 Grit
63-520	320 Grit

Shop Supplies



MIRKA GOLD ABRASIVES DISC

Adhesives, Solvents & Abrasives



MIRKA

Abrasives

Portable Belts

- Hiolit X-Weight Cloth Belts Are Designed For Maximum Performance.
- Belts Are Fully Resin Bonded To Maximize Performance Life In Machine Sanding Operations.
- The Rigid Cotton Cloth Backing Is Highly Tear Resistant.
- The Grit Configuration Removes Stock Quickly, While Producing A High Quality Surface Finish.
- Durable Aluminum Oxide Grain Delivers An Exceptionally Long Lasting Cut.
- Available In 2.5", 3" And 4" Widths.



Hinges

Drawer Slides

Pulls and Knobs

Locks, Catches, Shelf Hardware

Lights

Closet and Furniture Hardware

Grommets

Kitchen Accessories

Melamine

Shop Supplies

3" x 21" Heavy Duty Abrasive Belts		9" x 11" Silicon Carbide Sheet	
Item Number	Description	Item Number	Description
63-102	40 Grit	63-161	100 Grit
63-104	50 Grit	63-167	180 Grit
63-106	60 Grit	63-175	320 Grit
63-108	80 Grit	5" PSA Discs Silicon Carbide	
63-110	100 Grit	Item Number	Description
3" x 24" Heavy Duty Abrasive Belts		63-421	80 Grit
Item Number	Description	63-423	100 Grit
63-112	40 Grit	63-425	120 Grit
63-114	50 Grit	63-427	150 Grit
63-116	60 Grit	63-429	180 Grit
63-118	80 Grit	63-431	220 Grit
63-120	100 Grit	63-433	320 Grit
4" x 24" Heavy Duty Abrasive Belts		5" PSA Cloth Discs	
Item Number	Description	Item Number	Description
63-122	40 Grit	63-420	80 Grit
63-124	50 Grit	63-422	100 Grit
63-126	60 Grit	63-424	120 Grit
63-128	80 Grit	63-426	150 Grit
63-130	100 Grit	63-428	180 Grit
9" x 11" Aluminum Oxide Sheet		63-430	220 Grit
Item Number	Description		
63-133	100 Grit		
63-137	150 Grit		
63-141	220 Grit		
63-147	320 Grit		
9" x 11" Silicon Carbide Waterproof			
Item Number	Description		
63-143	270 Grit		
63-145	320 Grit		
63-149	400 Grit		
63-155	800 Grit		

Abrasives

Hinges

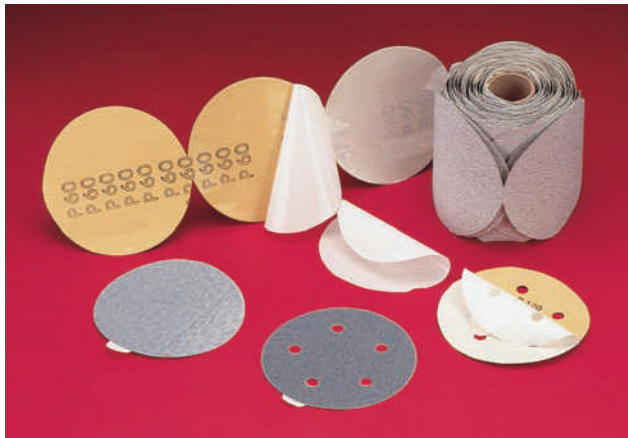
Platinum Stearated Non-LOADing Discs – PSA

Drawer Slides

Discs Rolls No Dust Holes

6" DISCS	GRIT/WT	PCS/BX	BX/CASE
63-474	120	100	10
63-480	180	100	10
63-482	220	100	10
63-470	80	100	10

6" Discs for Porter-Cable # 7336 and all 6" Air D-A Machines



Locks, Catches, Shelf Hardware



Lights

Benefits:

- Prevents LOADING
- Excellent finish
- Highly flexible latex paper backing protects disc
- Strength of adhesion
- Heat resistant
- Quick change

Features:

- Silicon Carbide grain
- Platinum stearate
- Individual peall-off backing
- Heavy C-wt. paper
- Resin on resin bond

Closet and Furniture Hardware

Premium Gold Stearated Non-LOADing Discs – PSA

Grommets

Kitchen Accessories

Melamine

Shop Supplies



Single Discs with Tabs

No Dust Holes

6" DISCS	GRIT/WT	PCS/BX	BX/CASE
63-471	80C	100	10
63-473	100C	100	10
63-475	120C	100	10
63-477	150C	100	10
63-479	180C	100	10
63-481	220C	100	10
63-483	320C	100	10

6" Discs for Porter-Cable # 7336 and all 6" Air D-A Machines



Adhesives, Solvents & Abrasives

9 x 11 Garnet Paper Sheets



Features:

- Natural Garnet abrasive
- Resin on resin bond
- High quality latex-backed paper
- Open coat

Benefits:

- Soft & sure cutting
- Resists moisture and heat
- Resists LOADING



ORDER NUMBER	GRIT/WT.	PCS/BOX	BOX/CASE
63-121	80A	100	10
63-125	120A	100	10
63-129	180A	100	10
63-131	220A	100	10

Hinges

Drawer Slides

Pulls and Knobs

6" Bulldog Gold



Technical Specifications

Grain	Aluminum Oxide
Bonding	Resin over Resin Progressive Bond™
Backing	P36-P40 E-Weight Paper P80-150 D-Weight Latex Paper P180-500 C-Weight Latex Paper
Coating	Semi-Open
Color	Gold
Grit range	P36-P500

6" GOLD VELCRO Disc No Hole

Item Number	Description
63-540	80 Grit
63-542	120 Grit
63-544	180 Grit
63-546	220 Grit
63-548	320 Grit

The Above Items Available Upon Request

Locks, Catches, Shelf Hardware

Lights

Closet and Furniture Hardware

Grommets

Kitchen Accessories

5" Finishing Sander



- Mirka's finishing sanders are constructed of precision molded composites for strength and durability, while reducing operator fatigue. This construction also reduces sound for increased comfort.
- True 12,000 rpm performance -for maximum productivity.
- Each model is counter-balanced for its specific size backup pad.
- Features moisture-resistant composite rotors, and premium counterweight bearings for long life and superior reliability.

ORDER NUMBERS

5" Finishing Sander (5mm, 3/16" orbit)**63-500**

Melamine

Shop Supplies

Our Friendly Staff Is Here To Serve You...



HARDWARE Imagination-Tech

1Source

270,000 Sq. Ft. aprax.
Largest Distributor in Florida!



MIAMI
43,000 Sq Ft



TAMPA
65,000 Sq Ft



ORLANDO
60,000 Sq Ft



WEST PALM
22,000 Sq Ft



POMPANO BEACH
60,000 Sq Ft



SARASOTA
21,000 Sq Ft



ROANOKE, VA
25,000 Sq Ft



Miami
4300 NW 37th AVE.
Miami, FL. 33142
305-635-3300

Pompano Beach
1040 SW 10th Ave.
Pompano Beach, FL. 33069
954-581-0444

West Palm
2250 Australian Ave.
Riviera Beach, FL. 33404
561-844-2277

Orlando
7701 Southland Blvd Unit 302
Orlando, FL. 32809
407-855-2282

Tampa
5012 West Knollwood Street
Tampa, FL. 33634
813-882-0322

Sarasota
1575 Cattlemen Road
Sarasota, FL. 34232
941-371-5238

Thomasville, North Carolina
4850 McWay Court
Thomasville, NC, 27360
336-476-0200

Gastonia, North Carolina
1442 Castle Ct.
Gastonia, NC. 28052
704-917-0490

Roanoke, Virginia
3330 Hollins Road NE Unit F
Roanoke, VA. 24012
540-986-2200

