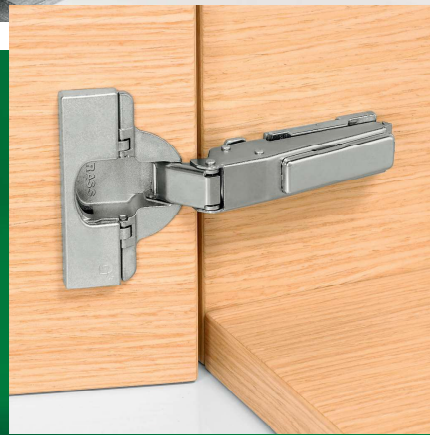
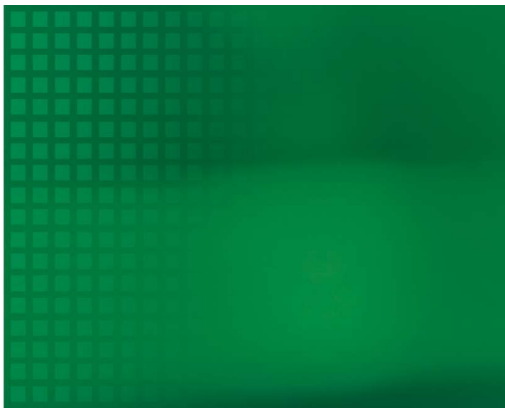


# HARDWARE Imagination-Tech

1Source

G\*GRASS®



**GRASS PRODUCTS -  
OFFERED AT HIT.**  
HINGES, DRAWER SYSTEMS  
AND LIFTER SYSTEMS

[www.hardwareimagination-tech.com](http://www.hardwareimagination-tech.com)

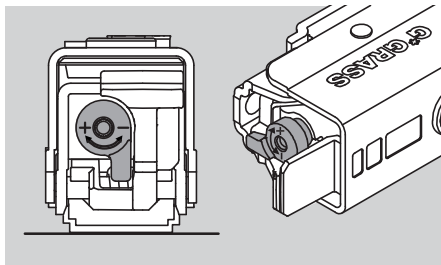


## GRASS TIOMOS HINGES

### Quick and Easy to Install!

With the Tiomos hinge, Grass opens a new chapter in functional hardware which will inspire cabinet makers of the future. Years of research have been dedicated in developing this generation of concealed hinges making sure that every detail, every function, and every mechanism is in perfect unison with each other. The result is excellence in a hinge system which meets and surpasses the technical and functional requirements of tomorrow's hardware.

Soft-closing performance can be regulated for any door size and weight with the Tiomos adjustable integrated Soft-close. Depending upon the requirement, the Soft-close settings can be adjusted easily and without tools. With 2 hinges there are 6 Soft-close settings.

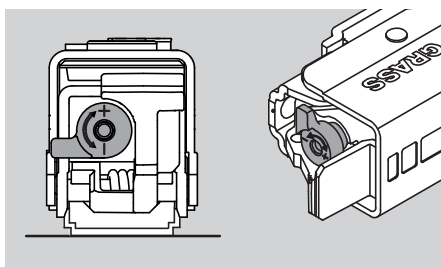


#### Light Setting

Adjustment lever points toward the cabinet wall

Appropriate for:

- Small, light doors



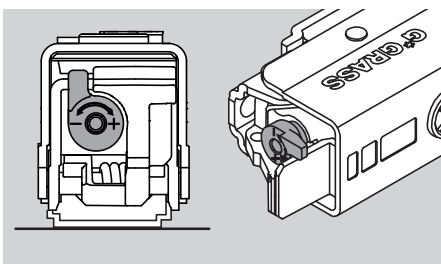
#### Medium Setting (Factory Setting)

Adjustment lever is parallel to the cabinet wall.

This setting covers 80% of door applications.

Appropriate for:

- Standard doors



#### Strong Setting

Adjustment lever points toward the cabinet interior.

Appropriate for:

- Standard doors

## It's Simply Genius!

One of the favored characteristics of the Tiomos hinge system is the Soft-close; Grass' unique adjustable closing mechanism, which is fully integrated and concealed in the hinge arm. The closing process is extremely smooth from the degree that the Soft-close is activated until the door is completely shut. With our superb engineering and design, size and weight of the door will not be a factor. The Tiomos hinge system maintains the stability that surpasses all other hinges on the market. The cabinet doors pull open with ease and minimal gaps can be achieved with the new design of the hinge.



# GRASS TIOMOS HINGE

## 110° Opening Angle

- 3-dimensional adjustment with suitable base plate
- Optimal reveal up to 24mm door thickness
- Accommodates overlays up to 22mm (7/8")
- For face frame or frameless cabinets
- Comfortable depth adjustment with threaded screw
- Self-close or Soft-close hinges

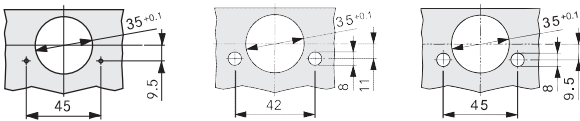


Impresso shown



Screw-on

Impresso and Dowelled



### ORDER INFORMATION

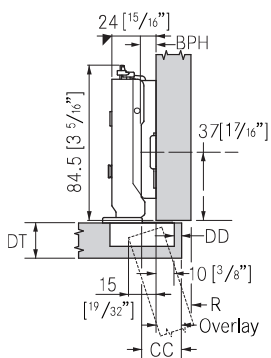
Cranking 03 Overlay		
Description	Pattern	Item No.
Soft-close Screw-on	45	12-600
Soft-close Dowels	45	12-601
Soft-close Dowels	42	12-616
Self-close Dowels	42	12-617
Self-close Screw-on	45	12-610
Self-close Dowels	45	12-611
Soft-close Impresso	42/45	12-642
Self-close Impresso	42/45	12-643

### ORDER INFORMATION

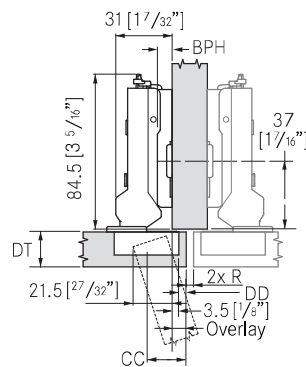
Cranking 9.5 Half Overlay		
Description	Pattern	Item No.
Self-close Dowels	45	12-613
Self-close Screw-on	45	12-612
Soft-closing Screw-on	45	12-602
Soft-closing Dowels	45	12-603
Soft-close Impresso	42/45	12-606
Self-close Impresso	42/45	12-607

### ORDER INFORMATION

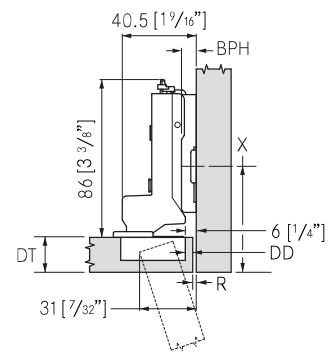
Cranking 19 Inset		
Description	Pattern	Item No.
Self-close Screw-on	45	12-614
Self-close Dowels	45	12-615
Soft-closing Screw-on	45	12-604
Soft-closing Dowels	45	12-605



Drawings show mounting plate, thickness 02.



Drawings show mounting plate, thickness 02.



Drawings show mounting plate, thickness 02.

Subject to technical modifications without notice

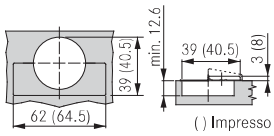
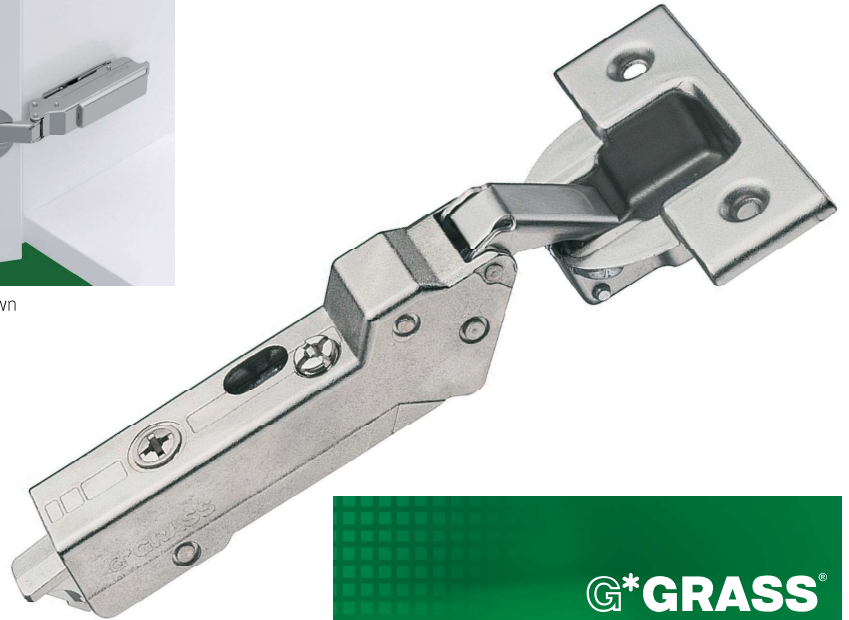
# GRASS TIOMOS HINGE

## 120° Opening Angle

- 3-dimensional adjustment with suitable base plate
- Accommodates overlays up to 22mm (7/8")
- Optimal reveal up to 24mm door thickness
- Soft-close or Self-close hinges
- For face frame and frameless cabinets
- Convenient depth adjustment with worm gear

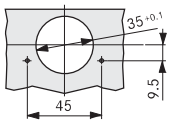


Impresso shown

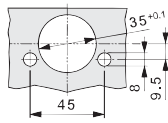
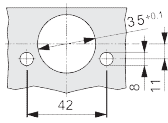


( ) Impresso

Screw-on



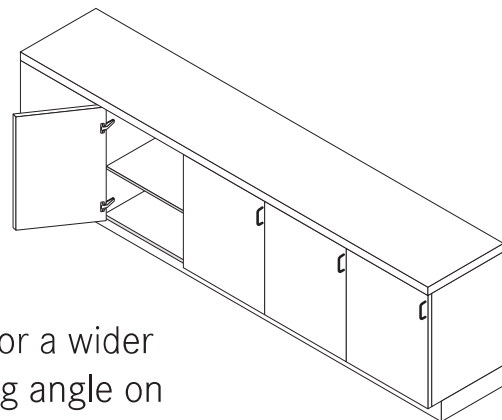
Impresso and Dowelled



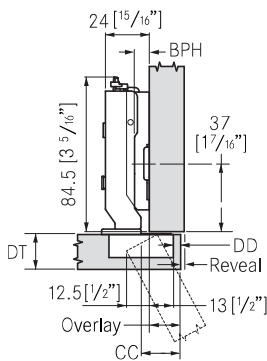
GRASS has a Soft-close solution for you

### ORDER INFORMATION

Cranking 00 Full Overlay		
Description	Pattern	Item No.
Self-close 120° Screw-on	45	12-620
Soft-closing 120° Screw-on	45	12-630
Soft-closing 120° Impresso	42/45	12-640



120° for a wider opening angle on cabinet doors



Drawings show mounting plate, thickness 02.

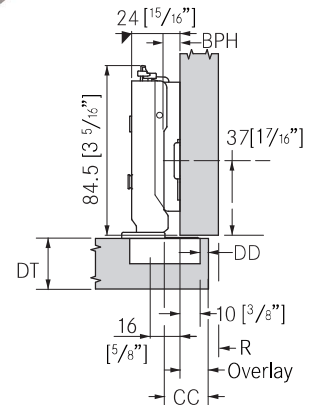
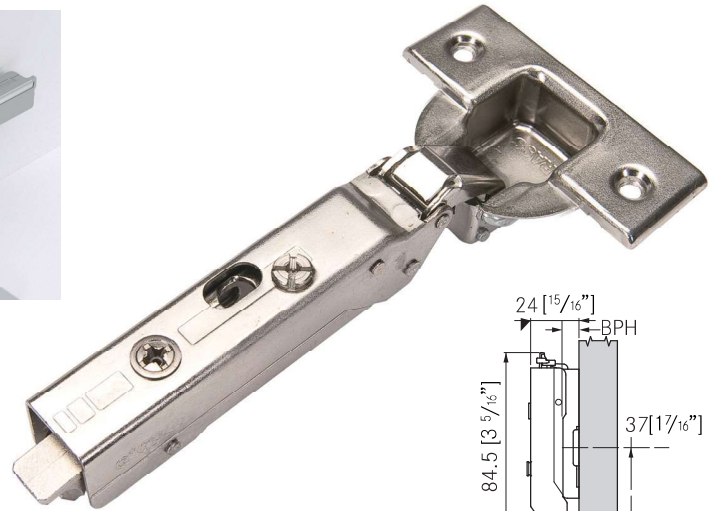


## GRASS TIOMOS HINGE 95° Angle - Thick Doors

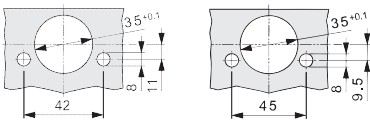
- 3-dimensional adjustment with suitable base plate
- Optimal reveal up to 36mm (1 7/16") door thickness
- Accommodates overlays up to 24mm (15/16")
- For face frame or frameless cabinets
- Soft-close or Self-close hinges
- Convenient depth adjustment with worm gear



Impresso shown



Impresso and Dowelled



### ORDER INFORMATION

Cranking 03 Overlay		
Description	Pattern	Item No.
Soft-closing Impresso	45	12-632
Soft-closing Dowelled	42/45	12-618

Drawings show mounting plate, thickness 02.

## GRASS TIOMOS HINGE 110°/+45° Angle Corner

- 3-dimensional adjustment with suitable base plate
- 110° opening angle
- For 45° angle corner cabinets
- For face frame or frameless cabinets
- Soft-close or Self-close hinges
- Convenient depth adjustment with worm gear



Impresso shown



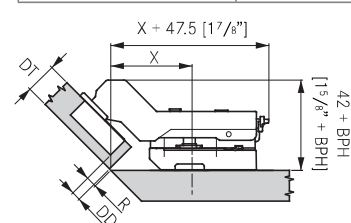
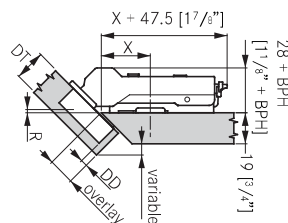
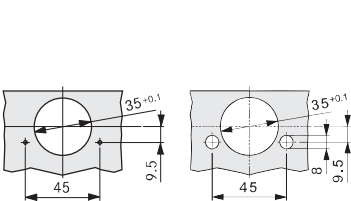
### ORDER INFORMATION

#### Overlay

Description	Pattern	Item No.
Self-close Dowels	45	12-662
Soft-closing Dowels	45	12-664

#### Inset

Description	Pattern	Item No.
Soft-closing Screw-on	45	12-670
Soft-closing Dowels	45	12-672
Self-close Screw-on	45	12-674
Self-close Dowels	45	12-676



Subject to technical modifications without notice

# GRASS TIOMOS HINGE

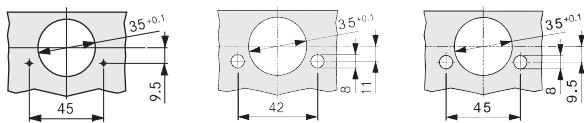
## 160° Wide Angle Hinge

- 3-dimensional adjustment with suitable base plate
- Accommodates overlays up to 25.4mm (1")
- Soft-close or Self-close hinges
- For face frame or frameless cabinets
- Convenient depth adjustment with worm gear
- Zero protrusion when door is opened 90°
- For door thicknesses up to 32mm (1 1/4")
- Minimal reveal



Screw-on

Impresso and Dowelled

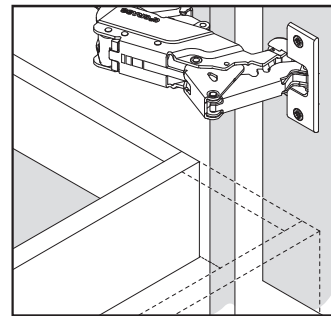


### ORDER INFORMATION

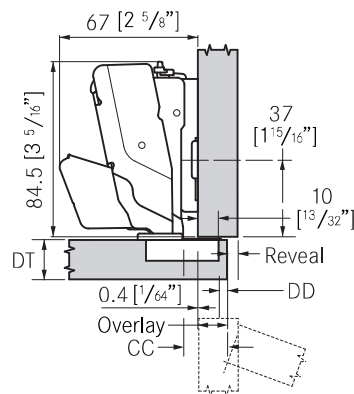
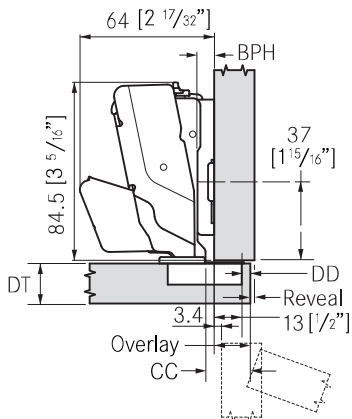
Cranking 00 Full Overlay		
Description	Pattern	Item No.
Self-close 160° Screw-on	45	12-660
Soft-closing 160° Screw-on	45	12-650
Soft-closing 160° Dowels	45	12-652

### ORDER INFORMATION

Cranking 03 Overlay		
Description	Pattern	Item No.
Self-close 160° Dowels	45	12-654
Self-close 160° Impresso	42/45	12-645



Zero protrusion for application with inset drawers. With 00 cranking and 00 height of base plate the door is flush with the cabinet at 90°.



## GRASS TIOMOS HINGE 110°/90° Blind Corner

- 110° opening for inset blind corner construction
- 3-dimensional adjustment with suitable base plate
- Self-close or Soft-close hinges
- Convenient depth adjustment with worm gear

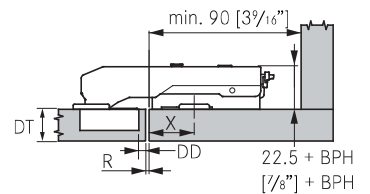


Impresso shown

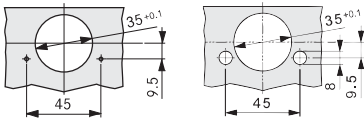


### ORDER INFORMATION

Inset Blind Corner		
Description	Pattern	Item No.
Soft-closing Screw-on	45	12-678
Soft-closing Dowel	45	12-680
Self-close Screw-on	45	12-682
Self-close Dowel	45	12-684

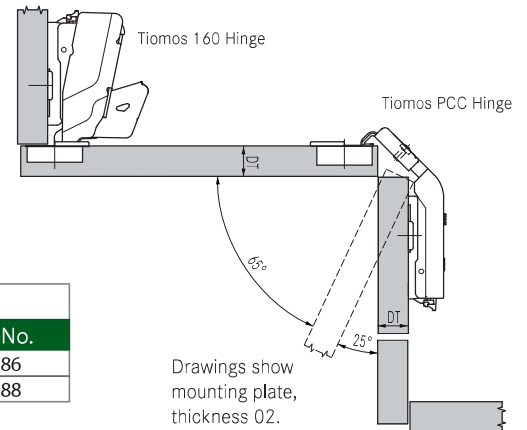
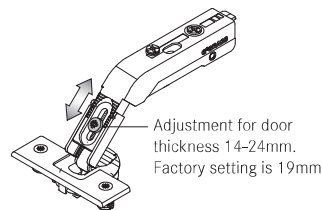
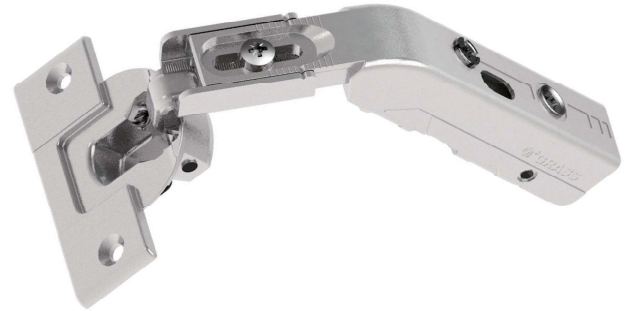


Drawings show mounting plate, thickness 02.



## GRASS TIOMOS HINGE Pie-cut Corner

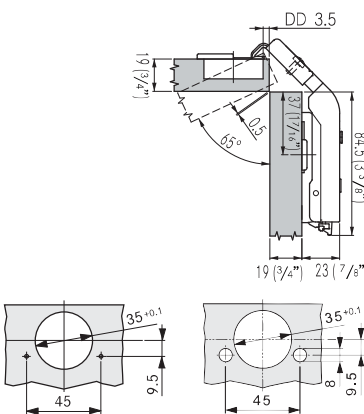
- 3-dimensional adjustment with suitable base plate
- Designed for connecting two folding doors in corner cabinet
- For door thicknesses 16 to 22mm
- Self-close hinges
- Used in conjunction with Tiomos 160 hinges



Drawings show mounting plate, thickness 02.

### ORDER INFORMATION

Cranking 00 Full Overlay		
Description	Pattern	Item No.
Self-close Screw-on	45	12-686
Self-close Dowels	45	12-688



# GRASS TIOMOS MOUNTING PLATES

Fixing distance 37mm, line boring 32mm

## Wing base plate, 4 point fixing

- Height adjustment via worm gear
- For wood screws

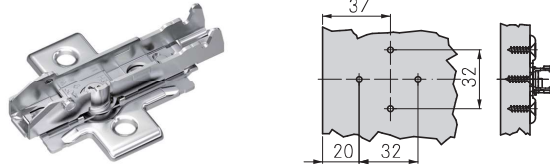


Plate Thickness	Item No.
00	12-964
02	12-965
03	12-973
3.5	12-972

## Wing base plate, 4 point fixing

- Height adjustment via worm gear
- For Euro screws

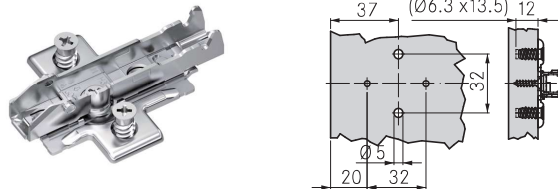


Plate Thickness	Item No.
00	12-961
02	12-963
03	12-971
3.5	12-975

## Wing base plate, 3 point fixing

- Height adjustment via worm gear

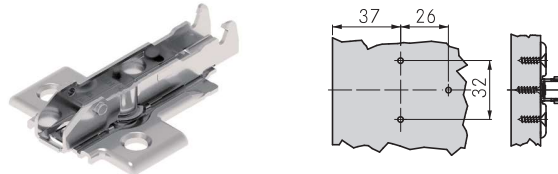


Plate Thickness	Item No.
00	12-960
02	12-962

## Wing base plate, 2 point fixing

- Zinc die-cast/Steel, nickel plated
- Height adjustment via worm gear
- For wood screws

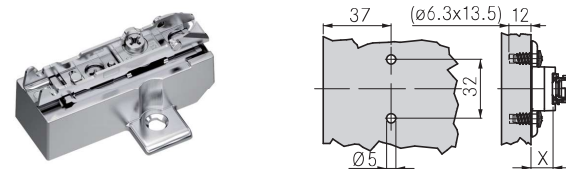


Plate Thickness	Item No.
9.5	12-976
19	12-977

## Wing base plate, 2 point fixing

- Zinc die-cast/Steel, nickel plated
- Height adjustment via worm gear
- For pre-mounted Euro screws (13.5mm) screws

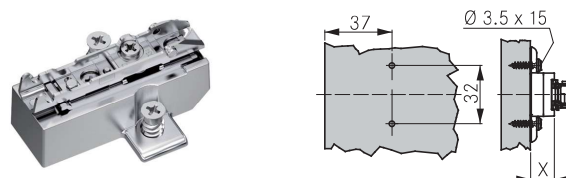
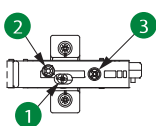


Plate Thickness	Item No.
9.5	12-978



1 Height Adjustment  
Worm Gear ±2mm  
Elongated Hole ±2.5mm

2 Side Adjustment  
±2mm

3 Depth Adjustment  
+3/-2mm

- 1 Height Adjustment
- 2 Side Adjustment
- 3 Depth Adjustment

Subject to technical modifications without notice



# GRASS TIOMOS MOUNTING PLATES

Fixing distance 37mm, line boring 32mm

## FFA base plate, 2 point fixing

- Height adjustment elongated screw holes
- For wood screws

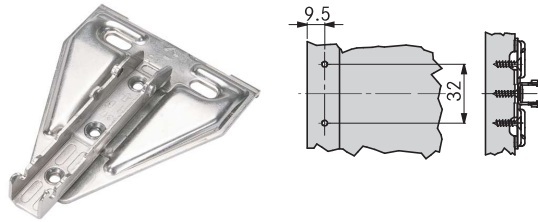


Plate Thickness	Item No.
1.5	12-969
3.5	12-968
4.5	12-974

## FFA base plate, 2 point fixing

- Height adjustment via worm gear
- For wood screws

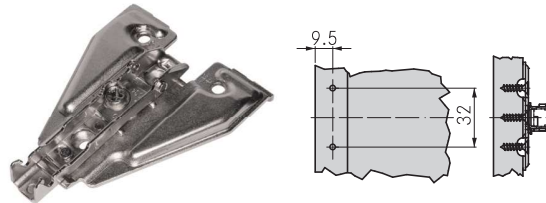


Plate Thickness	Item No.
1.5	12-967
3.5	12-966

## Inset FFA base plate, 3 point fixing

- Zinc die-cast/Steel, nickel plated
- Height adjustment via worm gear
- Note: Requires a 9.5 crank hinge (half-overlay)

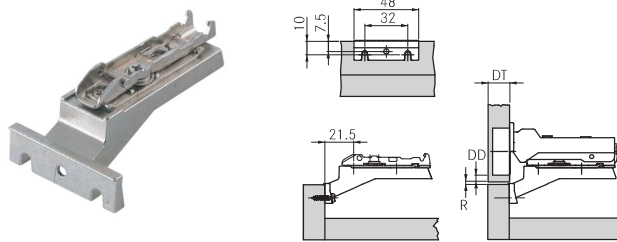
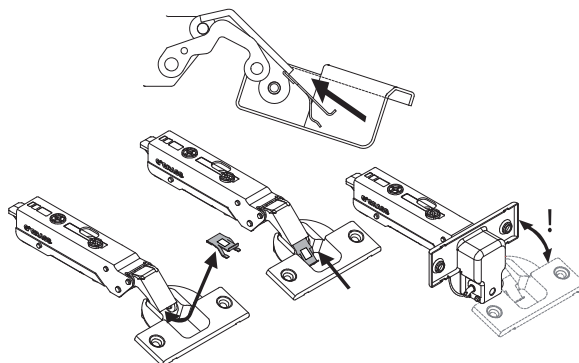
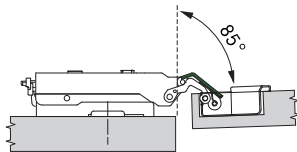
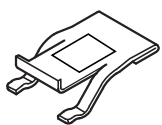


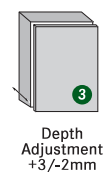
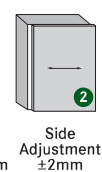
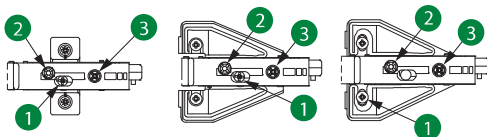
Plate Thickness	Item No.
0	12-970

## Opening angle reduction clip to 85°



Description	Item No.
85° reduction	12-592

Works for all Tiomos 110° and 120° standard hinges.  
Reduces the opening angle to 85° to prevent doors from bumping fronts or walls in corner installations.



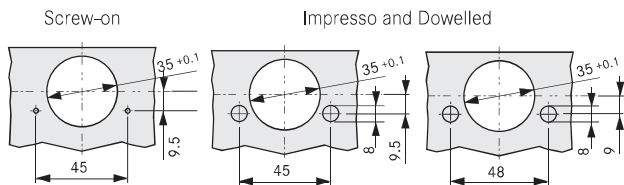
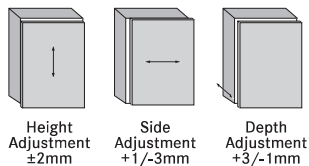
- 1 Height Adjustment
- 2 Side Adjustment
- 3 Depth Adjustment

Subject to technical modifications without notice

# GRASS NEXIS HINGE

## 110° Opening Angle

- 3-dimensional adjustment with suitable base plate
- Soft-close compatible
- Shallow cup depth of 11mm for Nexis, 11.5mm for Impresso
- Accommodates overlays up to 20mm (25/32")
- Self-close or free-swing hinges available
- For face frame and frameless cabinets
- Impresso drilling pattern of 45mm and 48mm for Impresso

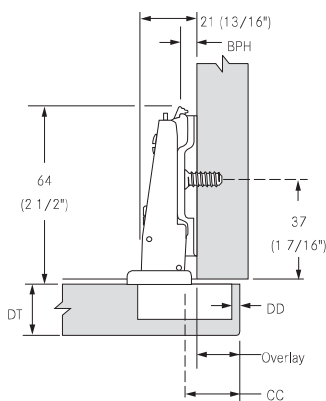


### ORDER INFORMATION

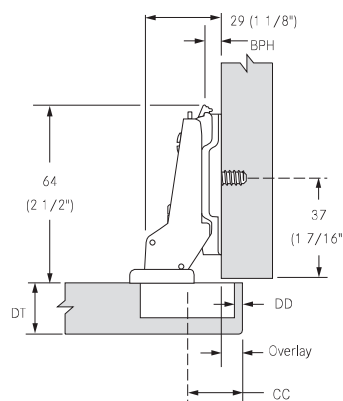
Cranking 00 Full Overlay		
Description	Pattern	Item No.
Self-close Screw-on	45	12-721
Self-close Dowels	45	12-726
Free Swing Screw-on	45	12-706
Free Swing Dowels	45	12-701
Self-close Impresso	45/48	12-850
Self-close Screw-on	48	12-704
Self-close Dowels	42	11-358

Cranking 08 Half Overlay		
Description	Pattern	Item No.
Self-close Screw-on	45	12-714
Self-close Dowels	45	12-727
Self-close Impresso	45/48	12-854

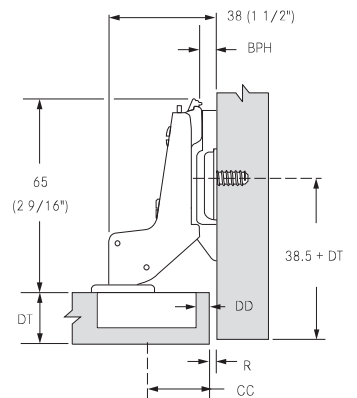
Cranking 15 Inset		
Description	Pattern	Item No.
Self-close Dowels	45	12-720



Drawings show mounting plate, thickness 02.



Drawings show mounting plate, thickness 02.



Drawings show mounting plate, thickness 04.

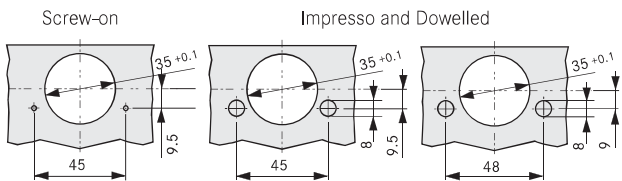
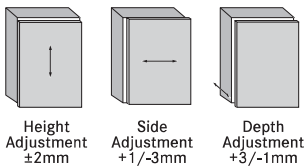
<b>Legend</b>	CC:	Center Cup	DD:	Drilling Distance	R:	Reveal
	BPH:	Base Plate height	DT:	Door Thickness		

Subject to technical modifications without notice

# GRASS NEXIS HINGE

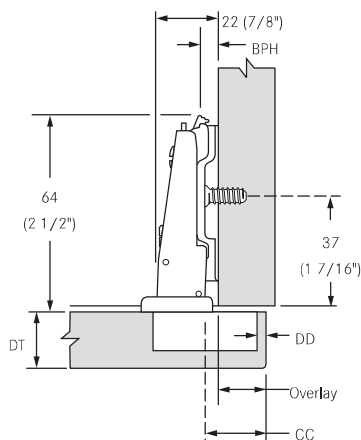
## 125° Opening Angle

- 3-dimensional adjustment with suitable base plate
- Soft-close compatible
- Accommodates overlays up to 19mm (3/4")
- For door thickness up to 19mm (3/4")
- Alternative solution for wide angle application
- Self-close hinges
- For face frame and frameless cabinets
- Combination drilling pattern of 45mm and 48mm for Impresso



### ORDER INFORMATION

Cranking 00 Full Overlay		
Description	Pattern	Item No.
Self-close Screw-on	45	12-734
Self-close Dowels	45	12-748
Self-close Impresso	45/48	12-840
Self-close Dowels	48	12-730



Drawings show mounting plate, thickness 02.

Nexis makes it easy to go toolless with Nexis Impresso.

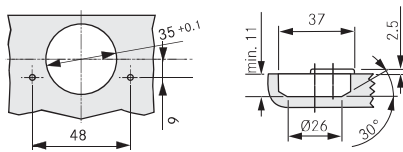
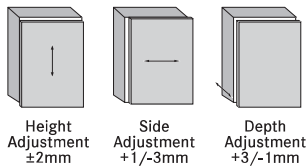
**Legend** CC: Center Cup DD: Drilling Distance R: Reveal  
 BPH: Base Plate height DT: Door Thickness

Subject to technical modifications without notice

# GRASS NEXIS HINGE

## 95° Opening Angle - Thick Door

- 3-dimensional adjustment with suitable base plate
- Soft-close compatible
- Accommodates overlays up to 19mm (3/4")
- Minimal gap dimensions on thick doors
- For door thickness up to 30mm (1 3/16")
- For face frame and frameless cabinets

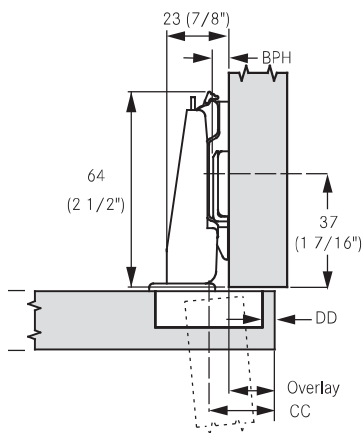


### ORDER INFORMATION

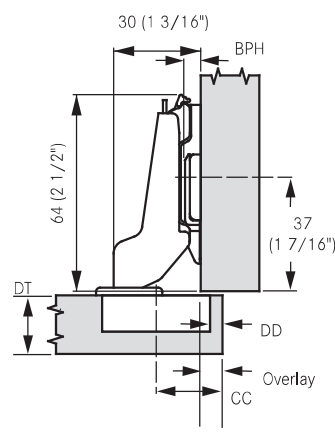
Cranking 00 Full Overlay		
Description	Pattern	Item No.
Self-close Screw-on	48	12-790

Cranking 08 Half Overlay		
Description	Pattern	Item No.
Self-close Screw-on	48	12-794

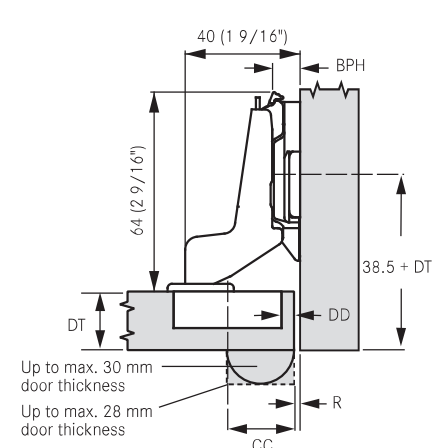
Cranking 15 Inset		
Description	Pattern	Item No.
Free-swing Screw-on	48	12-802



Drawings show mounting plate, thickness 02.



Drawings show mounting plate, thickness 02.



Drawings show mounting plate, thickness 04.

<b>Legend</b>	CC: Center Cup	DD: Drilling Distance	R: Reveal
	BPH: Base Plate height	DT: Door Thickness	

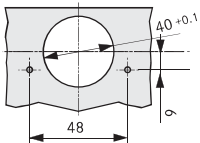
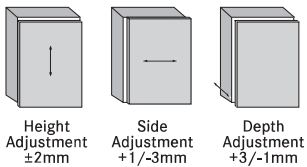
Subject to technical modifications without notice



# GRASS NEXIS HINGE

## 95° Opening Angle - 40mm Cup

- 3-dimensional adjustment with suitable base plate
- Accommodates door overlays up to 23mm (7/8")
- Minimal gap dimensions on thick doors
- Excellent weight capacity for heavy profile doors
- For profile or frame doors up to 36mm thick
- Special spring mechanism ensures excellent closing force - even with large doors
- For face frame and frameless cabinets

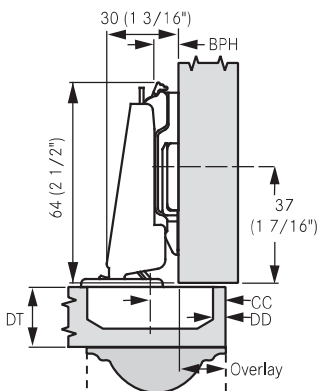


### ORDER INFORMATION

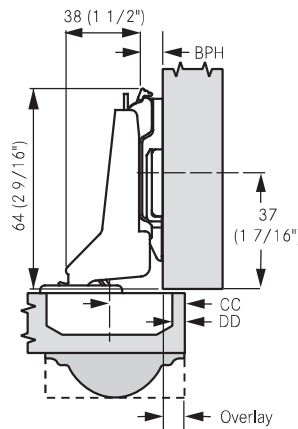
Cranking 00 Full Overlay		
Description	Pattern	Item No.
Self-close Screw-on	48	12-750

Cranking 08 Half Overlay		
Description	Pattern	Item No.
Self-close Screw-on	48	12-752

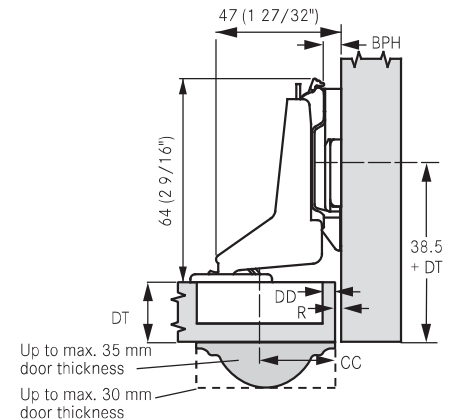
Cranking 15 Inset		
Description	Pattern	Item No.
Self-close Screw-on	48	12-754



Drawings show mounting plate, thickness 02.



Drawings show mounting plate, thickness 02.



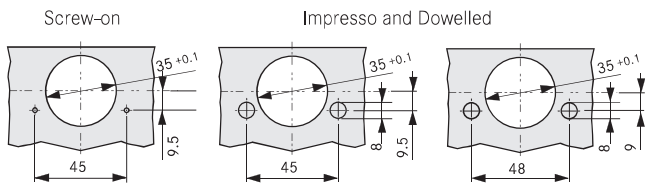
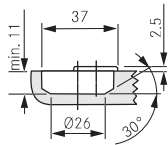
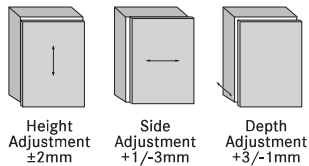
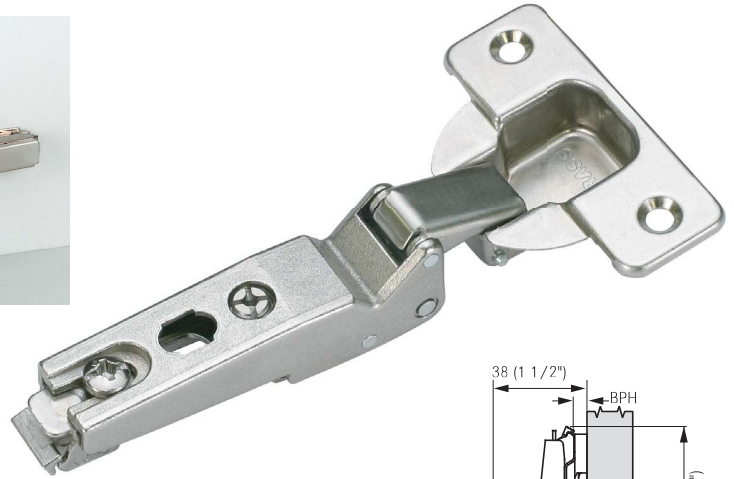
Drawings show mounting plate, thickness 04.

**Legend** CC: Center Cup DD: Drilling Distance R: Reveal  
 BPH: Base Plate height DT: Door Thickness

Subject to technical modifications without notice

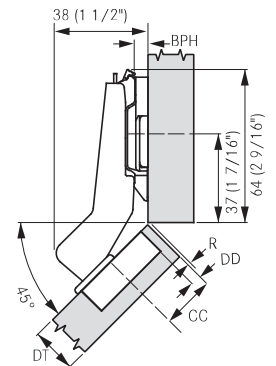
## GRASS NEXIS HINGE 95° / +45° Angle Corner

- For 45° angle corner cabinets
- 3-dimensional adjustment with suitable base plate
- Soft-close compatible
- Minimal gap dimensions on door thickness of up to 30mm



### ORDER INFORMATION

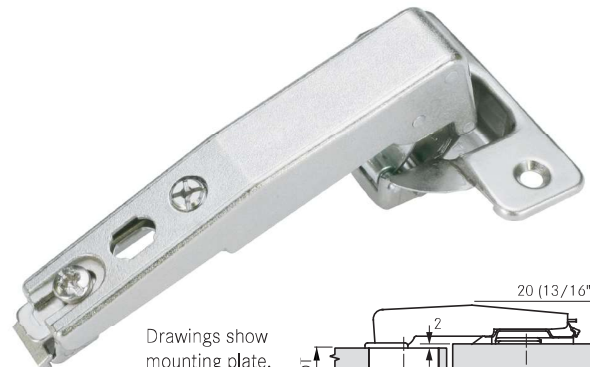
Corner Angle +45		
Description	Pattern	Item No.
Self-close Screw-on	45	12-762
Self-close Dowel	45	12-765



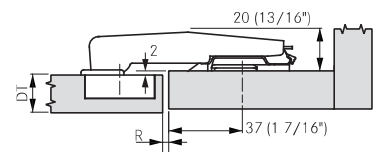
Drawings show mounting plate, thickness 04.

## GRASS NEXIS HINGE 95° Blind Corner

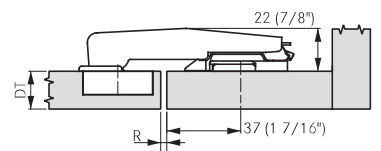
- 3-dimensional adjustment with suitable base plate
- Soft-close compatible
- Minimal gap dimensions on door thickness of up to 30mm
- For blind corner cabinets



Drawings show mounting plate, thickness 02.

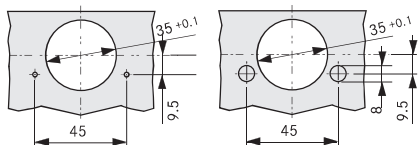


Drawings show mounting plate, thickness 04.



### ORDER INFORMATION

Blind Corner		
Description	Pattern	Item No.
Self-close Screw-on	45	12-774
Self-close Dowels	45	12-767



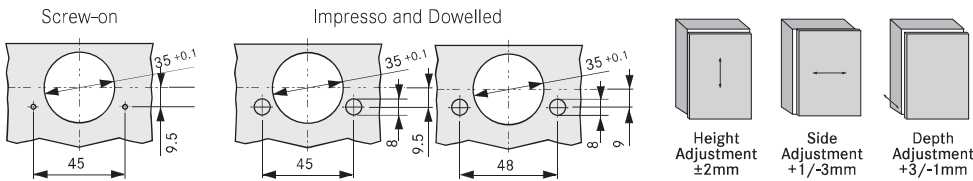
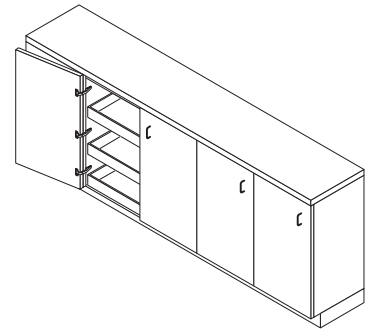
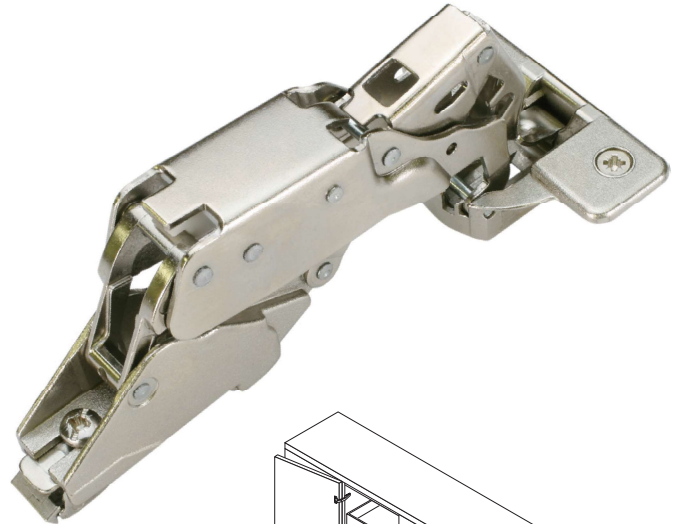
# GRASS NEXIS HINGE

## 170° Opening Angle

- 3-dimensional adjustment with suitable base plate
- Soft-close compatible
- Accommodates overlays up to 19mm (3/4")
- Combination drilling pattern of 42mm and 45mm
- Shallow cup depth (11mm) for Nexis and Nexis Impresso
- Zero protrusion when door opened 90°
- Finger protection
- For face frame and frameless cabinets
- Combination drilling pattern fo 45/48mm for Impresso



A trial application is recommended for doors thicker than 24mm.

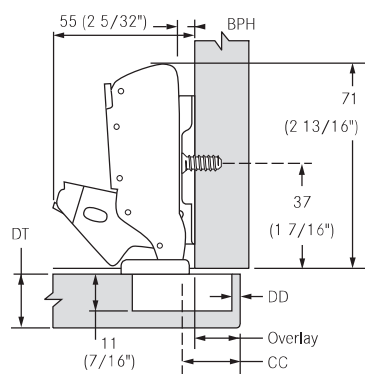


### ORDER INFORMATION

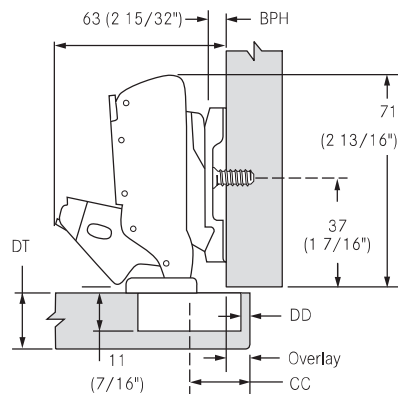
Cranking 00 Full Overlay		
Description	Pattern	Item No.
Self-close Screw-on	45	12-784
Free Swing Screw-on	45	12-786
Self-close Dowels	45	12-749
Self-close Impresso	45/48	12-870

### ORDER INFORMATION

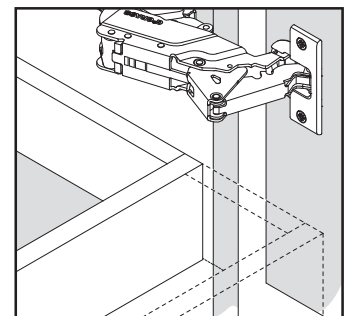
Cranking 08 Half Overlay		
Description	Pattern	Item No.
Self-close Screw-on	45	12-788



Drawings show mounting plate, thickness 02.



Drawings show mounting plate, thickness 02.



Zero protrusion for application with inset drawers. With 00 cranking and 00 height of base plate the door is flush with the cabinet at 90°.

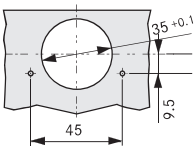
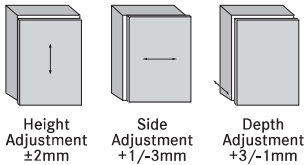
<b>Legend</b>	CC: Center Cup	DD: Drilling Distance	R: Reveal
	BPH: Base Plate height	DT: Door Thickness	

Subject to technical modifications without notice

# GRASS NEXIS HINGE

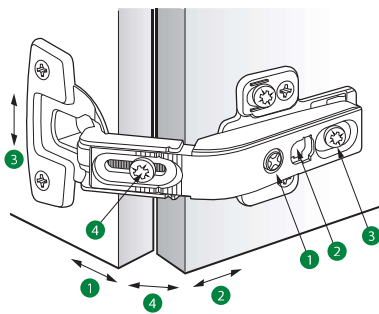
## Pie Cut Corner - Full Recess

- 3-dimensional adjustment with suitable base plate
- Designed for folding doors in corner cabinets
- For door thicknesses Max. 24mm, factory setting 19mm door thickness with 4mm drilling distance
- Self-close hinges
- Used in conjunction with Nexis 170 hinges
- Shallow cup depth of 10.8mm



### ORDER INFORMATION

Pie Cut Corner		
Description	Pattern	Item No.
Self-close Screw-on	45	12-776



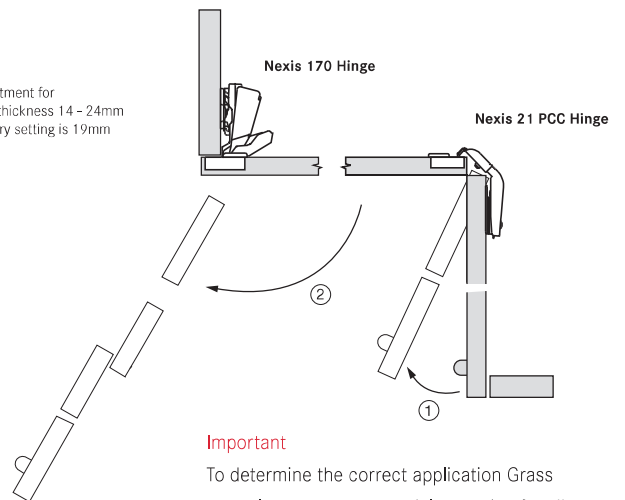
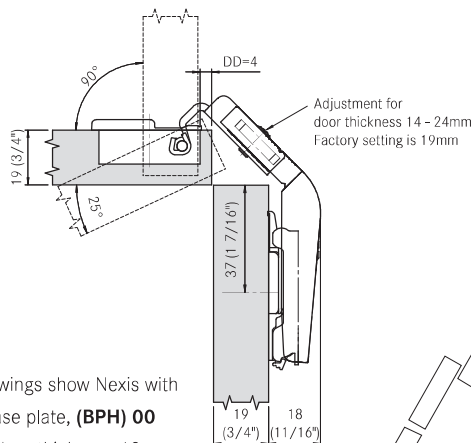
#### Adjustment in the hinge arm

1. Side adjustment  $\pm 2\text{mm}$
2. Depth adjustment  $\pm 2\text{mm}$
4. door thickness 14 to 24mm, factory setting 19mm

#### Adjustment via base plate

3. Height adjustment  $\pm 2\text{mm}$

Drawings show Nexis with a base plate, **(BPH) 00** for door thickness 19mm, Factory setting.  
Drilling distance range 3mm - 6mm



#### Important

To determine the correct application Grass strongly recommends a trial mounting for all hinges and base plates.

<b>Legend</b>	CC: Center Cup	DD: Drilling Distance	R: Reveal
	BPH: Base Plate height	DT: Door Thickness	

Subject to technical modifications without notice



## GRASS NEXIS SOFT-CLOSE

### Quick and Easy to Install!

Suitable for Nexis 95, 110, and 125.



**PLEASE CHECK**  
Are the notches located on both sides of the hinge cup?

#### ORDER INFORMATION

Soft-close Adapter	
Description	Item No.
Pre-mounted Soft-close	12-880



Soft-close for Impresso	
Description	Item No.
Impresso Set	12-884



GRASS has a Soft-close solution for you

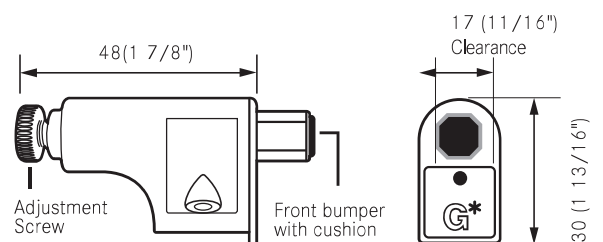
## UNISOFT SOFT-CLOSE



#### ORDER INFORMATION

Unisoft Soft-close	
Description	Item No.
Adjustable Soft-close with screw	12-888

- Works for face frame cabinets with all overlays
- Works for frameless cabinets on full overlay doors
- Blends in well with hinge finish
- Non-handed with a low profile design
- Manually adjustable to desired closing speed
- Easy to mount by locating in the corner



Subject to technical modifications without notice

# GRASS NEXIS MOUNTING PLATES

Fixing distance 37mm, line boring 32mm

## Steel plate, wood screw fixing

- Height adjustment via elongated screw hole

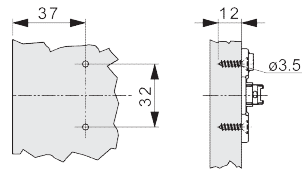


Plate Thickness	Item No.
00	12-900
02	12-902

## Steel plate, pre-mounted Euro Screws

- Height adjustment via elongated screw hole

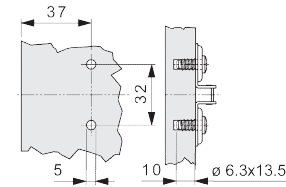


Plate Thickness	Item No.
00	12-904
02	12-906

## Steel plate, wood screw fixing

- Height adjustment via cam

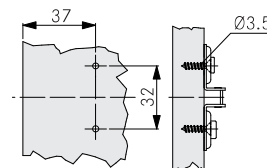


Plate Thickness	Item No.
00	12-950
02	12-952

## Steel plate, pre-mounted Euro Screws

- Height adjustment via cam

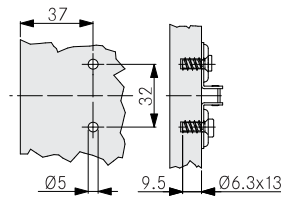


Plate Thickness	Item No.
00	12-951
02	12-954
04	12-956

## Steel plate, wood screw fixing Three point mounting

- Height adjustment via eccentric cam

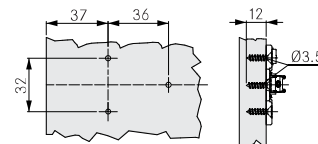
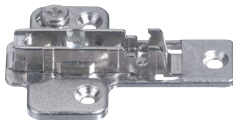
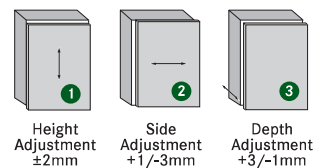
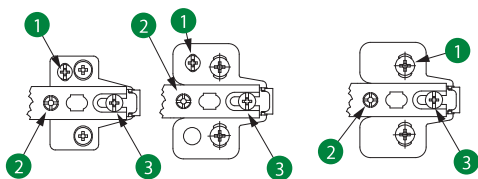


Plate Thickness	Item No.
00	12-932
02	12-934
04	12-937
08	12-939



- 1 Height Adjustment
- 2 Side Adjustment
- 3 Depth Adjustment

Subject to technical modifications without notice

# GRASS NEXIS MOUNTING PLATES

Fixing distance 37mm, line boring 32mm

## Steel plate, pre-mounted Euro Screws Three point mounting

- Height adjustment via eccentric cam

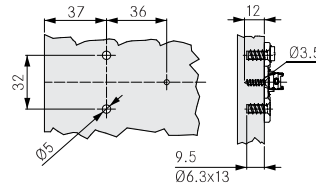
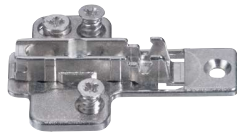


Plate Thickness	Item No.
00	12-944
02	12-946
04	12-941
08	12-939

## Steel /die-cast plate, wood screw fixing

- Height adjustment via screw

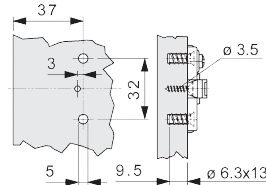


Plate Thickness	Item No.
00	12-910
02	12-926
04	12-928
08	12-912
18	12-914

## 3-D cam plate for face frame construction, wood screw fixing

- Height and depth adjustment via eccentric cam

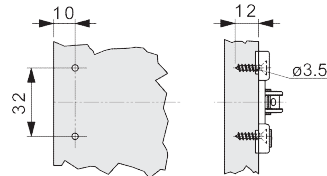


Plate Thickness	Item No.
5/8" OL	12-940
1/2" OL	12-942

## Special plate for face frame construction, wood screw fixing

- Height adjustment via elongated hole

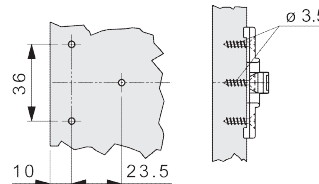
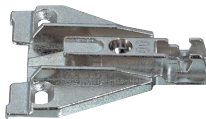


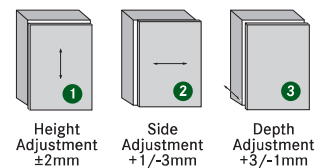
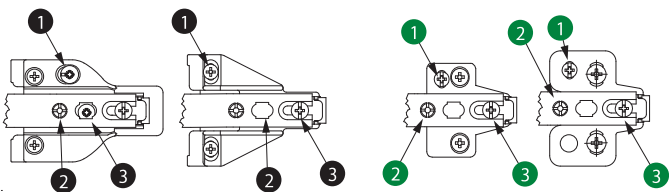
Plate Thickness	Item No.
5/8" OL	12-920
1/2" OL	12-922

## Opening angle reduction clip to 85°

Works for all Nexis 110° and 125° standard hinges.  
Reduces the opening angle to 85° to prevent doors from bumping fronts or walls in corner installations.



Description	Item No.
85° reduction	12-594

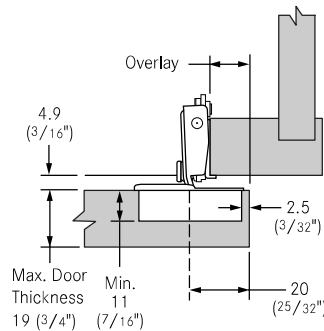
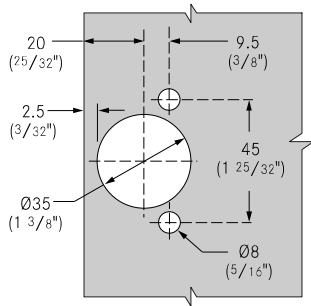


- 1 Height Adjustment
- 2 Side Adjustment
- 3 Depth Adjustment

Subject to technical modifications without notice

## GRASS TEC SOFT-CLOSE 108° Angle 1/4"-1" overlay

- Soft-close damper is pre-mounted in the hinge cup
- Adjustment switch to regulate closing action
- One piece hinge and base plate combination
- 3 dimensional adjustment
- 11mm (7/16") cup drilling depth
- Front locating tabs position hinge on face frame
- Cam side adjustment
- Cam depth adjustment
- Height adjustment at mounting screw
- Made in the USA

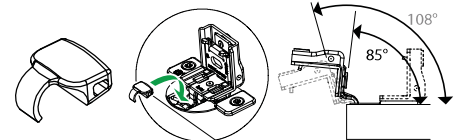


### ORDER INFORMATION

Wrap-around 45mm drilling	
Description	Item No.
TEC 864 1/2" OL Dowelled	11-840
TEC 864 3/4" OL Dowelled	11-842
TEC 864 1" OL Dowelled	11-844
TEC 864 1/2" OL Screw-on	11-841
TEC 864 3/4" OL Screw-on	11-843



3 tier adjustable Soft-close for a perfect installation.

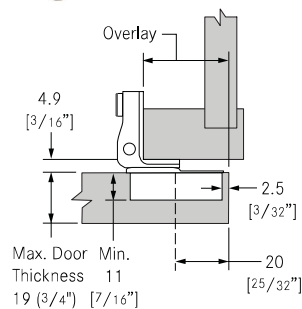
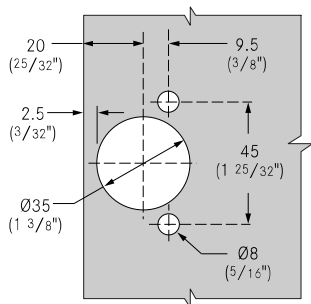


### ORDER INFORMATION

Angle reduction clip	
Description	Item No.
Reduces angle to 85°	12-596

## GRASS TEC SOFT-CLOSE 108° Angle 1 1/4"-1 1/2" overlay

- Soft-close damper is pre-mounted in the hinge cup
- Adjustment switch to regulate closing action
- One piece hinge and base plate combination
- 3 dimensional adjustment
- 11mm (7/16") cup drilling depth
- Front locating tabs position hinge on face frame
- Cam side adjustment
- Cam depth adjustment
- Height adjustment at mounting screw
- Made in the USA

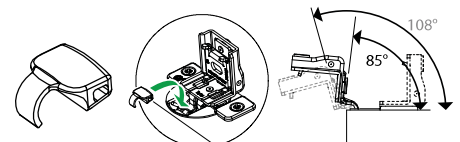


### ORDER INFORMATION

Side-mount 45mm drilling	
Description	Item No.
TEC 864 1 1/4" OL Dowelled	11-822



3 tier adjustable Soft-close for a perfect installation.



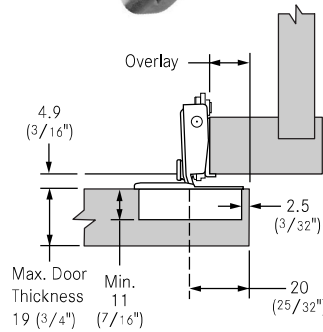
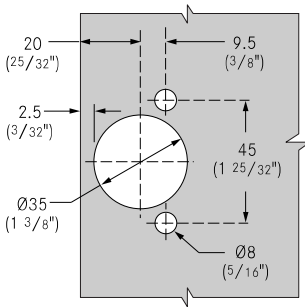
### ORDER INFORMATION

Angle reduction clip	
Description	Item No.
Reduces angle to 85°	12-596



## GRASS TEC SELF-CLOSE 108° Angle 1/4"-1" overlay

- One piece hinge and base plate combination
- 3 dimensional adjustment
- 11mm (7/16") cup drilling depth
- Front locating tabs position hinge on face frame
- Cam side adjustment
- Cam depth adjustment
- Height adjustment at mounting screw
- Made in the USA



### ORDER INFORMATION

Side-mount 45mm drilling	
Description	Item No.
TEC 864 5/8" OL Dowelled	11-826
Wrap-around 45mm drilling	
Description	Item No.
TEC 864 1/2" OL Dowelled	11-806
TEC 864 3/4" OL Dowelled	11-814
TEC 864 1" OL Dowelled	11-818
TEC 864 1/2" OL Screw-on	11-800
TEC 864 3/4" OL Screw-on	11-812
TEC 864 1" OL Screw-on	11-816

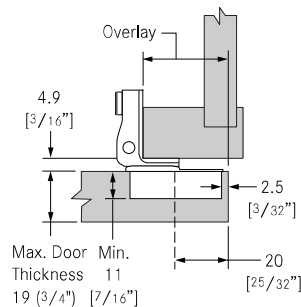
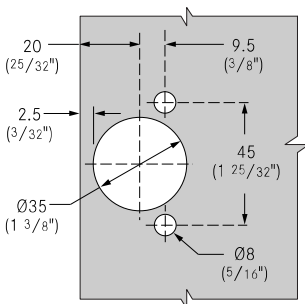


### ORDER INFORMATION

Angle reduction clip	
Description	Item No.
Reduces angle to 85°	12-596

## GRASS TEC SELF-CLOSE 108° Angle 1 1/4"-1 1/2" overlay

- One piece hinge and base plate combination
- 3 dimensional adjustment
- 11mm (7/16") cup drilling depth
- Front locating tabs position hinge on face frame
- Cam side adjustment
- Cam depth adjustment
- Height adjustment at mounting screw
- Made in the USA



### ORDER INFORMATION

Side-mount 45mm drilling	
Description	Item No.
TEC 864 1 1/2" OL Dowelled	11-824
Wrap-around 45mm drilling	
Description	Item No.
TEC 864 1 1/4" OL Dowelled	11-808
TEC 864 1 3/8" OL Dowelled	11-810
TEC 864 1 1/4" OL Screw-on	11-802
TEC 864 3/8" OL Screw-on	11-804



### ORDER INFORMATION

Angle reduction clip	
Description	Item No.
Reduces angle to 85°	12-596

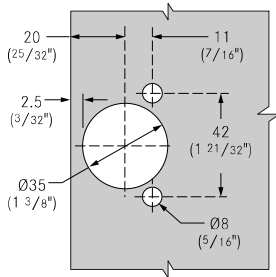


## GRASS TEC SELF-CLOSE 108° Angle Face-Mount

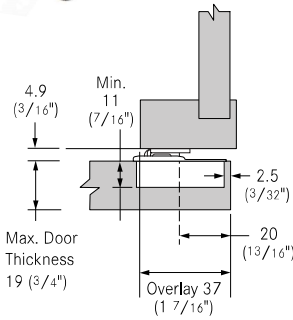
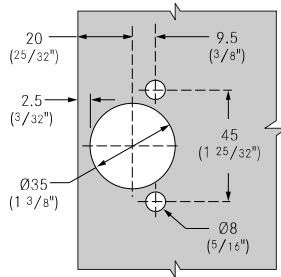
- One piece hinge and base plate combination
- 2 dimensional adjustment
- 11mm (7/16") cup drilling depth
- Height adjustment at mounting screws
- For overlays 1 7/16" and greater
- 85° angle reduction clip available
- Made in the USA



42mm drilling pattern



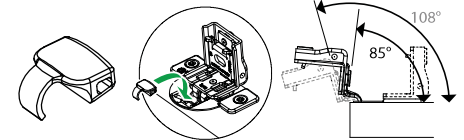
45mm drilling pattern



### ORDER INFORMATION

Face-mount 45mm drilling	
Description	Item No.
TEC 863 1 7/16" OL Screw-on	11-820

Face-mount 42mm drilling	
Description	Item No.
TEC 863 1 7/16" OL Dowelled	11-400

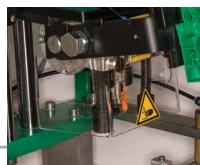
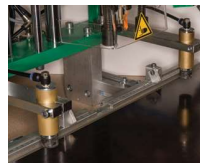


### ORDER INFORMATION

Angle reduction clip	
Description	Item No.
Reduces angle to 85°	12-596

## GRASS PRO1 Drilling and Insertion Machine

- Functional design
- Easy, fast and efficient operation
- Easy maintenance
- 45mm boring pattern



- Adjustable hold-down devices
- Pneumatic controls
- Quick-change chucks



### ORDER INFORMATION

GRASS PRO1 Accessories	
Description	Item No.
1 Additional fence stop	11-126
2 Universal fence stop	11-128
3 TEC die for all cup styles	11-141
4 Nexis die	11-140
5 Bit set for hinge drilling	11-138



### ORDER INFORMATION

GRASS PRO1	
Description	Item No.
220v single phase pneumatic	11-101

Additional powers available

Subject to technical modifications without notice

# GRASS INSTITUTIONAL HINGE

## 180° Opening Angle

- Hinges made of zinc die-cast construction for extreme durability
- Recommended for side panel thicknesses of 19mm (3/4")
- Tool-free snap-on mounting - quick and easy installation
- Side-to-side adjustment of - 2mm (1/16")
- Height adjustment of +/- 2mm (1/16")
- Cover cap conceals mounting screws
- Available nickel plated
- Designed for frameless cabinet construction
- Opening angles range from 180° to 270°
- \*Meets ANSI/BHMA A156.9 - Grade I requirements when third screw and adjustment tabs are in place.

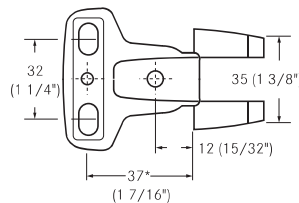
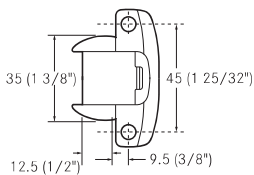
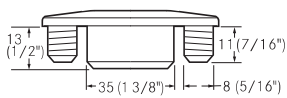
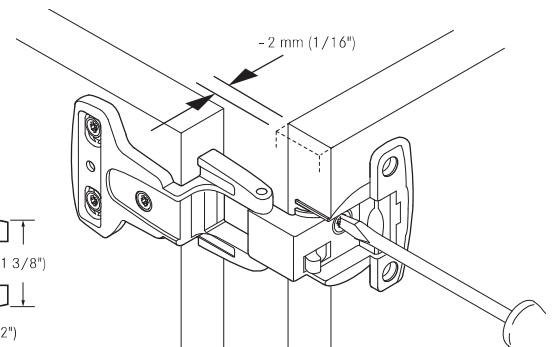
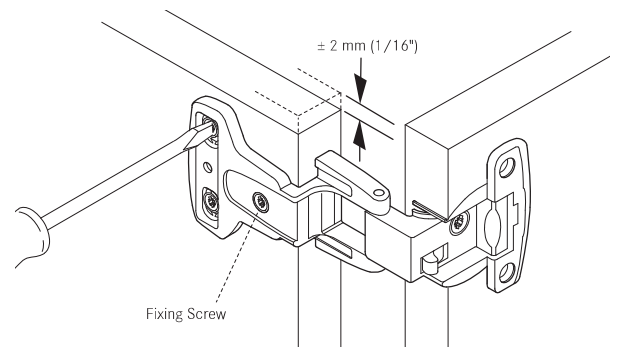
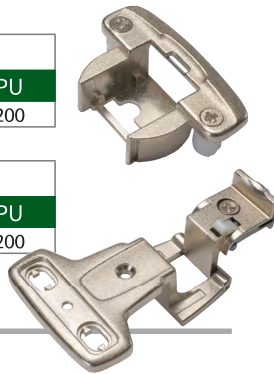


### ORDER INFORMATION

<b>MB 8010 Hinge Cup - 45mm Pattern</b>		
<b>Material</b>	<b>Item No.</b>	<b>PU</b>
Nickel Plated	11-212	200

<b>MB 8310 Hinge Arm Full Overlay 15mm (19/32")</b>		
<b>Material</b>	<b>Item No.</b>	<b>PU</b>
Nickel Plated	11-214	200

<b>Euro Screws for Hinge Arm Mounting</b>		
<b>Material</b>	<b>Item No.</b>	<b>PU</b>
Nickel Plated - 6.3 x 13.5mm	11-210	100



Subject to technical modifications without notice

## GRASS VIONARO Steel Drawer System

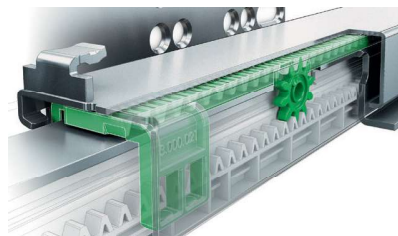
Whether it is in the kitchen, the bath, or the living room the concise shape, slim design, and top quality material of the Vionaro drawer makes your cabinetry classic. The perfectly designed drawer sides are formed from a single piece of high quality steel using cutting-edge laser technology.

Vionaro side heights are available in 89mm, 121mm, and 185mm in White, Silver Grey and Graphite. Front panels for inset drawers are offered in 89mm and 185mm heights.

Vionaro is cleverly attached to the Dynapro undermount drawer systems so it offers everything the Dynapro has: high load capacity, synchronized movement, low pull-out force, and 4-dimensional adjustment. Previously the Dynapro was used with wood drawers but now it is a multi-functional drawer system that is ideal for modern cabinetry.



**Dynapro**  
 Dynapro makes the perfect transition between wood and steel.



**Synchronization**  
 for smooth, silent operation, excellent running performance

**4D depth adjustment**  
 optional add-on



## Modern & Complete

Vionaro becomes the complete drawer system for modern cabinetry. Vionaro features a strong connection to the drawer front offering height, tilt, and side adjustment on the drawer sides and depth adjustment from the drawer slide. The soft-close action brings the Vionaro drawer to a gentle quiet close.

Vionaro is the proud winner of the 2014 Red Dot Award judged on functionality, innovation, quality and ecological compatibility.

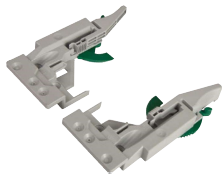
Vionaro – functional technology with perfect form..



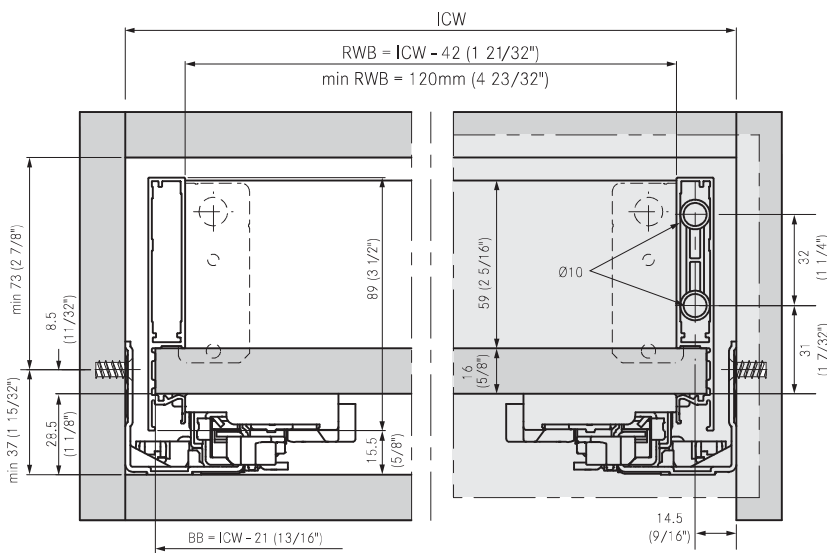
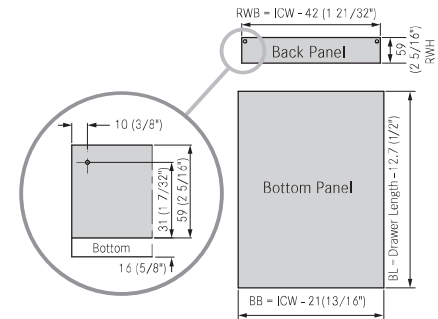
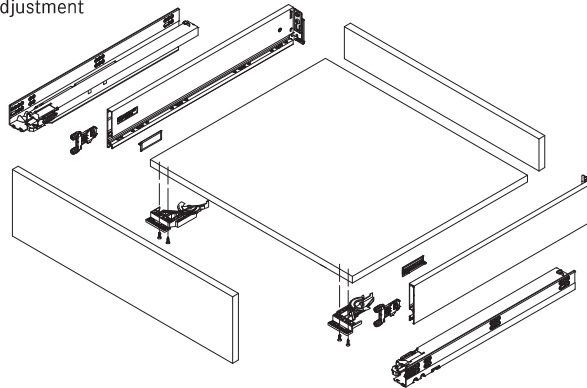
# GRASS VIONARO

## Height 89mm (3 1/2")

- Cubist design with 90° angles
- Slimline 13mm (1/2") side width
- 3-dimensional adjustment
- Integrated side and height adjustment, tilt angle adjustment at back
- Bottom panel is cut to size without notching
- Tool-free front assembly
- For frame and frameless cabinetry
- Compatible with Dynapro 16 with 2D or 3D adjustment
- Adapter Set for 89mm height with 2 front connectors and cover caps are included



Vionaro Front Locking Device



BB = bottom panel width    IDW = inside drawer width  
 BL = bottom panel length    RWB = back panel width  
 ICW = inside cabinet width    RWH = back panel height

### ORDER INFORMATION

Vionaro 89mm	White
Nominal Length	Item No.
533mm (21")	25-622WH

Vionaro 89mm	Silver Grey
Description	Item No.
381mm (15")	25-620SG
457mm (18")	25-621SG
533mm (21")	25-622SG

Vionaro 89mm	Graphite
Description	Item No.
381mm (15")	25-620
457mm (18")	25-621
533mm (21")	25-622

Vionaro Front Locking Device	
Description	Item No.
Font locking device with flange, left	25-632A
Font locking device with flange, right	25-632B

Order Dynapro Slides based on Vionaro drawer side length

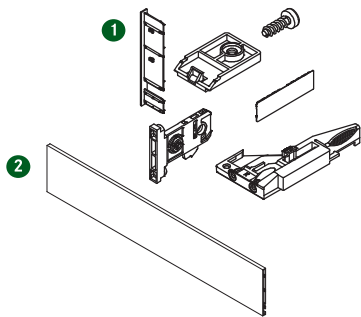


# GRASS VIONARO H89 Inset Drawer System

- Color-coordinated aluminum front panel profile
- 89mm (3 1/2") side height
- Cubist design with 90° angles
- Slimline 13mm (1/2") side width
- Bottom panel is cut to size without notching

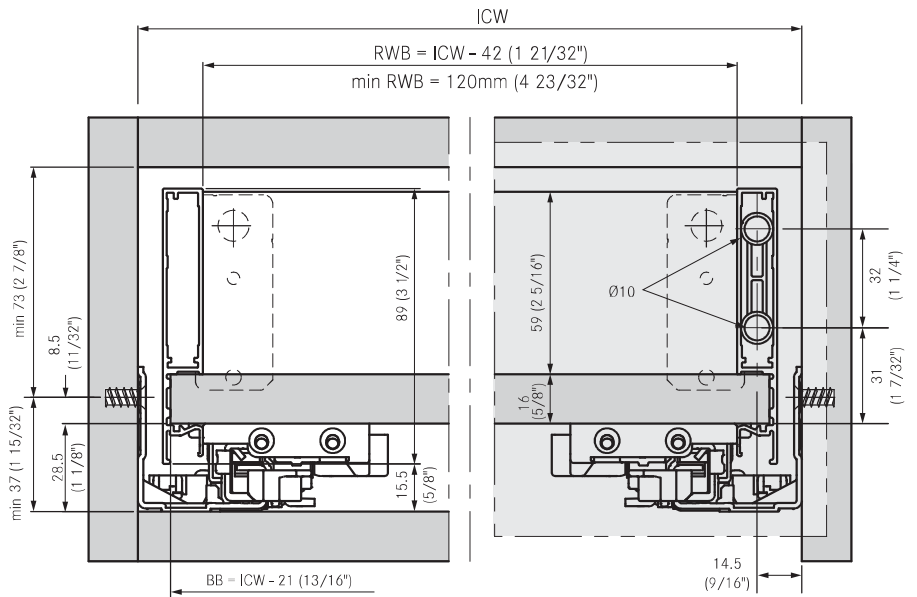
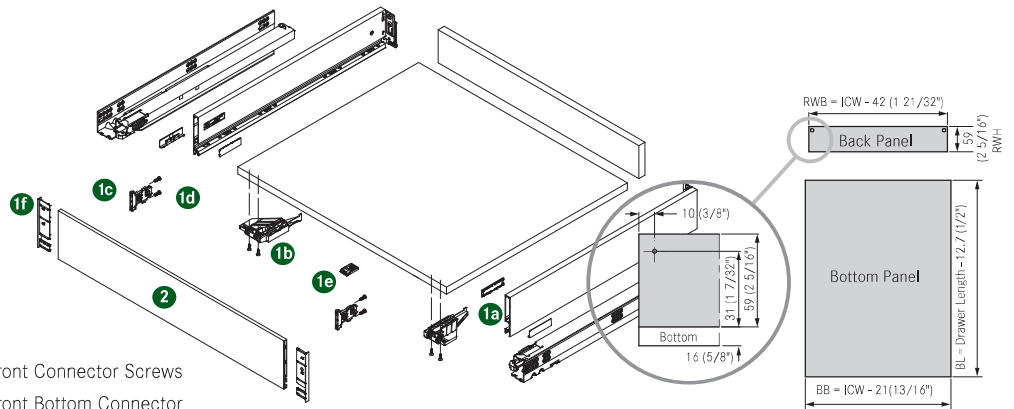


**H89 inset front panels can be cut to length.** One side is pre-drilled and a drilling template is provided for the other side for accurate installation. Assembly instructions for the accessory set are included with each panel.



Accessory set consists of:

- 1a** 2 - Cover Cap
- 1b** 1 - Front Locking Device Set, left/right
- 1c** 2 - Front Connector
- 1d** 4 - Front Connector Screws
- 1e** 1 - Front Bottom Connector
- 1f** 2 - End cap

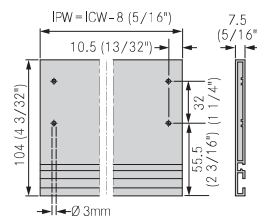


BB = bottom panel width    IDW = inside drawer width  
BL = bottom panel length    RWB = back panel width  
ICW = inside cabinet width    RWH = back panel height  
IPW = inside panel width

Front Panel Measurements

## ORDER INFORMATION

<b>H89 Inset Drawer</b>	<b>Silver Grey</b>
Description	Item No.
Accessory kit	25-636SG
<b>H89 Inset Drawer</b>	<b>Graphite</b>
Description	Item No.
Accessory kit	25-636
<b>H89 Inset Drawer</b>	<b>Silver Grey</b>
Description	Item No.
Inset Front Panel	25-634SG
<b>H89 Inset Drawer</b>	<b>Graphite</b>
Description	Item No.
Inset Front Panel	25-634



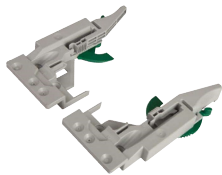
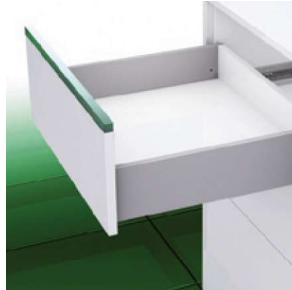
Subject to technical modifications without notice



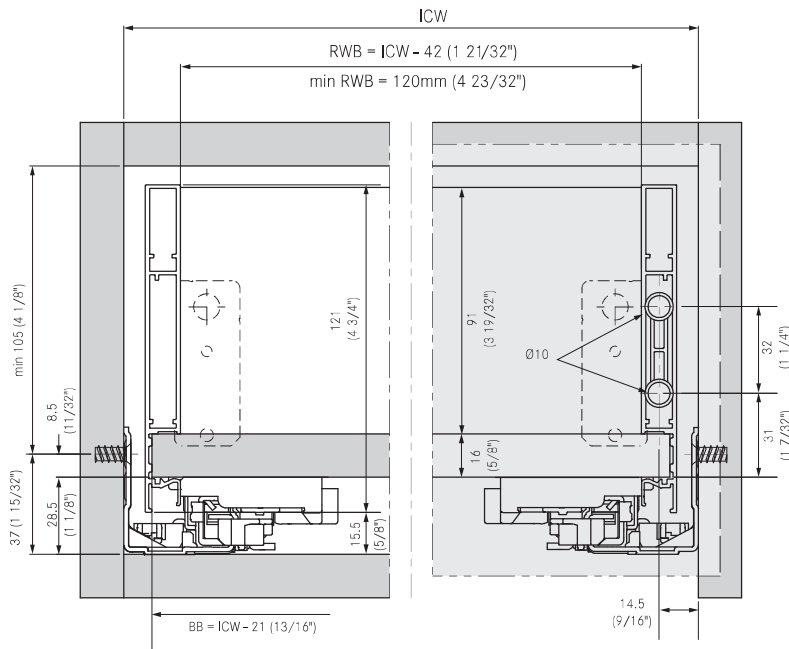
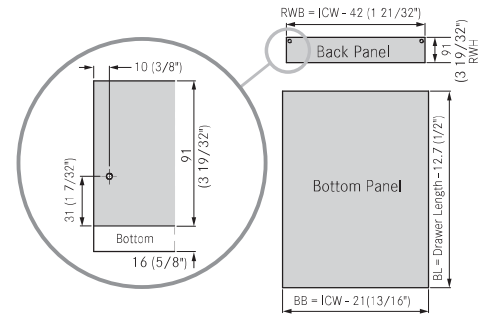
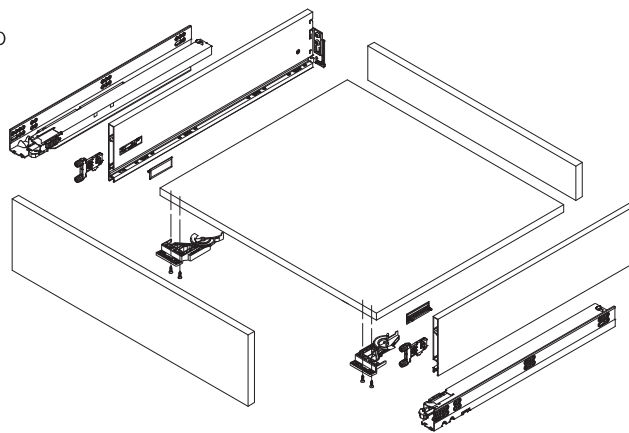
# GRASS VIONARO

## Height 121mm (4 3/4")

- Cubist design with 90° angles
- Slimline 13mm (1/2") side width
- 3-dimensional adjustment
- Integrated side and height adjustment, tilt angle adjustment at back
- Bottom panel is cut to size without notching
- Tool-free front assembly
- For frame and frameless cabinetry
- Compatible with Dynapro 16 with 2D or 3D adjustment
- Adapter Set for 89mm height with 2 front connectors and cover caps are included



Vionaro Front Locking Device



BB = bottom panel width    IDW = inside drawer width  
 BL = bottom panel length    RWB = back panel width  
 ICW = inside cabinet width    RWH = back panel height

### ORDER INFORMATION

Vionaro 121mm	White
Nominal Length	Item No.
533mm (21")	25-626WH

Vionaro 121mm	Silver Grey
Description	Item No.
381mm (15")	25-624SG
457mm (18")	25-625SG
533mm (21")	25-626SG

Vionaro 121mm	Graphite
Description	Item No.
381mm (15")	25-624
457mm (18")	25-625
533mm (21")	25-626

Vionaro Front Locking Device	
Description	Item No.
Font locking device with flange, left	25-632A
Font locking device with flange, right	25-632B

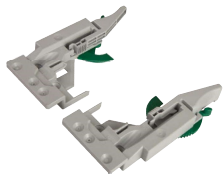
Order Dynapro Slides based on Vionaro drawer side length

Subject to technical modifications without notice

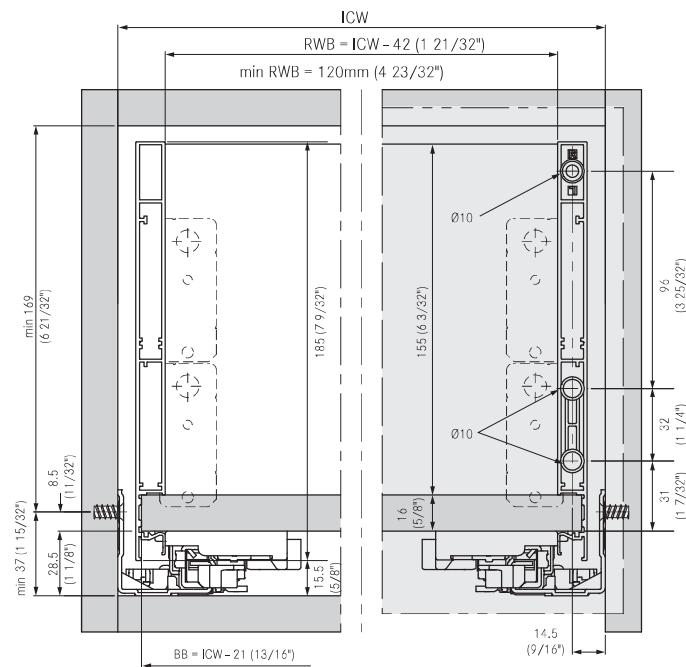
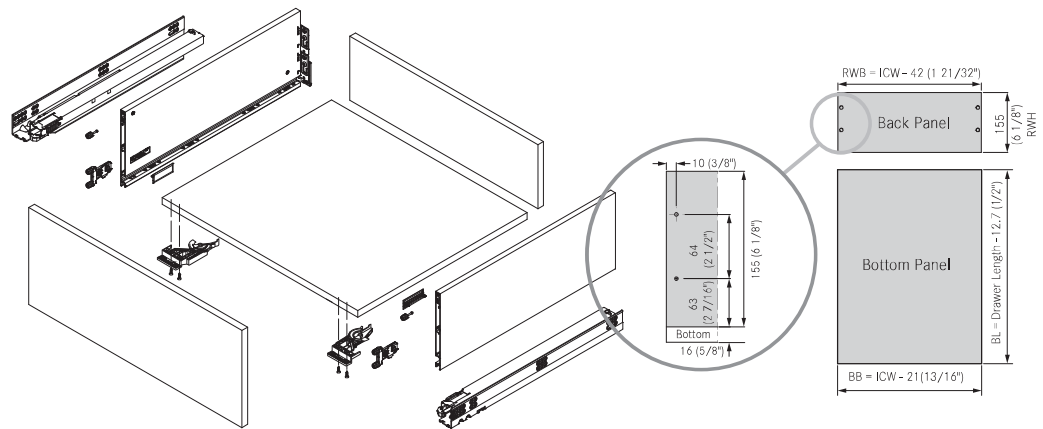
# GRASS VIONARO

## Height 185mm (7 1/4")

- Cubist design with 90° angles
- Slimline 13mm (1/2") side width
- 3-dimensional adjustment
- Integrated side and height adjustment, tilt angle adjustment at back
- Bottom panel is cut to size without notching
- Tool-free front assembly
- For frame and frameless cabinetry
- Front adapter with stabilizer ensures maximum stability on tall fronts
- Compatible with Dynapro 16 with 2D or 3D adjustment
- Adapter Set for 185mm height with 2 front connectors and cover caps are included



Vionaro Front Locking Device



BB = bottom panel width    IDW = inside drawer width  
 BL = bottom panel length    RWB = back panel width  
 ICW = inside cabinet width    RWH = back panel height

### ORDER INFORMATION

Vionaro 185mm	White
Nominal Length	Item No.
533mm (21")	25-630WH

Vionaro 185mm	Silver Grey
Description	Item No.
381mm (15")	25-628SG
457mm (18")	25-629SG
533mm (21")	25-630SG

Vionaro 185mm	Graphite
Description	Item No.
381mm (15")	25-628
457mm (18")	25-629
533mm (21")	25-630

Vionaro Front Locking Device	
Description	Item No.
Font locking device with flange, left	25-632A
Font locking device with flange, right	25-632B

Order Dynapro Slides based on Vionaro drawer side length

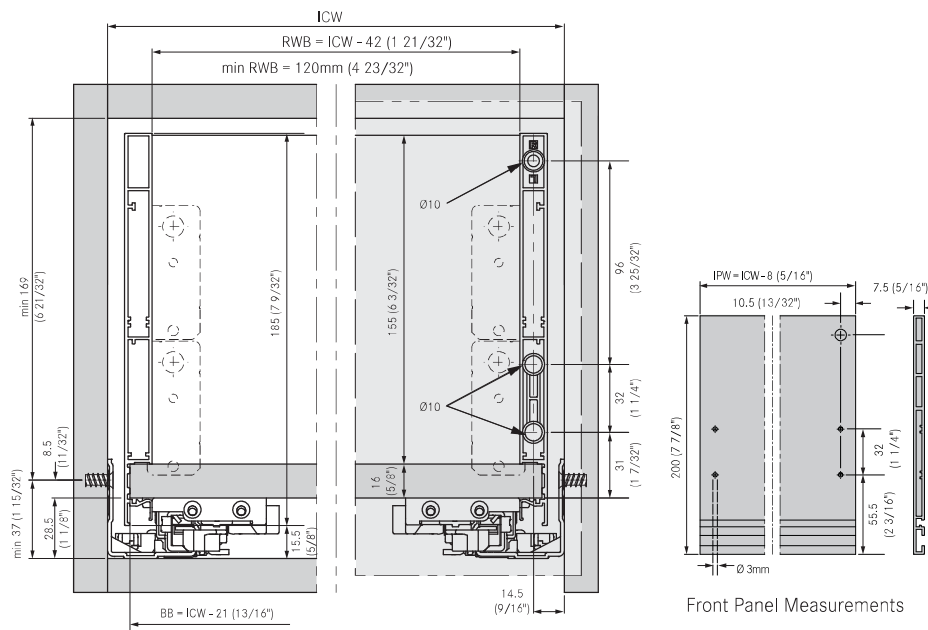
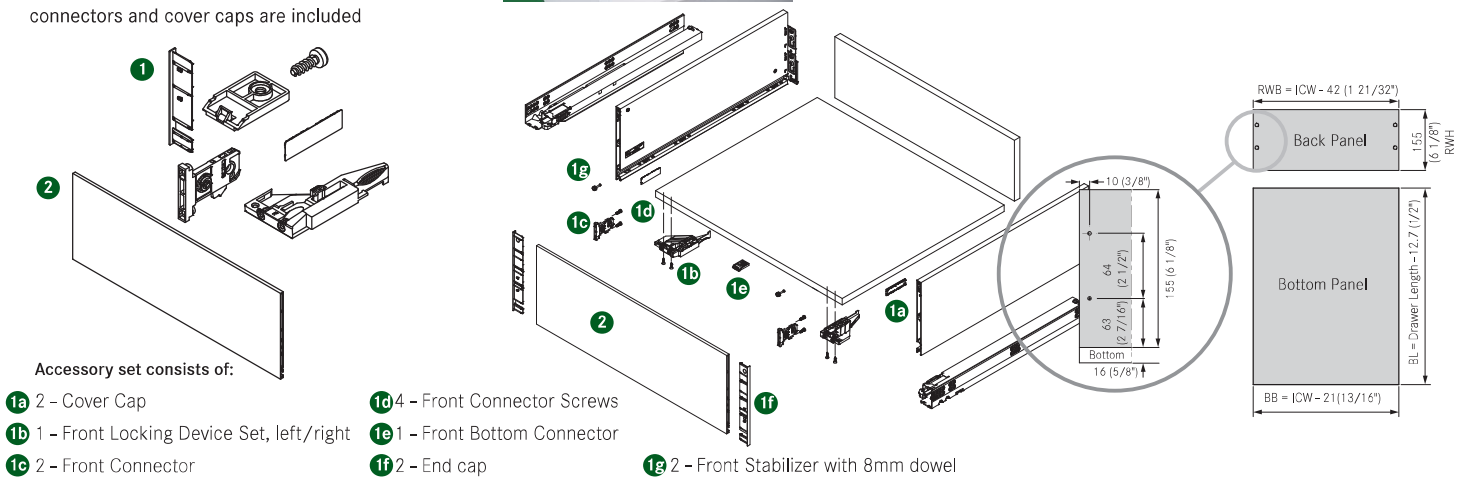
Subject to technical modifications without notice

# GRASS VIONARO H185 Inset Drawer System

- Color-coordinated aluminum front panel profile
- 185mm (7 1/4") side height
- Cubist design with 90° angles
- Slimline 13mm (1/2") side width
- Bottom panel is cut to size without notching
- Adapter Set for 185mm height with 2 front connectors and cover caps are included



**H185 inset front panels can be cut to length.**  
One side is pre-drilled and a drilling template is provided for the other side for accurate installation. Assembly instructions for the accessory set are included with each panel.



## ORDER INFORMATION

H185 Inset Drawer	Silver Grey
Description	Item No.
Accessory kit	25-637SG

H185 Inset Drawer	Graphite
Description	Item No.
Accessory kit	25-637

H185 Inset Drawer	Silver Grey
Description	Item No.
Inset Front Panel	25-638SG

H185 Inset Drawer	Graphite
Description	Item No.
Inset Front Panel	25-638

Order Dynapro Slides based on Vionaro drawer side length

- BB = bottom panel width
- BL = bottom panel length
- ICW = inside cabinet width
- IDW = inside drawer width
- RWB = back panel width
- RWH = back panel height

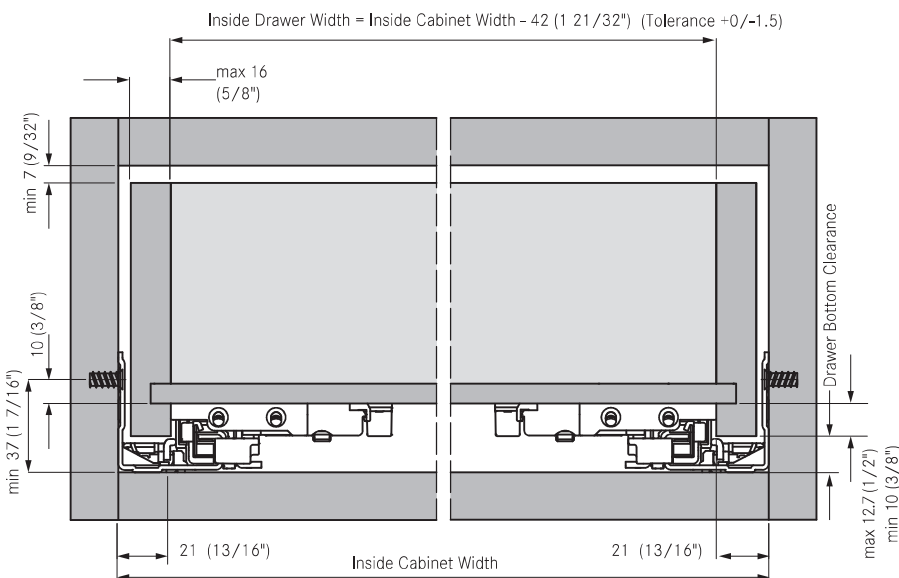
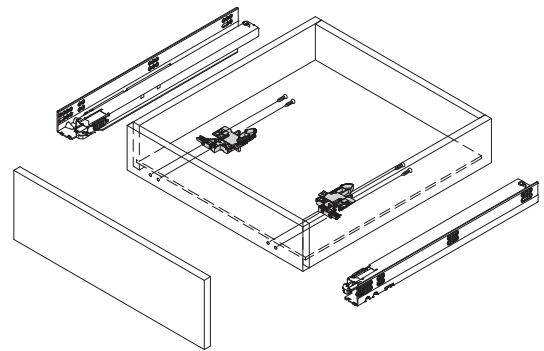
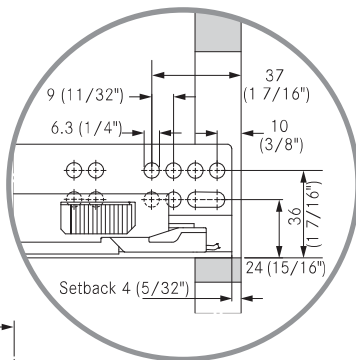
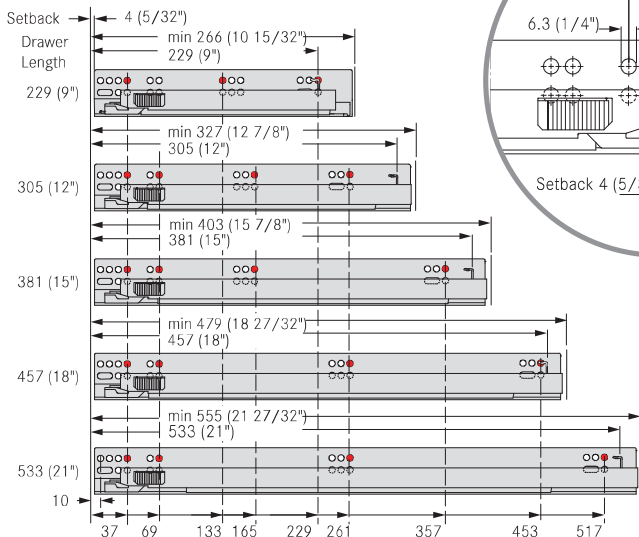
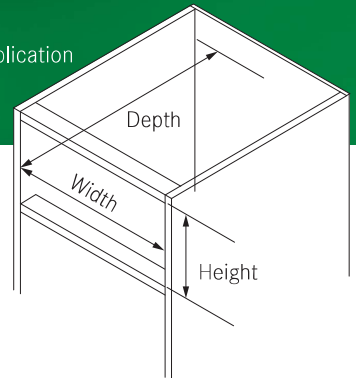
# DYNAPRO 16

## 2D for 5/8" drawer material

- For 5/8" (16 mm) drawer material
- Concealed undermount slide
- Full extension with a synchronized mechanism
- Soft-close damping system
- Maximum connection to drawer slide and front locking device
- Integrated 2-dimensional adjustment for alignment (2-D)
- Height adjustment + 3.5 mm
- Side adjustment ± 1.5 mm
- 100 lbs. LOAD rating (45 kg)

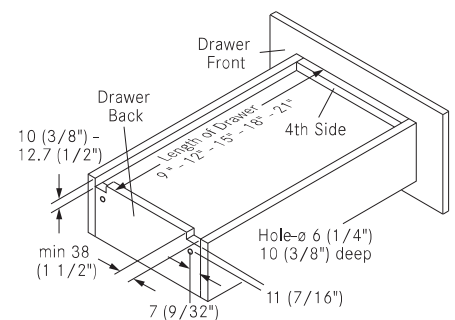


Frameless Application



### ORDER INFORMATION

Dynapro 16mm 2D	
Nominal Length	Item No.
229mm (9")	25-912A
305mm (12")	25-914A
381mm (15")	25-916A
457mm (18")	25-918A
533mm (21")	25-920A



Subject to technical modifications without notice

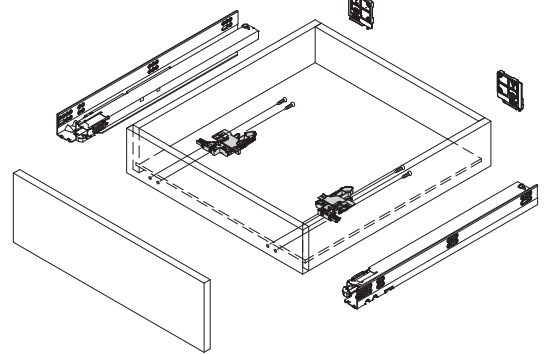
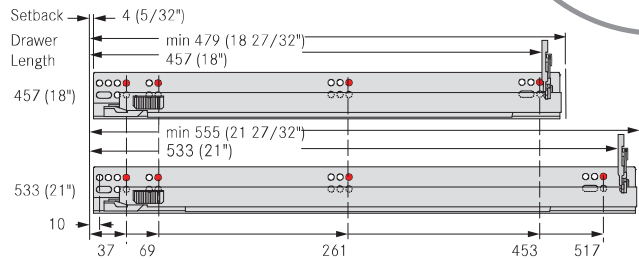
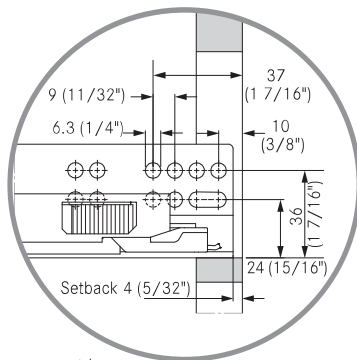
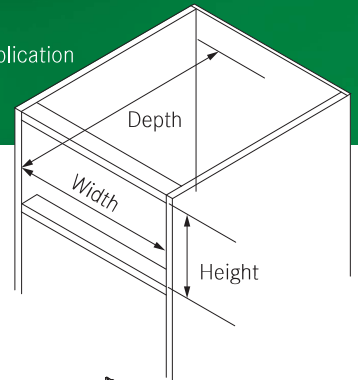
# DYNAPRO 16

## 3D for 5/8" drawer material

- For 5/8" (16 mm) drawer material
- Concealed undermount slide
- Full extension with a synchronized mechanism
- Soft-close damping system
- Maximum connection to drawer slide and front locking device
- Integrated 3-dimensional adjustment for alignment (3-D)
- Height adjustment + 3.5 mm
- Side adjustment ± 1.5 mm
- Tilt adjustment +4.0mm
- 100 lbs. LOAD rating (45 kg)
- Other lengths available by special order

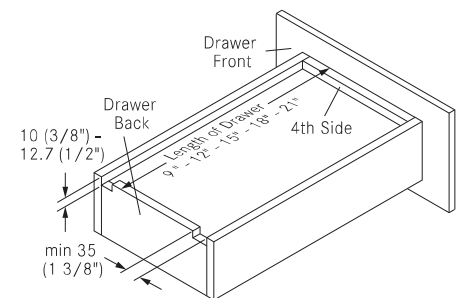
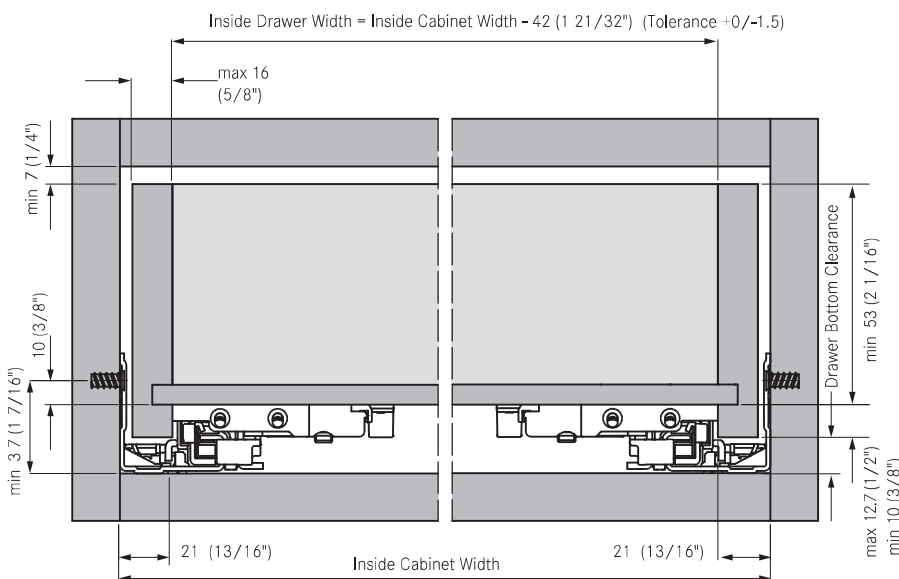


Frameless Application



### ORDER INFORMATION

Dynapro 16mm 3D	
Nominal Length	Item No.
457mm (18")	25-960A
533mm (21")	25-962A

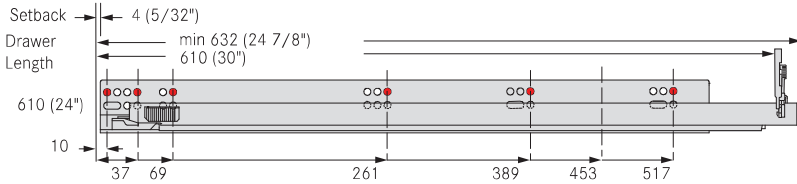
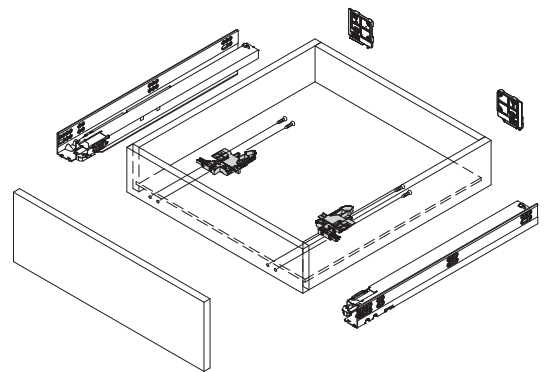
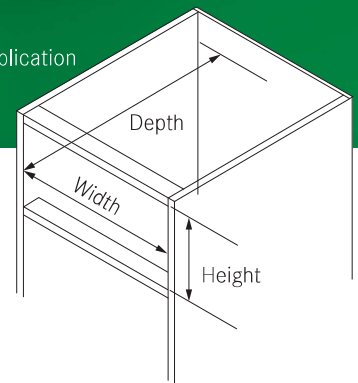
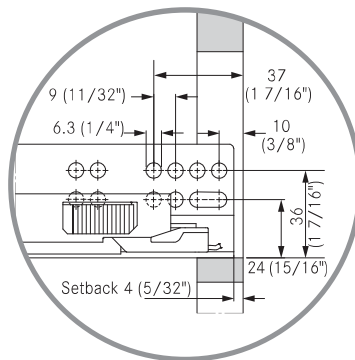
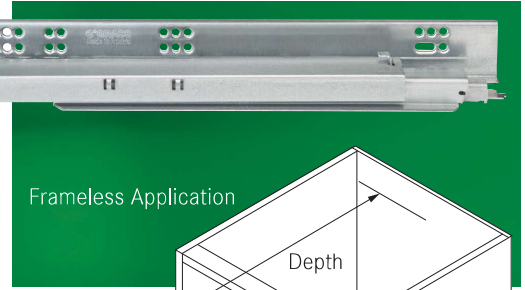


Subject to technical modifications without notice



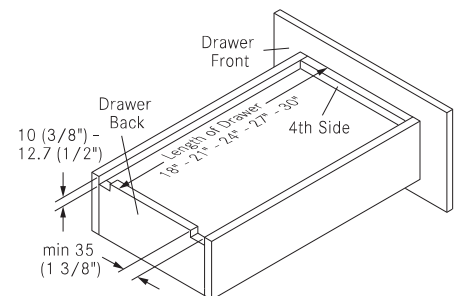
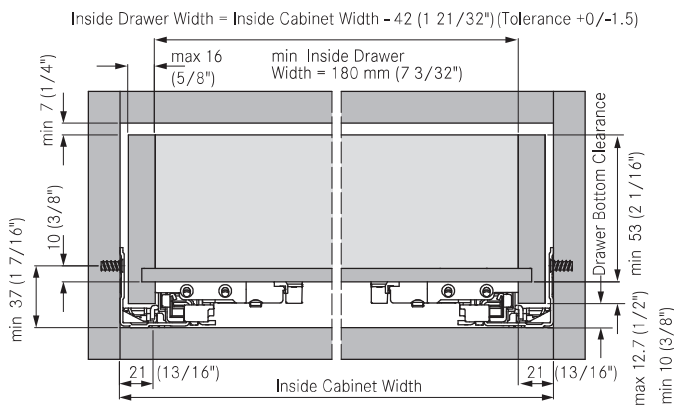
# DYNAPRO 16 HEAVY DUTY 3D for 5/8" drawer material

- For 5/8" (16 mm) drawer material
- Concealed undermount slide
- Full extension with a synchronized mechanism
- Soft-close damping system
- Maximum connection to drawer slide and front locking device
- Integrated 2-dimensional adjustment for alignment (2-D)
- Height adjustment + 3.5 mm
- Side adjustment ± 1.5 mm
- Tilt adjustment +4.0mm
- 132 lbs. LOAD rating (60 kg)
- Other lengths available by special order



## ORDER INFORMATION

Dynapro 16mm Heavy Duty	
Nominal Length	Item No.
610mm (24")	25-922A

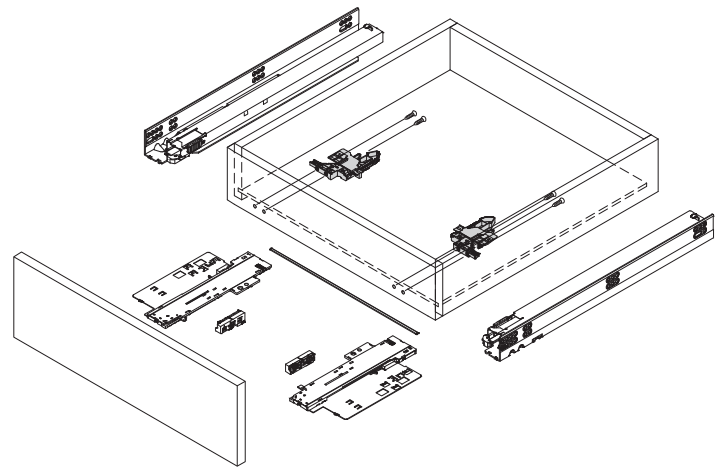
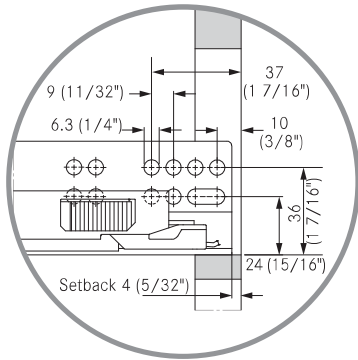


Subject to technical modifications without notice

# TIPMATIC SOFT-CLOSE

## For 5/8" drawer material

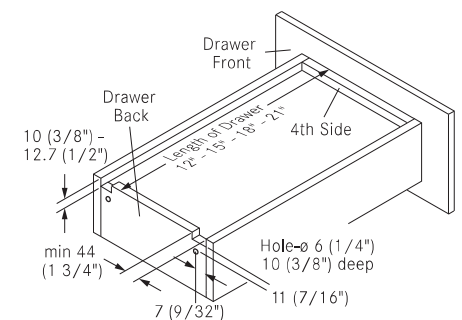
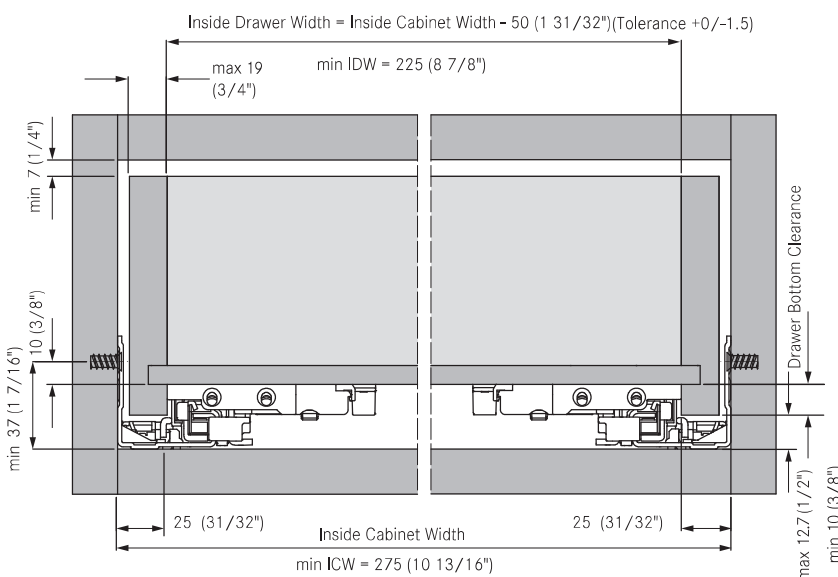
- Frameless applications for 16mm (5/8") drawer material
- Mechanical opening system for handle-free fronts
- Combines Tipmatic function with Soft-close damping
- Tool-free assembly of the Tipmatic Soft-close unit
- One unit for nominal lengths 305mm (12") up to 610mm (24")
- 3 tier adjustment for the opening force
- Wide activation zone due to synchronization bar
- Tipmatic synchronization bar is 952mm (37 1/2") cut to length, works on 1200mm cabinet
- Works with all Dynapro types including heavy duty
- Works with Vionaro drawers
- Dynapro Tipmatic Soft-close works with all Dynapro front locking devices



### ORDER INFORMATION

Dynapro Tipmatic Soft-close	
Must order separately	Item No.
Unit and activator	25-990
Synchronization bar	25-992

Note: Tipmatic Soft-close does not work with 9" slides.



Subject to technical modifications without notice

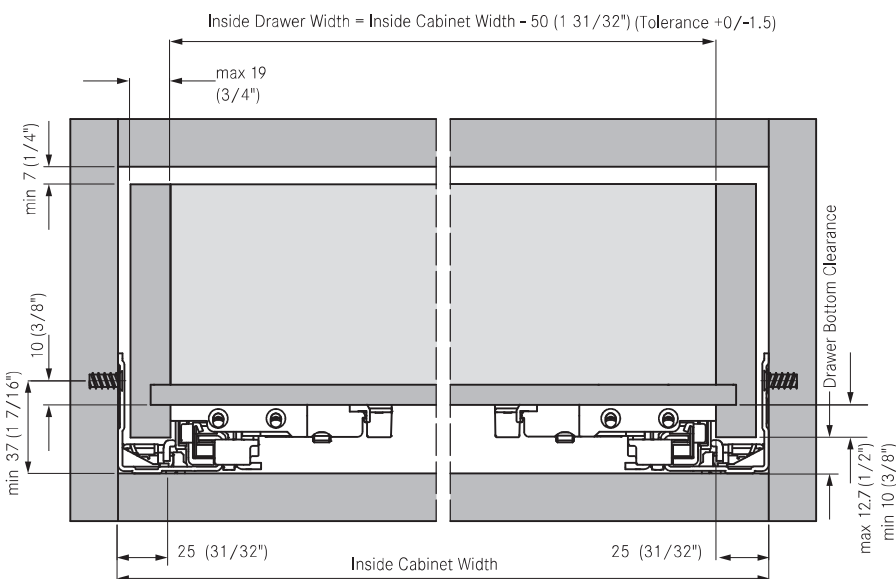
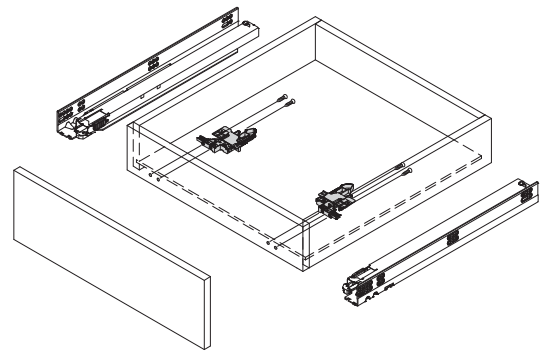
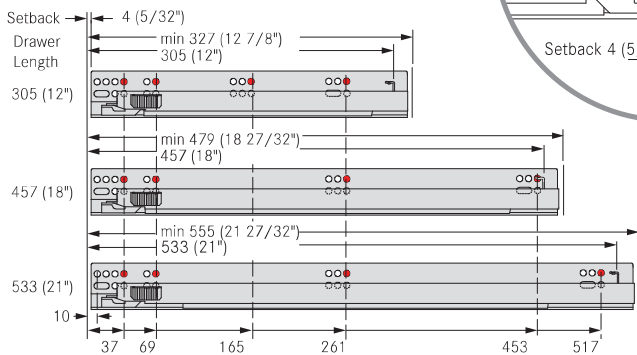
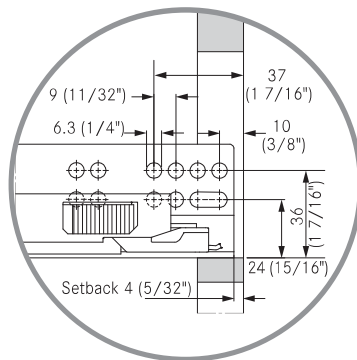
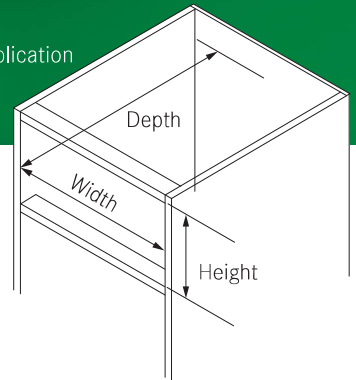
# DYNAPRO 19

## 2D for 3/4" drawer material

- For 3/4" (19 mm) drawer material
- Concealed undermount slide for frameless application
- Full extension with a synchronized mechanism
- Soft-close damping system
- Maximum connection to drawer slide and front locking device
- Integrated 3-dimensional adjustment for alignment (3-D)
- Height adjustment + 3.5 mm
- Side adjustment ± 1.5 mm
- Tilt adjustment +4.0mm
- 100 lbs. LOAD rating (45 kg)
- Other lengths available by special order

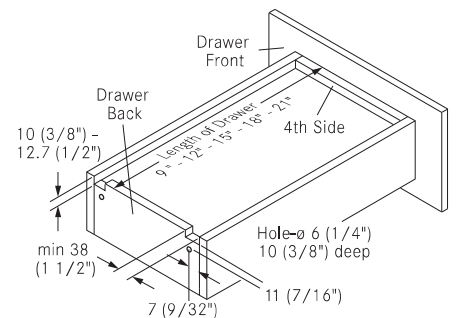


Frameless Application



### ORDER INFORMATION

Dynapro 19mm 2D	
Nominal Length	Item No.
305mm (12")	25-966A
457mm (18")	25-970A
533mm (21")	25-972A



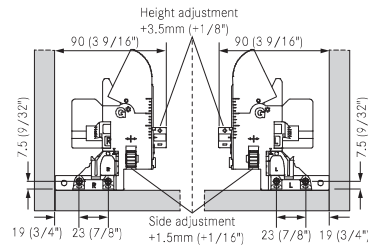
Subject to technical modifications without notice

# DYNAPRO

## Front Locking Devices and Rear Mounting Brackets

### Front Locking Device

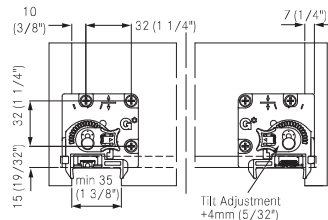
- Provides height and side adjustment for drawers
- For standard width drawers
- For standard width inset drawers
- Minimum inside drawer width 180mm (7 3/32")
- Height adjustment range: +3.5mm
- Side adjustment range: max ±1.5mm
- Pre-drilling recommended Ø2.5mm (3/32")



	Item No.
Left	25-932A
Right	25-932B

### Tilt Adjustment Adapter

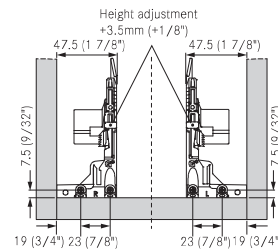
- Use with all Dynapro 3D slides
- Provides tilt adjustment for Dynapro and Dynapro heavy duty
- Tilt adjustment range: +4mm (5/32")
- For frameless or face frame applications
- Pre-drilling recommended Ø2.5mm (3/32")



	Item No.
Left	25-932C
Right	25-932D

### Narrow Front Locking Device

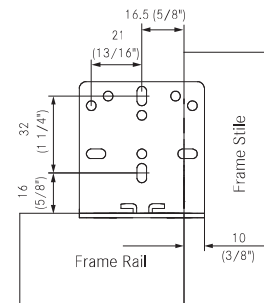
- Provides height adjustment for drawers
- For narrow and standard width drawers
- For narrow and standard width inset drawers
- Minimum inside drawer width 95mm (3 3/4")
- Height adjustment range: +3.5mm
- Pre-drilling recommended Ø2.5mm (3/32")



	Item No.
Left	25-932E
Right	25-932F

### Rear Mounting Bracket for 12" - 21" Slides

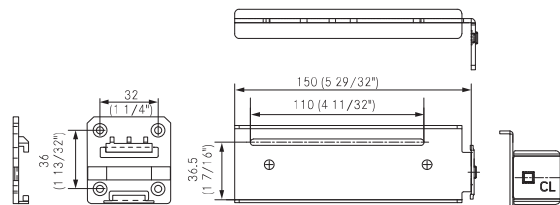
- For 12" - 21" drawers
- For face frame application
- Pre-drilling recommended Ø2.5mm (3/32")



	Item No.
Universal	25-948

### Rear Mounting Socket for 9" Slides

- For 9" drawer
- For face frame application
- For installation depth min 273mm (10 3/4") to 352mm (13 7/8")
- Pre-drilling recommended Ø2.5mm (3/32")



Special Order

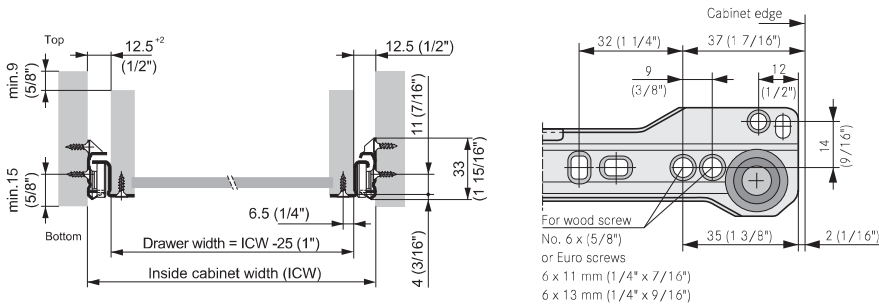
# 1702 DRAWER SLIDE

## Bottom Mount, 100 lb.

- White epoxy slide
- Single-extension slide with nylon rollers
- Installation width 12.7mm (1/2"), bottom mounting
- Parallel closing
- Secure closing, minimum gap widths
- Bottom edge clearance - no chamfering required
- Clearance of screw head in cabinet slide
- Double stop
- Secure stop in open position
- Use rear mount socket for face frame application

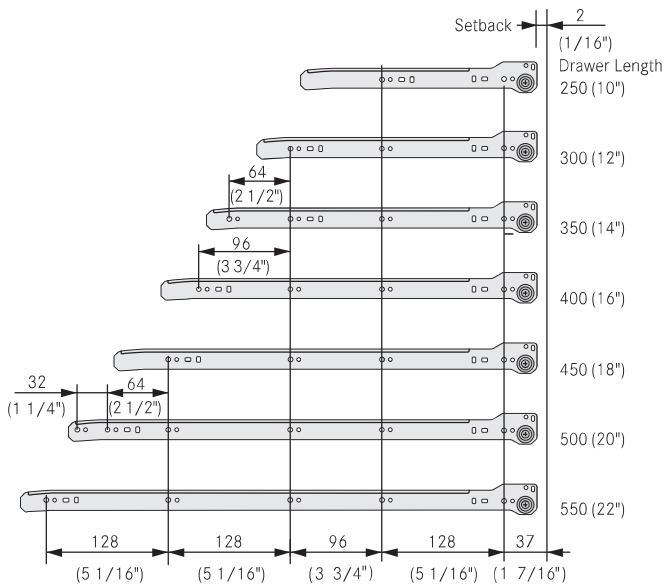


Variety of lengths are vertically interchangeable in 32mm system

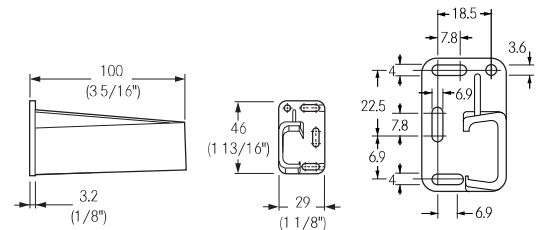


### ORDER INFORMATION

1702 Drawer Slide	
Nominal Length	Item No.
250mm (10")	26-300
300mm (12")	26-302
350mm (14")	26-304
400mm (16")	26-306
450mm (18")	26-308
500mm (20")	26-310
550mm (22")	26-312



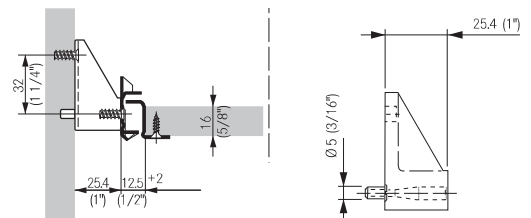
- 4" rear mount socket for 1702 single extension slide



Rear Mount Socket	
Description	Item No.
Plastic, White, Left	26-296
Plastic, White, Right	26-298



- To provide side clearance for interior drawers and Pull-out shelves.



Asymmetrical Distance Block	
Description	Item No.
Plastic, white, distance block	25-340

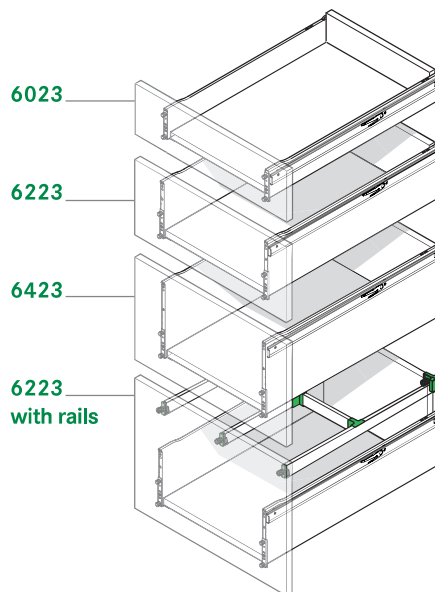


## GRASS ZBOX Steel Drawer with Ball Bearing Slides

### Innovative functional solutions.

For years the Zargen metal drawer system has provided cabinet makers the quality, functionality, and versatility expected of Grass hardware. Now Grass is offering all the same features of the Zargen system but with one new twist—Zargen mounted to a Ball Bearing slide.

Introducing ZBox. ZBox offers full extension standard drawers and deep drawers, a railing system, and Pendaflex filing systems. Discover the endless possibilities with Grass ZBox.



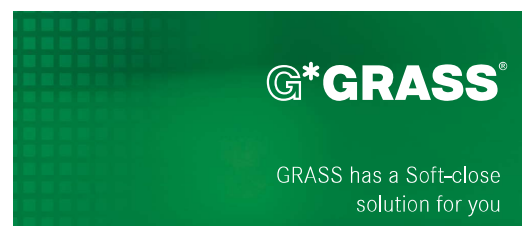
**A full line**  
A variety of heights with  
or without rails.

## Modern & Complete

### Flexibility to the most demanding design needs.

If necessity is the mother of invention, Grass is the father of innovation. One idea has grown into a state of the art product that fills the needs of a growing market.

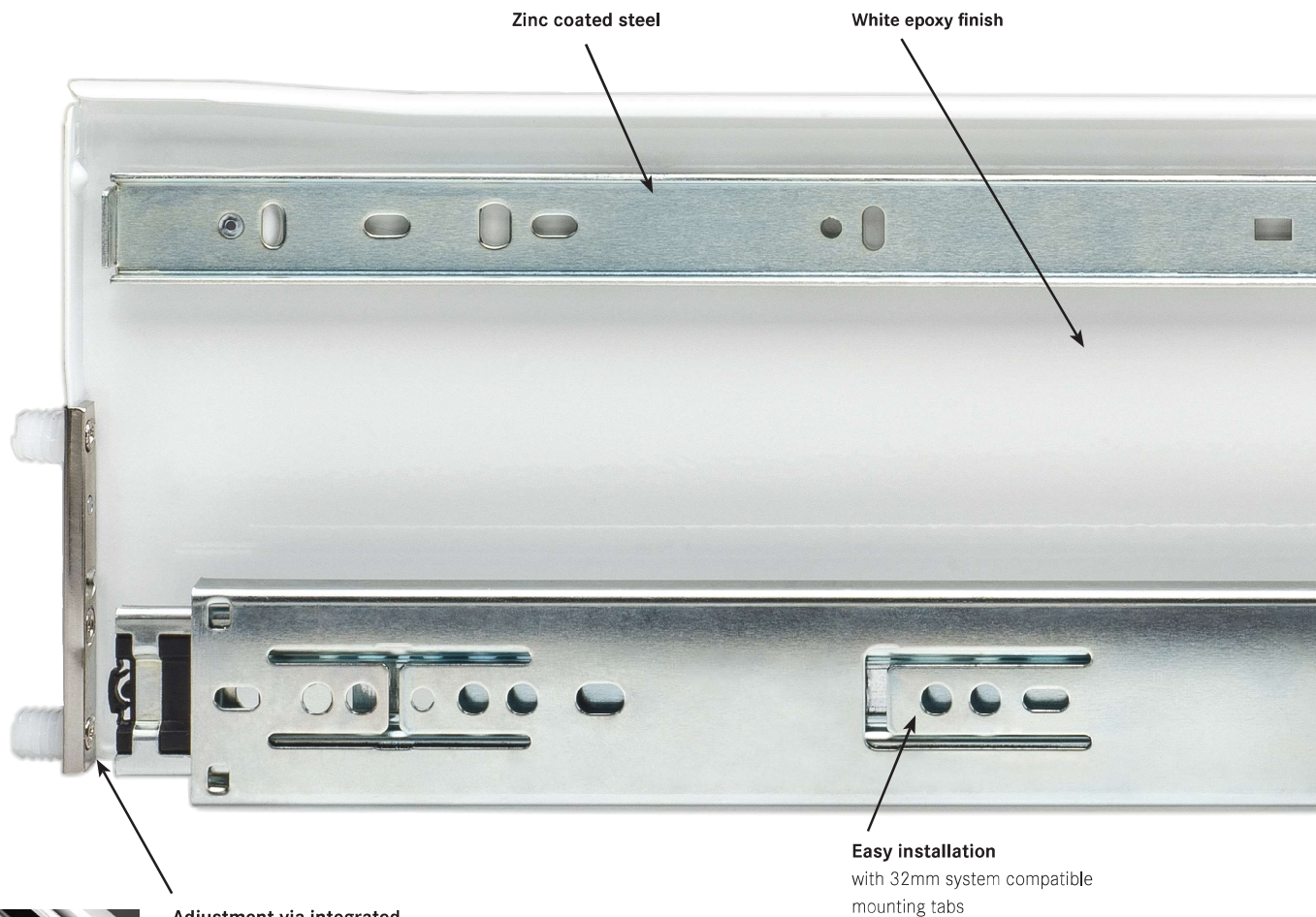
Grass introduces ZBox. Assemble a Zargen drawer side with a Grass full extension ball bearing drawer slide to create a full extension metal drawer – ZBox. The combined strength of the ball bearing slides with the Zargen’s steel construction offers a drawer solution that saves time and money with its quick drawer box construction and simple installation.



**Features**



- Integrated side mount ball bearing drawer slide and metal drawer side
- Ball bearing telescopic full extension
- Hold-in detent ensures drawers stay closed
- Easy lever disconnect for removal of drawer box from cabinet member
- Drawer side – white epoxy finish; Drawer slide – zinc coated steel
- Load capacity: 100 lb dynamic, 100 lb static
- Adjustments: Cam Height  $\pm 2\text{mm}$ , Side  $\pm 1.5\text{mm}$
- Zargen is made in the USA, ZBox is assembled in the USA



Zinc coated steel

White epoxy finish

**Easy installation**  
with 32mm system compatible  
mounting tabs



**Adjustment via integrated front fixing bracket**  
Height adjustment  $\pm 2\text{mm}$   
Side adjustment  $\pm 1.5\text{mm}$

ZBox combines the performance of ball bearing smoothness with the strength and adjustability of the Zargen Drawer System. A combination backed by GRASS.

**Features**

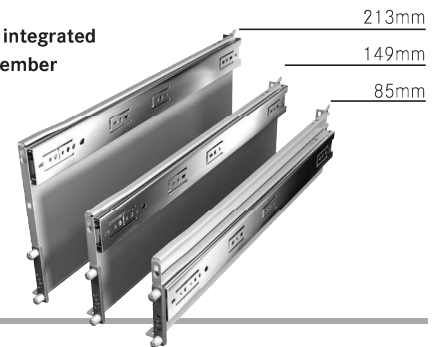
- Frameless or face frame application
- Zargen side: white epoxy finish
- Ball bearing slide: zinc coated steel
- Front slotted hole for face frame mounting
- Continuous bearings ensure smooth running performance
- Manufactured from cold rolled steel
- Face frame rear mounting bracket available
- Meets and exceeds ANSI/BHMA A156.9 Grade 1 testing requirements

Release lever for easy drawer removal

Suitable for face frame and frameless cabinets



Three drawer heights with integrated drawer side and cabinet member

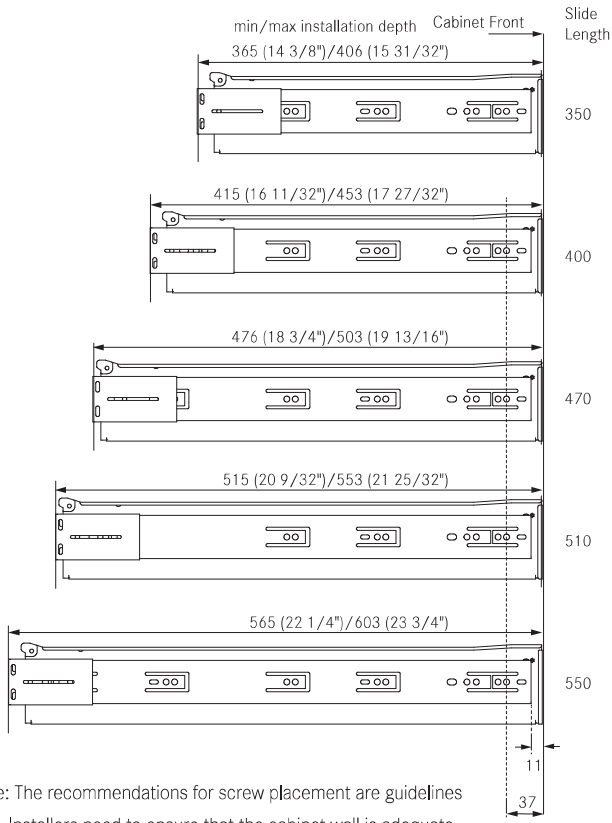


Subject to technical modifications without notice

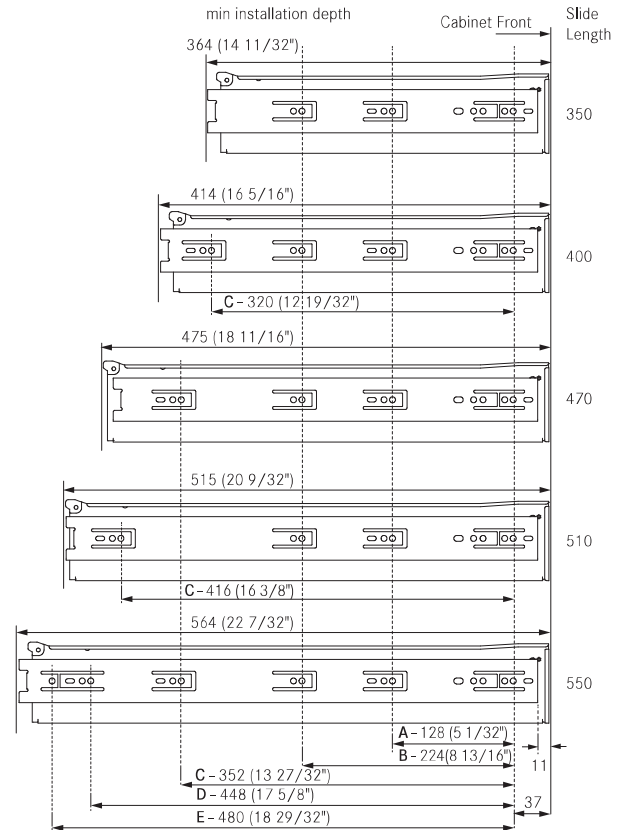


### Cabinet Boring Specifications

#### Face Frame



#### Frameless

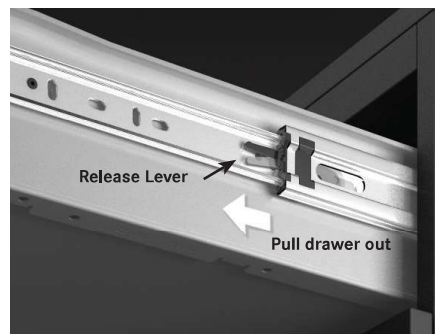


Slide Length	Slide Travel	Screw Hole Locations					Face Frame		Frameless
		A	B	C	D	E	Min	Max	Min
350 (13 3/4")	350	128	224	-	-	-	365 (14 3/8")	406 (15 31/32")	364 (14 11/32")
400 (15 3/4")	400	128	224	320	-	-	415 (16 11/32")	453 (17 27/32")	414 (16 5/16")
470 (18 1/2")	450	128	224	352	-	-	476 (18 3/4")	503 (19 13/16")	475 (18 11/16")
510 (20 1/16")	500	128	224	416	-	-	515 (20 9/32")	553 (21 25/32")	515 (20 9/32")

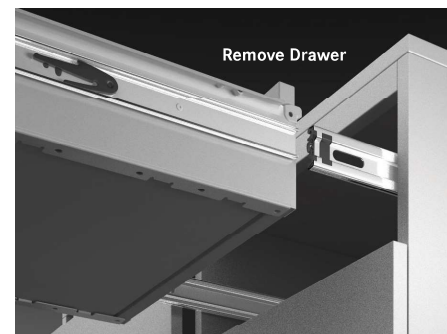
#### Removing the Drawer



Pull out drawer to expose the release lever mechanism



Easy Release Lever:  
Right Side - push down; Left Side - push up  
Pull out the drawer

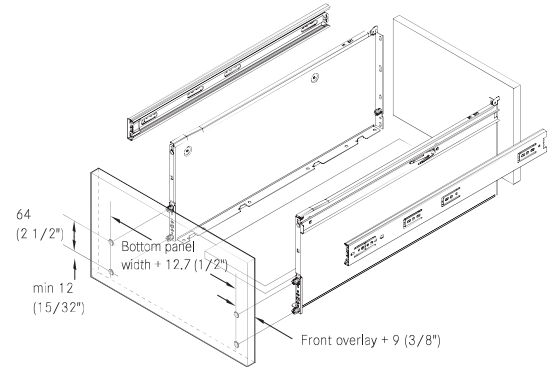


Remove drawer

# ZBOX 6423

## Height 213mm (8 3/8")

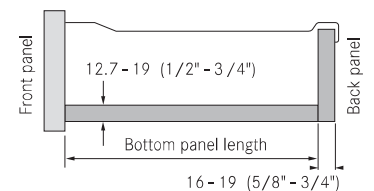
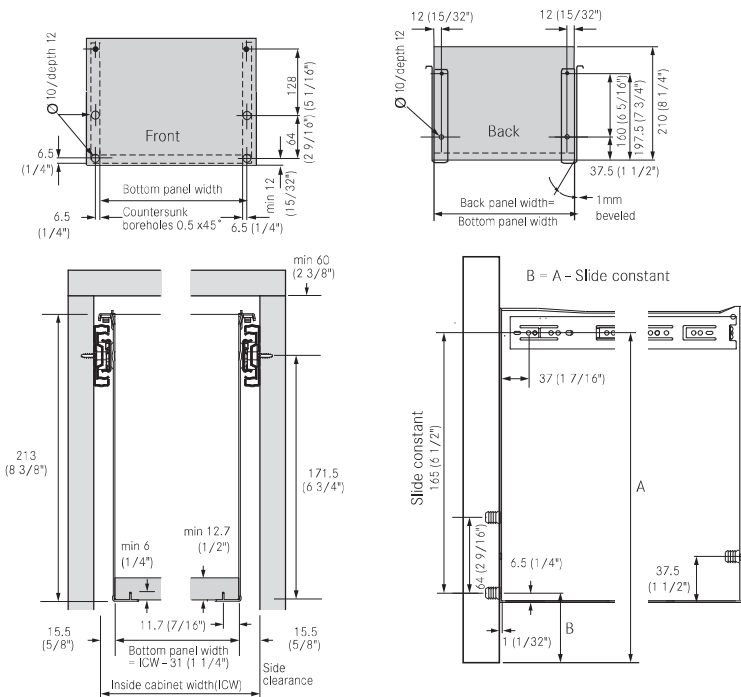
- Integrated side mount ball bearing drawer slide and metal drawer side
- Ball bearing telescopic full extension
- Hold-in detent ensures drawers stay closed
- Easy lever disconnect for removal of drawer box from cabinet member
- Drawer side – white epoxy finish; Drawer slide – zinc coated steel
- Load capacity: 100 lb dynamic, 100 lb static
- Adjustments: Cam Height  $\pm 2$ mm, Side  $\pm 1.5$ mm
- Zargen made in the USA, ZBox assembled in USA



### ORDER INFORMATION

ZBox 6423	
Drawer Length	Item No.
350mm (13 3/4")	25-660
400mm (15 3/4")	25-662
470mm (18 1/2")	25-664
510mm (20 1/16")	25-666
550mm (21 5/8")	25-668

Rear Bracket	
Face frame rear mount bracket	Item No.
Face frame rear mount bracket	25-670



Subject to technical modifications without notice

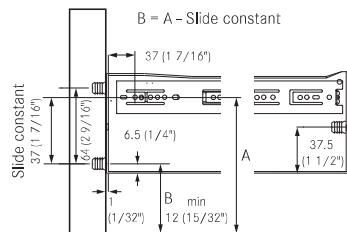
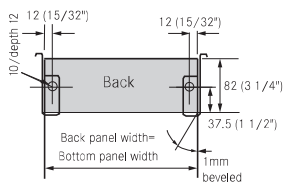
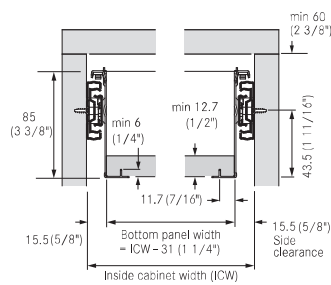
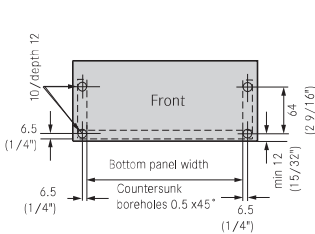
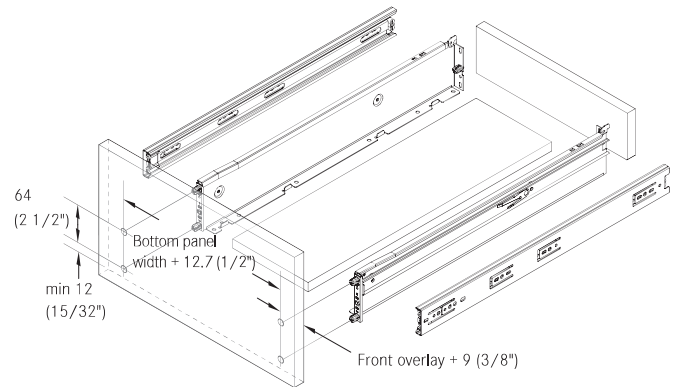
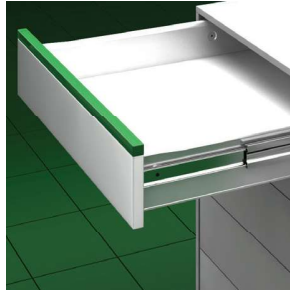




# ZBOX 6023

## Height 85mm (3 3/8")

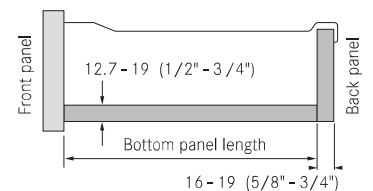
- Integrated side mount ball bearing drawer slide and metal drawer side
- Ball bearing telescopic full extension
- Hold-in detent ensures drawers stay closed
- Easy lever disconnect for removal of drawer box from cabinet member
- Drawer side – white epoxy finish; Drawer slide – zinc coated steel
- Load capacity: 100 lb dynamic, 100 lb static
- Adjustments: Cam Height  $\pm 2$ mm, Side  $\pm 1.5$ mm
- Zargen made in the USA, ZBox assembled in USA



### ORDER INFORMATION

ZBox 6023	
Drawer Length	Item No.
350mm (13 3/4")	25-640
400mm (15 3/4")	25-642
470mm (18 1/2")	25-644
510mm (20 1/16")	25-646
550mm (21 5/8")	25-648

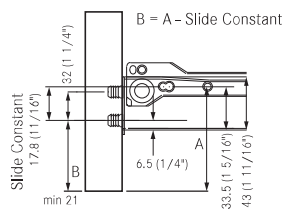
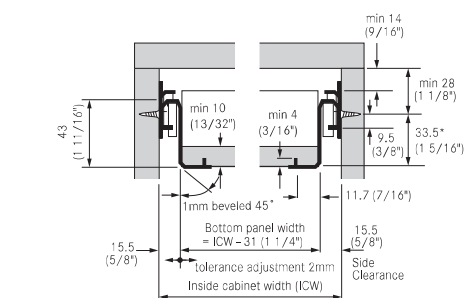
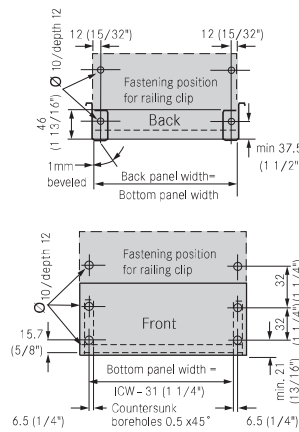
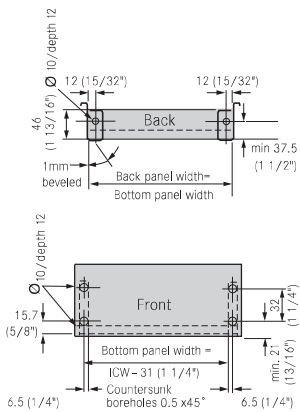
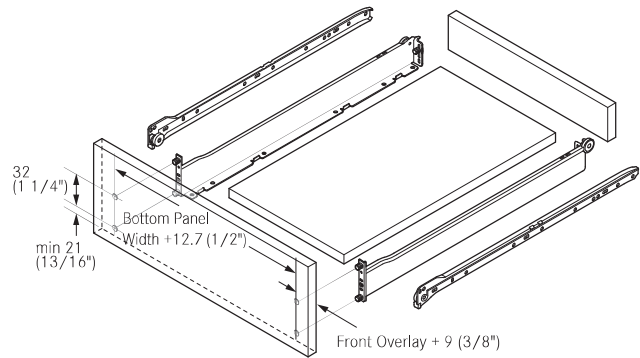
Rear Bracket	
Item No.	
Face frame rear mount bracket	25-670



# ZARGEN 6035

## Height 43mm (1 11/16")

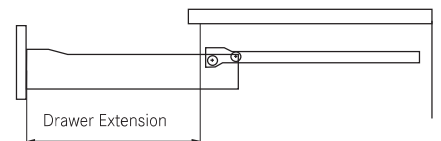
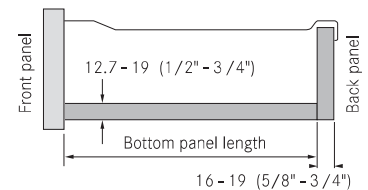
- Integrated drawer slide and drawer side
- Self-close feature with 60mm (2 3/8") closing range
- Built-in drawer front bumpers
- Quick assembly through dowelled and integrated front fixing brackets
- White epoxy finish
- Tolerance adjustment 2mm (3/32")
- Load capacity: 100 lb
- Adjustments: Cam height (± 2mm), side (± 1.5mm)
- Made in the USA



\*Allow minimum of 3mm (1/8") for bottom clearance. If Screws are used, increase clearance accordingly.

### ORDER INFORMATION

Zargen 6035 - 10 pack	
Slide Length	Item No.
350mm (13 3/4")	25-782
400mm (15 3/4")	25-796
440mm (17 3/8")	25-784
470mm (18 1/2")	25-786
510mm (20 1/16")	25-788
550mm (21 5/8")	25-790

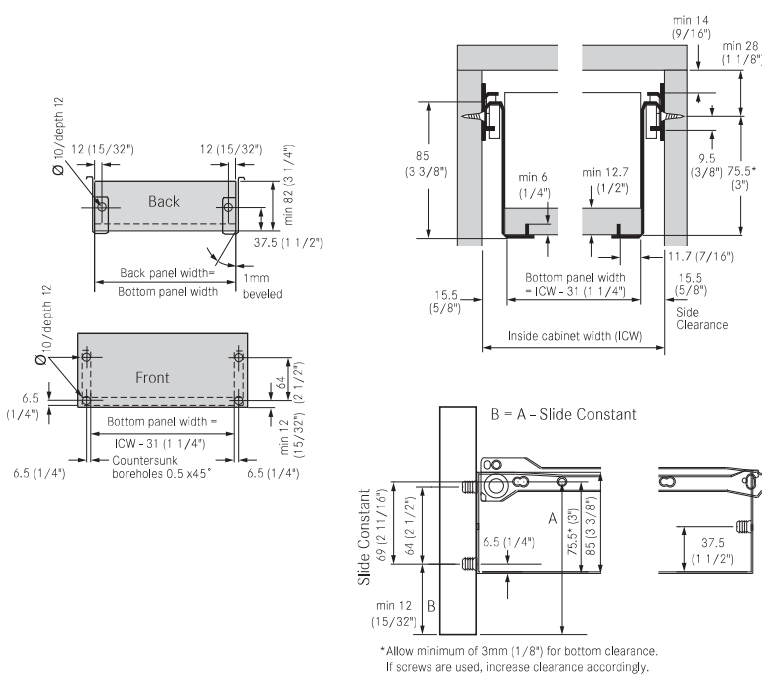
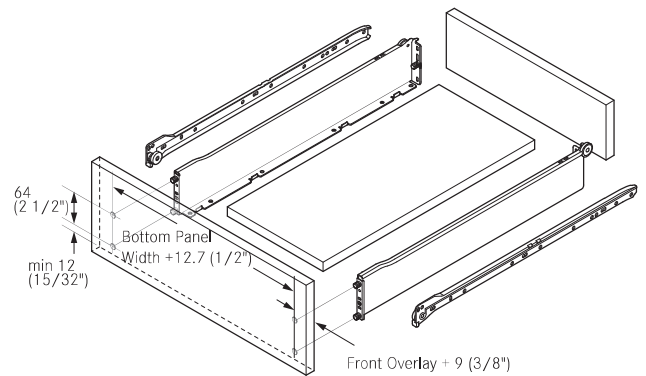


Subject to technical modifications without notice

# ZARGEN 6036

## Height 85mm (3 3/8")

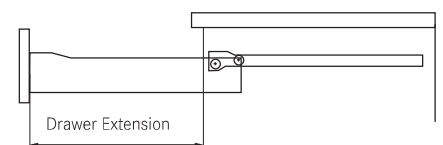
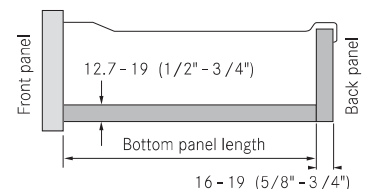
- Integrated drawer slide and drawer side
- Self-close feature with 60mm (2 3/8") closing range
- Built-in drawer front bumpers
- Quick assembly through dowelled and integrated front fixing brackets
- White epoxy finish
- Tolerance adjustment 2mm (3/32")
- Load capacity: 100 lb
- Adjustments: Cam height ( $\pm 2$ mm), side ( $\pm 1.5$ mm)
- Made in the USA



### ORDER INFORMATION

Zargen 6036 - 10 pack	
Slide Length	Item No.
270mm (10 5/8")	25-752
350mm (13 3/4")	25-754
400mm (15 3/4")	25-756
440mm (17 3/8")	25-758
470mm (18 1/2")	25-760
510mm (20 1/16")	25-748
550mm (21 5/8")	25-762

Zargen 6036 - 300 Bulk	
Slide Length	Item No.
510mm (20 1/16")	25-749

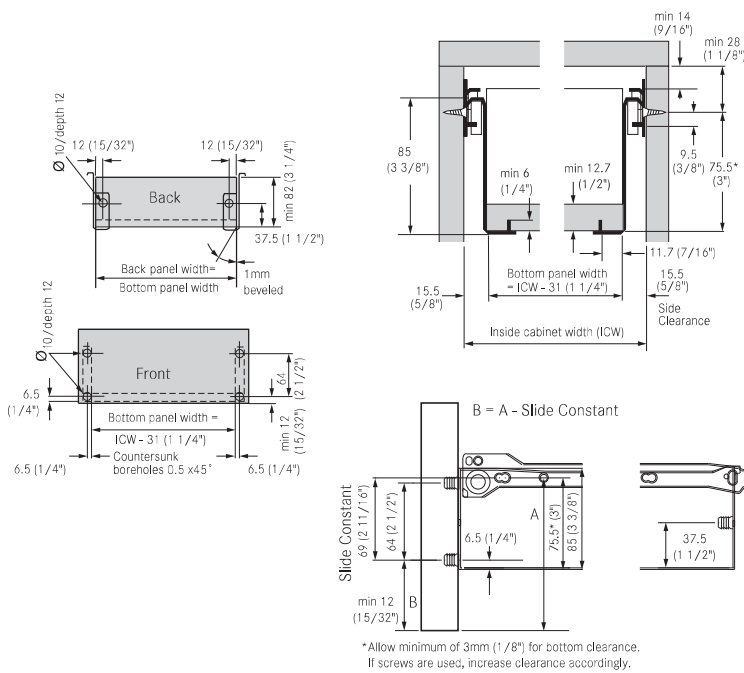
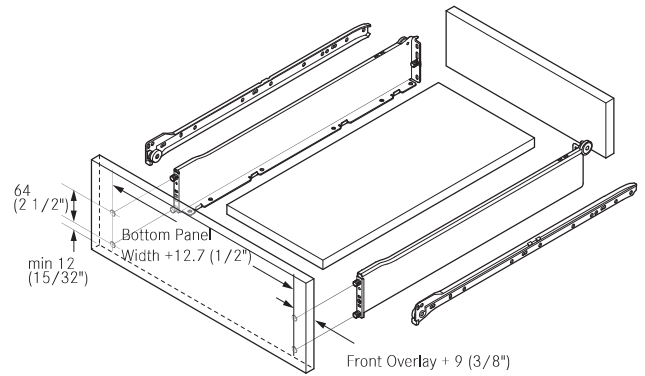


Subject to technical modifications without notice

# ZARGEN 6026

## Height 85mm (3 3/8")

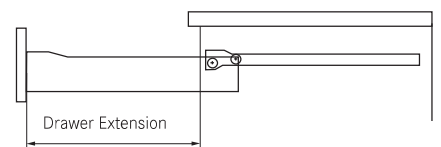
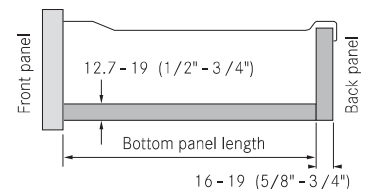
- Integrated drawer slide and drawer side
- Self-close feature with 60mm (2 3/8") closing range
- Built-in drawer front bumpers
- Quick assembly through dowelled and integrated front fixing brackets
- White epoxy finish
- Load capacity: 100 lb
- Made in the USA



### ORDER INFORMATION

Zargen 6026 - 10 pack	
Slide Length	Item No.
350mm (13 3/4")	25-861
400mm (15 3/4")	25-863
470mm (18 1/2")	25-866
510mm (20 1/16")	25-751
550mm (21 5/8")	25-868

Zargen 6026 - 400/300* Bulk	
Slide Length	Item No.
470mm (18 1/2")	25-954
510mm (20 1/16")	25-747
550mm (21 5/8")*	25-864



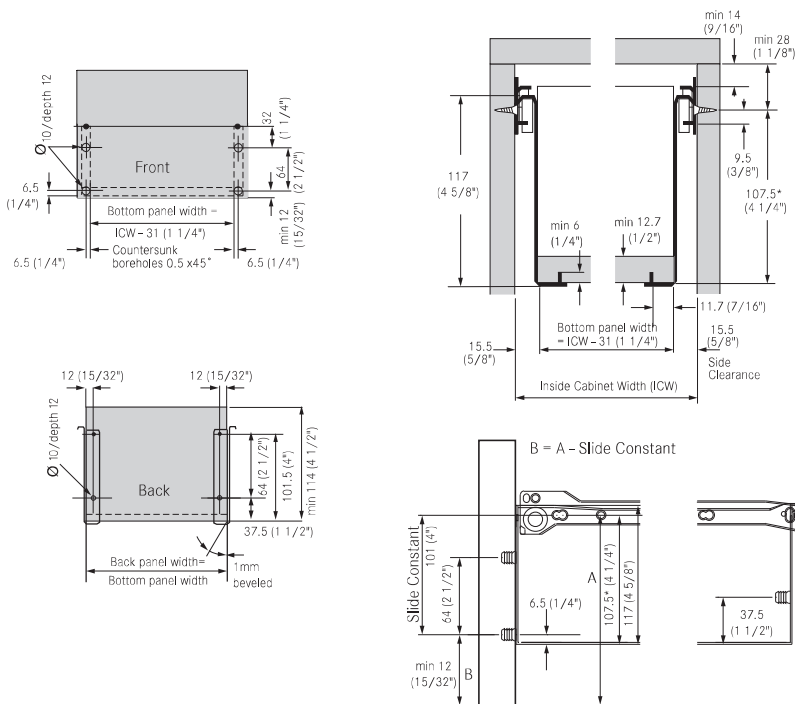
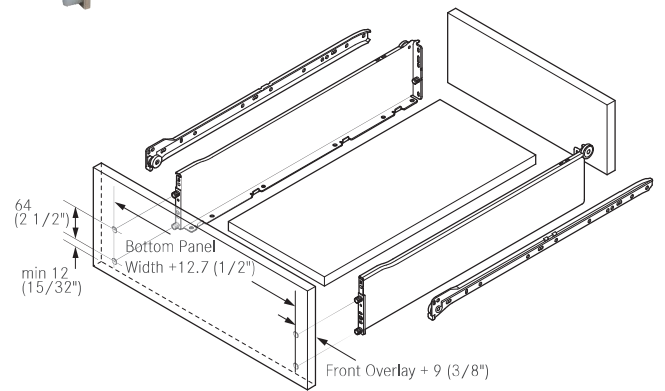
Subject to technical modifications without notice



# ZARGEN 6136

## Height 117mm (4 5/8")

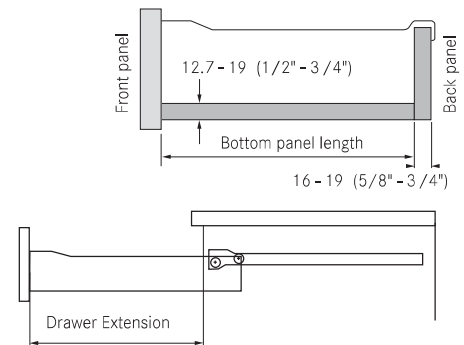
- Integrated drawer slide and drawer side
- Self-close feature with 60mm (2 3/8") closing range
- Built-in drawer front bumpers
- Quick assembly through dowelled and integrated front fixing brackets
- White epoxy finish
- Tolerance adjustment 2mm (3/32")
- Load capacity: 100 lb
- Adjustments: Cam height ( $\pm 2\text{mm}$ ), side ( $\pm 1.5\text{mm}$ )
- Made in the USA
- Additional lengths available by special order



\*Allow minimum of 3mm (1/8") for bottom clearance. If screws are used, increase clearance accordingly.

### ORDER INFORMATION

Zargen 6136 - 5 pack	
Slide Length	Item No.
510mm (20 1/16")	25-779
550mm (21 5/8")	25-778

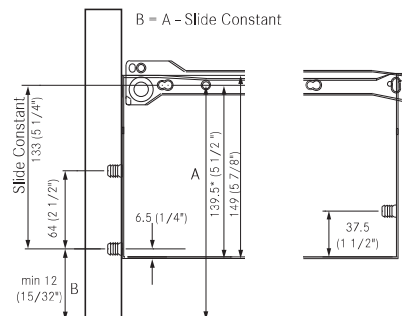
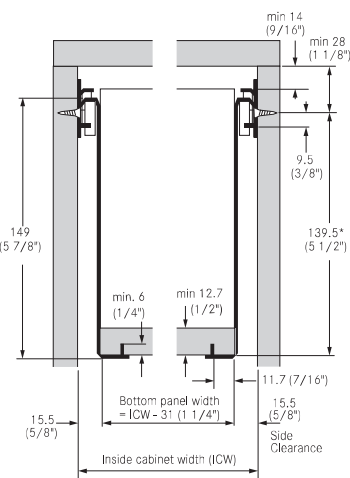
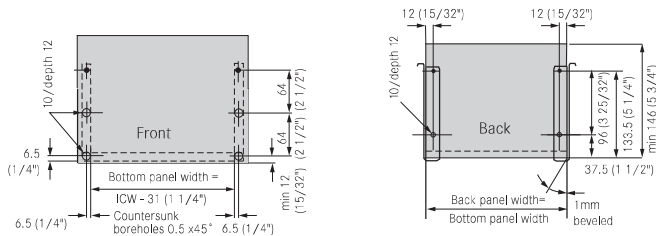
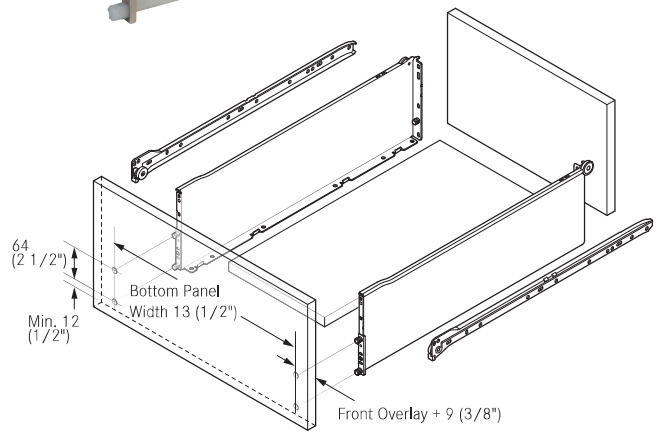


Subject to technical modifications without notice

# ZARGEN 6236

## Height 149mm (5 7/8")

- Integrated drawer slide and drawer side
- Self-close feature with 60mm (2 3/8") closing range
- Built-in drawer front bumpers
- Quick assembly through dowelled and integrated front fixing brackets
- White epoxy finish
- Tolerance adjustment 2mm (3/32")
- Load capacity: 100 lb
- Adjustments: Cam height (± 2mm), side (± 1.5mm)
- Made in the USA

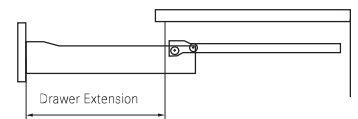
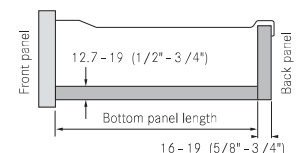


\*Allow minimum of 3mm (1/8") for bottom clearance.  
If screws are used, increase clearance accordingly.

### ORDER INFORMATION

Zargen 6236 - 5 pack	
Slide Length	Item No.
350mm (13 3/4")	25-787
400mm (15 3/4")	25-847
440mm (17 3/8")	25-848
470mm (18 1/2")	25-880
510mm (20 1/16")	25-780
550mm (21 5/8")	25-862

Zargen 6236 - 200 bulk	
Slide Length	Item No.
350mm (13 3/4")	25-843
400mm (15 3/4")	25-845
470mm (18 1/2")	25-882
510mm (20 1/16")	25-849

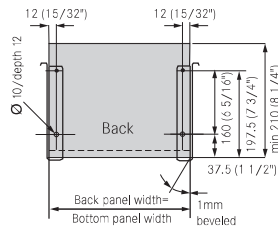
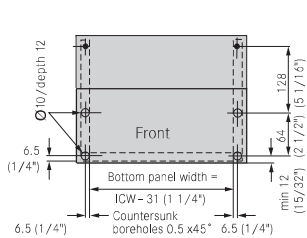
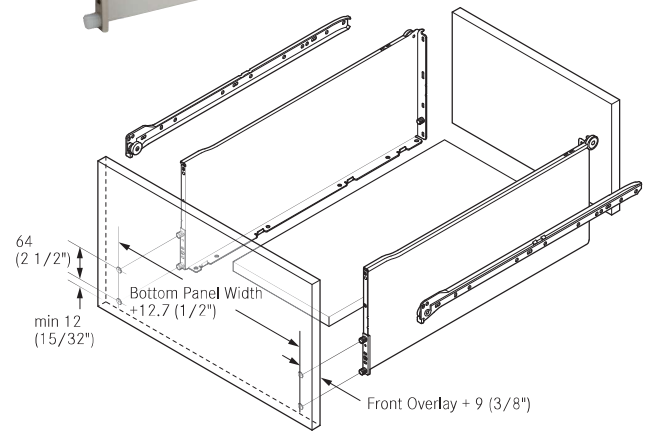


Subject to technical modifications without notice

# ZARGEN 6436

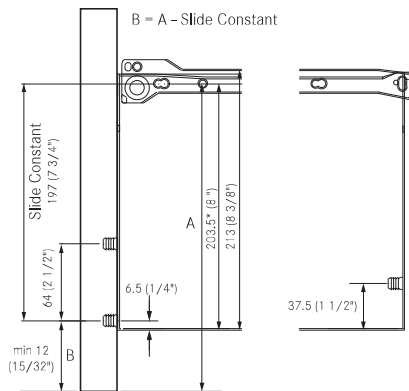
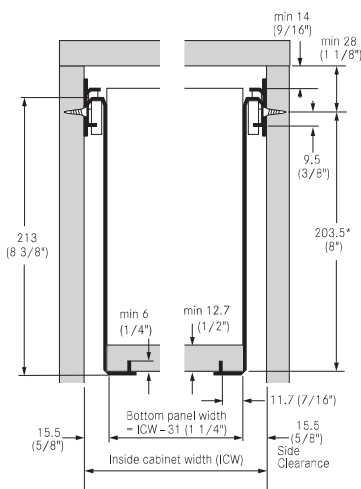
## Height 213mm (8 3/8")

- Integrated drawer slide and drawer side
- Self-close feature with 60mm (2 3/8") closing range
- Built-in drawer front bumpers
- Quick assembly through dowelled and integrated front fixing brackets
- White epoxy finish
- Tolerance adjustment 2mm (3/32")
- Load capacity: 100 lb
- Adjustments: Cam height ( $\pm 2$ mm), side ( $\pm 1.5$ mm)
- Made in the USA

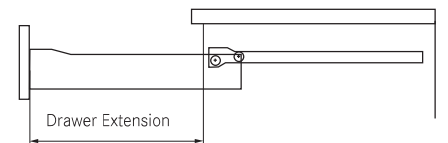
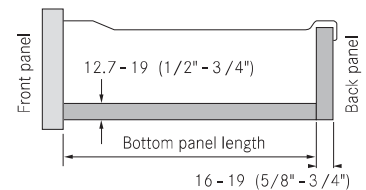


### ORDER INFORMATION

Zargen 6436 - 5 pack	
Slide Length	Item No.
350mm (13 3/4")	25-789
400mm (15 3/4")	25-791
470mm (18 1/2")	25-828
510mm (20 1/16")	25-781
550mm (21 5/8")	25-830



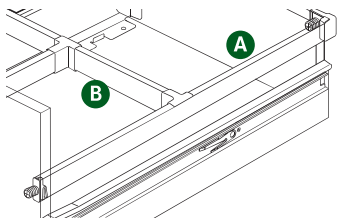
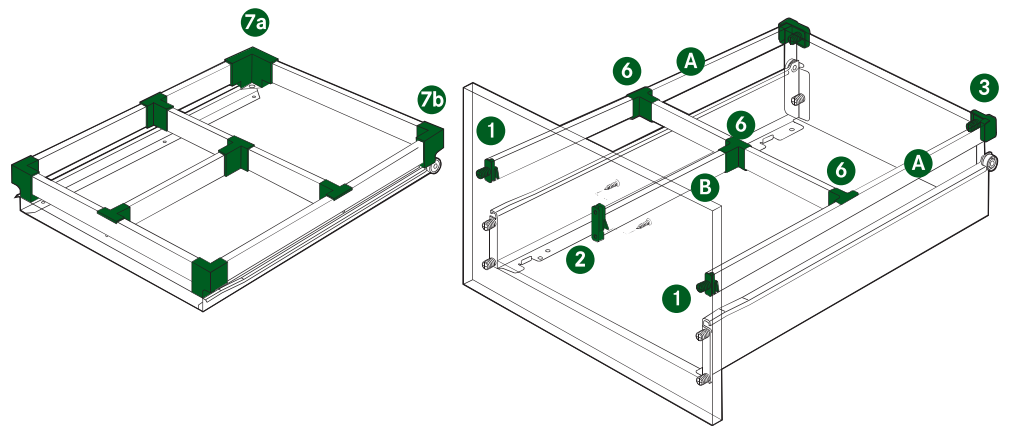
\*Allow minimum of 3mm (1/8") for bottom clearance. If screws are used, increase clearance accordingly.



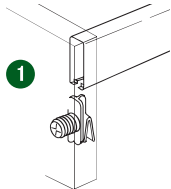
Subject to technical modifications without notice

# 6100 RAILING SYSTEM

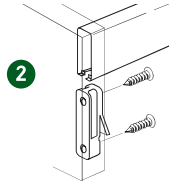
- Designed for use with Systems 66 10, 6035, 6036, 6026, 6136, 6236, and 6436
- Easy to construct
- Allows end user to customize storage space
- Includes convenient rail dividers
- Available in white



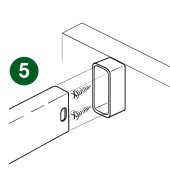
Front railing clip Dowelled



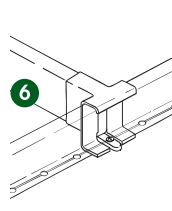
Front partition clip Screw-on



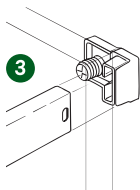
Back partition clip Screw-on



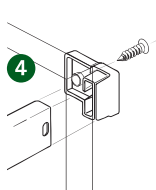
Divider railing clip



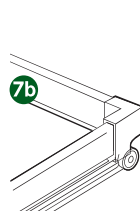
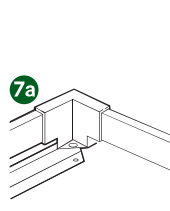
Back railing clip Dowelled



Back railing clip Screw-on



Corner Bracket



## ORDER INFORMATION

Zargen Side Railing		
	Nominal Length	Item No.
A	6100-02 Side Railing 345 (13 9/16")	25-698
	6100-02 Side Railing 395 (15 9/16")	25-714
	6100-02 Side Railing 465 (18 5/16")	25-718
	6100-02 Side Railing 505 (20")	25-720
	6100-02 Side Railing 545 (21 3/8")	25-722

Zargen Divider Railing		
	Nominal Length	Item No.
B	1000 (39 3/8" - Cut to Length)	25-726

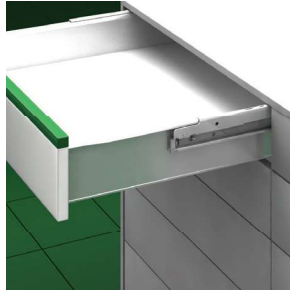
Zargen Clips and Brackets		
	Clips and Brackets	Item No.
1	6150-01 Front railing clip, dowelled	25-728
2	6150-HF Front partition clip, 4.2mm screw-on	25-810
3	6150-02 Back railing clip, dowelled	25-746
4	6150-03 Back railing clip, 4.2mm screw-on	25-730
5	6150-20 Back partition clip, 4.2mm screw-on	25-812
6	6180-01 Divider railing clip	25-732
7a	6190-01 Corner bracket, LH	25-734
7b	6190-01 Corner bracket, RH	25-736

Subject to technical modifications without notice

# ZARGEN 6200

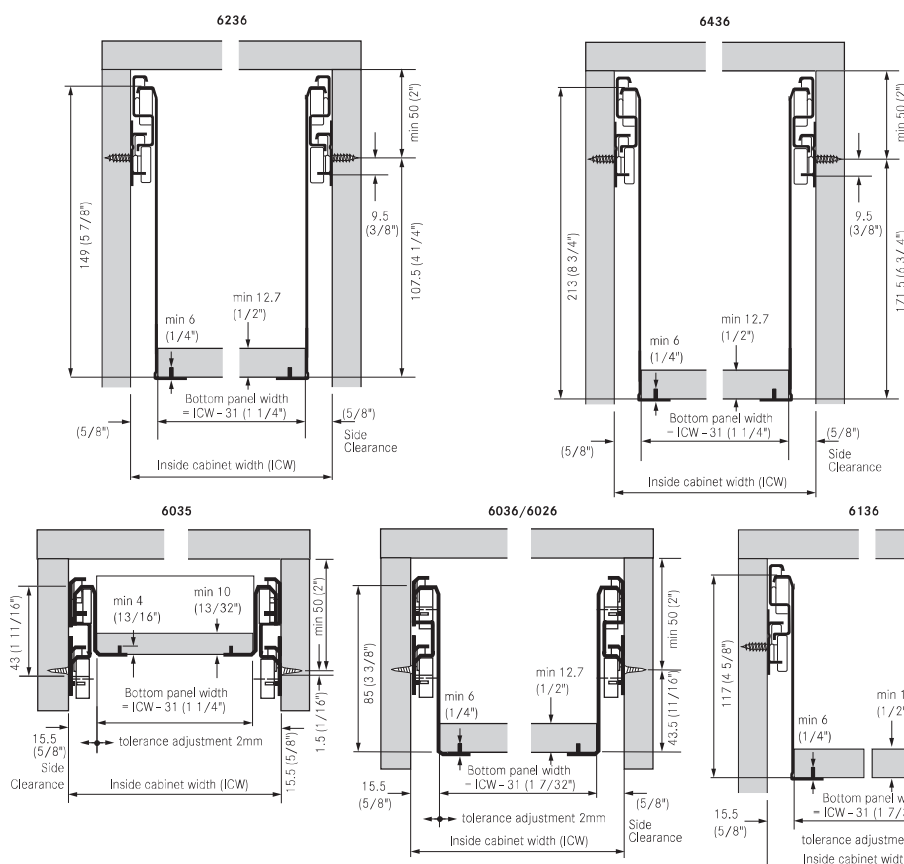
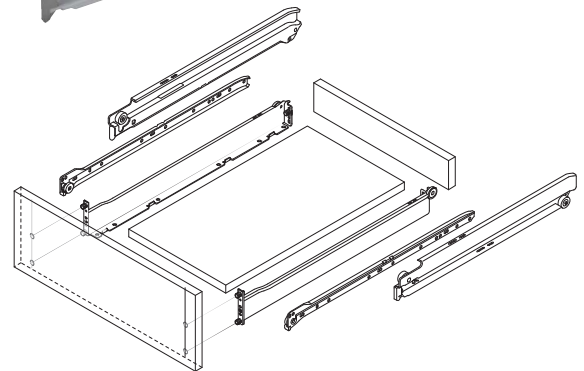
## Full Extension Member

- Designed for use with Systems 6035, 6036, 6026, 6136, 6236, and 6436
- Provides full extension of drawers, pull-outs or shelves
- Inserts easily between the cabinet and drawer members
- Available in white epoxy finish
- Made in the USA



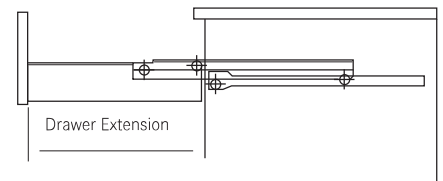
### 6200 Member Installation

1. Attach spare guide clip to left cabinet member to prevent full extension member from slipping.
2. Mount cabinet member of the drawer slide (System 6035, 6026, 6036, 6136, 6236 or 6436) according to installation measurements.
3. Install full extension slide member by simple insertion.
4. Insert drawer, pull-out or shelf.



### ORDER INFORMATION

Zargen 6200	
Slide Length	Item No.
270mm (10 5/8")	25-764
350mm (13 3/4")	25-766
400mm (15 3/4")	25-768
440mm (17 3/8")	25-770
470mm (18 1/2")	25-772
510mm (20 1/16")	25-774
550mm (21 5/8")	25-776

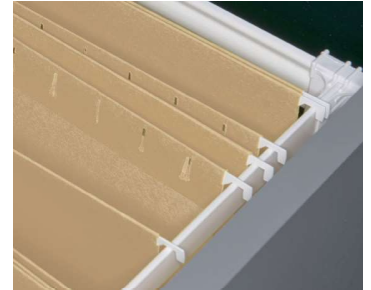
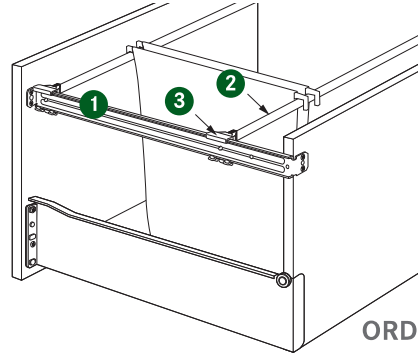
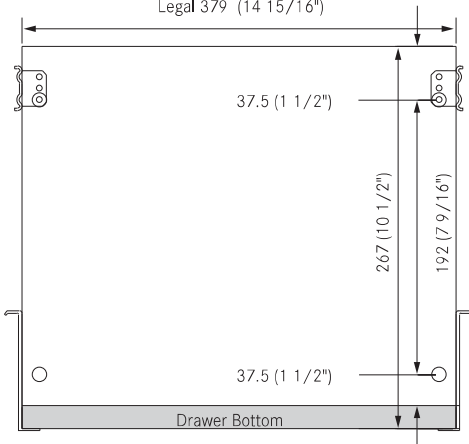




# PENDAFLEX FILE RAILING SYSTEM

- Designed for use with metal drawer system or wood drawer application
- File bar accommodates lateral file application
- Easy to construct
- Available in white finish

Letter 303 (11 15/16")  
Legal 379 (14 15/16")



## ORDER INFORMATION

Pendaflex File Railing System	
Rail Length	Item No.
1 Side Rail for 470 (18 1/2")	25-852
Side Rail for 510 (20 1/16")	25-854
Side Rail for 550 (21 5/8")	25-856

Pendaflex File Railing System	
	Item No.
2 File Bar	25-858

Pendaflex File Railing System	
	Item No.
3 Lateral File Clip	25-860

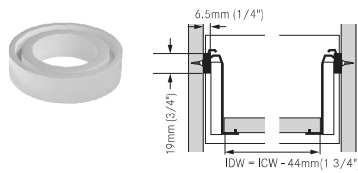
## 6036 Support Bracket

- Attaches to the center of wide drawers for support.
- Elongated holes for drawer front adjustments.



	Item No.
6036 Bracket	25-742

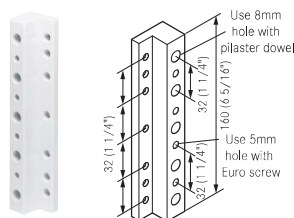
## 6036 Spacer for Inset Drawers



	Item No.
6036 Spacer	25-826

## Pilaster Mounting Bracket

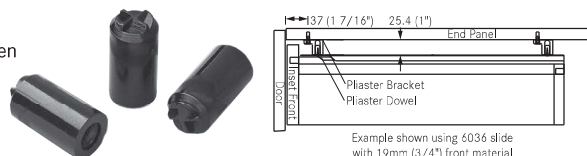
- Fits over 32mm line boring patterns
- Attaches to cabinet with Euro or wood screws
- Allows use of pilaster dowel on cabinet member for an adjustable roll out shelf.
- Allows roll out shelves to be adjustable in 32mm increments



	Item No.
Pilaster Bracket	25-820

## Pilaster Dowels

- Allows for construction of adjustable pull-outs with any Zargen
- Drawer Slide System when attached to cabinet member
- Dowel requires an 8mm x 5/8" deep hole
- Attaches with a #6 x 5/8" or #6 x 1/2" FHP screw



	Item No.
Pilaster Dowels	25-822

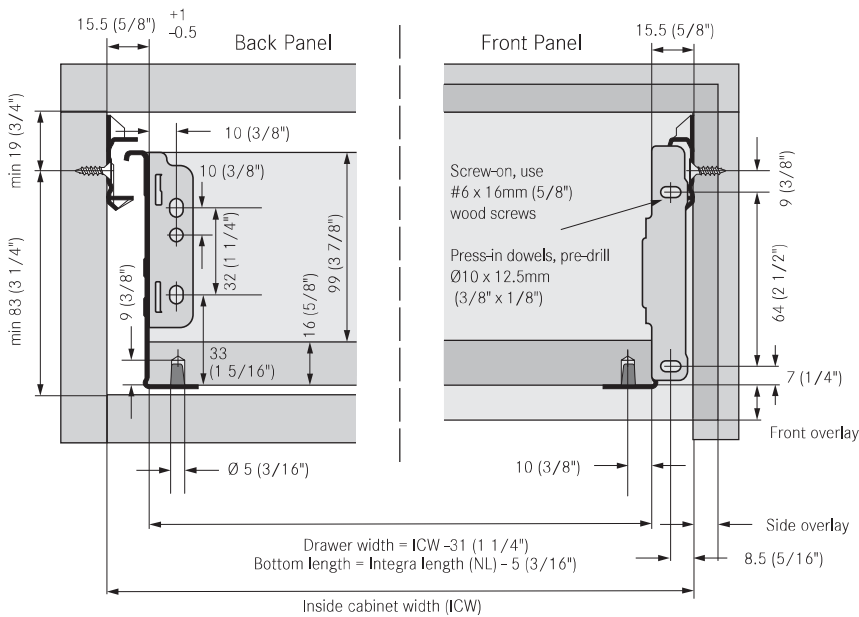
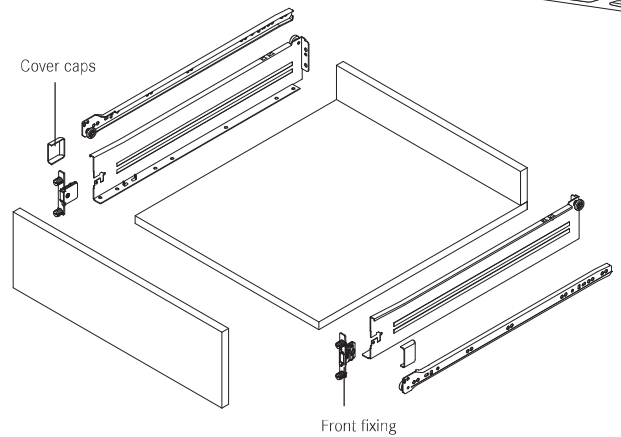
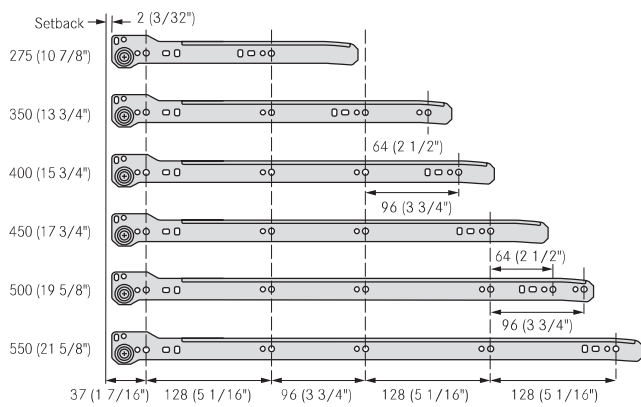
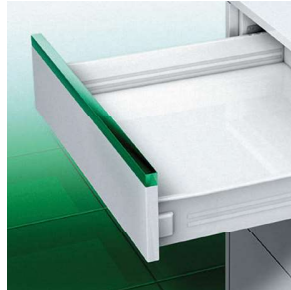
Example shown using 6036 slide with 19mm (3/4") front material

Subject to technical modifications without notice

# INTEGRA QUICK

## Height 85mm (3 7/8")

- Metal drawer system
- White baked on epoxy finish
- Single extension, height 85mm (3 3/8")
- Load capacity: 100 lb dynamic
- Installation width 15.5mm (5/8")
- Snap-on bottom mounting



### ORDER INFORMATION

Integra Quick	
Nominal Length	Item No.
350mm (14")	26-431
400mm (16")	26-433
450mm (18")	26-435
500mm (20")	26-437
550mm (22")	26-439

Cover Caps	
Quantity	Item No.
20 pieces	26-399

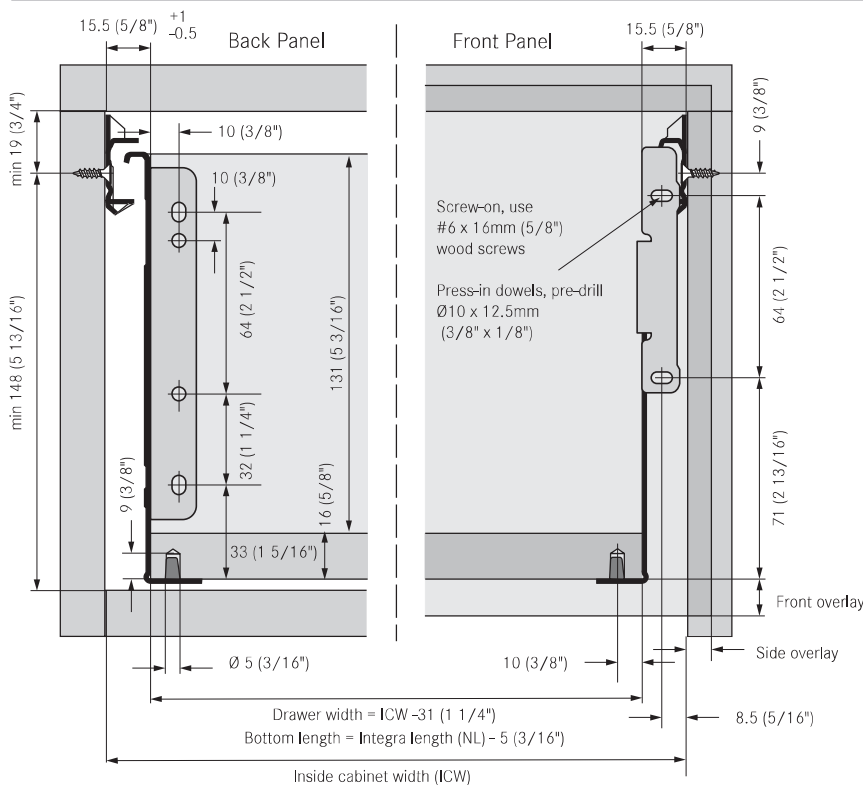
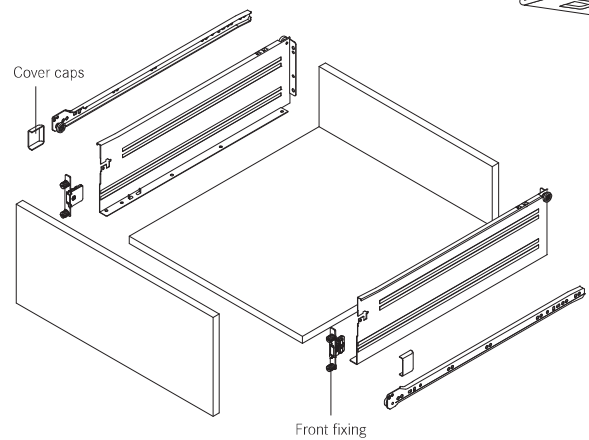
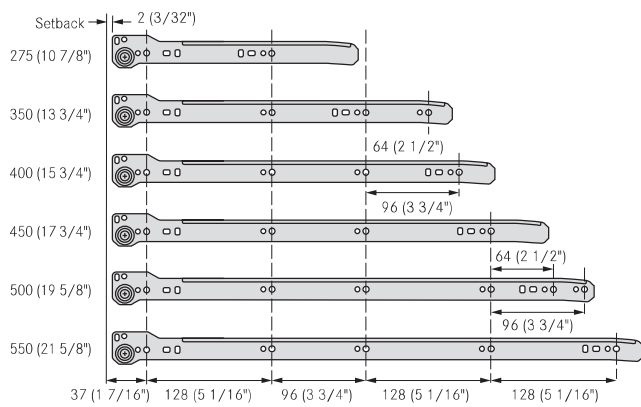
Front Fixing Click-on	
Description	Item No.
Screw-on Left	26-405
Screw-on Right	26-407
Press-in Dowels Left	26-401
Press-in Dowels Right	26-403

Interior Drawer Brackets	
Description	Item No.
Set 85mm	26-139

# INTEGRA QUICK

## Height 149mm (5 7/8")

- Metal drawer system
- White baked on epoxy finish
- Single extension, height 149mm (5 3/8")
- Load capacity: 100 lb dynamic
- Installation width 15.5mm (5/8")
- Snap-on bottom mounting



### ORDER INFORMATION

Integra Quick	
Nominal Length	Item No.
350mm (14")	26-455
400mm (16")	26-457
450mm (18")	26-459
500mm (20")	26-461
550mm (22")	26-463

Cover Caps	
Quantity	Item No.
20 pieces	26-399

Front Fixing Click-on	
Description	Item No.
Screw-on Left	26-405
Screw-on Right	26-407
Press-in Dowels Left	26-401
Press-in Dowels Right	26-403

Subject to technical modifications without notice

# INTEGRA

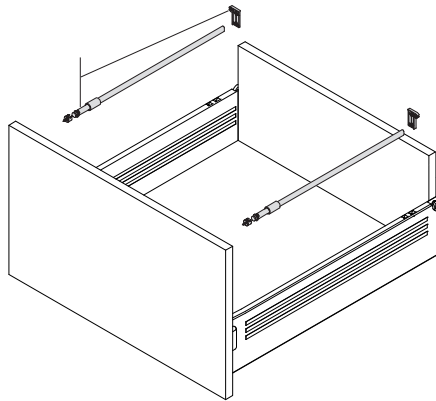
## Adjustable Gallery Rail

- For Integra drawers with tall fronts and tall wooden drawer backs
- Color: white



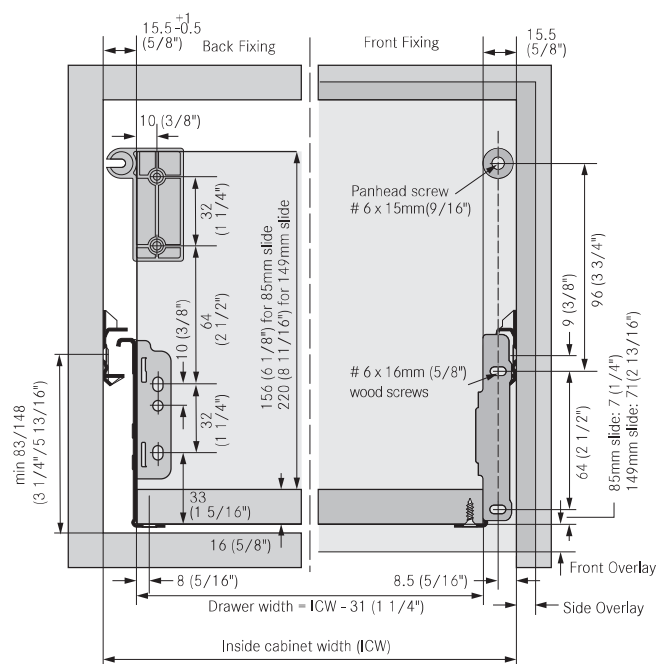
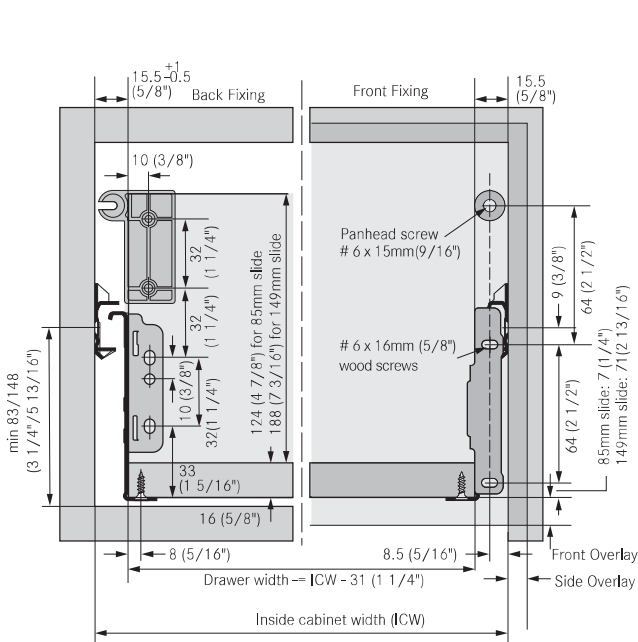
### File Railing set consists of:

- 2 Side gallery rails
- 2 Front fixing parts
- 2 Back fixing parts
- 2 Cover caps



### ORDER INFORMATION

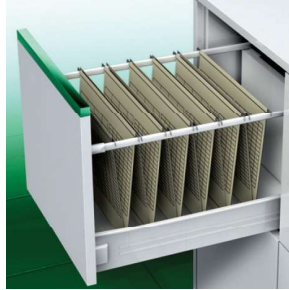
Gallery Rail	
Rail Length	Item No.
500mm (20")	26-171
550mm (22")	26-173



# INTEGRA

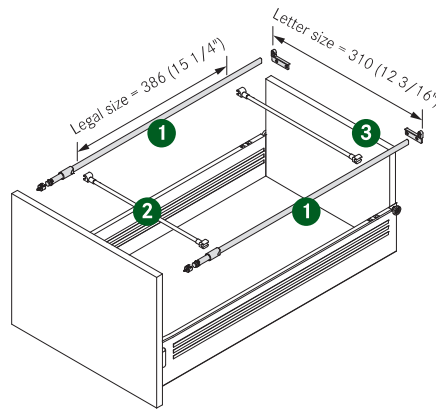
## Aluminum File Rail

- Keep hanging files organized
- Install file railing system independent from drawer system
- Front tilt adjustment



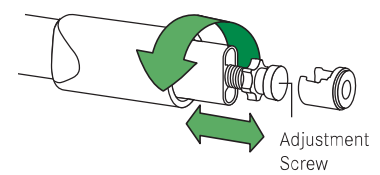
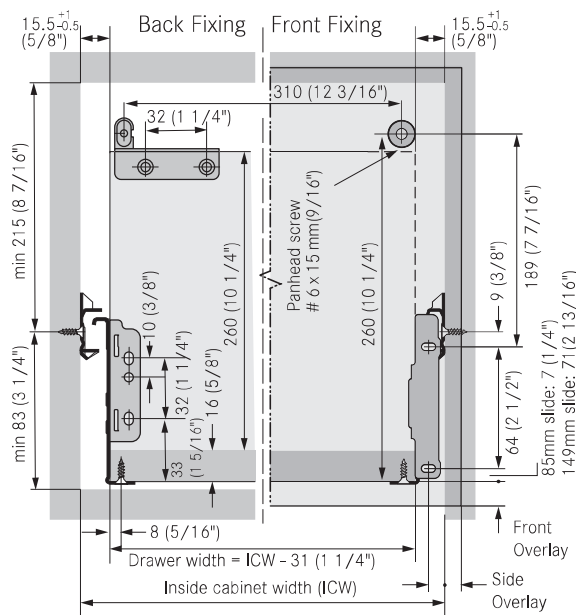
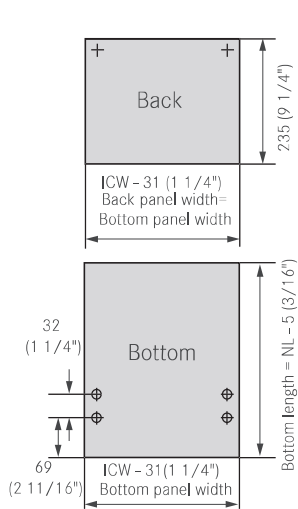
### File Railing set consists of:

- 2 Side gallery rails
- 2 Front fixing parts
- 2 Back fixing parts
- 2 Cover caps



### ORDER INFORMATION

1	<b>File Railing</b>	
	<b>Rail Length</b>	<b>Item No.</b>
	500mm (20")	26-175
	550mm (22")	26-177
2	<b>Divider Rail</b>	
	<b>Discription</b>	<b>Item No.</b>
	Divider Rail 1200mm (14 1/4")	26-179
3	<b>Divider Clip</b>	
	<b>Quantity</b>	<b>Item No.</b>
	20 pieces	26-181



**Adjustment screw is accessible by sliding rail cover forward.**



# SUSPENSION SYSTEM

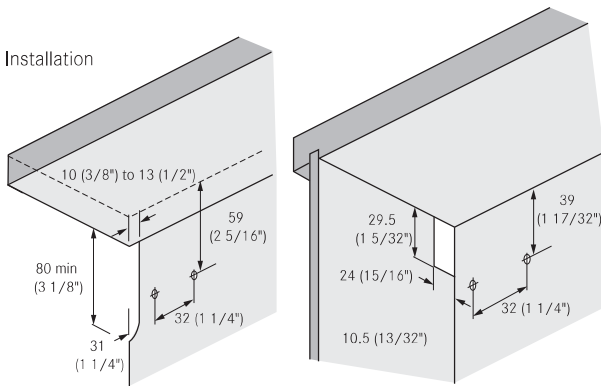
## Brackets, Rail & Covers

- All steel suspension system
- Carrying capacity - 286 lb
- Plastic covers available
- Precision height, depth, and side adjustments for brackets
- Self-centering suspension rail - 16" center to center

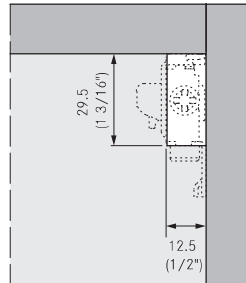


Cover cap conceals bracket

Installation

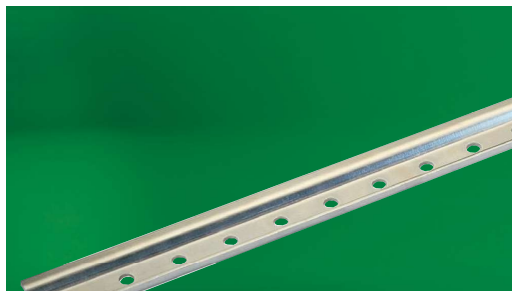


Adjustment



### ORDER INFORMATION

Suspension Bracket	Color	Item No.	
		Left	Right
Bracket	Steel	19-212	19-214
Bracket with cover cap	White	19-211	19-215

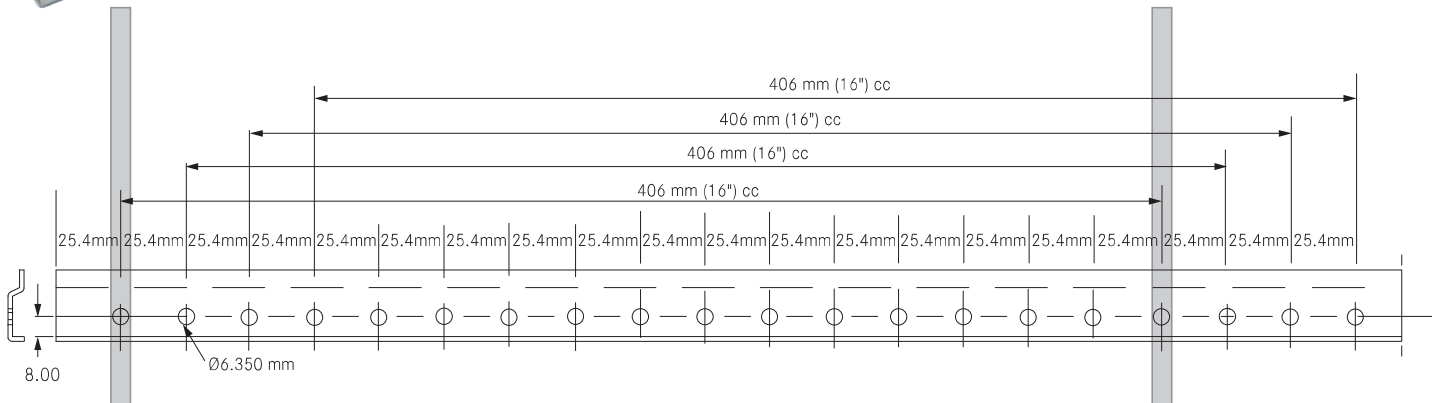


White Almond

### ORDER INFORMATION

Suspension Rail		
Description	Length	Item No.
Steel Rail	8'	19-210

Rail Cover		
Description	Length	Item No.
Almond Cover	8'	19-219
White Cover	8'	19-217



# GRASS KINVARO L-80 Parallel lifter

- Holds flap securely in any position
- Extremely smooth movement
- Adjustable spring force
- Integrated adjustable closing damper
- Flap 3-dimensionally adjustable – height, side, angle:  
Direct adjustment ± 1.5mm
- Allows the use of cornices, pelmets, and attached lights
- Wide range of applications for many different flap materials
- Fast, tool-free clip fitting of the front
- Pre-assembled Euro screws and positioning pins for easy mounting of the fitting to the side wall
- Extremely strong
- Weight 4 to 32 lb (1.9 to 14.6 kg)
- Range of flaps:  
Width: 17 23/32" - 47 1/4" (450 - 1200mm)  
Height: 16 19/16" - 23 5/8" (430 - 600mm)
- Cover caps in grey

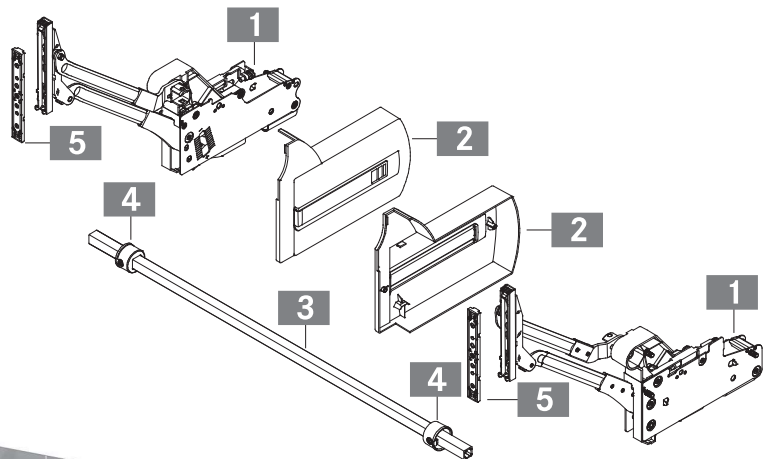


## ORDER INFORMATION

Kinvaro L-80 set		
Cabinet height	Spring B	PU
430 – 600	15-175	1

**Kinvaro L-80 set** comprises:

- 1** Fitting, right and left (1x)
  - 2** Cover caps on right and left (1x)
  - 3** 1090mm cross bar for cutting to length (1x)
  - 4** Sliding sleeves (2x)
  - 5** Mounting plates (2x)
- Paper template (1x), Installation instructions (1x)



**WARNING**

**Important!**  
Caution - risk of injury! Fitting is spring-tensioned!



**Optional Acrylic Template**

## ORDER INFORMATION

Kinvaro Drilling Jig		
Description	Item No.	PU
L-80	Call for order#	1

Subject to technical modifications without notice

# GRASS KINVARO T-65 Lift-up Flap Fitting

- Variable opening angle - holds flap securely at any angle between 45° and 100°
- Extremely comfortable opening due to spring-supported opening mechanism
- Adjustable spring force
- Integrated adjustable closing damper
- Adjustable flap height ±3.0mm
- No hinges fitted to the top panel
- Allows additional cabinet installation above
- Weight 1.5 to 16.3 lb (0.7 to 7.4 kg)
- Range of flaps:  
Width: up to 47 1/4" (up to 1200mm)  
Height: 9 27/32" - 23 5/8" (250 - 600mm)
- Cover caps in grey

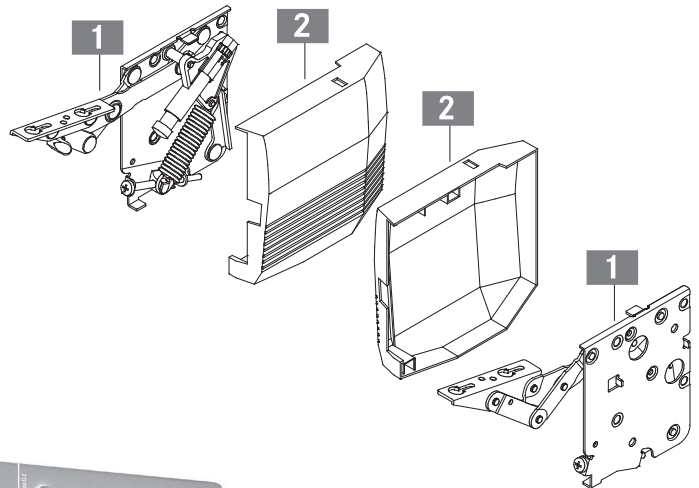


## ORDER INFORMATION

Kinvaro T-65 set		
Black/Yellow Springs	Cover Cap Grey	PU
Wood Version	15-174	1

Kinvaro T-65 set comprises:

- 1 Fitting on the right without and on the left with damper (1x)
  - 2 Cover caps on right and left (1x)
- Springs, yellow, loose (2x)  
Paper template (1x)  
Installation instructions (1x)



**WARNING**

**Important!**  
Caution - risk of injury! Fitting is spring-tensioned!



Optional Acrylic Template

## ORDER INFORMATION

Kinvaro Drilling Jig		
Description	Item No.	PU
T-65	Call for order#	1

**HARDWARE**  
**Imagination-Tech**  
**1Source**

Miami  
4300 NW 37th Ave.  
Miami, FL 33142  
305-635-3300

Pompano Beach  
1040 SW 10th Ave  
Pompano Beach FL 33069  
954-581-0444

Roanoke, VA  
3330 Hollins Rd NE  
Unit F  
Roanoke, VA 24012  
540-986-2200

Sarasota  
1575 Cattlemen Rd  
Sarasota, FL 34232  
941-371-5238

Tampa  
5012 West Knollwood St.  
Tampa, FL 33634  
813-882-0322

Orlando  
1264 La Quinta  
Orlando, FL 32809  
407-855-2282

West Palm  
2250 Australian Ave.  
Riviera Beach, FL 33404  
561-844-2277

Thomasville, NC  
4850 McWay Court  
Thomasville, NC 27360  
(336) 476-0200

Raleigh, NC  
1900 Garner Station Blvd.  
Raleigh, NC 27603  
(919) 424-7481

Gastonia, NC  
1441 Castle Court - SB 1442  
Gastonia, NC 28052  
(704) 917-0490

[www.hardwareimagination-tech.com](http://www.hardwareimagination-tech.com)

**G\*GRASS®**