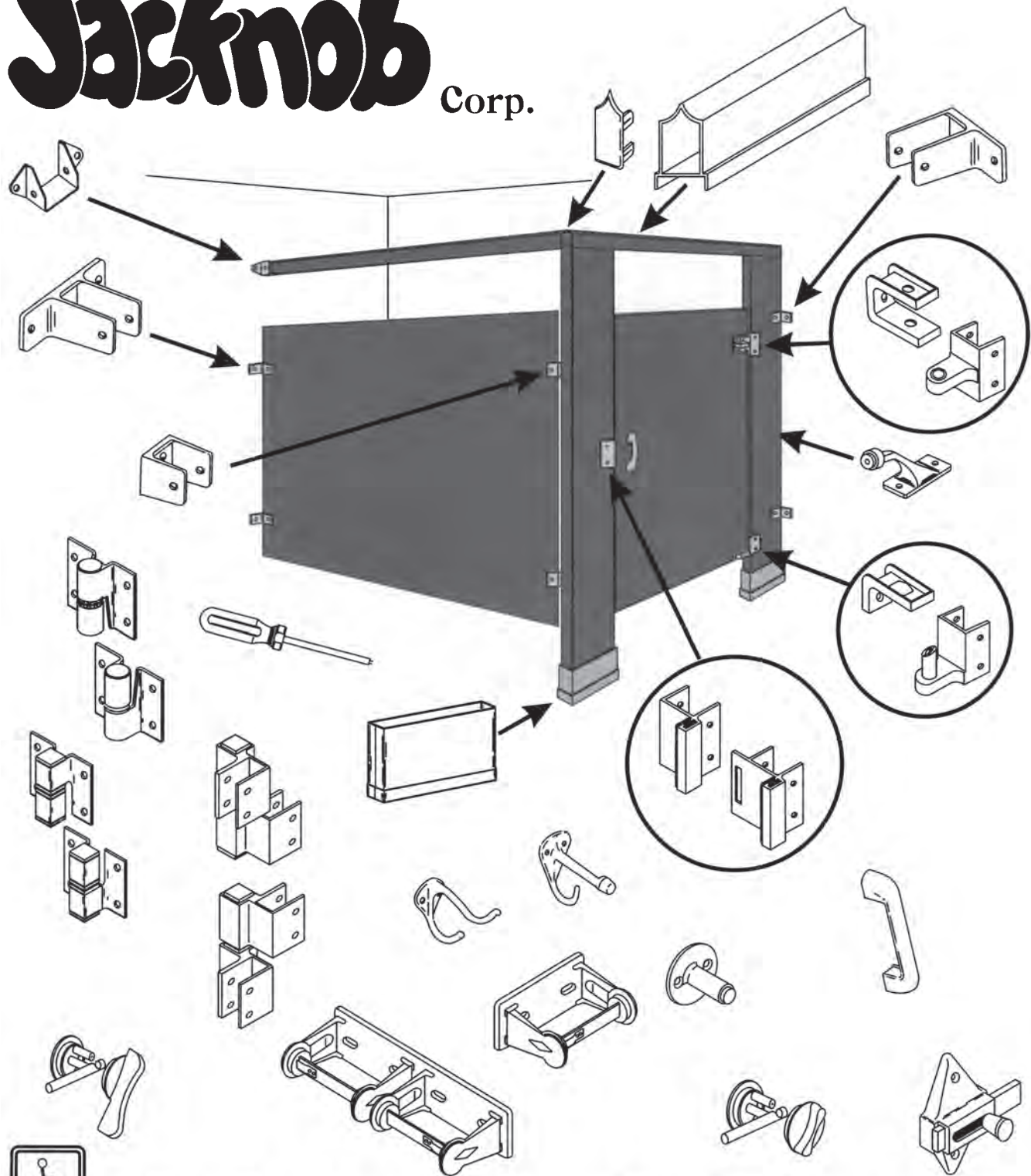


Bi-Fold Door Hardware

Toilet Partition Hardware

Jacknob[®] Corp.



Kitchens

Doors

Kitchen
Accessories

Hinges

Drawer
Slides

Plywood
Melamine

Veneer
Edgebanding

Laminate

Solid
Surface

Closets

Furniture
Hardware

Pulls
&
Knobs

Lighting

Grommets

Locks,
Lock
Systems

Molding,
Carvings

Tools

Adhesives
Solvents
Abrasives

Chemicals
Staples
Screws



The Hardware Makes The Difference

Bi-Fold Door Hardware

Toilet Partition Hardware



Kitchens

Doors

Kitchen Accessories

Hinges

Drawer Slides

Plywood Melamine

Veneer Edgebanding

Laminate

Solid Surface

Closets

Furniture Hardware

Pulls & Knobs

Lighting

Grommets

Locks, Lock Systems

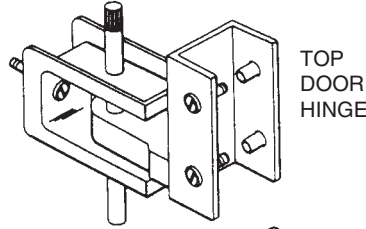
Molding, Carvings

Tools

Adhesives Solvents Abrasives

Chemicals Staples Screws

In-Swing Hardware

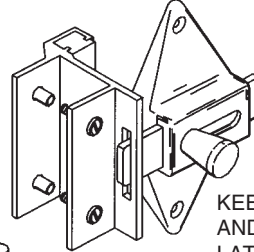


TOP DOOR HINGE

7/8" In-swing door pak. for doors 7/8" thick & pilasters 1-1/4" thick

ORDER NUMBER

29-102

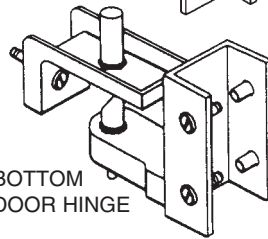


KEEPER AND SLIDE LATCH

1" In-swing door pak. for doors 1" thick & pilasters 1-1/4" thick

ORDER NUMBER

29-106

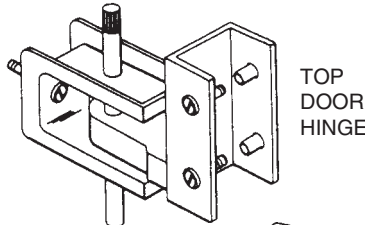


BOTTOM DOOR HINGE



Packaged with all necessary hardware and screws to install one door.

Out-Swing Hardware

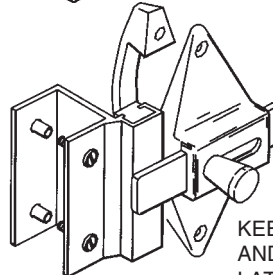


TOP DOOR HINGE

7/8" Out-swing door pak. for doors 7/8" thick & pilasters 1-1/4" thick

ORDER NUMBER

29-104

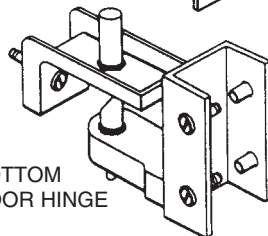


KEEPER AND SLIDE LATCH

1" Out-swing door pak. for doors 1" thick & pilasters 1-1/4" thick

ORDER NUMBER

29-108



BOTTOM DOOR HINGE



Packaged with all necessary hardware and screws to install one door.

Bi-Fold Door Hardware



Toilet Partition Hardware

Kitchens

1-1/4" Pilaster Pak



Wall brackets for pilaster to wall

ORDER NUMBER
29-110

ALL SCREWS & ANCHORS INCLUDED

7/8" Urinal Screen Pak



Any size

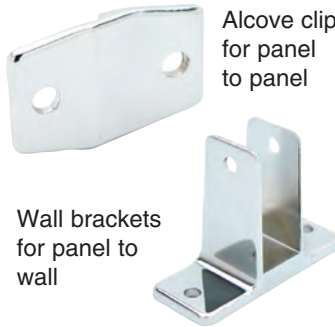
ORDER NUMBER

29-116
Wall brackets

ORDER NUMBER
29-118

ALL SCREWS & ANCHORS INCLUDED

7/8" Alcove Pak



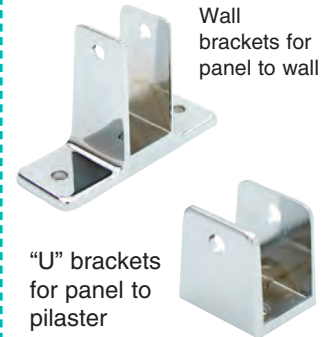
Alcove clip for panel to panel

Wall brackets for panel to wall

ORDER NUMBER
29-114

ALL SCREWS & ANCHORS INCLUDED

7/8" Panel Pak



Wall brackets for panel to wall

"U" brackets for panel to pilaster

ORDER NUMBER
29-112

ALL SCREWS & ANCHORS INCLUDED

Doors

Kitchen Accessories

Hinges

Drawer Slides

Plywood Melamine

Veneer Edgebanding

Laminate

Angle Panel Pak



Wall brackets for most panel sizes

ORDER NUMBER
29-120

ALL SCREWS & ANCHORS INCLUDED

Roll Paper Holders



ORDER NUMBER
Single **29-136**

ORDER NUMBER
Double **29-138**

S/S Pilaster Shoe Pak



S/S Shoe pak for standard size pilasters

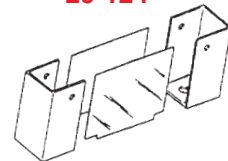
ORDER NUMBER
4".....**29-126**
6".....**29-128**
8".....**29-130**
10".....**29-132**
12".....**29-134**

ALL SCREWS & ANCHORS INCLUDED

ORDER NUMBERS

Shoe Pak
29-122

3" x 10" S/S spacer plate
29-124



S/S Adjustable shoe for odd size pilasters

Solid Surface

Closets

Furniture Hardware

Pulls & Knobs

Lighting

Grommets

Locks, Lock Systems

Molding, Carvings

Tools

Adhesives Solvents Abrasives

Chemicals Staples Screws

Head Rail End Cap



Wall brackets for most panel sizes

ORDER NUMBER
29-172

Head Rail Brackets

Chrome Plated



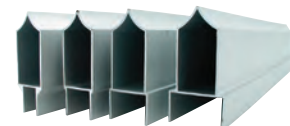
ORDER NUMBER
For 1-1/8" rail.....**29-180**
For 1-3/8" rail.....**29-182**

One-Way Screw Remover

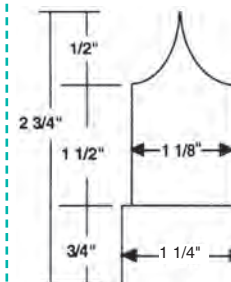


ORDER NUMBER
29-140

Toilet Partition Header Rail



ORDER NUMBER
29-174



LENGTH
10'

Toilet Partition Hardware



New Products

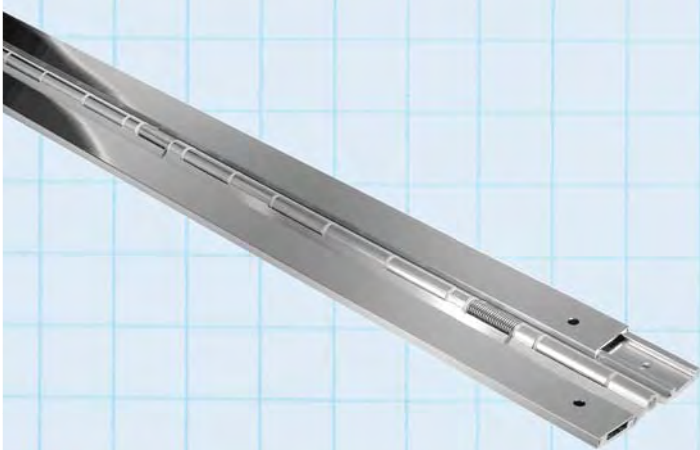
- Kitchens
- Doors
- Kitchen Accessories
- Hinges
- Drawer Slides
- Plywood Melamine
- Veneer Edgebanding
- Laminate
- Solid Surface
- Closets
- Furniture Hardware**
- Pulls & Knobs
- Lighting
- Grommets
- Locks, Lock Systems
- Molding, Carvings
- Tools
- Adhesives Solvents Abrasives
- Chemicals Staples Screws



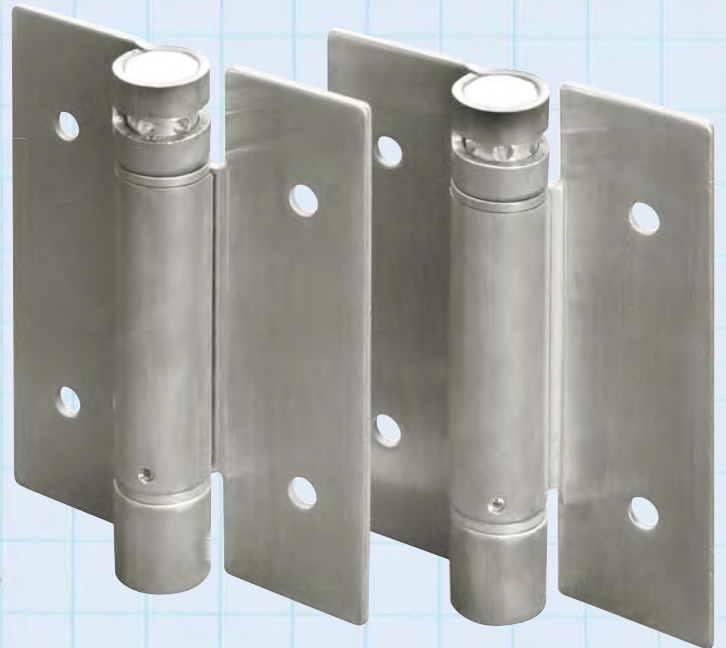
INDICATOR LATCH with KEEPER
 For 1" Thick Doors
 4770 - Brite Chrome Finish
 4778 - Satin Chrome Finish



6983 - SLIDE LATCH
 Heavy Duty Cast Stainless Steel Design
For more details, please see page 18.



8668 - PIANO HINGE ALUMINUM - with COVER
 Self-Closing Spring Design
 54" Long with Brite-Dip Finish



SPRING LOADED SURFACE HINGE
 Heavy Duty Stainless Steel
 Tension Adjustable
 8643 4" High - Polished, 8649 4" High - Satin
 8653 5" High - Polished, 8659 5" High - Satin

Bi-Fold Door Hardware



Toilet Partition Hardware Headrails & Headrail Brackets

Kitchens

Doors

Kitchen
Accessories

Hinges

Drawer
Slides

Plywood
Melamine

Veneer
Edgbanding

Laminate

Solid
Surface

Closets

Furniture
Hardware

Pulls
&
Knobs

Lighting

Grommets

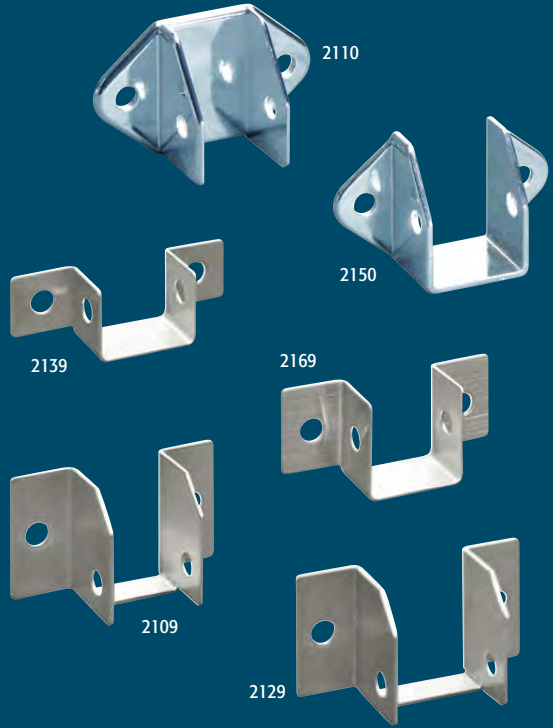
Locks,
Lock
Systems

Molding,
Carvings

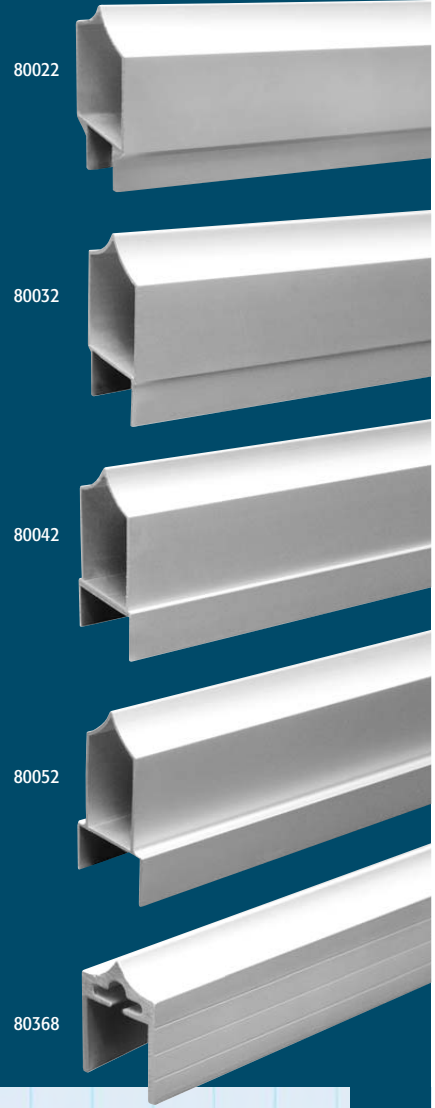
Tools

Adhesives
Solvents
Abrasives

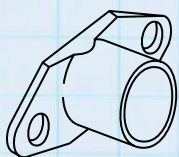
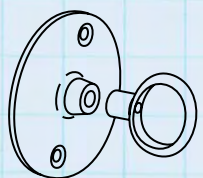
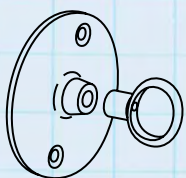
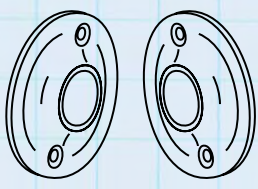
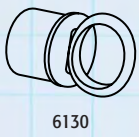
Chemicals
Staples
Screws



POST SIZE	LENGTHS			
	62"	84"	8-1/2'	10'
1/2"			80022	80122
3/4"			80032	80132
1"			80042	80142
1-1/4"			80052	80152
3/4"				80188
1"	80268	80368		80168



POST SIZE	CHROME PLATED ZAMAC	ANODIZED ALUMINUM EXTRUSION	STAMPED STAINLESS STEEL	DESCRIPTION
HEADRAIL CONNECTOR PACKS				
3/4"		15762		Headrail Connector Pack (with Fasteners)
1"		15772		Headrail Connector Pack (with Fasteners)
1-1/4"		15782		Headrail Connector Pack (with Fasteners)
HEADRAIL BRACKETS				
1"	2110			Headrail Bracket (ASP)
1"			2139	Headrail Bracket (Mini)
1"	2150		2169	Headrail Bracket
1-1/4"	2170	2172 *	2179	Headrail Bracket *(Aluminum Painted Zamac)
3/4"			2109	For Headrail with Track
1"			2129	For Headrail with Track
1-1/4"			2579	For Headrail with Track



PAPER ROLL HOLDERS	
CHROME PLATED STEEL	DESCRIPTION
7359	Single Roll Paper Holder
207359	Single Roll (Case of 50)
7369	Double Roll Paper Holder
207369	Double Roll (Case of 25)

CURTAIN ROD FLANGES	
CHROME PLATED STEEL	DESCRIPTION
16120	3/4" Eye Loop Pack (with Fasteners)
16110	1" Eye Loop Pack (with Fasteners)
6220	1" End Flange
16140	1" Rod Holder Set (with Fasteners)
6130	1" Eye Loop (2 pc)

Special Order items

Bi-Fold Door Hardware

Toilet Partition Hardware Surface Mounted Door Packs



All packs are supplied with series #4000 door hooks and mounting hardware.

Kitchens

Doors

Kitchen Accessories

Hinges

Drawer Slides

Plywood Melamine

Veneer Edgbanding

Laminate

Solid Surface

Closets

Furniture Hardware

Pulls & Knobs

Lighting

Grommets

Locks, Lock Systems

Molding, Carvings

Tools

Adhesives Solvents Abrasives

Chemicals Staples Screws



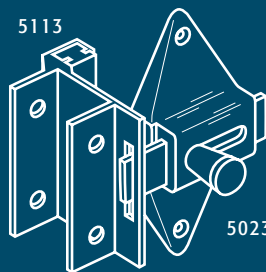
7011



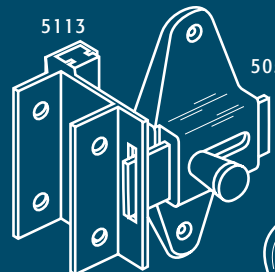
7113



7073



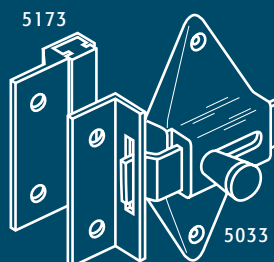
5113



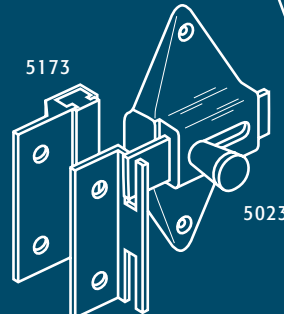
5053



4003



5173



5023

5163

5183



7413



7043

CHROME PLATED ZAMAC				CONTENTS					ALSO AVAILABLE IN	
DOOR SIZE	POST SIZE	PART #	SWING OF DOOR	LATCH	HINGE SET	STRIKE/KEEPER	ONE PC. STRIKE	ONE PC. KEEPER	CHROME PLATED BRASS	POLISHED BRASS
1/2"	1/2"	20510	LH-IN	5030	7021		5170	5160		20512
1/2"	1/2"	20520	RH-IN	5030	7011		5170	5160		
1/2"	3/4"	20410	LH-IN	5020	7021		5170	5160		
1/2"	3/4"	20420	RH-IN	5020	7011		5170	5160		
3/4"	3/4"	20450	LH-IN	5030	7021		5170	5160	20451	20452
3/4"	3/4"	20460	RH-IN	5030	7011		5170	5160	20461	20462
3/4"	1"	20550	LH-IN	5020	7021		5170	5160	20551	
3/4"	1"	20560	RH-IN	5020	7011		5170	5160	20561	
3/4"	1"	70500	LH-IN	5050	7021		5170	5160		70502
3/4"	1"	70510	RH-IN	5050	7011		5170	5160		70512
3/4"	1"	20610	LH-IN	5020	7083		5170	5160		
3/4"	1"	20620	RH-IN	5020	7073		5170	5160		
1"	1"	20650	LH-IN	5020	7123	5620				
1"	1"	20660	RH-IN	5020	7113	5620				
1"	1"		LH-IN	5701	7021		5171		20801	
1"	1"		RH-IN	5701	7011		5171		20811	
1"	1-1/4"	20100	LH-IN	5020	7021	5110			20101	20102
1"	1-1/4"	20110	RH-IN	5020	7011	5110			20111	20112

CAST STAINLESS STEEL				CONTENTS				
DOOR SIZE	POST SIZE	PART #	SWING OF DOOR	LATCH	HINGE SET	STRIKE/KEEPER	ONE PC. STRIKE	ONE PC. KEEPER
1/2"	3/4"	70543	LH-IN	5023	7123		5173	5163
1/2"	3/4"	70553	RH-IN	5023	7113		5173	5163
3/4"	3/4"	20453	LH-IN	5033	7123		5173	5163
3/4"	3/4"	20463	RH-IN	5033	7113		5173	5163
3/4"	3/4"	20943	LH-IN	5033	7423		5173	5163
3/4"	3/4"	20953	RH-IN	5033	7413		5173	5163
3/4"	1"	20553	LH-IN	5023	7083	5623		
3/4"	1"	20563	RH-IN	5023	7073	5623		
3/4"	1"	70503	LH-IN	5050	7083		5170	5160
3/4"	1"	70513	RH-IN	5050	7073		5170	5160
3/4"	1"	20613	LH-IN	5023	7043	5113		
3/4"	1"	20623	RH-IN	5023	7033	5113		
1"	1"	20653	LH-IN	5033	7123	5623		
1"	1"	20663	RH-IN	5033	7113	5623		
1"	1-1/4"	20903	LH-IN	5023	7423		5173	5163
1"	1-1/4"	20913	RH-IN	5023	7413		5173	5163
1"	1-1/4"	20103	LH-IN	5023	7083	5113		
1"	1-1/4"	20113	RH-IN	5023	7073	5113		
1"	1-1/4"	20123	LH-IN	5023	7123	5113		
1"	1-1/4"	20133	RH-IN	5023	7113	5113		

STAMPED STAINLESS STEEL				CONTENTS			
DOOR SIZE	POST SIZE	PART #	SWING OF DOOR	LATCH	HINGE SET	ONE PC. STRIKE	ONE PC. KEEPER
3/4"	3/4"	20459	LH-IN	6309	7123	6329	6319
3/4"	3/4"	20469	RH-IN	6309	7113	6329	6319
3/4"	3/4"	20949	LH-IN	6309	7083	6369	6499
3/4"	3/4"	20959	RH-IN	6309	7073	6369	6499
3/4"	1"	20019	LH-IN	6409	7043		6539
3/4"	1"	20029	RH-IN	6409	7033		6539
3/4"	1"	20559	LH-IN	6309	7083	6369	6499
3/4"	1"	20569	RH-IN	6309	7073	6369	6499
7/8"	1-1/4"	21909	LH-IN	6309	7423	6389	6499
7/8"	1-1/4"	21919	RH-IN	6309	7413	6389	6499
1"	1"	20109	LH-IN	6309	7089	6449	6499
1"	1"	20119	RH-IN	6309	7079	6449	6499

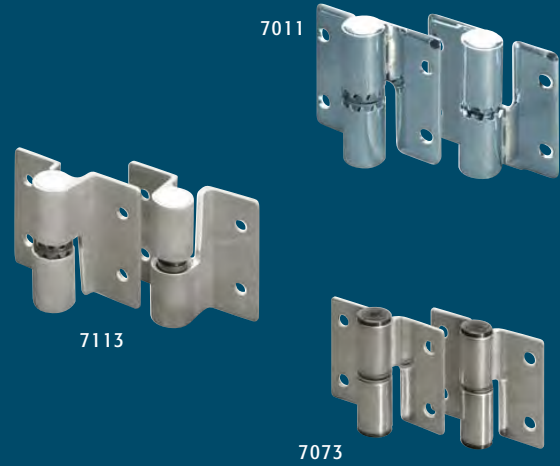
Bi-Fold Door Hardware



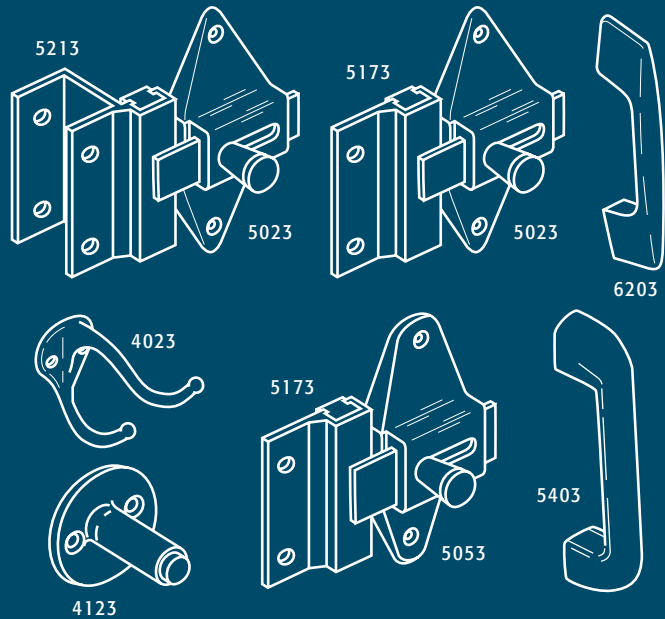
Toilet Partition Hardware Surface Mounted Door Packs

All packs are supplied with series #4020 door hooks and mounting hardware.

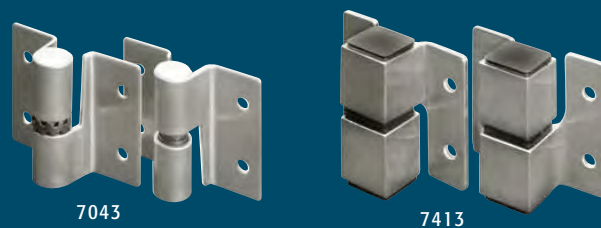
CHROME PLATED ZAMAC			CONTENTS						ALSO AVAILABLE IN	
DOOR SIZE	POST SIZE	PART #	SWING OF DOOR	LATCH	HINGE SET	STRIKE/KEEPER	ONE PC. STRIKE	DOOR PULL	CHROME PLATED BRASS	POLISHED BRASS
1/2"	1/2"	20530	LH-OUT	5020	7011		5170	6200		
1/2"	1/2"	20540	RH-OUT	5020	7021		5170	6200		
1/2"	3/4"	20430	LH-OUT	5020	7011		5170	6200		
1/2"	3/4"	20440	RH-OUT	5020	7021		5170	6200		
3/4"	3/4"	20470	LH-OUT	5020	7011		5170	6200		20472
3/4"	3/4"	20480	RH-OUT	5020	7021		5170	6200		20482
3/4"	1"	20570	LH-OUT	5020	7011		5170	6200	20571	
3/4"	1"	20580	RH-OUT	5020	7021		5170	6200	20581	
3/4"	1"	70520	LH-OUT	5020	7011		5170	5400		70522
3/4"	1"	70530	RH-OUT	5020	7021		5170	5400		70532
3/4"	1"	20630	LH-OUT	5020	7073		5170	6200		
3/4"	1"	20640	RH-OUT	5020	7083		5170	6200		
1"	1"	20670	LH-OUT	5020	7113		5170	6200		
1"	1"	20680	RH-OUT	5020	7123		5170	6200		
1"	1"		LH-OUT	5701	7011		5171	5401	20821	
1"	1"		RH-OUT	5701	7021		5171	5401	20831	
1"	1-1/4"	20200	LH-OUT	5020	7011	5210		6200	20201	20202
1"	1-1/4"	20210	RH-OUT	5020	7021	5210		6200	20211	20212



CAST STAINLESS STEEL			CONTENTS						
DOOR SIZE	POST SIZE	PART #	SWING OF DOOR	LATCH	HINGE SET	STRIKE/KEEPER	ONE PC. STRIKE	DOOR PULL	DOOR STOP
1/2"	3/4"	70563	LH-OUT	5023	7113		5173	6203	
1/2"	3/4"	70573	RH-OUT	5023	7123		5173	6203	
3/4"	3/4"	20473	LH-OUT	5023	7113		5173	6203	
3/4"	3/4"	20483	RH-OUT	5023	7123		5173	6203	
3/4"	3/4"	20963	LH-OUT	5023	7413		5173	6203	
3/4"	3/4"	20973	RH-OUT	5023	7423		5173	6203	
3/4"	1"	20573	LH-OUT	5023	7073	5723		6203	
3/4"	1"	20583	RH-OUT	5023	7083	5723		6203	
3/4"	1"	70523	LH-OUT	5050	7073		5170	5400	
3/4"	1"	70533	RH-OUT	5050	7083		5170	5400	
3/4"	1"	20633	LH-OUT	5023	7033	5213		6203	
3/4"	1"	20643	RH-OUT	5023	7043	5213		6203	
1"	1"	20673	LH-OUT	5023	7113	5723		6203	
1"	1"	20683	RH-OUT	5023	7123	5723		6203	
1"	1-1/4"	20923	LH-OUT	5023	7413		5173	6203	4123
1"	1-1/4"	20933	RH-OUT	5023	7423		5173	6203	4123
1"	1-1/4"	20203	LH-OUT	5023	7073	5213		6203	
1"	1-1/4"	20213	RH-OUT	5023	7083	5213		6203	
1"	1-1/4"	20223	LH-OUT	5023	7113	5213		6203	4123
1"	1-1/4"	20233	RH-OUT	5023	7123	5213		6203	4123



STAMPED STAINLESS STEEL			CONTENTS					
DOOR SIZE	POST SIZE	PART #	SWING OF DOOR	LATCH	HINGE SET	STRIKE/KEEPER	DOOR PULL	DOOR STOP
3/4"	3/4"	20479	LH-OUT	6309	7113	6329	6419	
3/4"	3/4"	20489	RH-OUT	6309	7123	6329	6419	
3/4"	3/4"	20969	LH-OUT	6309	7413	6379	6203	
3/4"	3/4"	20979	RH-OUT	6309	7423	6379	6203	
3/4"	1"	20039	LH-OUT	6309	7033	6569	6419	4129
3/4"	1"	20049	RH-OUT	6309	7043	6569	6419	4129
3/4"	1"	20579	LH-OUT	6309	7089	6379	6419	
3/4"	1"	20589	RH-OUT	6309	7079	6379	6419	
7/8"	1-1/4"	21929	LH-OUT	6309	7413	6399	6419	
7/8"	1-1/4"	21939	RH-OUT	6309	7423	6399	6419	
1"	1"	20209	LH-OUT	6309	7079	6559	6419	
1"	1"	20219	RH-OUT	6309	7089	6559	6419	



- Kitchens
- Doors
- Kitchen Accessories
- Hinges
- Drawer Slides
- Plywood Melamine
- Veneer Edgbanding
- Laminate
- Solid Surface
- Closets
- Furniture Hardware
- Pulls & Knobs
- Lighting
- Grommets
- Locks, Lock Systems
- Molding, Carvings
- Tools
- Adhesives Solvents Abrasives
- Chemicals Staples Screws

Special Order items

Bi-Fold Door Hardware

Toilet Partition Hardware Strike & Keepers Square Edge Posts



Kitchens

Doors

Kitchen Accessories

Hinges

Drawer Slides

Plywood Melamine

Veneer Edgebanding

Laminate

Solid Surface

Closets

Furniture Hardware

Pulls & Knobs

Lighting

Grommets

Locks, Lock Systems

Molding, Carvings

Tools

Adhesives Solvents Abrasives

Chemicals Staples Screws



5140
INSWING



5280
INSWING



5240
IN or OUT



5260
OUTSWING



5230
IN or OUT



5210
OUTSWING



5160
INSWING



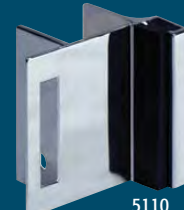
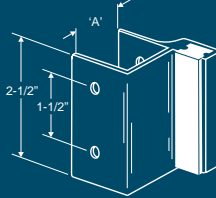
111770
INSWING



5180
INSWING



5170
INSWING



5110
INSWING



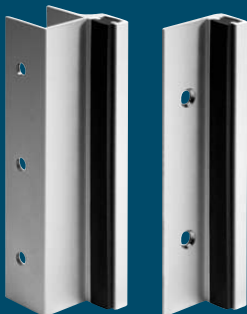
5340
INSWING



5778
INSWING

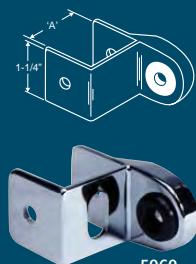


5798
INSWING



5878
OUTSWING

5898
OUTSWING



5960
IN or OUT



5980
INSWING



5970
OUTSWING



5650
INSWING

5640
OUTSWING

"A" POST SIZE	DESCRIPTION	CHROME PLATED ZAMAC	"SATIN" FINISH ZAMAC	CHROME PLATED BRASS	POLISHED BRASS	CAST STAINLESS STEEL	ALUMINUM EXTRUSION (CLEAR ANODIZE)	ALUMINUM EXTRUSION (BRITE-DIP)
1"		5620				5623	5624	5628
1-1/8"	Inswing for Slide Latch	56104						
1-1/4"		5110	5118	5111	5112	5113		
3/4"						4913		
1"	Outswing for Slide Latch	5720				5723	5724	5728
1-1/8"		57104						
1-1/4"		5210	5218	5211	5212	5213		
1"	Inswing or Outswing for Concealed Latches	5730				5733		
1-1/4"		5230		5231	5232	5233		
1-1/4"	Inswing or Outswing for Concealed Latches	5220						
3/4"						4903		
1"	Inswing for Throw Latch (Emergency Access)	5820				5823	5824	
1-1/4"		5340		5341	5342	5343		
FLATS								
ALL	Inswing for Slide Latch	5140	5148	5141	5142	5143	5144	85148
ALL	Inswing or Outswing for Concealed Latches	5240		5241	5242	5243		
ALL	Outswing for Slide Latch	5260		5261	5262	5263	5264	85268
ALL	Inswing for Throw Latch (Emergency Access)	5280		5281	5282	5283		
HALVES & SETS								
ALL	Inswing Keeper for Slide Latch	5160		5161	5162	5163	5164	
ALL	Inswing or Outswing Strike for Slide Latches	5170		5171	5172	5173	5174	
ALL	Inswing Keeper for Throw Latch (Emergency Access)	5180		5181	5182	5183	5184	
ALL	Inswing Keeper for Throw Latch (Emergency Access) - Short Slot	111770						
ALL	Strike & Keeper 2 pc Pack (5160 & 5170)	5680				5683		
6" HIGH ALUMINUM								
1"	Inswing						5778	
1"	Outswing						5878	
ALL	Inswing (Flat)						5798	
ALL	Outswing (Flat)						5898	
HALF HEIGHT								
1-1/4"	Inswing or Outswing for Concealed Latches	5960				5963		
1-1/4"	Outswing for Slide Latch	5970				5973		
1-1/4"	Inswing for Throw Latch (Emergency Access)	5980				5983		
1-1/4"	Inswing or Outswing for Concealed Latches (1-1/4" Doors)	5840						
HALF HEIGHT-FLATS								
ALL	Inswing or Outswing for Concealed Latches	5630				5633		
ALL	Outswing for Slide Latch	5640				5643		
ALL	Inswing for Throw Latch (Emergency Access)	5650				5653		

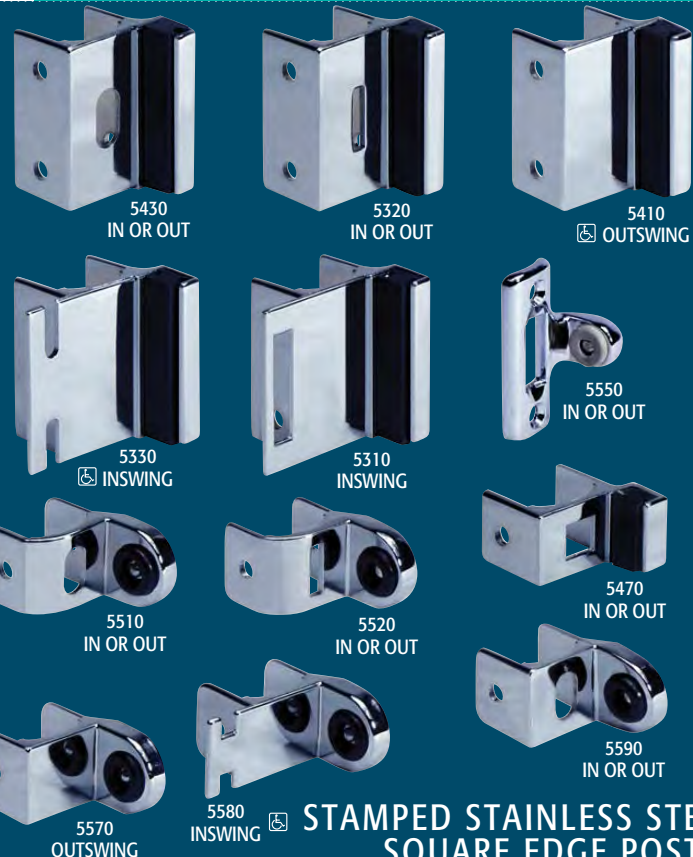
Bi-Fold Door Hardware



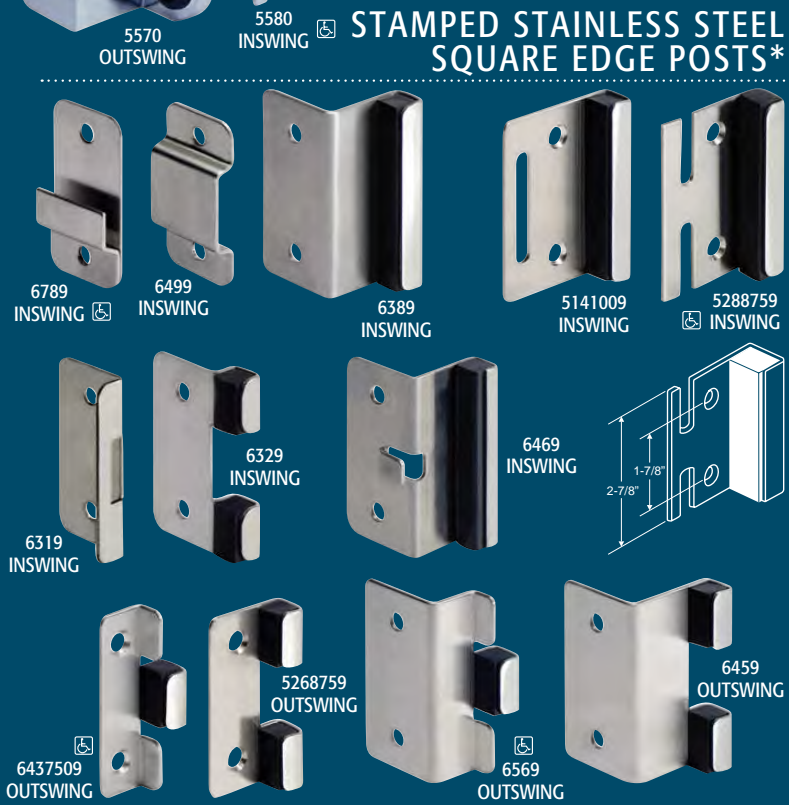
Toilet Partition Hardware Strike & Keepers Round Edge Posts

- Kitchens
- Doors
- Kitchen Accessories
- Hinges
- Drawer Slides
- Plywood Melamine
- Veneer Edgbanding
- Laminate
- Solid Surface
- Closets
- Furniture Hardware
- Pulls & Knobs
- Lighting
- Grommets
- Locks, Lock Systems
- Molding, Carvings
- Tools
- Adhesives Solvents Abrasives
- Chemicals Staples Screws

"A" POST SIZE	DESCRIPTION	CHROME PLATED ZAMAC	CHROME PLATED BRASS	CAST STAINLESS STEEL
1-1/4"	Inswing for Slide Latch	5310	5311	
1-1/4"	Inswing or Outswing for Concealed Latch with Flat Bar	5320	5321	
1-1/4"	Inswing for Throw Latch (Emergency Access)	5330		
1-1/4"	Outswing for Slide Latch	5410	5411	
1-1/4"	Inswing or Outswing for Concealed Latch with Round Bar	5430	5431	
1-1/4"	Inswing or Outswing for Concealed Latch	5550		
HALF HEIGHT				
1-1/4"	Inswing or Outswing for Concealed Latch	5470		
1-1/4"	Inswing or Outswing for Concealed Latch with Round Bar	5510	5511	5513
1-1/4"	Inswing or Outswing for Concealed Latch with Flat Bar	5520		
1-1/4"	Outswing for Slide Latch	5570		5573
1-1/4"	Inswing for Throw Latch (Emergency Access)	5580		5583
1-1/4"	Inswing or Outswing for Concealed Latch	5590		



DOOR SIZE	DESCRIPTION	STAMPED STAINLESS STEEL
INSWING		
1/2"	Inswing Strike	6349
3/4"	Inswing Strike	6369
7/8"	Inswing Strike	6389
1"	Inswing Strike	6449
1-1/8"	Inswing Strike	6429
All	Keeper for Above Strikes	6499
All	Keeper for Above Strikes (Emergency Access)	6789
3/4"	Inswing Strike & Keeper - with Tab	6469
All	Inswing or Outswing Strike - One Piece	6329
All	Inswing Keeper - One Piece	6319
INSWING-FLATS		
3/4"	Inswing Strike & Keeper	5147509
7/8"	Inswing Strike & Keeper	5148759
1"	Inswing Strike & Keeper	5141009
1-1/4"	Inswing Strike & Keeper	5141259
3/4"	Inswing Strike & Keeper (Emergency Access)	5287509
7/8"	Inswing Strike & Keeper (Emergency Access)	5288759
1"	Inswing Strike & Keeper (Emergency Access)	5281009
1-1/4"	Inswing Strike & Keeper (Emergency Access)	5281259
OUTSWING		
1/2"	Outswing Strike & Keeper	6359
3/4"	Outswing Strike & Keeper	6379
7/8"	Outswing Strike & Keeper	6399
1"	Outswing Strike & Keeper	6459
1-1/8"	Outswing Strike & Keeper	6599
1/2"	Outswing Strike & Keeper (Emergency Access)	6899
3/4"	Outswing Strike & Keeper (Emergency Access)	6569
1"	Outswing Strike & Keeper (Emergency Access)	6559
OUTSWING-FLATS		
1/2"	Outswing Strike & Keeper	5265009
3/4"	Outswing Strike & Keeper	5267509
7/8"	Outswing Strike & Keeper	5268759
1/2"	Outswing Strike & Keeper (Emergency Access)	6435009
3/4"	Outswing Strike & Keeper (Emergency Access)	6437509
1"	Outswing Strike & Keeper (Emergency Access)	6431009



*ALL MATERIAL AT 14 GAUGE (.075") WITH #4 SATIN FINISH. ALL PARTS USE #6309 SLIDE LATCH (found on page 18)

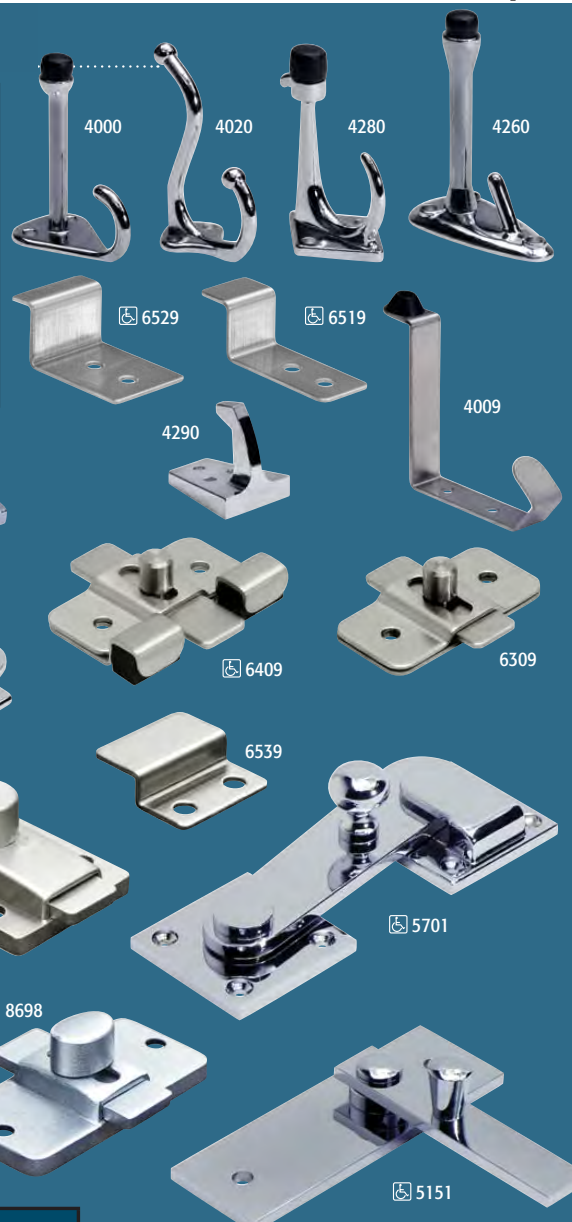
Bi-Fold Door Hardware

Toilet Partition Hardware Hooks, Door Stops & Latches



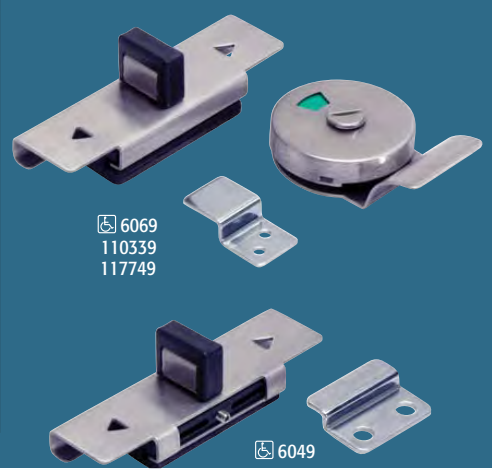
- Kitchens
- Doors
- Kitchen Accessories
- Hinges
- Drawer Slides
- Plywood Melamine
- Veneer Edgbanding
- Laminate
- Solid Surface
- Closets
- Furniture Hardware
- Pulls & Knobs
- Lighting
- Grommets
- Locks, Lock Systems
- Molding, Carvings
- Tools
- Adhesives Solvents Abrasives
- Chemicals Staples Screws

CHROME PLATED ZAMAC	CHROME PLATED BRASS	POLISHED BRASS	CAST STAINLESS STEEL	STAMPED STAINLESS STEEL	HOOKS
4000	4001	4002	4003		Hook & Bumper Combination (7/32" Dia. Holes)
			4113		Hook & Bumper Combination (1/4" Dia. Holes)
4020	4021	4022	4023		Two Prong Hook (7/32" Dia. Holes)
4260					Hook & Bumper Combination (7/32" Dia. Holes)
4280					Hook & Bumper Combination (1/4" Dia. Holes)
4290					Hook (3/16" Dia. Holes)
			4009		Flat & Bumper- 5/8" x 2-13/16" Extension (3/16" Dia. Holes)
			6519		Flat-1" x 1" Extension (9/32" Dia. Holes)
			6529		Flat-1/2" x 1" Extension (1/4") Dia. Holes)
DOOR STOPS					
4120		4122 *	4123	4129	2" High *Brass Plated Zamac
	4151		4153		Pilaster Mounted



FOR PROPER FUNCTION, ALL LATCHES REQUIRE A MATING STRIKE & KEEPER

CHROME PLATED ZAMAC	CHROME PLATED BRASS	POLISHED BRASS	CAST STAINLESS STEEL	CLEAR ANODIZED ALUMINUM	BRITE-DIP ALUMINUM	STAMPED STAINLESS STEEL	SLIDE LATCHES
5020	5021	5022	5023				Standard for #6200 Door Pull (2-3/4" Centers)
5030	5031	5032	5033				Offset Bar with #5020 (2-3/4" Centers)
5040	5041	5042	5043				Reverse Offset Bar with #5020 (2-3/4" Centers)
5000			5003				Reverse Offset Bar with #5050 (3-1/2" Centers)
5050	5051	5052	5053				Standard for #5400 Door Pull (3-1/2" Centers)
5060	5061	5062	5063				Offset Bar with #5050 (3-1/2" Centers)
6540							Standard for #6020 Door Pull (2-5/8" Centers)
8698 *			6983				Straight Bar - Four Hole (1-1/2" Centers Height)
				4988	4984		Straight Bar (2-3/4" Centers) *Satin Finish
				5054	5058		Angled Bar (3-1/2" Centers)
							Straight Bar (3-1/2" Centers)
						6049	With Keeper
						6069	With Keeper, Indicator and Door Pull
						6309	For all Stamped Stainless Steel Strike & Keepers
						6409	Inswing Latch & Strike Combination
						6539	Keeper for #6409
THROW LATCHES							
	5151		5153				Use with "T" Type Strike & Keepers
	5701		5703				Heavy Duty Latch & Keeper



Bi-Fold Door Hardware



Toilet Partition Hardware Surface Mounted Hinges

	CHROME PLATED BRASS	POLISHED BRASS	CAST STAINLESS STEEL	STAMPED STAINLESS STEEL	DESCRIPTION	FINISH	HINGE THICKNESS
#	7011	7012			RH-IN or LH-OUT (3" Height)	Polished	3/32"
#	7131	7132			Top Hinge Only RH-IN or LH-OUT		
#	7141	7142			Bottom Hinge Only RH-IN or LH-OUT		
#	7021	7022			LH-IN or RH-OUT (3" Height)	Polished	3/32"
#	7151	7152			Top Hinge Only LH-IN or RH-OUT		
#	7161	7162			Bottom Hinge Only LH-IN or RH-OUT		
				7033	RH-IN or LH-OUT (3" Height)	Satin	3/32"
				7043	LH-IN or RH-OUT (3" Height)		
				7053	RH-IN or LH-OUT (3" Height)		
				7063	LH-IN or RH-OUT (3" Height)	Satin	1/8"
*				7073	RH-IN or LH-OUT (2-1/2" Height)		
*				7083	LH-IN or RH-OUT (2-1/2" Height)		
*				7079	RH-IN or LH-OUT (2-1/2" Height)	Satin	3/32"
*				7089	LH-IN or RH-OUT (2-1/2" Height)		
*				7093	RH-IN or LH-OUT (2-7/8" Height)		
*				7103	LH-IN or RH-OUT (2-7/8" Height)	Satin	1/8"
				8169	RH-IN or LH-OUT (3-3/8" Height)		
				8179	LH-IN or RH-OUT (3-3/8" Height)		
				7113	RH-IN or LH-OUT (3" Height)	Satin	1/8"
				7133	Top Hinge Only RH-IN or LH-OUT		
				7143	Bottom Hinge Only RH-IN or LH-OUT		
				7123	LH-IN or RH-OUT (3" Height)	Satin	1/8"
				7153	Top Hinge Only LH-IN or RH-OUT		
				7163	Bottom Hinge Only LH-IN or RH-OUT		
Three Hinge Sets - Two Tops and One Bottom							
				7553	RH-IN or LH-OUT of 7113		
				7563	LH-IN or RH-OUT of 7123		
				7883	RH-IN or LH-OUT of 7093		
				7893	LH-IN or RH-OUT of 7103		
Spring Adjustable							
				8643	RH-IN/OUT or LH-IN/OUT (4" Height)	Polished	3/32"
				8649	RH-IN/OUT or LH-IN/OUT (4" Height)		
				8653	RH-IN/OUT or LH-IN/OUT (5" Height)	Polished	3/32"
				8659	RH-IN/OUT or LH-IN/OUT (5" Height)		
Square Barrel Hinges							
				7413	RH-IN or LH-OUT (3" Height)	Satin	1/8"
				7423	LH-IN or RH-OUT (3" Height)		
Locker Hinge							
				7719	RH-OUT or LH-OUT (2-3/4" Height)	Satin	3/32"

THREE HINGE SETS RECOMMENDED ON HANDICAPPED, OVERSIZED OR OUTSWING DOORS.
TWO HINGE SETS NOT RECOMMENDED FOR DOORS OVER 50 LBS.
THREE HINGE SETS NOT RECOMMENDED FOR DOORS OVER 70 LBS.

* HANDEDNESS OF HINGES CANNOT BE CHANGED

ROUND BARREL ALUMINUM (For 1" Material)		
PART #	DESCRIPTION	FINISH
7978	RH-IN or LH-OUT (8" Height)	Clear Anodized
7988	LH-IN or RH-OUT (8" Height)	Clear Anodized
8974	RH-IN or LH-OUT (8" Height)	Brite-Dip
8984	LH-IN or RH-OUT (8" Height)	Brite-Dip
Three Hinge Sets - One Top and Two Bottoms		
73714	RH-IN or LH-OUT	of (8974)
73724	LH-IN or RH-OUT	of (8984)
Replacement Parts		
97415	Set of Inserts for 3/4" Door and Post	Nylon-Black
8465	Cam & Pintle Set for Top Hinges	Nylon-Black
8475	Cam & Pin Set for Bottom Hinges	Nylon-Black

PIANO HINGES			
MATERIAL THICKNESS	LENGTHS	DESCRIPTION	STAMPED STAINLESS STEEL
16 Gauge	54"	RH-IN or LH-OUT - Spring Close (1/8" Pin)	7959
	54"	LH-IN or RH-OUT - Spring Close (1/8" Pin)	7969
14 Gauge	57"	RH-IN or LH-OUT - Spring Close (1/4" Pin)	7339
	57"	LH-IN or RH-OUT - Spring Close (1/4" Pin)	7349
16 Gauge	57-1/2"	No Spring (1/8" Pin)	7649
	57-1/2"	RH-IN or LH-OUT - Spring Close (1/8" Pin)	7659
	57-1/2"	LH-IN or RH-OUT - Spring Close (1/8" Pin)	7669
	71-1/2"	RH-IN or LH-OUT - Spring Close (1/8" Pin)	7759
	71-1/2"	LH-IN or RH-OUT - Spring Close (1/8" Pin)	7769
	54-1/2"	RH-IN/OUT or LH-IN/OUT - Cam Close (1/4" Pin)	7599
14 Gauge	54-1/2"	RH-IN/OUT or LH-IN/OUT - Cam Close (1/4" Pin) (20" Open)	7609
	57-1/2"	RH-IN/OUT or LH-IN/OUT - Cam Close (1/4" Pin)	7789
	57-1/2"	RH-IN/OUT or LH-IN/OUT - Cam Close (1/4" Pin) (20" Open)	7799



- Kitchens
- Doors
- Kitchen Accessories
- Hinges
- Drawer Slides
- Plywood Melamine
- Veneer Edgebanding
- Laminate
- Solid Surface
- Closets
- Furniture Hardware
- Pulls & Knobs
- Lighting
- Grommets
- Locks, Lock Systems
- Molding, Carvings
- Tools
- Adhesives Solvents Abrasives
- Chemicals Staples Screws

Special Order items

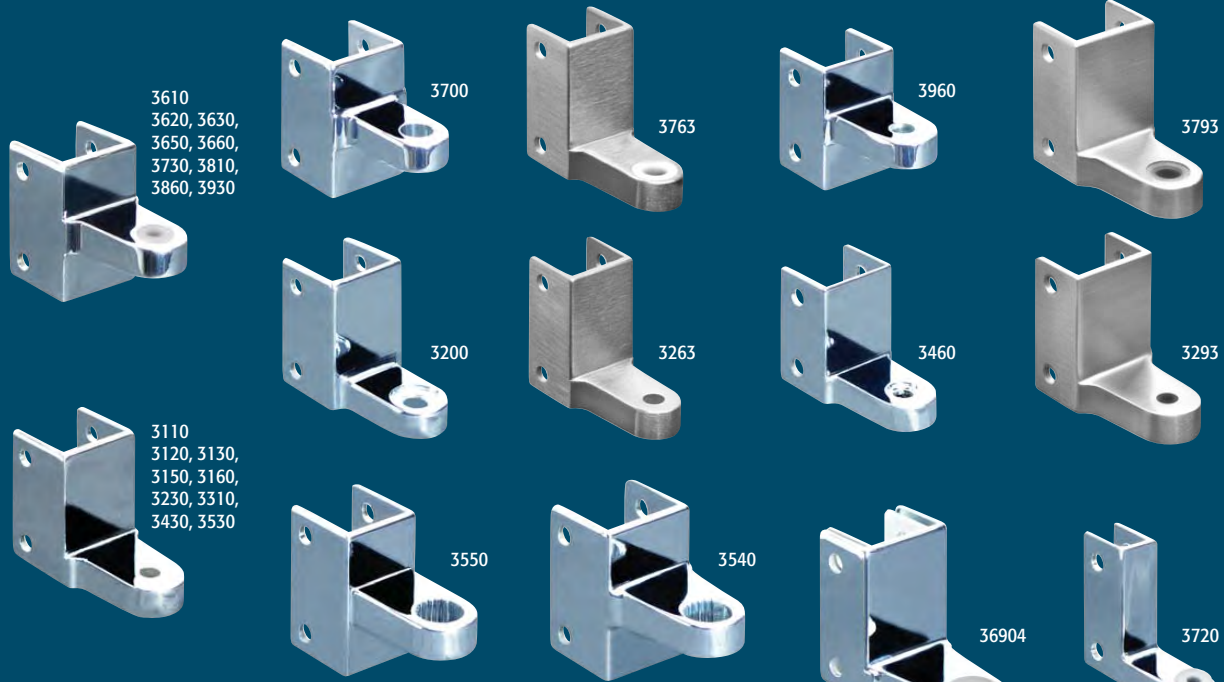
Bi-Fold Door Hardware

Toilet Partition Hardware Wrap Around Gravity Pivot Hinges

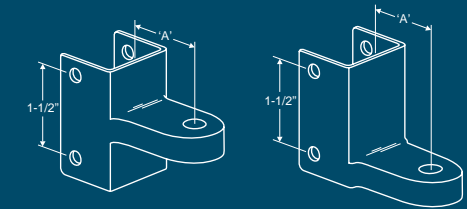
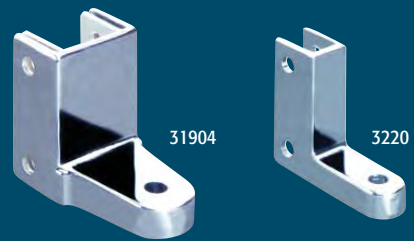


- Kitchens
- Doors
- Kitchen Accessories
- Hinges
- Drawer Slides
- Plywood Melamine
- Veneer Edgebanding
- Laminate
- Solid Surface
- Closets
- Furniture Hardware
- Pulls & Knobs
- Lighting
- Grommets
- Locks, Lock Systems
- Molding, Carvings
- Tools
- Adhesives Solvents Abrasives
- Chemicals Staples Screws

SQUARE EDGE POSTS



POST SIZE	LOCATION	CHROME PLATED ZAMAC	CHROME PLATED BRASS	POLISHED BRASS	CAST STAINLESS STEEL	DESCRIPTION	USE PIN	USE PINTLE OR CANDLE	USE CAM	"A" DIM
1/2"	Top	3720				G-1/2	99585	98265	98275	1.265"
	Bottom	3220								
1"	Top	3760			3763	G-4	99109	98265	98275	1.265"
	Bottom	3260			3263					
1-1/8"	Top	36904				G-2 (With Inserts)	99109	98175	98245	1.265"
	Bottom	31904								
1-1/4"	Top	3610	3611	3612	3613	AMPCO	99585	98265	98275	1.250"
	Bottom	3110	3111	3112	3113					
1-1/4"	Top	3620				GLOBAL		98175		1.155"
	Bottom	3120								1.197"
1-1/4"	Top	3630	3631	3632	3633	FIAT	99574	98175	98185	1.275"
	Bottom	3130	3131	3132	3133					
1-1/4"	Top	3650	3651		3653	SHANAHAN	98544	98175	98195	1.363"
	Bottom	3150	3151		3153					
1-1/4"	Top	3660	3661	3662	3663	COLUMBIA	99109	98175	98245	1.265"
	Bottom	3160	3161	3162	3163					
1-1/4"	Top	3700			3703	ACCURATE				1.200"
	Bottom	3200			3203					
1-1/4"	Top	3730	3731		3733	FLUSH METAL	98584	98175	98185	1.200"
	Bottom	3230	3231		3233					
1-1/4"	Top	3790	3681	3682	3793	G-3	99109	98265	98275	1.265"
	Bottom	3290	3181	3182	3293			98175	98245	
1-1/4"	Top	3860			3863	KNICKERBOCKER (LAMINATE)	98614	97275		1.433"
	Bottom	3530			3533					
1-1/4"	Top	3810	3811		3813	KNICKERBOCKER & GENERAL (STEEL)	98614	97275	97265	1.385"
	Bottom	3310	3311		3313					
1-1/4"	Top	3930			3933	METPAR	98584	97235		1.104"
	Bottom	3430			3433					
1-1/4"	Top	3960				SANVMETAL	98715	97280		1.093"
	Bottom	3460								
1"	Top & Bottom	3550				M-3 Bottom or Top	99109	89830	89820	1.300"
1-1/4"	Top & Bottom	3540	3541	3542		M - Bottom or Top	99109	89830	89820	1.300"



PINS, PINTLES & CAMS SOLD SEPERATELY. SEE PAGE 23.

POST	DOOR	PIVOT HINGE (Roller Bearing Design)			
1/2"	1/2"				7803
3/4" & 1"	1/2"				7853 Includes 3/4" Inserts
3/4" & 1"	3/4" & 1"				7813 Includes 3/4" Inserts

Bi-Fold Door Hardware

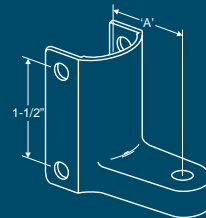
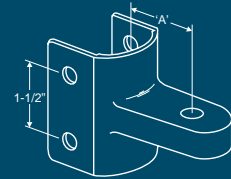


Toilet Partition Hardware Wrap Around Gravity Pivot Hinges

- Kitchens
- Doors
- Kitchen Accessories
- Hinges
- Drawer Slides
- Plywood Melamine
- Veneer Edgbanding
- Laminate
- Solid Surface
- Closets
- Furniture Hardware
- Pulls & Knobs
- Lighting
- Grommets
- Locks, Lock Systems
- Molding, Carvings
- Tools
- Adhesives Solvents Abrasives
- Chemicals Staples Screws

ROUND EDGE POSTS

POST SIZE	LOCATION	CHROME PLATED ZAMAC	CHROME PLATED BRASS	POLISHED BRASS	CAST STAINLESS STEEL	DESCRIPTION	USE PIN	USE PINTLE OR CANDLE	USE CAM	"A" DIM
1-1/4"	Top	3510	3511	3512	3513	FLUSH METAL	98584	98175	98185	1.085"
	Bottom	3010	3011	3012	3013					1.156"
1-1/4"	Top	3900			3903	SANY METAL	98715	97290		1.065"
	Bottom	3060			3403					
1-1/4"	Top	3910			3913	KNICKERBOCKER & GENERAL	98614	97265		1.385"
	Bottom	3420			3423			97275		
1-1/4"	Top	4530	4531		4533	METPAR	98584		97435	1.070"
	Bottom	4040	4041		4043				1.104"	
1-1/4"	Top	4530	4531		4533	AMPKO	98584	98175	98185	1.070"
	Bottom	4040	4041		4043					1.104"



FLATS

LOCATION	CHROME PLATED ZAMAC	CHROME PLATED BRASS	POLISHED BRASS	CAST STAINLESS STEEL	DESCRIPTION	USE PIN	USE PINTLE OR CANDLE	USE CAM	"A" DIM
Top	3710			3713	ACCURATE				1.200"
Bottom	3210			3213					
Top	3740	3741		3743	AMPKO (LAMINATE)	99585	98265	98275	1.250"
Bottom	3240	3241		3243					
Top	3880			3883	AMPKO & METPAR (STEEL)	98584	97245	98185	1.104"
Bottom	3280			3283			98175		
Top	3750	3751	3752	3753	G-3	99109	98265	98275	1.265"
Bottom	3250	3251	3252	3253			98175		
Top	3940			3943	KNICKERBOCKER (LAMINATE)	98614	97275		1.433"
Bottom	3870			3873					
Top	3970	3971		3973	KNICKERBOCKER & GENERAL (STEEL)	98614	97275	97265	1.385"
Bottom	3470	3471		3473					



Special Order items

Bi-Fold Door Hardware

Toilet Partition Hardware Pilaster Shoes & Anchoring Devices



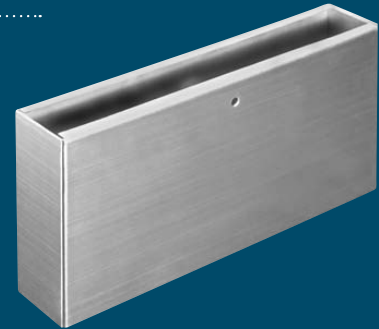
All Shoes are made of 22 gauge #304 Stainless Steel with #4 satin finish.



***3" HIGH PILASTER SHOES**



***4" HIGH PILASTER SHOES**



4" HIGH 'OFFSET' PILASTER SHOES

Length	Width					
	1/2"	3/4"	7/8"	1"	1-1/8"	1-1/4"
2"	36029	35029	31029	34029	33029	32029
3"	36039	35039	31039	34039	33039	32039
4"	36049	35049	31049	34049	33049	32049
5"	36059	35059	31059	34059	33059	32059
6"	36069	35069	31069	34069	33069	32069
7"	36079	35079	31079	34079	33079	32079
8"	36089	35089	31089	34089	33089	32089
9"	36099	35099	31099	34099	33099	32099
10"	36109	35109	31109	34109	33109	32109
11"	36119	35119	31119	34119	33119	32119
12"	36129	35129	31129	34129	33129	32129
13"	36139	35139	31139	34139	33139	32139
14"	36149	35149	31149	34149	33149	32149
15"		35159	31159	34159	33159	32159
16"	36169	35169	31169	34169	33169	32169
17"		35179	31179	34179	33179	32179
18"	36189	35189	31189	34189	33189	32189
19"	36199	35199		34199	33199	32199
20"	36209	35209	31209	34209	33209	32209
21"		35219	31219	34219		32219
22"	36229	35229	31229	34229	33229	32229
23"		35239	31239	34239		32239
24"	36249	35249	31249	34249	33249	32249
25"	36259	35259	31259	34259	33259	32259
26"	36269	35269		34269	33269	32269
28"	36289	35289	31289	34289	33289	32289
30"	36309	35309	31309	34309	33309	32309

Length	Width					
	1/2"	3/4"	7/8"	1"	1-1/8"	1-1/4"
2"	46029	45029	41029	44029	43029	42029
3"	46039	45039	41039	44039	43039	42039
4"	46049	45049	41049	44049	43049	42049
5"	46059	45059	41059	44059	43059	42059
6"	46069	45069	41069	44069	43069	42069
7"	46079	45079	41079	44079	43079	42079
8"	46089	45089	41089	44089	43089	42089
9"	46099	45099	41099	44099	43099	42099
10"	46109	45109	41109	44109	43109	42109
11"	46119	45119	41119	44119	43119	42119
12"	46129	45129	41129	44129	43129	42129
13"		45139	41139	44139	43139	42139
14"	46149	45149	41149	44149	43149	42149
15"		45159		44159	43159	42159
16"	46169	45169	41169	44169	43169	42169
17"			41179	44179		42179
18"	46189	45189	41189	44189	43189	42189
19"			41199	44199	43199	42199
20"	46209	45209	41209	44209	43209	42209
21"		45219	41219	44219	43219	42219
22"	46229	45229	41229	44229	43229	42229
23"			41239	44239		42239
24"	46249	45249	41249	44249	43249	42249
25"		45259	41259	44259	43259	42259
26"	46269	45269		44269	43269	42269
28"	46289	45289		44289	43289	42289
30"	46309	45309	41309	44309	43309	42309

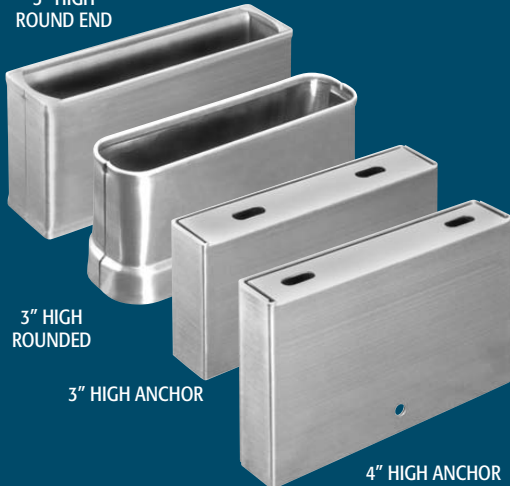
Length	Width*		
	1/2"	3/4"	1"
2"	56029	55029	54029
3"	56039	55039	54039
4"	56049	55049	54049
5"	56059	55059	54059
6"	56069	55069	54069
7"	56079	55079	54079
8"	56089	55089	54089
9"	56099	55099	54099
10"	56109	55109	54109
12"	56129	55129	54129
14"	56149	55149	54149
16"	56169	55169	54169
18"	56189	55189	54189
20"	56209	55209	54209
22"	56229	55229	54229
24"	56249	55249	54249

Widths measured at top opening

PILASTER ANCHORING DEVICES	
PART #	DESCRIPTION
3030	1-1/4" Pilaster Shoe (Use with #98334 Tube)
3040	1-3/4" Pilaster Shoe (Use with #98434 Tube)
6000	1-1/4" x 3" Post Shoe
8503	1-1/4" Pilaster Anchor Bracket (11-1/2" - 14" Range)
85083	1-1/4" Pilaster Anchor Bracket (9-1/2" - 12" Range)
85093	1-1/4" Pilaster Anchor Bracket (7-1/2" - 10" Range)
8513	1-1/4" Pilaster Anchor Bracket - One Ear (11-1/2" - 14" Range)
85183	1-1/4" Pilaster Anchor Bracket - One Ear (9-1/2" - 12" Range)
85193	1-1/4" Pilaster Anchor Bracket - One Ear (7-1/2" - 10" Range)

* Custom sizes available upon request.
Open Ended available in all sizes.

3" HIGH ROUND END



3" HIGH ROUNDED

3" HIGH ANCHOR

4" HIGH ANCHOR

ANCHOR SHOES

Length	3" HIGH ROUNDED	3" HIGH ROUND END	Length	3" HIGH (20 Gauge)	4" HIGH (18 Gauge)
	Width			Width	
	1-1/4"			1"	
2"	61029		3"	30039	48039
3"	61039	62039	4"	30049	48049
4"	61049	62049	5"	30059	48059
5"	61059	62059	6"	30069	48069
6"	61069	62069	7"	30079	48079
7"	61079	62079	8"	30089	48089
8"	61089	62089	9"	30099	48099
9"		62099	10"	30109	48109
10"	61109	62109	11"	30119	
12"	61129	62129	12"	30129	48129
14"		62149	14"	30149	48149
18"	61189	62189	16"	30169	
20"	61209		18"	30189	48189
21"		62219	20"	30209	
24"	61249	62249	22"	30229	
30"		62309	24"	30249	48249



6000

Bi-Fold Door Hardware



Toilet Partition Hardware Pilaster Shoes & Anchoring Devices

- Kitchens
- Doors
- Kitchen Accessories
- Hinges
- Drawer Slides
- Plywood Melamine
- Veneer Edgbanding
- Laminate
- Solid Surface
- Closets
- Furniture Hardware
- Pulls & Knobs
- Lighting
- Grommets
- Locks, Lock Systems
- Molding, Carvings
- Tools
- Adhesives Solvents Abrasives
- Chemicals Staples Screws

30414

For 1" Thick and Larger Pilaster Posts.

30524, 30544, 30584

30524 For 1-1/4" X 2" to 4" Posts.
30544 For 1-1/4" X 4" to 7" Posts.
30584 For 1-1/4" X 8" & Up.

30619

For all "Floor-to-Ceiling" Installations

For all size posts. Specify thickness of Pilaster Post when ordering.

30719

For all thickness posts. Specify thickness of pilaster post when ordering.

Post Lengths	Qty
3" - 5"	one pc
6" - 17"	two pcs
18" +	3 pcs

30810

For 1-1/4" thick Pilaster Posts
Stainless Steel spacer plates must be ordered separately

30999
Stainless Steel spacer plates measure 3"x10". Other lengths can be fabricated upon request.

31016

For 1-1/4" & 1-1/8" Posts.

31056

For 3/4" thick & larger Pilaster Posts.
For 4" wide & larger Pilaster Posts.

74030

For 1-1/4" & 1-1/8" Posts.

83314

For all "Floor-to-Ceiling" Installations

For 1-1/4" steel Pilaster Posts.

83354

For 1-1/4" & 1-1/8" Posts.

3080, 116599, 3079, 96356, 72214, 96924, 96324, 96914, 87304-87934

72184, 72194, 72224, 6816, 6826, 3106, 96374, 72204, 72274

95154, 95144, 8106, 8116, 9005, 9015

PART #	DESCRIPTION
3079	3" x 2-1/2" L-Bracket
3080	1-1/4" Split Pilaster Shoe (One-Piece)
3106	Pilaster Foot
6816	Top L-Anchor for Plastic Laminate
6826	Bottom L-Anchor for Plastic Laminate
8106	3/8" Expansion Floor Anchor
8116	3/8" Double Expansion Floor Anchor
9005	Plastic Anchor for #10 - 12 Screws
9015	Plastic Anchor for #14 - 16 Screws
30999	3" x 10" Spacer Plate (Two-Pack) Used with #3080
72184	Pilaster Anchor Fork (Open)
72194	Pilaster Anchor Fork (Closed)
72204	Spring Clip
72214	Box Clamp Anchor

PART #	DESCRIPTION
72224	Pilaster Anchoring Fork - Half Height (Open)
72274	Spring Clip
87304	3/8-16 x 4" Threaded Rod - Zinc Plated
87334	3/8-16 x 6" Threaded Rod - Zinc Plated
87374	3/8-16 x 8" Threaded Rod - Zinc Plated
87394	3/8-16 x 10" Threaded Rod - Zinc Plated
95144	3/8-16 x 2-1/2" Hex Bolt - Zinc Plated
95154	1/2" x 3" Threaded Rod - Zinc Plated
96324	3/8-16 Hex Nut
96356	3/8-16 x 7/8" Square Nut
96374	3/8-16 4-Prong T-Nut
96914	3/8" Split Lock Washer
96924	3/8" Flat Washer
116599	3/4" X-Long U-Bracket

PILASTER MOUNTING BARS	
Part #	Post Size
65039	3"
65049	4"
65059	5"
65069	6"
65079	7"
65089	8"
65099	9"
65109	10"
65129	12"

31036

Consists of Fasteners only. Mounting Bars must be ordered separately.

Special Order items

Bi-Fold Door Hardware

Sliding Doors



Kitchens

Improved, Even Smoother Runners, Thanks To Their Lower Bearings And Their Triple Running Points Which Prevent Unwanted Door Movement. But Above All It Is Known For Its Automatic And Cushioned Gradual Soft Closing.

Doors

The Junior-6 Is The Right Product For Those Installations Where Any Size Is Possible, Whether Contract Or Renovation. Its Design Has Been Carefully Studied To Provide An Easy Installation Of The Wardrobe And Adaptation Without Any Special Fitting.

Kitchen Accessories

This Should Be The Reason For Choosing A Top Quality Wardrobe With Multiple Options, Finishes, Models, Or Runner Systems. The Junior-6 Indamatic Version Represents The Ultimate In Wardrobe Quality.

Without A Doubt, It Surpasses Other Alternatives On The Market And Could Only Come From Indaux's Innovative R&D Division.

Hinges

Drawer Slides

Plywood Melamine

Veneer Edgebanding

Laminate

Solid Surface

Closets

Furniture Hardware

Pulls & Knobs

Lighting

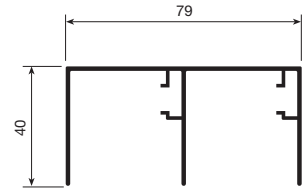


DOUBLE UPPER TRACK. 2 DOOR

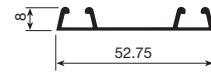
Order Number	Finish
31-170	Matt silver-anodized

LOWER TRACK. 2 DOOR

Order Number	Finish
31-172	Matt silver-anodized



Double Upper Track



Double Track

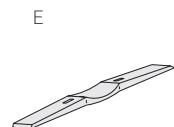
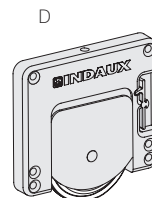
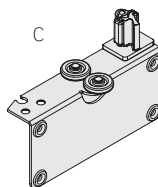
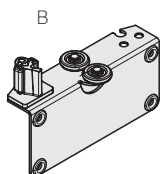
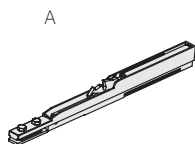


BAG OF COMPONENTS. 2 DOOR

Order Number	
31-174	

EACH BAG CONTAINS.

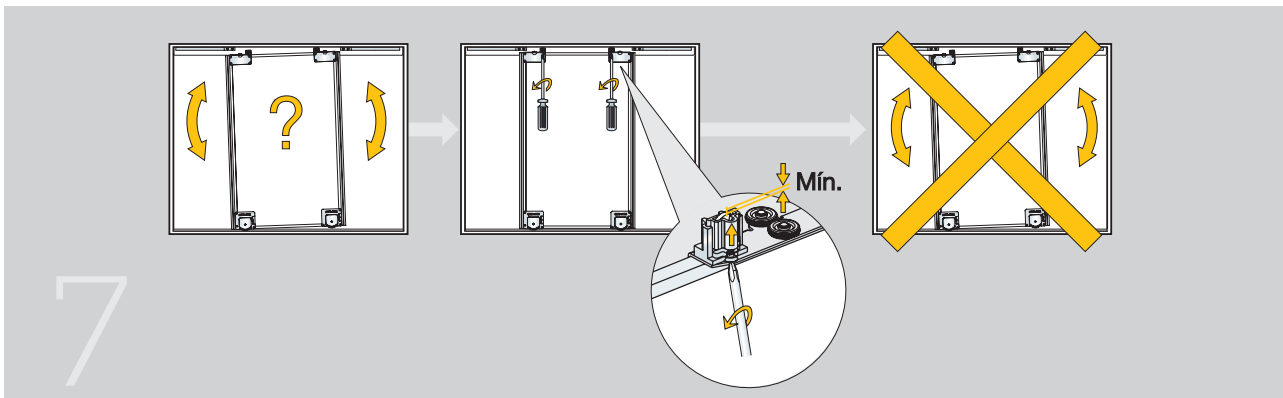
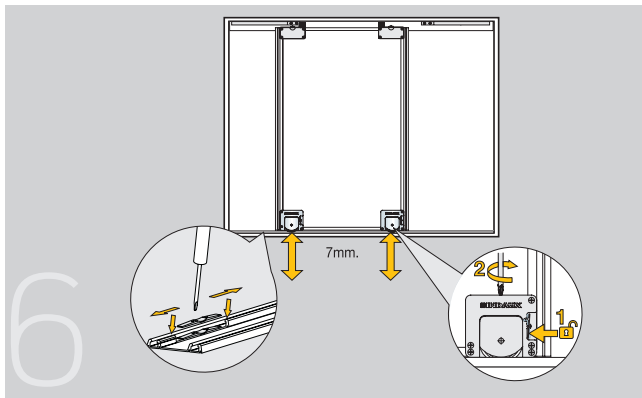
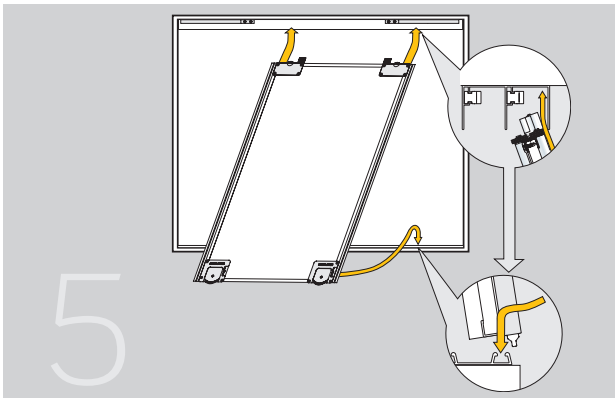
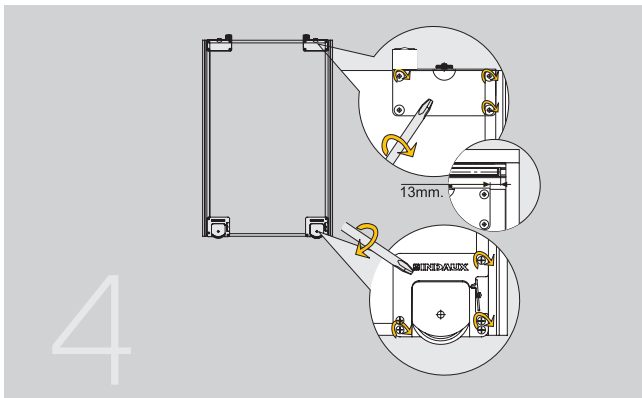
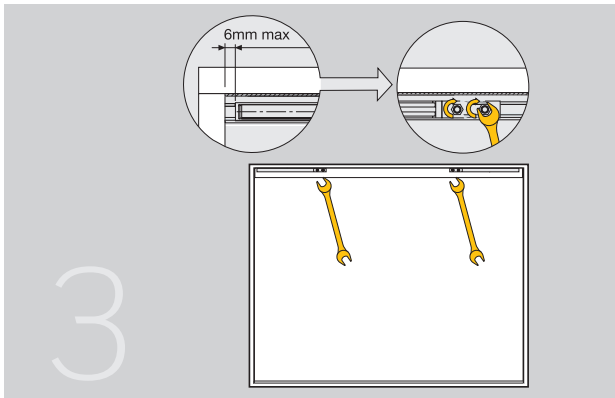
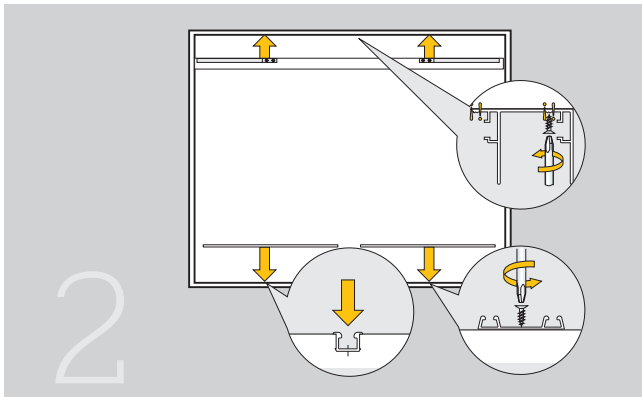
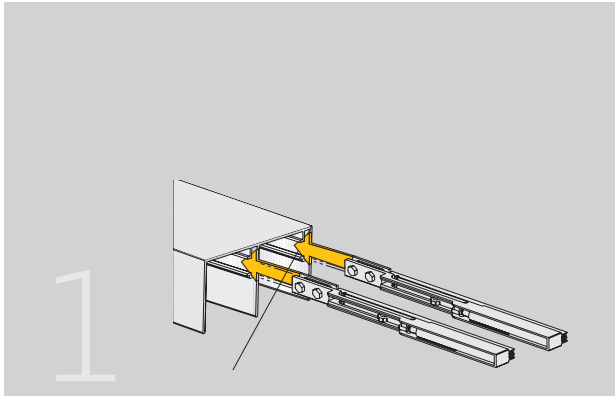
A	Cushioned automatic gradual closing
B	R/H top roller
C	L/H top roller
D	Bottom Roller
E	Door Positioner



Bi-Fold Door Hardware

INDA^{matic}

Sliding Doors



Kitchens

Doors

Kitchen
Accessories

Hinges

Drawer
Slides

Plywood
Melamine

Veneer
Edgebanding

Laminate

Solid
Surface

Closets

Furniture
Hardware

Pulls
&
Knobs

Lighting

Grommets

Locks,
Lock
Systems

Molding,
Carvings

Tools

Adhesives
Solvents
Abrasives

Chemicals
Staples
Screws

Bi-Fold Door Hardware



Door Hardware

Kitchens

Doors

6023 SERIES

6053 SERIES

71-034 SERIES

71-111 SERIES

Kitchen Accessories

Hinges

Drawer Slides

Plywood Melamine

Veneer Edgebanding

Laminates

Solid Surface

Closets

Furniture Hardware

Pulls & Knobs

Lighting

Grommets

Locks, Lock Systems

Molding, Carvings

Tools

Adhesives Solvents Abrasives

Chemicals Staples Screws

6003 Single Track - 12'
For single & by-parting
3/4" doors - 50lbs. to 75#
Dimensions: 1-13/16" x 15/16"
Material: extruded aluminum



ORDER NUMBER
H6003-12

6003 Single Track - 12'
For single & by-parting
3/4" doors - 50lbs. to 75#
Dimensions: 1-13/16" x 15/16"
Material: extruded aluminum



ORDER NUMBER
H6003-12

7001 Sgle "I" Beam Trk - 12'
For single & parting
1-3/8" doors - 150lbs.
Dimensions: 15/16" x 1-9/16"
Material: extruded aluminum



ORDER NUMBER
H7001-12

7001 Sgle "I" Beam Trk - 12'
For single & parting
1-3/8" doors - 150lbs.
Dimensions: 15/16" x 1-9/16"
Material: extruded aluminum



ORDER NUMBER
H7001-12

6330 Single Wheel Carrier
1/2" offset
Single wheel, adjustable, side mount
Material: steel zinc plated / nylon wheel



ORDER NUMBER
H6330

6360 Single Wheel Carrier
1/2" offset
Single wheel, adjustable, side mount
Material: steel zinc plated / nylon wheel



ORDER NUMBER
H6360

7000 Ball Bearing Carrier
Use with: 7034 Apron (31-854)
7038 Apron (31-856)
7222 Top Plate (31-852)
Material: steel zinc plated / nylon wheels



ORDER NUMBER
H7000

7000 Ball Bearing Carrier
Use with: 7034 Apron (31-854)
7038 Apron (31-856)
7222 Top Plate (31-852)
Material: steel zinc plated / nylon wheels



ORDER NUMBER
H7000

110 Floor Guide

For single installation doors dimensions:
1-3/4" x 3/4"
Material: nylon



ORDER NUMBER
H110

110 Floor Guide

For single installation doors dimensions:
1-3/4" x 3/4"
Material: nylon



ORDER NUMBER
H110

7034 Apron

Use with: 7000 Carrier or 3/4" Offset
Side mount / adjustable
Material: steel zinc plated



ORDER NUMBER
H7034

7111 Top Plate

Use with: 7000 Carrier
Side mount / non-adjustable
Material: steel zinc plated



ORDER NUMBER
H7111

110 Floor Guide

For single installation doors dimensions:
1-3/4" x 3/4"
Material: nylon



ORDER NUMBER
H110

7014 Bumper Stop

Installs on track
Material: steel w/ rubber bumper



ORDER NUMBER
H7014



Bi-Fold Door Hardware



Door Hardware

71-138 SERIES

7001 Sglt "I" Beam Trk - 12'
 For single & parting
 1-3/8" doors - 150lbs.
 Dimensions: 15/16" x 1-9/16"
 Material: extruded aluminum



ORDER NUMBER
H7001-12

71-222 SERIES

7001 Sglt "I" Beam Trk - 12'
 For single & parting
 3/4" doors - 150lbs.
 Dimensions: 15/16" x 1-9/16"
 Material: extruded aluminum



ORDER NUMBER
H7001-12

1210 SERIES

1201 Single Track - 12'
 For single by-parting & by-passing
 1" doors - 175 lb. to 225 lb.
 Dimensions: 1-19/64" x 1/7/8"
 Material: steel zinc plated / rubber



ORDER NUMBER
H1201-12

73-034 SERIES

7002 Dble "I" Beam Trk - 12'
 For by-passing doors
 3/4" doors - 150lbs.
 Dimensions: 15/16" x 1-22/32"
 Material: extruded aluminum



ORDER NUMBER
H7002-12

7000 Ball Bearing Carrier

Use with: 7034 Apron (31-854)
 7038 Apron (31-856)
 7222 Top Plate (31-852)
 Material: steel zinc plated / nylon wheels



ORDER NUMBER
H7000

7000 Ball Bearing Carrier

Use with: 7034 Apron (31-854)
 7038 Apron (31-856)
 7222 Top Plate (31-852)
 Material: steel zinc plated / nylon wheels



ORDER NUMBER
H7000

1202 Carrier

With pendant & top plate
 Top mount / adjustable
 Material: steel zinc plated / nylon wheels



ORDER NUMBER
H1202

7000 Ball Bearing Carrier

Use with: 7034 Apron (31-854)
 7038 Apron (31-856)
 7222 Top Plate (31-852)
 Material: steel zinc plated / nylon wheels



ORDER NUMBER
H7000

7138 Apron

Use with: 7000 Carrier or 1-1/8" Offset
 Side mount / adjustable
 Material: steel zinc plated



ORDER NUMBER
H7138

7222 Top Plate



ORDER NUMBER
H7222

1212 Bumper Stop

Installs on track.
 Material: Aluminum w/ rubber bumpers



ORDER NUMBERS
H1212

7034 Apron

Use with: 7000 Carrier or 3/4" Offset
 Side mount / adjustable
 Material: steel zinc plated



ORDER NUMBER
H7034

110 Floor Guide

For single installation doors dimensions:
 1-3/4" x 3/4"
 Material: nylon



ORDER NUMBER
H110

110 Floor Guide

For single installation doors dimensions:
 1-3/4" x 3/4"
 Material: nylon



ORDER NUMBER
H110

7015 Floor Guide

Surface mounted "T"
 Dimensions: 3/4" x 7/8" x 3"
 Material: zamac



ORDER NUMBER
H7015

116 Floor Guide

Non-adjustable for 3/4" doors
 Dimensions: 2-5/8" x 2-1/2"
 Material: nylon



ORDER NUMBER
H116

Kitchens

Doors

Kitchen
 Accessories

Hinges

Drawer
 Slides

Plywood
 Melamine

Veneer
 Edgbanding

Laminate

Solid
 Surface

Closets

Furniture
 Hardware

Pulls
 &
 Knobs

Lighting

Grommets

Locks,
 Lock
 Systems

Molding,
 Carvings

Tools

Adhesives
 Solvents
 Abrasives

Chemicals
 Staples
 Screws

Bi-Fold Door Hardware



Door Hardware

Kitchens

72-118 SERIES

71-134 SERIES

72-138 SERIES

72-222 SERIES

Doors

7002 Dble "1" Beam Trk - 12'

For by-passing doors
3/4" doors - 150lbs.
Dimensions: 15/16" x 1-22/32"
Material: extruded aluminum



ORDER NUMBER
H7002-12

7003 Dble "1" Beam Trk - 12'

For by-passing doors
1-3/4" - 150lbs.
Dimensions: 15/16" x 1-22/32"
Material: extruded aluminum



ORDER NUMBER
H7003-12

7003 Dble "1" Beam Trk - 12'

For by-passing doors
1-3/8" - 150lbs.
Dimensions: 15/16" x 1-22/32"
Material: extruded aluminum



ORDER NUMBER
H7003-12

7002 Dble "1" Beam Trk - 12'

For by-passing doors
3/4" doors - 150lbs.
Dimensions: 15/16" x 1-22/32"
Material: extruded aluminum



ORDER NUMBER
H7002-12

7000 Ball Bearing Carrier

Use with: 7034 Apron (31-854)
7038 Apron (31-856)
7222 Top Plate (31-852)
Material: steel zinc plated / nylon wheels



ORDER NUMBER
H7000

7000 Ball Bearing Carrier

Use with: 7034 Apron (31-854)
7038 Apron (31-856)
7222 Top Plate (31-852)
Material: steel zinc plated / nylon wheels



ORDER NUMBER
H7000

7000 Ball Bearing Carrier

Use with: 7034 Apron (31-854)
7038 Apron (31-856)
7222 Top Plate (31-852)
Material: steel zinc plated / nylon wheels



ORDER NUMBER
H7000

7000 Ball Bearing Carrier

Use with: 7034 Apron (31-854)
7038 Apron (31-856)
7222 Top Plate (31-852)
Material: steel zinc plated / nylon wheels



ORDER NUMBER
H7000

7034 Apron

Use with: 7000 Carrier or 3/4" Offset
Side mount / adjustable
Material: steel zinc plated

ORDER NUMBER
H7034

7034 Apron

Use with: 7000 Carrier or 3/4" Offset
Side mount / adjustable
Material: steel zinc plated

ORDER NUMBER
H7034

7138 Apron

Use with: 7000 Carrier or 1-1/8" Offset
Side mount / adjustable
Material: steel zinc plated



ORDER NUMBER
H7138

7222 Top Plate



ORDER NUMBER
H7222

7138 Apron

Use with: 7000 Carrier or 1-1/8" Offset
Side mount / adjustable
Material: steel zinc plated



ORDER NUMBER
H7138

7138 Apron

Use with: 7000 Carrier or 1-1/8" Offset
Side mount / adjustable
Material: steel zinc plated



ORDER NUMBER
H7138

117 Floor Guide

Non-adjustable for 1-3/8" doors
Dimensions: 3-7/8" x 2-1/8"
Material: steel zinc plated / nylon



ORDER NUMBER
H117

116 Floor Guide

Non-adjustable for 3/4" doors
Dimensions: 2-5/8" x 2-1/2"
Material: nylon



ORDER NUMBER
H116

119 Floor Guide

Non-adjustable for 1-1/8" doors
Material: steel zinc plated / nylon



ORDER NUMBER
H119

118 Floor Guide

Non-adjustable for 1-3/4" doors
Dimensions: 4-5/8" x 2-1/8"
Material: steel zinc plated / nylon



ORDER NUMBER
H118

Kitchen Accessories

Hinges

Drawer Slides

Plywood Melamine

Veneer Edgebanding

Laminate

Solid Surface

Closets

Furniture Hardware

Pulls & Knobs

Lighting

Grommets

Locks, Lock Systems

Molding, Carvings

Tools

Adhesives Solvents Abrasives

Chemicals Staples Screws

Bi-Fold Door Hardware



Door Hardware

Kitchens

72-223 SERIES

7002 Dble "I" Beam Trk - 12'
For by-passing doors
1-3/8" doors - 150lbs.
Dimensions: 15/16" x 1-22/32"
Material: extruded aluminum



ORDER NUMBER
H7002-12

6065 SERIES

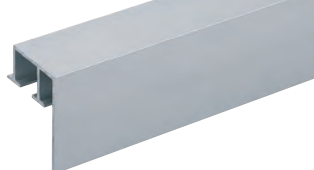
6005 Dble Fascia Trk - 12'
For single & by-parting
3/4" doors - 75
Dimensions: 1-15/16" x 1-1/2"
Material: extruded anodized aluminum



ORDER NUMBER
H6005-12

73-034 SERIES

7004 Dble Fascia Trk - 12'
For by-passing doors 3/4" - 150#lbs.
Dimensions:
2-3/8" (fascia) 1-23/32" x 15/16"
Material: extruded anodized aluminum



ORDER NUMBERS
H7004-12

73-134 SERIES

7007 Dble Fascia Trk - 12'
For by-passing doors 1-3/4" - 150lbs.
Dimensions:
2-1/2" (fascia) 3-11/32" x 15/16"
Material: extruded anodized aluminum



ORDER NUMBER
H7007-12

Doors

Kitchen
Accessories

Hinges

Drawer
Slides

Plywood
Melamine

Veneer
Edgebanding

Laminate

Solid
Surface

Closets

Furniture
Hardware

Pulls
&
Knobs

Lighting

Grommets

Locks,
Lock
Systems

Molding,
Carvings

Tools

Adhesives
Solvents
Abrasives

Chemicals
Staples
Screws

7000 Ball Bearing Carrier
Use with: 7034 Apron (31-854)
7038 Apron (31-856)
7222 Top Plate (31-852)
Material: steel zinc plated / nylon wheels



ORDER NUMBER
H7000

6350 Dual Wheel Carrier
3/16" offset
Single wheel, adjustable, side mount
Material: steel zinc plated / nylon wheel



ORDER NUMBER
H6350

7000 Ball Bearing Carrier
Use with: 7034 Apron (31-854)
7038 Apron (31-856)
7222 Top Plate (31-852)
Material: steel zinc plated / nylon wheels



ORDER NUMBER
H7000

7000 Ball Bearing Carrier
Use with: 7034 Apron (31-854)
7038 Apron (31-856)
7222 Top Plate (31-852)
Material: steel zinc plated / nylon wheels



ORDER NUMBER
H7000

7222 Top Plate



ORDER NUMBER
H7222

6360 Single Wheel Carrier
1/2" offset
Single wheel, adjustable, side mount
Material: steel zinc plated / nylon wheel



ORDER NUMBER
H6360

7034 Apron
Use with: 7000 Carrier or 3/4" Offset
Side mount / adjustable
Material: steel zinc plated



ORDER NUMBER
H7034

7034 Apron
Use with: 7000 Carrier or 3/4" Offset
Side mount / adjustable
Material: steel zinc plated

ORDER NUMBER
H7034

7138 Apron
Use with: 7000 Carrier or 1-1/8" Offset
Side mount / adjustable
Material: steel zinc plated



ORDER NUMBER
H7138



117 Floor Guide
Non-adjustable for 1-3/8" doors
Dimensions: 3-7/8" x 2-1/8"
Material: steel zinc plated / nylon



ORDER NUMBER
H117

114 Floor Guide
Adjustable for 3/4" to 1-3/8" doors
Dimensions: 3" x 1-3/8"
Material: steel zinc plated / nylon



ORDER NUMBER
H114

116 Floor Guide
Non-adjustable for 3/4" doors
Dimensions: 2-5/8" x 2-1/2"
Material: nylon



ORDER NUMBER
H116

118 Floor Guide
Non-adjustable for 1-3/4" doors
Dimensions: 4-5/8" x 2-1/8"
Material: steel zinc plated / nylon



ORDER NUMBER
H118

Bi-Fold Door Hardware



Door Hardware

Kitchens

Doors

Kitchen Accessories

Hinges

Drawer Slides

Plywood Melamine

Veneer Edgebanding

Laminate

Solid Surface

Closets

Furniture Hardware

Pulls & Knobs

Lighting

Grommets

Locks, Lock Systems

Molding, Carvings

Tools

Adhesives Solvents Abrasives

Chemicals Staples Screws

73-138 SERIES

7005 Dble Fascia Trk - 12'

For by-passing doors 1-3/8" - 150lbs.
Dimensions:
2-1/2" (fascia) 1-23/32" x 15/16"
Material: extruded anodized aluminum



ORDER NUMBER
H7005-12

7000 Ball Bearing Carrier

Use with: 7034 Apron (31-854)
7038 Apron (31-856)
7222 Top Plate (31-852)
Material: steel zinc plated / nylon wheels



ORDER NUMBER
H7000

7138 Apron

Use with: 7000 Carrier or 1-1/8" Offset
Side mount / adjustable
Material: steel zinc plated



ORDER NUMBER
H7138

117 Floor Guide

Non-adjustable for 1-3/8" doors
Dimensions: 3-7/8" x 2-1/8"
Material: steel zinc plated / nylon



ORDER NUMBER
H117

1230 SERIES

1201 Single Track - 12'

For single by-parting & by-passing
1" doors - 175lbs.
Dimensions: 1-19/64" x 1/7/8"
Material: steel zinc plated / rubber



ORDER NUMBER
H1201-12

1205 Carrier

For all 1260 installations
Dimensions:
Carrier 1-13/16" x 2" x 1-1/8"
Material: steel zinc plated / nylon wheels



ORDER NUMBER
H1205

1255 Top Pivot Clamp Assembly

Clamped to track close to jamb
Dimensions: 1-1/8" x 2"
Material: aluminum w/ rubber bumpers



ORDER NUMBER
H1255

1269 Top Pivot Post Assembly

Mounted to top of door jamb side.
Inserts into 1255 Top Pivot Clamp
Assem
Dimensions: 1" x 3-1/2" x 1-3/4"
Material: steel zinc plated



ORDER NUMBER
H1269

1224 Bottom Pivot Pin Plate

Attaches to bottom of door next to jamb
and receives 1223 Floor Pivot Bolt assembly
Dimensions: 1" x 3-1/2" x 3/16"
Material: steel zinc plated



ORDER NUMBER
H1224

1223 Floor Pivot Bolt Assembly

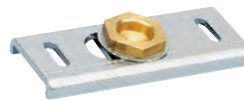
Screws into Bottom Pivot Pin Plate
Dimensions: 3/8" dia. x 2-5/16"
Material: steel zinc plated



ORDER NUMBER
H1223

1234 Bottom Pivot Plate Assembly

Floor pivot bolt head mounted to the
bottom of the door engages the bushing
in the Bottom Pivot Plate Assembly
Dimensions: 1-1/2" x 4" x 1/2"
Material: steel zinc plated



ORDER NUMBER
H1234

1260 SERIES

1201 Single Track - 12'

For single by-parting & by-passing
1" doors - 325 lb.
Dimensions: 1-19/64" x 1/7/8"
Material: steel zinc plated / rubber



ORDER NUMBER
H1201-12

1205 Carrier

For all 1260 installations
Dimensions:
Carrier 1-13/16" x 2" x 1-1/8"
Material: steel zinc plated / nylon wheels



ORDER NUMBER
H1205

1213 Bumper Stop

Installs on track.
Material: Aluminum w/ rubber bumpers



ORDER NUMBER
H1213

7015 Floor Guide

Surface mounted "T"
Dimensions: 3/4" x 7/8" x 3"
Material: zamac



ORDER NUMBER
H7015

Bi-Fold Door Hardware



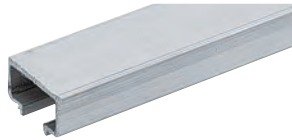
Door Hardware

1500 SERIES

1600 SERIES

1501 Single Track - 12'

For folding doors, 2 doors one way or 4 doors bi-parting - 3/4" doors 25#
Dimensions: 1-19/16" x 15/16"
Material: extruded aluminum



ORDER NUMBER
H1501-12

2669 Bushing

Inserted into top & bottom edges of door next to jamb. Receives 2523 top pivot and 2664 bottom pivot.
Material: steel zinc plated



ORDER NUMBER
H2669

1605 Single Track - 12'

For folding doors, 2 doors one way or 4 doors bi-parting. 1" doors 50#
Dimensions: 1-19/16" x 15/16"
Material: extruded aluminum



ORDER NUMBER
H1605-12

2669 Bushing

Inserted into top & bottom edges of door next to jamb. Receives 2523 top pivot and 2664 bottom pivot.
Material: steel zinc plated



ORDER NUMBER
H2669

1532 Swivel Carrier

Comes with 1183 Top Plate surface mounted "T"
Dimensions: Carrier 1-1/8" x 3/4" x 5/8"
Bolt 1-1/2" x 1/4"
Material: steel zinc plated / nylon wheels



ORDER NUMBER
H1532

1516 Jamb Bracket

Mounts at bottom of opening on the jamb side. Accepts head of bottom pivot in door
Dimensions: 3" x 1-1/4" x 1/16"
Material: steel zinc plated



ORDER NUMBER
H1516

1656 Swivel Carrier

For all 1600 installations
Comes with 1283 Top Plate
Dimensions: Carrier 1-3/4" x 3/4" x 5/8"
Bolt 1-1/4" x 3/8"
Material: steel zinc plated / nylon wheels



ORDER NUMBER
H1656

1516 Jamb Bracket

Mounts at bottom of opening on the jamb side. Accepts head of bottom pivot in door
Dimensions: 3" x 1-1/4" x 1/16"
Material: steel zinc plated



ORDER NUMBER
H1516

1535 Track Bushing

Adjustable, inserts into track close to jamb. Receives head of 2523 top pivot.
Material: steel



ORDER NUMBER
H1535

2664 Bottom Pivot

Shank screwed into 2669 bushing at bottom of door. Head engages 1516 jamb bracket.
Material: steel zinc plated



ORDER NUMBER
H2664

1655 Track Bushing

Adjustable, inserts into track close to jamb. Receives head of 2523 top pivot.
Material: steel



ORDER NUMBER
H1655

2664 Bottom Pivot

Shank screwed into 2669 bushing at bottom of door. Head engages 1516 jamb bracket.
Material: steel zinc plated



ORDER NUMBER
H2664

2523 Top Pivot

Shank is screwed into 2669 bushing at bottom of door. Head engages 1535 adjustable track bushing.
Material: steel zinc plated



ORDER NUMBER
H2523

2646 Hinge

Dimensions: 2-9/16" x 1-5/8"
Material: brass



ORDER NUMBER
H2646

2523 Top Pivot

Shank is screwed into 2669 bushing at bottom of door. Head engages 1535 adjustable track bushing.
Material: steel zinc plated



ORDER NUMBER
H2523

2646 Hinge

Dimensions: 2-9/16" x 1-5/8"
Material: brass



ORDER NUMBER
H2646

Kitchens

Doors

Kitchen Accessories

Hinges

Drawer Slides

Plywood Melamine

Veneer Edgebanding

Laminate

Solid Surface

Closets

Furniture Hardware

Pulls & Knobs

Lighting

Grommets

Locks, Lock Systems

Molding, Carvings

Tools

Adhesives Solvents Abrasives

Chemicals Staples Screws

Bi-Fold Door Hardware



Door Hardware

Kitchens

6034 SERIES

6064 SERIES

SHEAVES & TRACK

Doors

6004 Double Track - 12'

For single & by-parting
3/4" & 1-3/8" doors - 50lbs.
Dimensions: 1-13/16" x 15/16"
Material: extruded anodized aluminum



ORDER NUMBER
H6004-12

6004 Double Track - 12'

For single & by-parting
3/4" & 1-3/8" doors - 75lbs.
Dimensions: 1-13/16" x 15/16"
Material: extruded anodized aluminum



ORDER NUMBER
H6004-12

#20 Sheave

3/4" min. door thickness / 50 lb. door
Material: brass w/ nylon wheel



ORDER NUMBER
H20S

#20 Sheave Track - 12'

3/4" minimum door thickness



ORDER NUMBERS
H20T-12' Stainless Steel

H20T-12' Brass

6320 Single Wheel Carrier

3/16" offset

Single wheel, adjustable, side mount
Material: steel zinc plated / nylon wheel



ORDER NUMBER
H6320

6350 Dual Wheel Carrier

3/16" offset

Single wheel, adjustable, side mount
Material: steel zinc plated / nylon wheel



ORDER NUMBER
H6350

#18 Sheave

1" min. door thickness / 125 lb. door
Material: zamac w/ nylon wheel



ORDER NUMBER
H18S

#18 Sheave Track - 12'

1-1/4" minimum door thickness



ORDER NUMBERS
H18T-12' Stainless Steel

H18T-12' Brass

6330 Single Wheel Carrier

1/2" offset

Single wheel, adjustable, side mount
Material: steel zinc plated / nylon wheel



ORDER NUMBER
H6330

6360 Single Wheel Carrier

1/2" offset

Single wheel, adjustable, side mount
Material: steel zinc plated / nylon wheel



ORDER NUMBER
H6360

#14 Sheave

1-1/4" min. door thickness / 200 lb. door
Material: zamac w/ nylon wheel



ORDER NUMBER
H14S

#14 Sheave Track - 12'

1-1/4" minimum door thickness



ORDER NUMBER
H14T-12' Bronze

114 Floor Guide

Adjustable for 3/4" to 1-3/8" doors
Dimensions: 3" x 1-3/8"
Material: steel zinc plated / nylon



ORDER NUMBER
H114

114 Floor Guide

Adjustable for 3/4" to 1-3/8" doors
Dimensions: 3" x 1-3/8"
Material: steel zinc plated / nylon



ORDER NUMBER
H114

1018 Angle Stop

For by-passing doors
Attaches to rear of front door
Material: steel zinc plated / rubber



ORDER NUMBER
H1018

2014 Floor Guide - 12'

For rear door of 3 door installation
Dimensions: 7/8" x 1/2" x 3/16"
Material: aluminum



ORDER NUMBER
H2014-12

Kitchens

Kitchen
Accessories

Hinges

Drawer
Slides

Plywood
Melamine

Veneer
Edgebanding

Laminate

Solid
Surface

Closets

Furniture
Hardware

Pulls
&
Knobs

Lighting

Grommets

Locks,
Lock
Systems

Molding,
Carvings

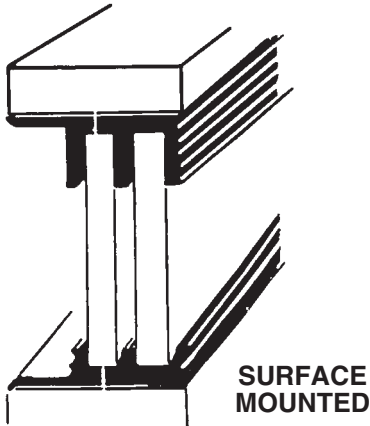
Tools

Adhesives
Solvents
Abrasives

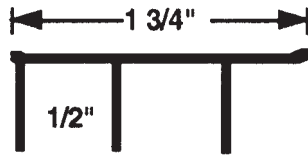
Chemicals
Staples
Screws

Bi-Fold Door Hardware

Aluminum Track for By-Passing Panels

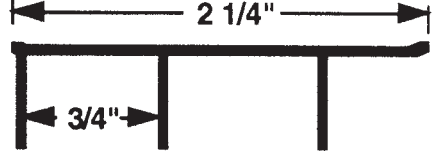


Length: 72"
 Top Track Depth: 1/2"
 Bottom Track Depth: 1/4"
 Top & Bottom Track Width: 1 3/4"



ORDER NUMBER
 For 1/2" doors..... **31-168**

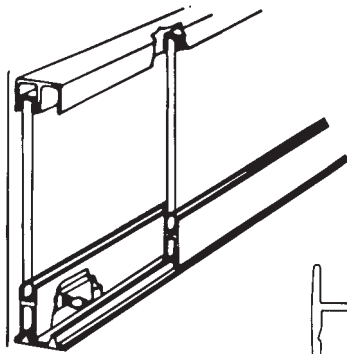
Length: 72"
 Top Track Depth: 1/2"
 Bottom Track Depth: 1/4"
 Top & Bottom Track Width: 2 1/4"



ORDER NUMBER
 For 3/4" doors..... **31-166**

Aluminum Sliding Glass Door Hardware

FOR 1/4" GLASS



ORDER NUMBER
31-160

Set Includes:

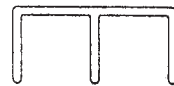
- 12' Upper & Lower Track
- 12' Shoe
- 8 Rollers (31-162)
- 8 Vinyl Guides



Shoe



Vinyl Guides



Upper Track
 1" O.L. Width.



Lower Track
 1 1/4" O.L. Width.



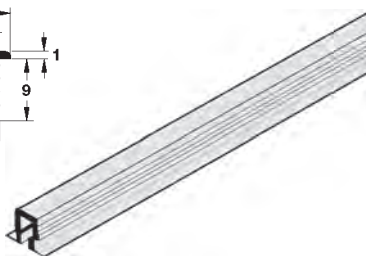
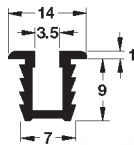
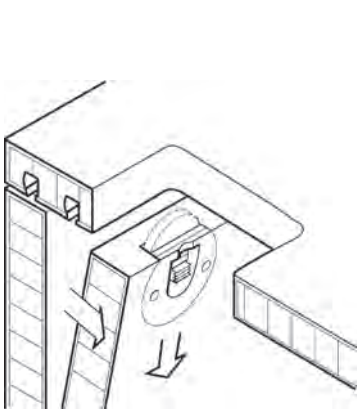
Roller

INDIVIDUAL ROLLERS



Nylon Roller
 8 included in set
Order Number
31-162

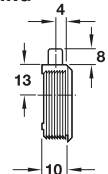
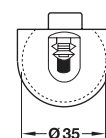
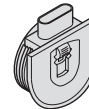
Recessed Sliding Door System



RECESSED TOP & BOTTOM TRACK
 9.75 FEET LONG

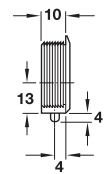
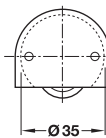
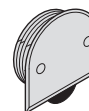
ORDER NUMBERS
 White..... **31-210**
 Brown **31-208**

SPRING LOADED - 35 BORING TOP GUIDE



ORDER NUMBER..... 31-204

SPRING LOADED - 35 BORING BOTTOM ROLLER



ORDER NUMBER..... 31-206

Kitchens

Doors

Kitchen Accessories

Hinges

Drawer Slides

Plywood Melamine

Veneer Edgebanding

Laminate

Solid Surface

Closets

Furniture Hardware

Pulls & Knobs

Lighting

Grommets

Locks, Lock Systems

Molding, Carvings

Tools

Adhesives Solvents Abrasives

Chemicals Staples Screws

Bi-Fold Door Hardware

Solid Brass Rail Fittings

MAKE IT YOURSELF!
Functional SOLID BRASS
Bar Rail



- Kitchens
- Doors
- Kitchen Accessories
- Hinges
- Drawer Slides
- Plywood Melamine
- Veneer Edgebanding
- Laminate
- Solid Surface
- Closets

Furniture Hardware

- Pulls & Knobs
- Lighting
- Grommets
- Locks, Lock Systems
- Molding, Carvings
- Tools
- Adhesives Solvents Abrasives
- Chemicals Staples Screws

ORDER NUMBER	DESCRIPTION
43-300	1 Screw pack for brass fittings
43-330	Drill, tap and wrench set
43-336	Tubing - Polished solid brass 1-1/2" x 4 feet
43-338	Tubing - Polished solid brass 1-1/2" x 6 feet

Other solid brass projects you can make yourself:

Tables • Room Dividers
Headboards • Ballet Bars
Towel Bars • and more...

ORDER NUMBER	DESCRIPTION
43-302	Combination bracket (1-1/2" PB)
43-304	Bar bracket (1-1/2" PB)
43-306	End caps - 2 per card (1-1/2" PB)
43-308	End post (1-1/2" PB)
43-310	Center post (1-1/2" PB)S
43-312	Hand-rail bracket (1-1/2" PB)
43-314	Ball tee (1-1/2" PB)
43-316	Ball L (1-1/2" PB)
43-318	Flange (1-1/2" PB)
43-320	Scroll end (1-1/2" PB)
43-322	Ball head (1-1/2" PB)
43-324	Connector sleeve (1-1/2" PB)
43-326	Side outlet L (1-1/2" PB)
43-328	90° flush L (1-1/2" PB)
43-342	135° flush elbow (1-1/2" PB)

