

# LOCKS & LOCK SYSTEMS



## CAM Lock

Kitchens

Doors

Kitchen Accessories

Hinges

Drawer Slides

Plywood Melamine

Veneer Edgebanding

Laminate

Solid Surface

Closets

Furniture Hardware

Pulls & Knobs

Lighting

Grommets

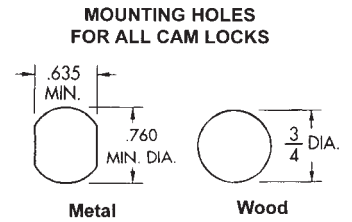
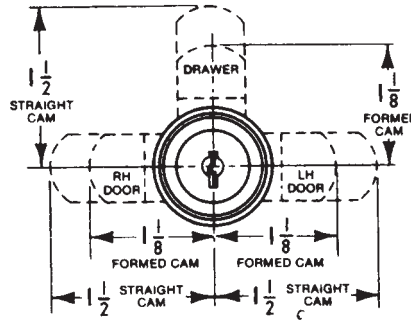
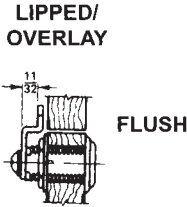
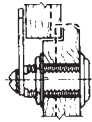
Locks, Lock Systems

Molding, Carvings

Tools

Adhesives Solvents Abrasives

Chemicals Staples Screws



### Application

For drawers, R.H. or L.H. doors with either lipped or flush construction

### Operation

90° Cam turn – key removable in both locked and unlocked positions

### Keying

Will key together with all other C8000 and C8700 series cabinet locks shown in this catalog. Available keyed alike (6 key codes) except C8053 (polished brass) which has only 3 codes available. Keyed different (200 changes) and master keyed different E41A (200 changes)

### Packaging

Supplied with two keys, trim washer, spur washer for wood and two cams to accommodate construction needs.

**Master Keyed x Keyed Different**  
8053 Nickel **39-180**

**MASTER KEY** Order Number **39-182**

### Order Information

All locks flush or lipped mounting, 25 per case.

National Part No.	Cylinder Length	Max Material Thickness	Finish	Keyed Alike Order No.	Key No. for Keyed Alike	Keyed Different
8054-14A	15/16"	5/8"	Nickel	<b>39-102</b>	413A	<b>39-104</b>
8053-3	1-3/16"	7/8"	Pol Brass	<b>39-106</b>	413A	<b>39-108</b>
8053-14A	1-3/16"	7/8"	Nickel	<b>39-110</b>	413A	<b>39-112</b>
8053-14A	1-3/16"	7/8"	Nickel	<b>39-200</b>	415A	NS
8053-14A	1-3/16"	7/8"	Nickel	<b>39-202</b>	390A	NS
8053-14A	1-3/16"	7/8"	Nickel	<b>39-204</b>	346A	NS
8053-14A	1-3/16"	7/8"	Nickel	<b>39-206</b>	420A	NS
8053-14A	1-3/16"	7/8"	Nickel	<b>39-208</b>	642A	NS
8055-14A	1-7/16"	1-1/8"	Nickel	<b>39-270</b>	415A	NS
8055-14A	1-7/16"	1-1/8"	Nickel	<b>39-272</b>	390A	NS
8055-14A	1-7/16"	1-1/8"	Nickel	<b>39-274</b>	346A	NS
8055-14A	1-7/16"	1-1/8"	Nickel	<b>39-276</b>	420A	NS
8055-14A	1-7/16"	1-1/8"	Nickel	<b>39-278</b>	642A	NS
8055-14A	1-7/16"	7/8"	Nickel	<b>39-118</b>	413A	<b>39-120</b>
8060-14A	1-3/4"	1-7/16"	Nickel	<b>39-280</b>	413A	<b>39-282</b>

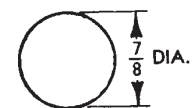
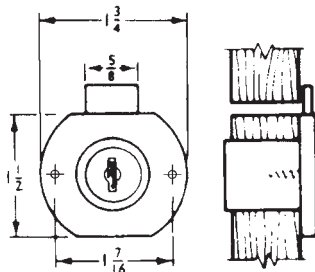
ALL LOCKS ON THIS PAGE CAN BE MASTER KEYED SPECIAL ORDER

## Drawer Lock



### Operation

Key removable in both locked and unlocked positions



MOUNTING HOLE FOR ALL LOCKS

### Keying

Will key together with all other C8000 and C8700 series cabinet locks shown in this catalog. Available keyed alike (6 key codes) except C8053 (polished brass) which has only 3 codes available. Keyed different (200 changes) and master keyed different E41A (200 changes)

### Packaging

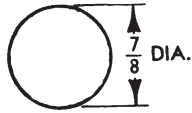
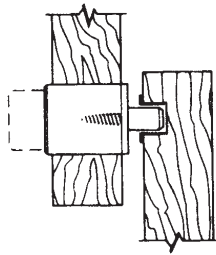
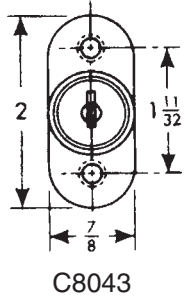
Supplied with two keys and mounting screws

### Order Information

Locks use key 413A and are packaged 25/case.

National Part No.	Cylinder Length	Dead Bolt Travel	Finish	Keyed Alike Order No.	Keyed Different
8703-3	15/16"	11/32"	Pol Brass	<b>39-122</b>	<b>39-124</b>
8703-14A	15/16"	11/32"	Nickel	<b>39-126</b>	<b>39-128</b>
8705-3	1-3/16"	11/32"	Pol Brass	<b>39-134</b>	NS
8705-14A	1-3/16"	11/32"	Nickel	<b>39-136</b>	<b>39-138</b>

# LOCKS & LOCK SYSTEMS



MOUNTING HOLE

### ORDER NUMBERS

- Bright Brass - KA ..... **39-254**
- Bright Brass - KD ..... **39-256**
- Dull Chrome - KA ..... **39-250**
- Dull Chrome - KD ..... **39-252**

### Features

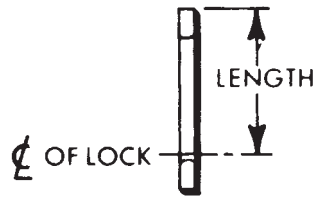
- Push lock for wood sliding doors up to 1" thick
- Pushing in cylinder locks doors
- Key removable in both locked and unlocked positions

KA = Key number 413A

## Push Lock



- Kitchens
- Doors
- Kitchen Accessories
- Hinges
- Drawer Slides



### ORDER NUMBER

C7005 3" Straight Cam ..... **39-172**



### ORDER NUMBER

Nickel ..... **39-194**

## Strike Plates

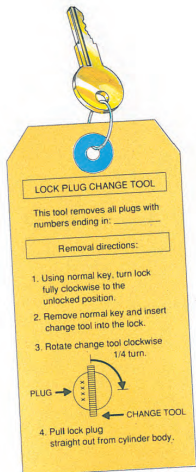


- Plywood Melamine
- Veneer Edgbanding
- Laminate
- Solid Surface
- Closets
- Furniture Hardware
- Pulls & Knobs



## Timberline Accessories

### ZChange Tool



Required to remove lock plugs in cylinder bodies

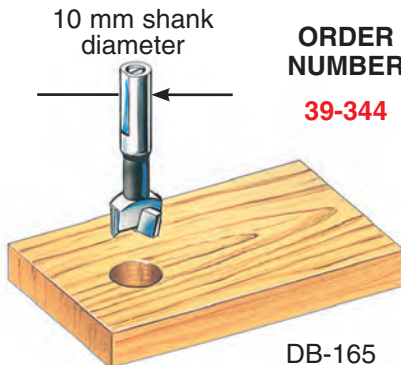
### ORDER NUMBER

**39-340**

KY-500

### 16.5mm Drill Bit

Drills the proper diameter hole for most cylinder bodies



### ORDER NUMBER

**39-344**

DB-165

### Spacer for 5/8" Panel

Allows CAM lock cylinder bodies to be used in 5/8" thick panels

### ORDER NUMBER

**39-350**



SP-300

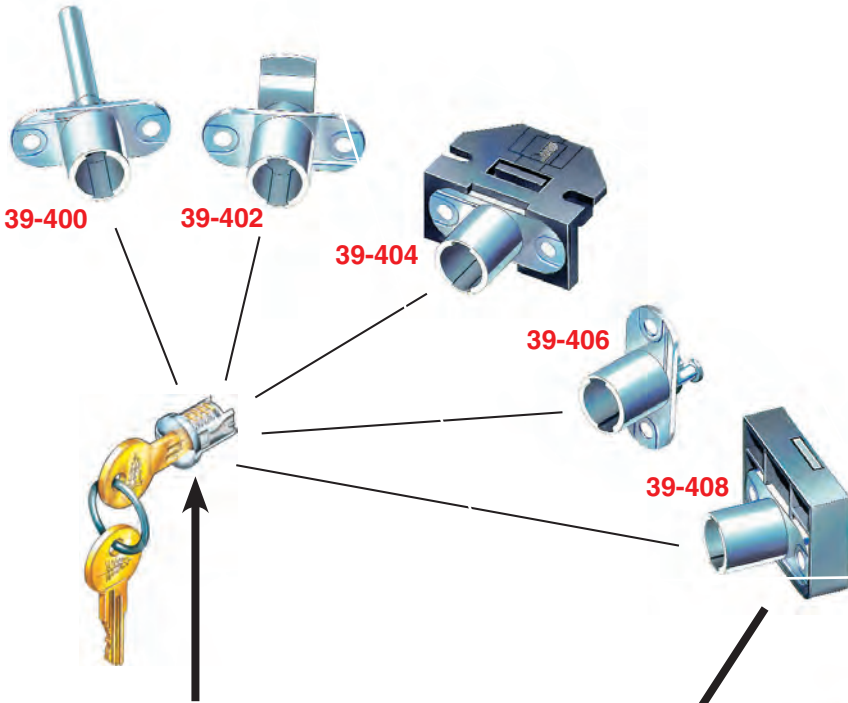
- Lighting
- Grommets

- Locks, Lock Systems
- Molding, Carvings
- Tools
- Adhesives Solvents Abrasives
- Chemicals Staples Screws

# LOCKS & LOCK SYSTEMS

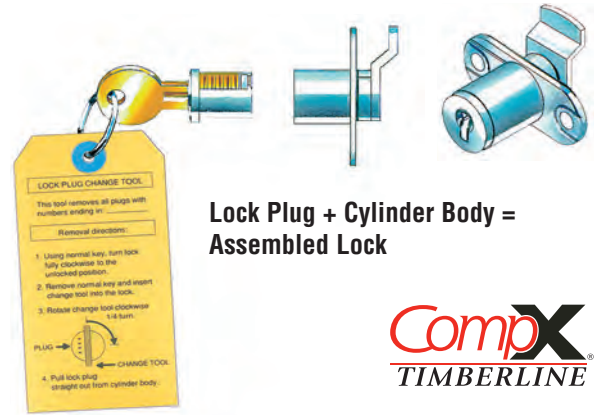
## Timberline Removable Lock Plug System

- Kitchens
- Doors
- Kitchen Accessories
- Hinges
- Drawer Slides
- Plywood Melamine
- Veneer Edgebanding
- Laminate
- Solid Surface
- Closets
- Furniture Hardware
- Pulls & Knobs
- Lighting
- Grommets



**ANY LOCK PLUG SNAPS INTO CYLINDER BODY**

LOCK PLUGS	
	39-300 – LP100 Nickel KA100T
	39-302 – LP500 Brass KA100T
	39-304 – LP700 Satin Nickel KA100T
	39-320 – LP100 Nickel KD

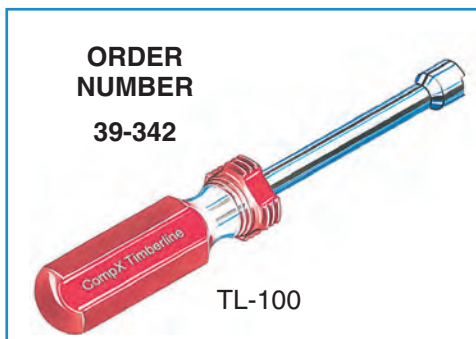


**Lock Plug + Cylinder Body = Assembled Lock**



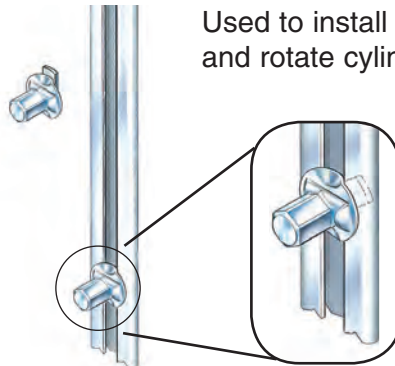
## Adjustable Pin Installation Tool

- Locks, Lock Systems
- Molding, Carvings
- Tools
- Adhesives Solvents Abrasives
- Chemicals Staples Screws



**ORDER NUMBER**  
**39-342**

TL-100



Used to install adjustable pins and rotate cylinder bodies

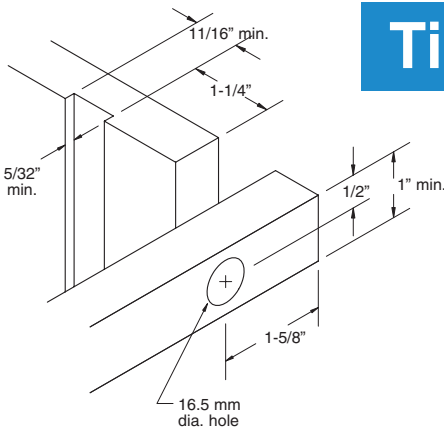
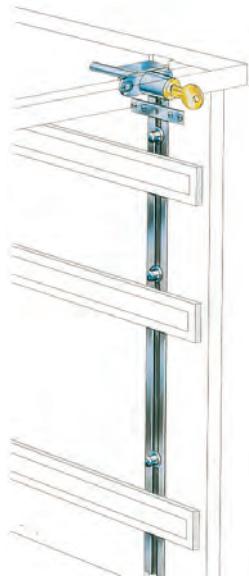


Most of the merchandise in this catalog is available in all Hardware Imagination-Tech locations. If your selection isn't available at the store nearest you, we'll gladly order it from one of the other stores or through special order.

# LOCKS & LOCK SYSTEMS



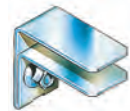
## Timberline System 100



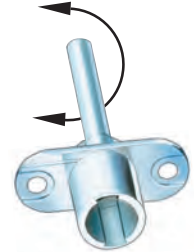
Typical Installation Details

## Timberline System 100

**ORDER NUMBER**  
Complete Set  
**39-328\***



Type 100 lockbar clip



Type 100 cylinder body



Lockbar 24\"/>



Lockbar retainer



Adjustable Pin



Drawer locking clip

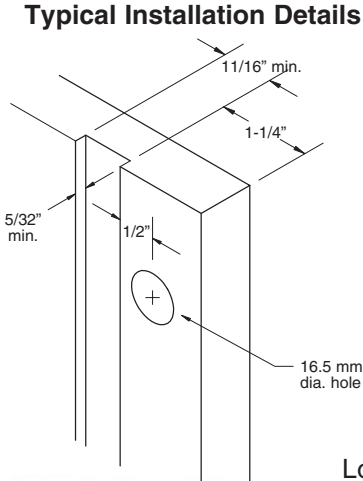
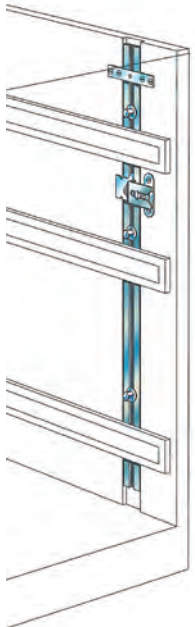
\* Sold in sets ONLY

- Kitchens
- Doors
- Kitchen Accessories
- Hinges
- Drawer Slides
- Plywood Melamine
- Veneer Edgbanding
- Laminate
- Solid Surface
- Closets

**LOCK PLUGS**

- 39-300** - LP100 Nickel KA100T
- 39-302** - LP500 Brass KA100T
- 39-304** - LP700 Satin Nickel KA100T
- 39-320** - LP100 Nickel KD

## Timberline System 150



Typical Installation Details

**ORDER NUMBER**  
Complete Set  
**39-330\***

### Features

- Full 1/2" lockbar throw
- Fits within 1/2" drawer slide clearance
- Minimal machining required
  - hole for lock
  - groove for lockbar



Type 150 lockbar clip



Type 150 cylinder body



Lockbar 24\"/>



Lockbar retainer



Adjustable Pin



Drawer locking clip

\* Sold in sets ONLY

- Furniture Hardware
- Pulls & Knobs
- Lighting
- Grommets
- Locks, Lock Systems
- Molding, Carvings
- Tools
- Adhesives Solvents Abrasives
- Chemicals Staples Screws



## Disc Tumbler 3 Drawer Gang Lock

Kitchens

Doors

Kitchen Accessories

Hinges

Drawer Slides

Plywood Melamine

Veneer Edgebanding

Laminate

Solid Surface

Closets

Furniture Hardware

Pulls & Knobs

Lighting

Grommets

Locks, Lock Systems

Molding, Carvings

Tools

Adhesives Solvents Abrasives

Chemicals Staples Screws

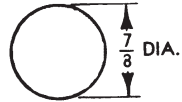


Cylinder is located near top of pedestal



Saddle reverses for mortise application

Additional 7/8" x 1/8" deep dado for bar required on inside of panel.



MOUNTING HOLE

### Application

For locking drawers in desk pedestals and other multiple drawer applications. Requires 7/8" dia. hole for cylinder and dado for bar, measuring 7/8" x 1/8" deep on inside of panel.

### Operation

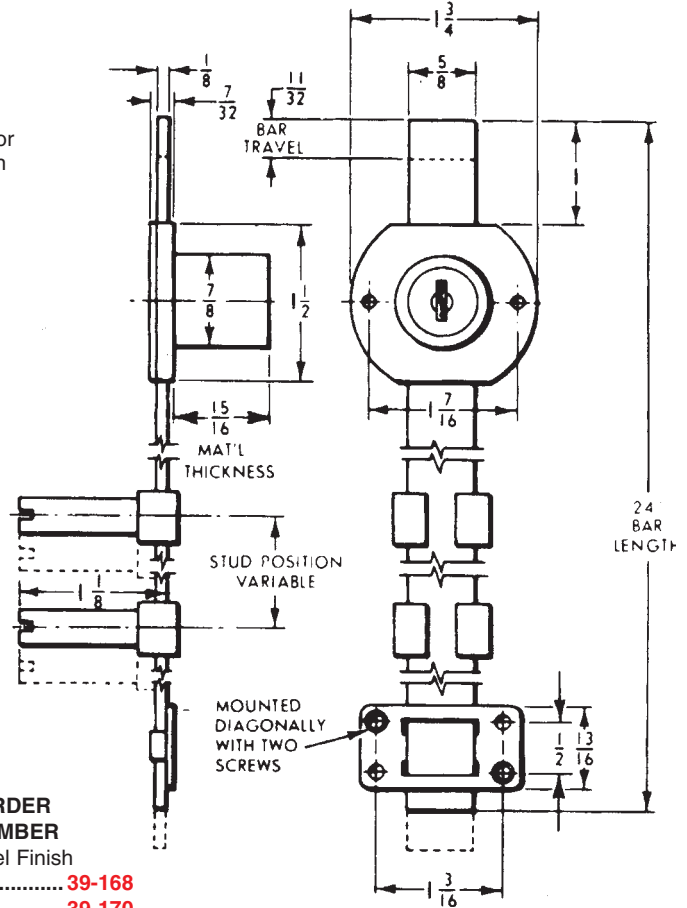
Key removable in both locked and unlocked positions. Turning the key locks all drawers simultaneously (drawers must be in closed position). Bar moves studs into notch in drawer or slide, thus preventing drawer movement.

### Keying

Will key together with all other disc tumbler locks using D6785 key blank. See table for available keying. Masterkeying to E41A

### Packaging

Supplied with two keys, three locking studs, three stud slides, saddle and mounting screws.



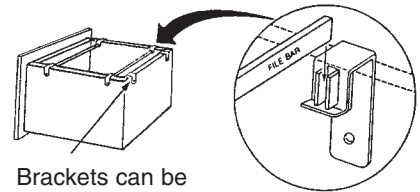
ORDER NUMBER  
Nickel Finish

KA-413A..... 39-168  
KD ..... 39-170

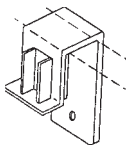
## Metal Hanging File Brackets

### Description

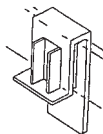
- Reduces manufacturing costs – quick to install
- Flexible – can easily be moved to accommodate legal or letter size files
- Strong – 16 gauge steel will hold the heaviest files
- Attractive – zinc plated finish



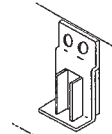
Brackets can be used for side-to-side or front-to-back filing.



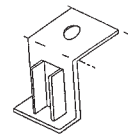
Clip  
Fits 1/2" material  
25-410



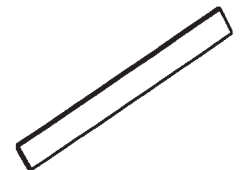
Bar Mount  
Fits 1/8" material  
25-414



Face Mount  
25-416



Top Mount  
25-418



Bar 1/2" X 1/8" X 96"  
25-412

# LOCKS & LOCK SYSTEMS

## Security Locks

### DualAcess by CompX Security Products

- an innovative combination cam lock with key override.

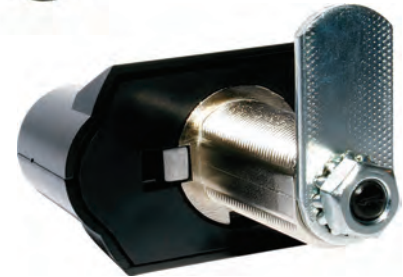
DualAcess can be retrofit for existing wood or metal applications to give keyless access and to eliminate keys. The lock can be mounted vertically or horizontally on flush, overlay or lipped/overlay applications. Attach the cam for 90° latching in any direction, based on individual application needs.

To change the combination, the current combination and a valid key is needed. 10,000 possible combinations - any four digit number - are available.

DualAcess by CompX can be operated using either a combination or a key. Once unlocked, rotate the housing 90° clockwise to unlatch.



\*Special Order\*

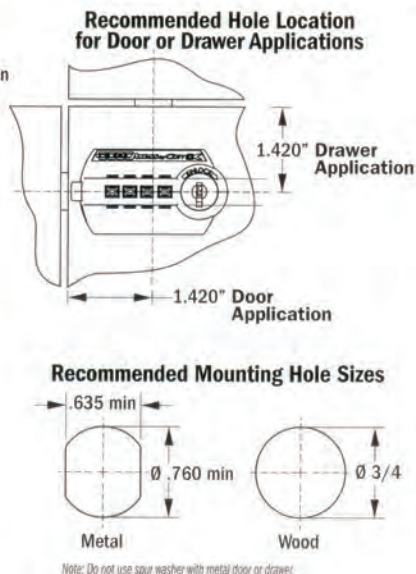
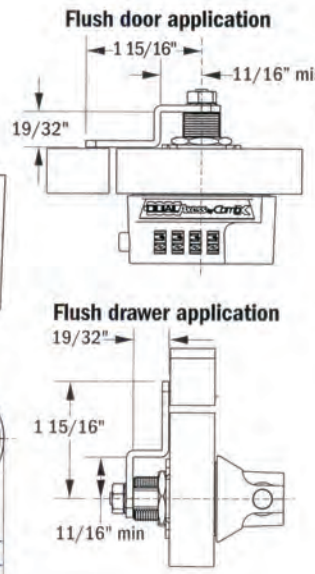
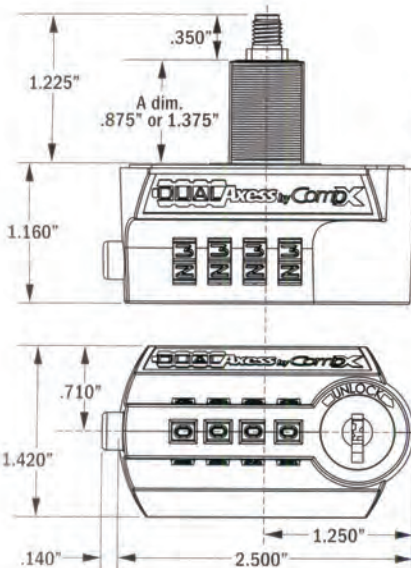


### Unlock using combination:

- .. Factory set combination is 0-0-0-0.
- .. Turn wheels until correct combination appears in the combination windows.
- .. Press button, rotate housing to unlatch.
- .. Scramble wheels to lock.

### Unlock using key:

- .. Insert key into lock plug; rotate key 90° clockwise.
- .. Rotate housing to unlatch.
- .. Important:  
Rotate key 90° counterclockwise to lock.



- Kitchens
- Doors
- Kitchen Accessories
- Hinges
- Drawer Slides
- Plywood Melamine
- Veneer Edgebanding
- Laminate
- Solid Surface
- Closets
- Furniture Hardware
- Pulls & Knobs
- Lighting

- Grommets
- Locks, Lock Systems
- Molding, Carvings
- Tools
- Adhesives Solvents Abrasives
- Chemicals Staples Screws

# LOCKS & LOCK SYSTEMS

## Security Locks

# CompX eLock®

Kitchens

**WIRELESS or ETHERNET READY**

Doors

### Access Control Features:

- Easy Installation On Existing Or New Cabinets
- 3,000 User/Supervisor Codes
- Four Modes Of Access: Keypad, Proximity Card\* Hid Or Iclass Hid, Magstripe Card\* (Track 2) Use Existing Identification Cards
- Motor-Driven Latching Mechanism Provides The Convenience Of Automatic Relocking
- Elock Is Capable Of Operating Two Latches Or Doors
- Operates On 6 Aa Alkaline Batteries Or Dedicated Power Supply
- Low Battery Indicator

Kitchen Accessories

Hinges

Drawer Slides

Plywood Melamine

Veneer Edgebanding

Laminate

Solid Surface

Closets

Furniture Hardware

Pulls & Knobs

Lighting

Grommets

Locks, Lock Systems

Molding, Carvings

Tools

Adhesives Solvents Abrasives

Chemicals Staples Screws



\*Special Order\*



- "Jump Start" 9-Volt Battery Power Port Allows The User, With A Valid Credential, To Access The CompX Elock® When The Batteries Are Exhausted
- Programming Can Be Done Manually On User-Friendly LCD Blue Backlit Screen Or Through Lockview® Software
- Compatible With 12-Volt Electric Door Strikes To Control Access On Interior Doors
- Optional Door Switch Provides Instant Notification Of Unauthorized Entry Or Door Ajar Alerts

### Network features:

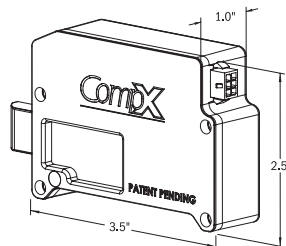
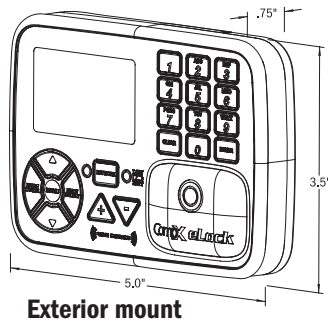
- Utilizes 802.11g wireless protocol or Ethernet communication on existing networks
- Enables two-way communication via common security encryption methods: WEP 64-key, WEP 128-key, WPA-PSK (TKIP), WPA2-PSK (AES) and other enterprise-class wireless security

### Lockview® Software Features:

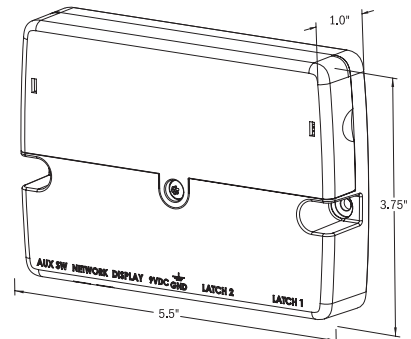
- Provides A Comprehensive Audit Trail Of The Last 15,000 Access Attempts; Including Date, Time And User Name
- Escalating Notification System Sends Alerts Via Email; Optional Short Message Service Provides Text Message, Voice Messaging Or Fax Alerts
- Complies With Joint Commission Standards And Is 21 Cfr Part 11 Compliant
- Compliance Dashboard Provides At-A-Glance Status Of All Elocks On The Network
- Lockview Enables Updates Via The Network To Any Elock On The System. Updates Can Include:
  - User Changes (Add / Delete / Modify Credentials)
  - Elock Changes (Add / Delete / Modify Elocks)
  - Access Rights Changes

Minimum System Requirements

Mssql Server 2005 Or Mssql Server Express, 2gb Memory, 2gb Free Space On Hard Disk, And Windows Xp, Vista, Or 7. Other Configurations Are Acceptable; Please Consult Factory For Detailed Information.

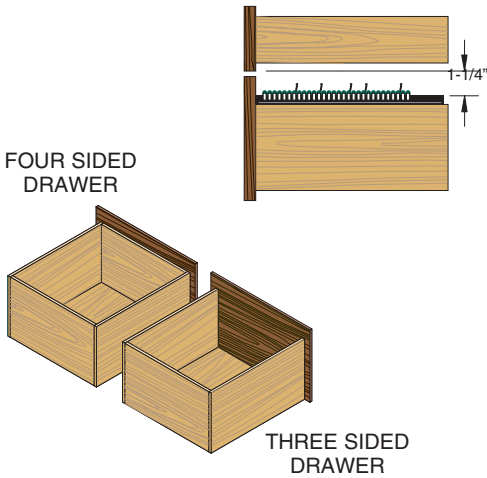


**Interior mount**

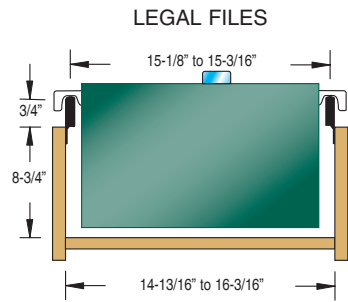
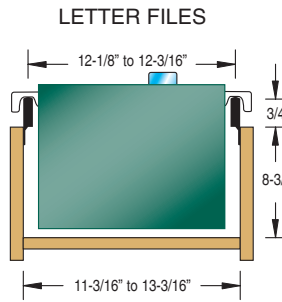


# LOCKS & LOCK SYSTEMS

## File Frame Facts



RECOMMENDED MINIMUM FILE TAB CLEARANCE

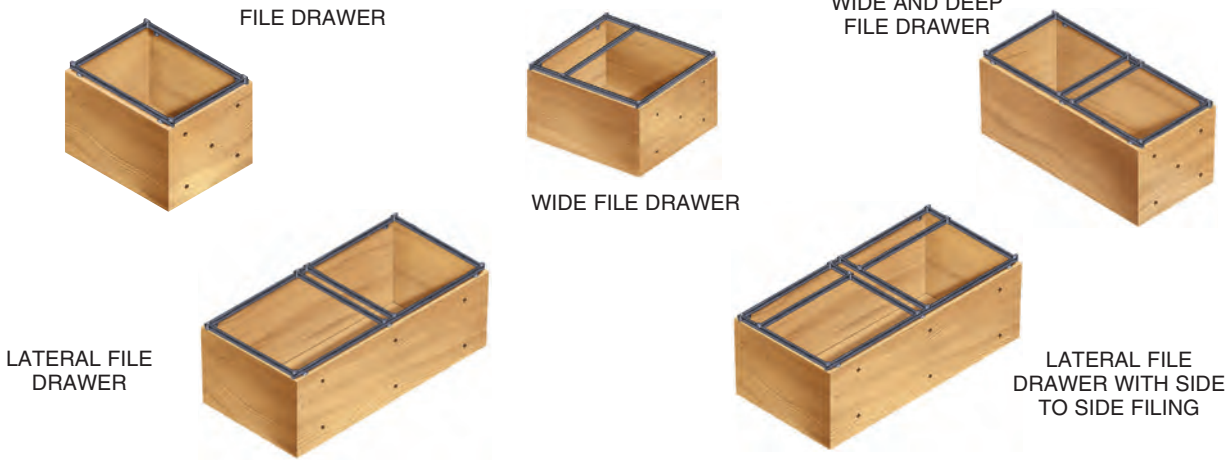


PROFILE HEIGHT 3/4"

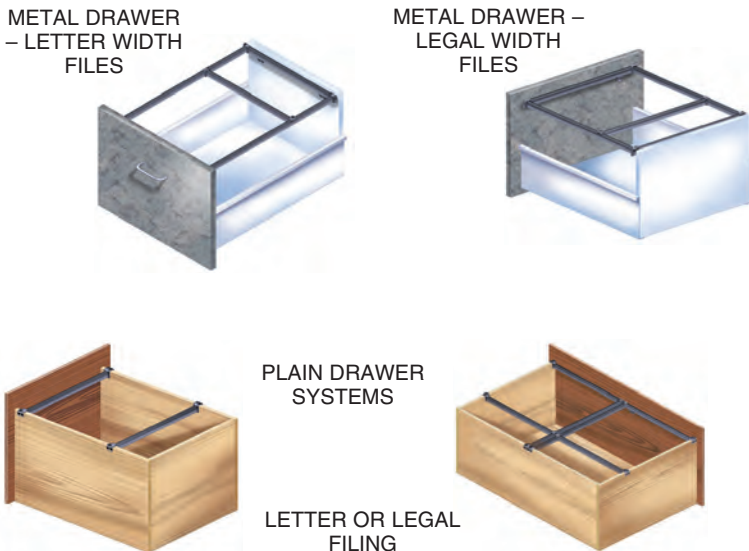
RECOMMENDED INSIDE DRAWER HEIGHT 8-3/4"

FILE FRAME SYSTEM CAN PROVIDE PERFECT FILING WITHIN THESE DIMENSIONS

### File Frame Systems – Typical Configurations



### File Frame Systems – Special Applications



### CUT-TO-SIZE KITS

FITS DRAWERS WITH INSIDE DEPTH LESS THAN 23"



### ORDER NUMBER

Letter width files ..... 39-290  
 Legal width files ..... 39-292

- Kitchens
- Doors
- Kitchen Accessories
- Hinges
- Drawer Slides
- Plywood Melamine
- Veneer Edgebanding
- Laminate
- Solid Surface
- Closets
- Furniture Hardware
- Pulls & Knobs
- Lighting
- Grommets
- Locks, Lock Systems
- Molding, Carvings
- Tools
- Adhesives Solvents Abrasives
- Chemicals Staples Screws



# LOCKS & LOCK SYSTEMS

## Glass Door Locks

### Bore Through Style Locks

Kitchens

#### TYPE 300 SERIES – Horizontal Mount



7/8" DIAMETER HOLE BORED IN GLASS CENTERED 7/8" FROM EDGE

CAM MUST ROTATE COUNTER-CLOCKWISE TO LOCK

FINISH CAP IS ATTACHED TO GIVE FINISHED APPEARANCE

NUT WASHER IS HAND TIGHTENED TO FASTEN CYLINDER BODY TO GLASS

#### ORDER NUMBERS

Nickel Finish  
**39-306**



Brass Finish  
**39-308**

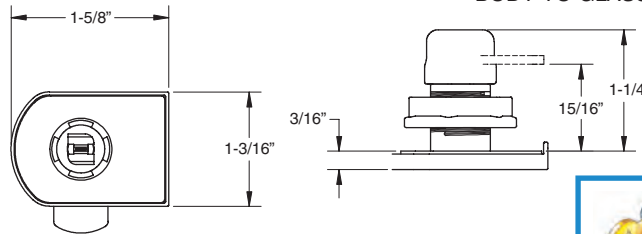


Satin Nickel Finish  
**39-310**



#### Features

- For swing style doors
- Glass doors up to 3/8" thick



#### LOCK PLUGS



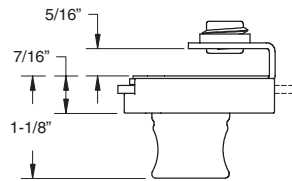
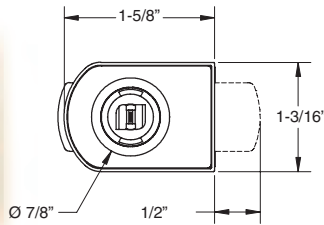
- 39-300 – LP100 Nickel KA100T
- 39-302 – LP500 Brass KA100T
- 39-304 – LP700 Satin Nickel KA100T
- 39-320 – LP100 Nickel KD

### Compression Mount Style Locks

#### TYPE 350 SERIES – Horizontal Mount



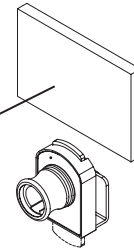
NO BORING REQUIRED



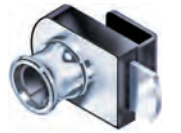
#### Features

- Fully cushioned to avoid glass damage
- Glass doors 1/4" to 5/16" thick

LOCK SLIPS INTO EDGE OF GLASS DOOR AT ANY LOCATION



Nickel Finish  
**39-294**



Brass Finish  
**39-296**



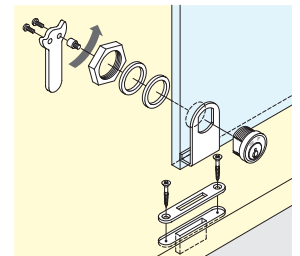
Satin Nickel Finish  
**39-298**



### Glass Cylinder Lock

#### Features

- Chrome on brass cylinder
- Key works as Knob in unlocked position
- Angle of locked & unlocked is 90°
- Setting hole diameter: 18.5 mm (23/32")
- Maximum door thickness: 7mm (9/32")



#### ORDER NUMBERS

- Polished stainless steel front plate ..... **39-176**
- Polished brass front plate ..... **39-178**



Doors  
Kitchen Accessories  
Hinges  
Drawer Slides  
Plywood Melamine  
Veneer Edgebanding  
Laminate  
Solid Surface  
Closets  
Furniture Hardware  
Pulls & Knobs  
Lighting  
Grommets  
Locks, Lock Systems  
Molding, Carvings  
Tools  
Adhesives Solvents Abrasives  
Chemicals Staples Screws

# CATCHES, LATCHES & BRACKETS

## Catches & Latches

Kitchens

Doors

Kitchen Accessories

Hinges

Drawer Slides

Plywood Melamine

Veneer Edgebanding

Laminate

Solid Surface

Closets

Furniture Hardware

Pulls & Knobs

Lighting

Grommets

Locks, Lock Systems

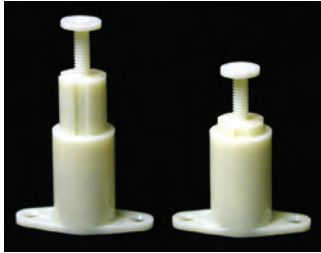
Molding, Carvings

Tools

Adhesives Solvents Abrasives

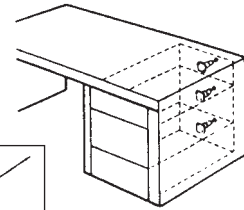
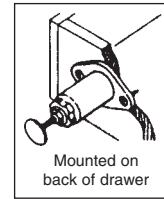
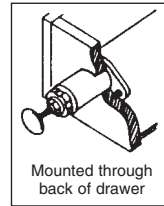
Chemicals Staples Screws

### Flexa Touch® Drawer Touch Latch



This unique drawer opener works like a ball point pen. Press forward about 1/8" and it springs open. Excellent for large or small drawers. Aproximate 2-1/2" clearance is required behind drawer.

Order number ..... **17-122**



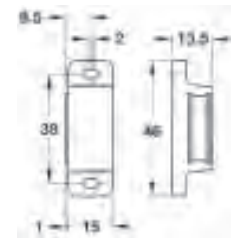
### Magnetic Catch



White..... **17-112**  
Black (not shown) ..... **17-152**

5 sets per pack

- Strong, permanent magnet
- 40 mm hole C/C
- Floating head
- Comes with strike plate
- Adjustable holes
- 8 lb. Pulling capacity



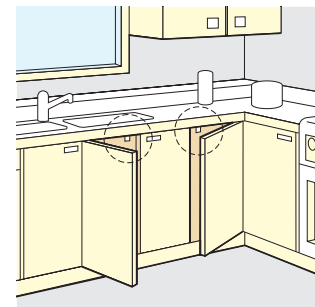
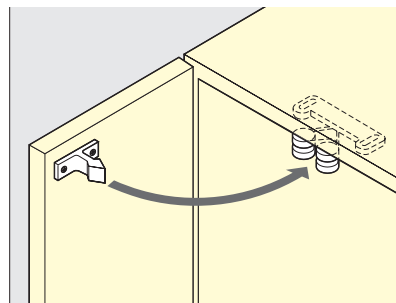
### Rotary Catch

**Rustproof catch ideal for bathroom and kitchen cabinets.**



White..... **17-156**  
Brown (not shown).... **17-158**

- Made of resin - rustproof
- Proven in tests to last... more than 300,000 times
- Catch & Strike made of polyacetal (natural white)
- Rollers made of polyethylene (natural white)
- Packaged: 5 sets

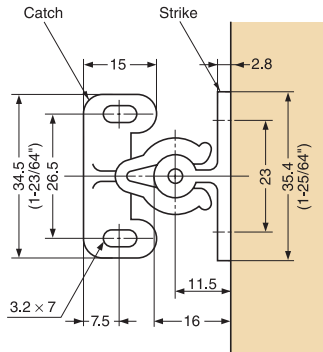
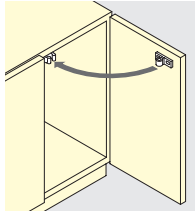


# CATCHES, LATCHES & BRACKETS

## K-Catch

Kitchens  
Doors  
Kitchen Accessories  
Hinges

**SUGATSUNE**



### Super Strong Nylon Catch

Order number ..... **19-250**  
5 sets per pack

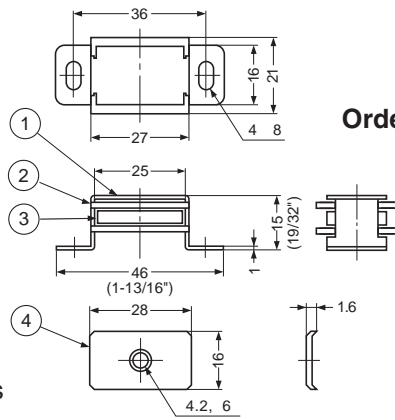


Drawer Slides

## Super 88 Magnetic Catch

Plywood Melamine

**SUGATSUNE**



Order number ..... **17-114**



- Magnetic force = 1.5kg (3.3 lbs.)
- Weight = 28.5g
- Box = 24 pcs.
- Carton = 720 boxes

- Material: Catch housing - aluminum  
Strike - Steel
- Finish: Strike - clear zinc chromate
- Screws not included

Closets

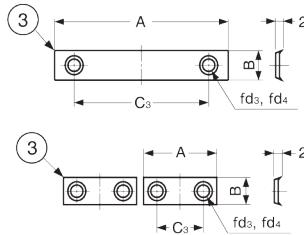
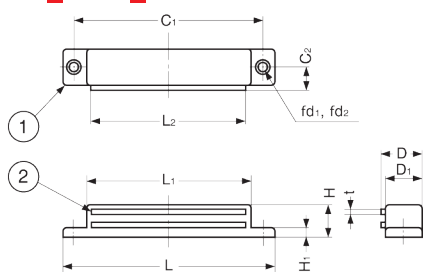
Furniture Hardware

## SP Series Magnetic Catch

Pulls & Knobs

**SUGATSUNE**

SP single plate..... **17-116**



- Material: Catch Housing – Polyamide  
Strike – 430 Stainless Steel
- Finish: White

Screws not included



Lighting

Grommets

Locks, Lock Systems

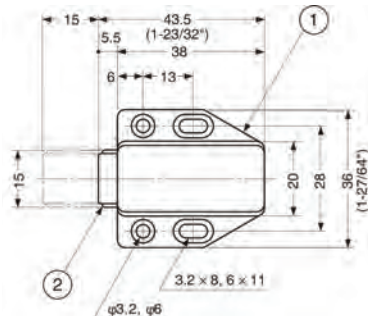
Molding, Carvings

## ML-80 Series Magnetic Touch Latch

Tools

**SUGATSUNE**

- Magnetic Force: 1.6kg (3.5 lbs)
- Packed: 20 pcs. per box  
400 pcs. per carton
- Material: body – ABS Plastic  
latch – Steel  
counterplate – Steel
- Finish: body – white, brown or black  
latch – Yellow Zinc Chromate  
counterplate – Yellow Zinc Chromate



ML-80 Brown..... **17-154**  
ML-80 Black ..... **17-155**  
ML-80 White ..... **17-164**



# CATCHES, LATCHES & BRACKETS

## Catches & Bolts

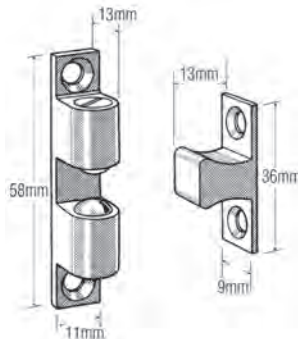
Kitchens  
Doors  
Kitchen Accessories  
Hinges  
Drawer Slides  
Plywood Melamine  
Veneer Edgbanding

### Solid Brass Double Roller Ball Catch

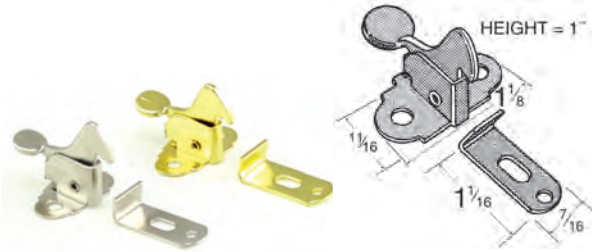


1-3/4" ..... **17-136**  
2-3/8" ..... **17-138**

Packaged 5 pieces



### Elbow Catch



Bright Chrome ..... **17-128**  
Zinc ..... **17-132**  
Polished Brass ..... **17-134**

### Double Roller Catch Latch



Statuary Bronze Double Roller Catch with Spear Strike provides smooth tight grip action that fastens cabinet doors securely. Helps keep kitchen and bathroom cabinets closed. Installation is easy and the necessary hardware is included.

- Double roller catch
- Steel base material with nylon rollers
- Statuary bronze finish
- Self-aligning arms work independently for easy installation
- Roller catch design to close securely without a magnet

Bronze ..... **17-140**

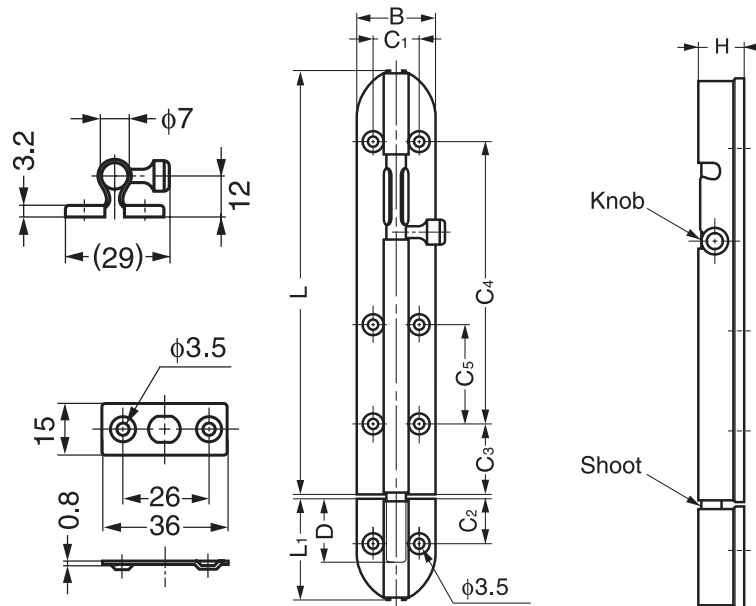
### Stainless Steel Barrel Bolt

L	L <sub>1</sub>	H	B	C <sub>1</sub>	C <sub>2</sub>	C <sub>3</sub>	C <sub>4</sub>	C <sub>5</sub>	D
90 (3-35/64")	36 (1-27/64")	16.5	27 (1-1/16")	16	15	14.5	58	-	24



- Finish: Body - satin  
Shoot - brass nickel plated
- Supplied with stainless wood screws

Order number  
**55-104**



Laminate  
Solid Surface  
Closets  
Furniture Hardware  
Pulls & Knobs  
Lighting  
Grommets  
Locks, Lock Systems  
Molding, Carvings  
Tools  
Adhesives Solvents Abrasives  
Chemicals Staples Screws

# CATCHES, LATCHES & BRACKETS

## Latches

Kitchens

Doors

Kitchen Accessories

Hinges

Drawer Slides

Plywood Melamine

Veneer Edgebanding

Laminate

Solid Surface

Closets

Furniture Hardware

Pulls & Knobs

Lighting

Grommets

Locks, Lock Systems

Molding, Carvings

Tools

Adhesives Solvents Abrasives

Chemicals Staples Screws

### Mini Touch Latch

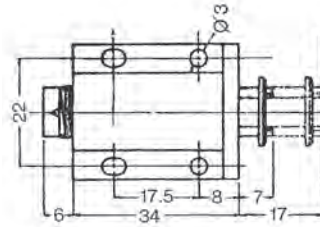
- Mini latch
- Strike included
- Material: Steel/Plastic
- Packaged 1 set
- White



Order number ..... 17-104

### Single Magnetic Touch Latch

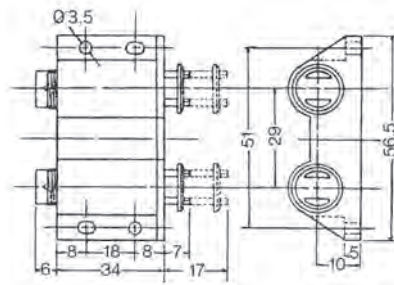
- Suitable for glass or wood doors
- Material: plastic



Brown ..... 17-146  
 White ..... 17-144  
 Black ..... 17-148

### Double Magnetic Touch Latch

- Double touch latch for two doors
- Material: plastic

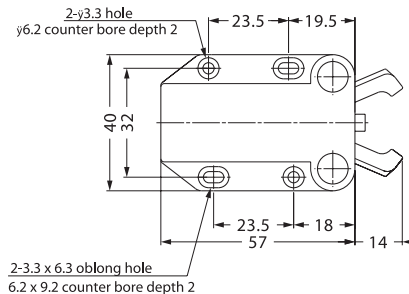
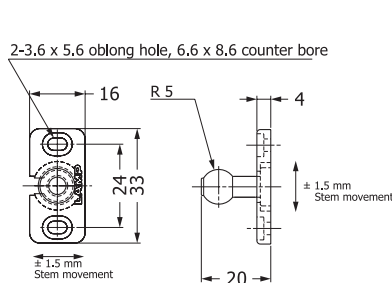


Brown ..... 17-124  
 White ..... 17-126  
 Black ..... 17-150

### RV & Boat Touch Latch



A simple push is all it takes to open or close a door.



Order number ..... 17-210

# CATCHES, LATCHES & BRACKETS

## Wall Standards & Shelf Brackets



**Wall Standard Clip**  
Clip.....27-124

### Steel Wall Standard

- 24" .....27-130
- 30" .....27-132
- 36" .....27-134
- 72" .....27-138
- 96" .....27-400



Kitchens

Doors

Kitchen  
Accessories

Hinges

Drawer  
Slides

Plywood  
Melamine

Veneer  
Edgebanding

Laminate

Solid  
Surface

Closets

Furniture  
Hardware

Pulls  
&  
Knobs

Lighting

Grommets

Locks,  
Lock  
Systems

Molding,  
Carvings

Tools

Adhesives  
Solvents  
Abrasives

Chemicals  
Staples  
Screws



### Shelf Bracket

- 6" .....27-316
- 8" .....27-318
- 10" .....27-320
- 12" .....27-322
- 14" .....27-324
- 16" .....27-326
- 18" .....27-328

### Wall Standard

- 24" .....27-302
- 36" .....27-304
- 48" .....27-306
- 60" .....27-308
- 72" .....27-310
- 96" .....27-312



### Shelf Bracket

- 12" .....27-342
- 14" .....27-344
- 16" .....27-346
- 18" .....27-347
- 20" .....27-349

### Heavy Duty Wall Standard

- 24" .....27-330
- 36" .....27-332
- 48" .....27-334
- 60" .....27-336
- 72" .....27-338
- 96" .....27-340



### Shelf Bracket

- 12" .....27-356
- 14" .....27-358
- 16" .....27-360
- 18" .....27-362
- 20" .....27-364

### Double Track Wall Standard

- 24" .....27-348
- 36" .....27-350
- 72" .....27-352
- 96" .....27-354



# CATCHES, LATCHES & BRACKETS

## Brackets

Kitchens

Doors

Kitchen  
Accessories

Hinges

Drawer  
Slides

Plywood  
Melamine

Veneer  
Edgebanding

Laminate

Solid  
Surface

Closets

Furniture  
Hardware

Pulls  
&  
Knobs

Lighting

Grommets

Locks,  
Lock  
Systems

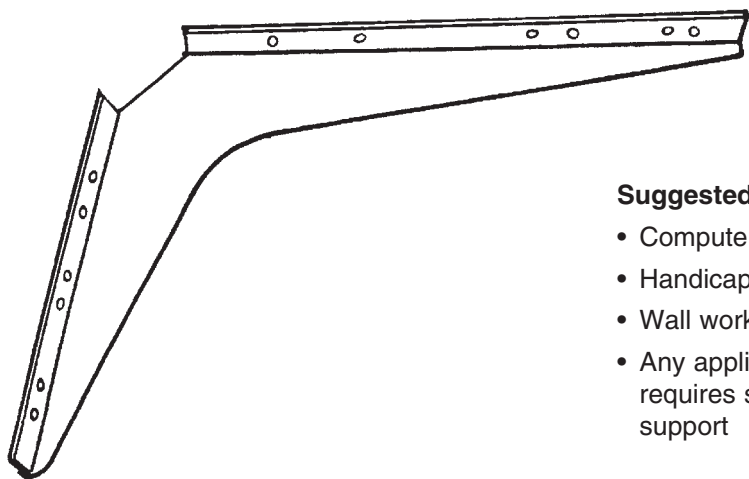
Molding,  
Carvings

Tools

Adhesives  
Solvents  
Abrasives

Chemicals  
Staples  
Screws

### Workstation Bracket



#### Features:

- 45° cut-out allows for use with up to 1-3/8" x 1/3/8" wall cleats
- 1/8" powder coated steel
- 1,000 lb. LOAD capacity
- Sold per pair: 1-left, 1-right

#### Suggested Uses:

- Computer workstations
- Handicap counter tops
- Wall workbench tops
- Any application that requires strong, rigid support

White (18" x 24") .....	<b>43-434</b>
Black (18" x 24") .....	<b>43-436</b>
White (24" x 29") .....	<b>43-438</b>
Black (24" x 29") .....	<b>43-440</b>

### Heavy Duty Bracket



#### Suggested Uses:

- Counter tops
- Work surfaces
- Book shelves
- Closet shelves

#### Features:

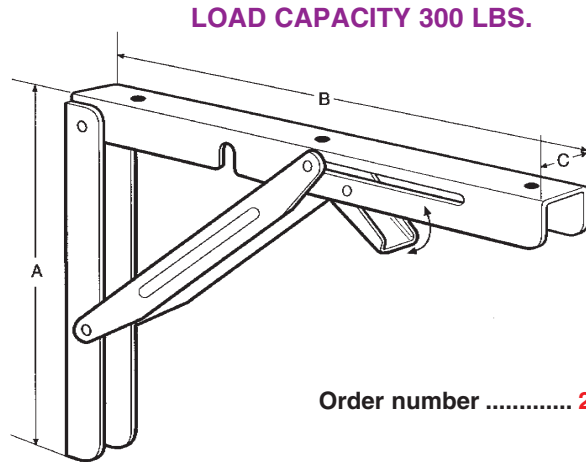
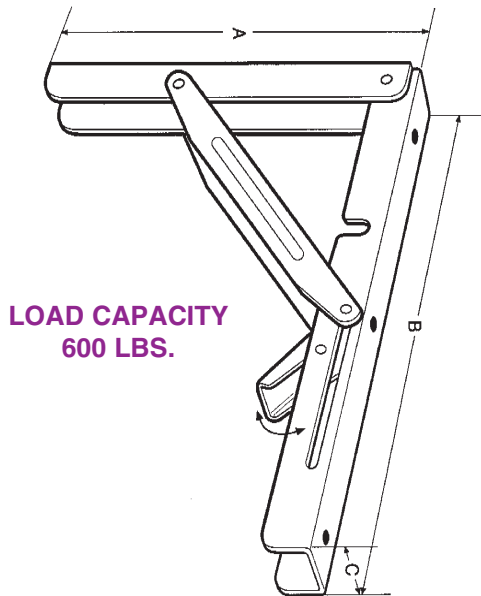
- 5mm steel
- Epoxy coated
- Sold per piece

White (11-1/2" x 8-1/2") .....	<b>27-500</b>
Black (11-1/2" x 8-1/2") .....	<b>27-502</b>
White (15-1/2" x 10-1/2") .....	<b>27-504</b>
Black (15-1/2" x 10-1/2") .....	<b>27-506</b>
White (19-1/2" x 13") .....	<b>27-508</b>
Black (19-1/2" x 13") .....	<b>27-510</b>

# CATCHES, LATCHES & BRACKETS

## Folding Brackets

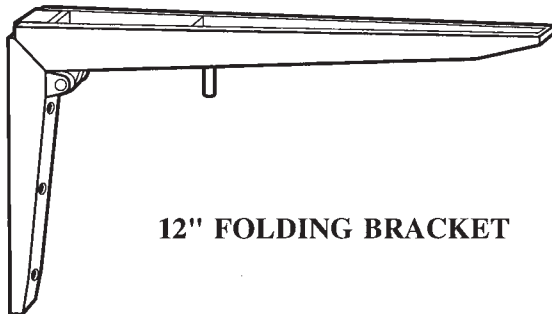
- Heavy Duty Stainless Steel
- Type 304 Electro-Polished
- Sold Individually



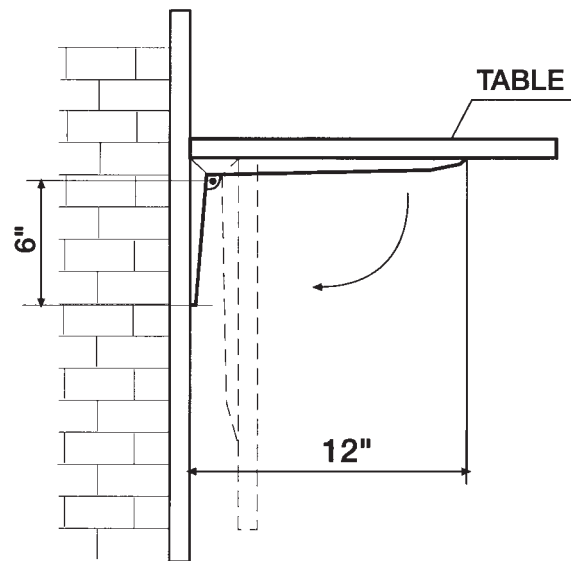
Order number ..... **27-296**

DIM	INCHES
A	6 5/8"
B	12 1/8"
C	7/8"

- 80 Lbs. Capacity Per Set
- Blister Packed
- All Hardware Supplied
- Sold In Pairs



Order number ..... **27-294**



Kitchens

Doors

Kitchen  
Accessories

Hinges

Drawer  
Slides

Plywood  
Melamine

Veneer  
Edgebanding

Laminate

Solid  
Surface

Closets

Furniture  
Hardware

Pulls  
&  
Knobs

Lighting

Grommets

Locks,  
Lock  
Systems

Molding,  
Carvings

Tools

Adhesives  
Solvents  
Abrasives

Chemicals  
Staples  
Screws



# CATCHES, LATCHES & BRACKETS

## Shelf Clips

Kitchens

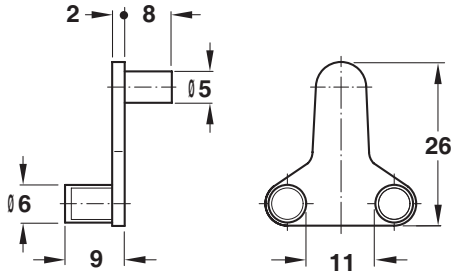
### Nickel Plated Glass Retainer Shelf Clip

Doors

Kitchen Accessories

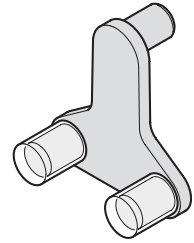
Hinges

Drawer Slides



Works With 3/16" Or 1/4" Glass

Order number  
5 mm ..... **27-208**



Plywood Melamine

### Metal Spoon Clip

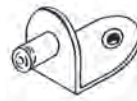
Veneer Edgebanding

1/4" clip may be used with **27-192** or **27-194** clip sockets



Order number  
5mm Bright Brass ..... **27-168**  
5mm Bright Nickel..... **27-170**  
1/4" Bright Brass ..... **27-212**  
1/4" Bright Nickel ..... **27-214**

### 1/4" 'L' Shelf Clip



Packaged  
100 pieces



Order number  
Polished Chrome..... **27-226**  
Polished Brass ..... **27-238**

Laminate

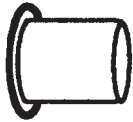
Solid Surface

Closets

Furniture Hardware

### Metal 1/4" Shelf Clip Socket

Requires a 9/32" boring  
Can be used with 1/4" stem shelf clips



Order number  
Polished Chrome..... **27-194**  
Polished Brass ..... **27-192**

### 5 mm Shelf Clip with Steel Pin



Order number  
Clear..... **27-228**  
White..... **27-232**



Pulls & Knobs

Lighting

Grommets

Locks, Lock Systems

### Wood Shelf Retainer Clip

- White Plastic
- Ridges allow 5/8" + or - 1/16" shelf to work properly
- Clips for 1/2" or 3/4" shelves
- Other colors by special order
- Packaged 100 pcs

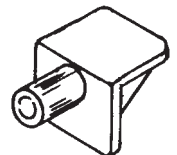


Order number  
5 mm ..... **27-164**  
1/4" ..... **27-166**

### 5mm Econo Shelf Clip



Order number  
**27-240**



Molding, Carvings

Tools

Adhesives Solvents Abrasives

Chemicals Staples Screws

# CATCHES, LATCHES & BRACKETS

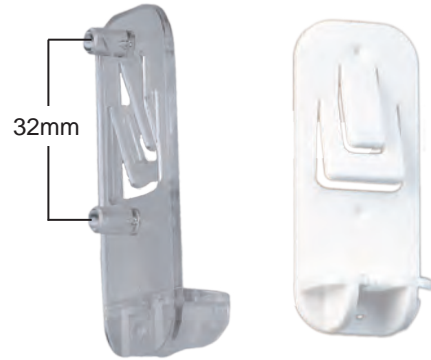
## Shelf Clips



**ANSI/BHMA A156.9-03  
GRADE 3 REQUIREMENT**

**PASS** – Static LOAD Test  
BHMA section 4.8.4.3

**PASS** – Impact LOAD Test  
BHMA section 4.8.4.4



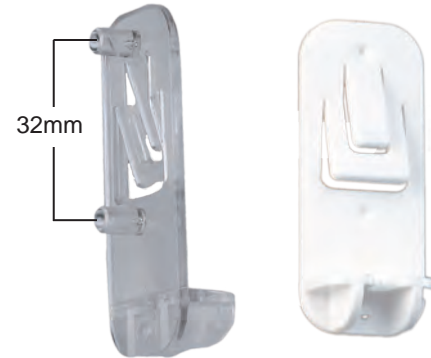
ITEM	COLOR	SIZE	DESCRIPTION	RECOMMENDED SHELF SIZE	LOAD RATING
<b>27-160</b>	CLEAR	5 mm	5mm Double Pin	36" Width	200 Lbs.
<b>27-161</b>	WHITE	5 mm	5mm Double Pin	36" Width	200 Lbs.



**ANSI/BHMA A156.9-03  
GRADE 3 REQUIREMENT**

**PASS** – Static LOAD Test  
BHMA section 4.8.4.3

**PASS** – Impact LOAD Test  
BHMA section 4.8.4.4



ITEM	COLOR	SIZE	DESCRIPTION	RECOMMENDED SHELF SIZE	LOAD RATING
<b>27-162</b>	WHITE	1/4"	1/4" Pin w / Ridges	36" Width	200 Lbs.
<b>27-163</b>	CLEAR	1/4"	1/4" Pin w / Ridges	36" Width	200 Lbs.



**ANSI/BHMA A156.9-03  
GRADE 3 REQUIREMENT**

**PASS** – Static LOAD Test  
BHMA section 4.8.4.3

**PASS** – Impact LOAD Test  
BHMA section 4.8.4.4



ITEM	COLOR	SIZE	DESCRIPTION	RECOMMENDED SHELF SIZE	LOAD RATING
<b>27-165</b>	WHITE	5 mm	5mm Double Pin	36" Width	350 Lbs.
<b>27-167</b>	CLEAR	5 mm	5mm Double Pin	36" Width	350 Lbs.

Kitchens

Doors

Kitchen  
Accessories

Hinges

Drawer  
Slides

Plywood  
Melamine

Veneer  
Edgebanding

Laminate

Solid  
Surface

Closets

Furniture  
Hardware

Pulls  
&  
Knobs

Lighting

Grommets

Locks,  
Lock  
Systems

Molding,  
Carvings

Tools

Adhesives  
Solvents  
Abrasives

Chemicals  
Staples  
Screws

# CATCHES, LATCHES & BRACKETS

## Fastening Fittings

Kitchens

### Hanger Fittings

Doors

Kitchen Accessories



Hinges

Drawer Slides

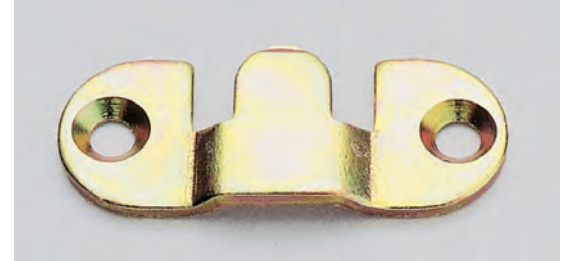
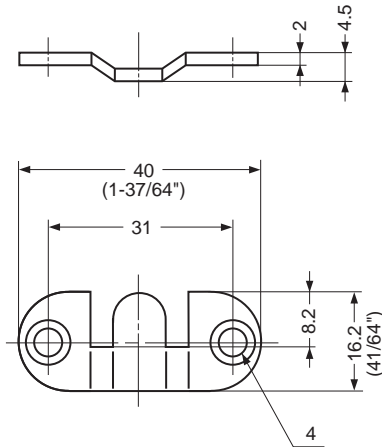
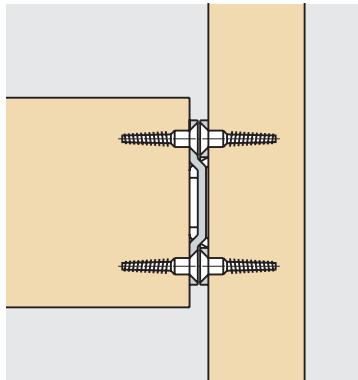
Plywood Melamine

Veneer Edgebanding

Laminate

Solid Surface

Closets



Order number  
**19-194**

- Made of steel
- Finish: bright zinc chromate
- Packaged 5 pieces

Furniture Hardware

### Key Lock Fitting

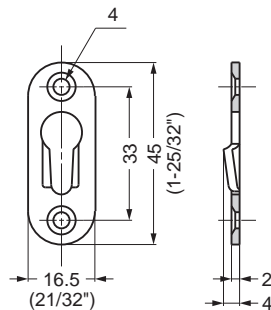
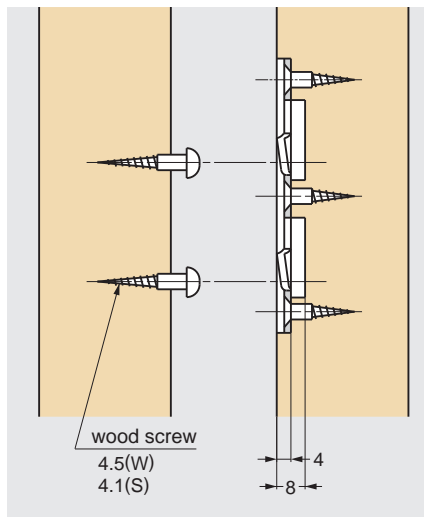
Pulls & Knobs

Lighting



- Made of steel
- Finish: bright zinc chromate
- Packaged 5 pieces

Grommets



Order number  
**19-198**



Locks, Lock Systems

Molding, Carvings

Tools

Adhesives Solvents Abrasives

Chemicals Staples Screws

Most of the merchandise in this catalog is available in all Hardware Imagination-Tech locations. If your selection isn't available at the store nearest you, we'll gladly order it from one of the other stores or through special order.