

Conestoga Wood Doors



Kitchens

Doors

Kitchen
Accessories

Hinges

Drawer
Slides

Plywood
Melamine

Veneer
Edgebanding

Laminate

Solid
Surface

Closets

Furniture
Hardware

Pulls
&
Knobs

Lighting

Grommets

Locks,
Lock
Systems

Molding,
Carvings

Tools

Adhesives
Solvents
Abrasives

Chemicals
Staples
Screws



CONESTOGA
CREATIONS TO FIT YOUR LIFESTYLE

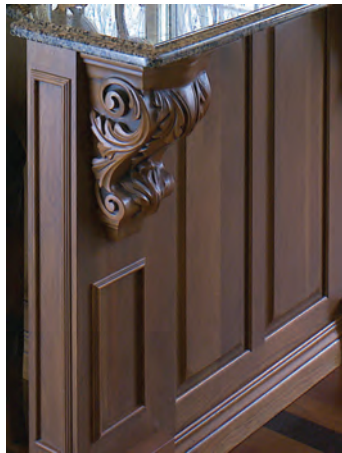
We are proud to offer Conestoga custom cabinet doors in a variety of designs, finishes, and styling options made from many different wood species. Please ask your sales representative for a complete catalog.



Doors



Conestoga Wood



Kitchens

Doors

Kitchen
Accessories

Hinges

Drawer
Slides

Plywood
Melamine

Veneer
Edgebanding

Laminate

Solid
Surface

Closets

Furniture
Hardware

Pulls
&
Knobs

Lighting

Grommets

Locks,
Lock
Systems

Molding,
Carvings

Tools

Adhesives
Solvents
Abrasives

Chemicals
Staples
Screws

Doors

Raised Panel Doors



Kitchens

Doors

Kitchen Accessories

Hinges

Drawer Slides

Plywood Melamine

Veneer Edgebanding

Laminate

Solid Surface

Closets

Furniture Hardware

Pulls & Knobs

Lighting

Grommets

Locks, Lock Systems

Molding, Carvings

Tools

Adhesives Solvents Abrasives

Chemicals Staples Screws



CRP-10

EP. C-2 PR. Slant
FB. Regular DF. CRP-10



CRP-20

EP. PRS-2 PR. G-Cove
FB. Ogee DF. Slab



CRP-30

EP. H-2 PR. Slant
FB. Regular DF. #10



CRP-90

EP. L-149 PR. Presidential
FB. Elite DF. CRP-10



NORMANDIE

EP. L-772 PR. P-317
FB. Standard DF. Normandie
1" Thick Only



PROVENCE

EP. L-780 PR. P-320
FB. Standard DF. Provence
1" Thick Only

EP | Edge Profile FB | Framing Bead PR | Panel Raise DF | Drawer Front

All products on this page are shown in premium cherry with a natural finish and a brown glaze.

Doors



Recessed Panel Doors



TW-10

EP. PRS-2 PR. 1/4" Plywood
 FB. Regular DF. TW-10



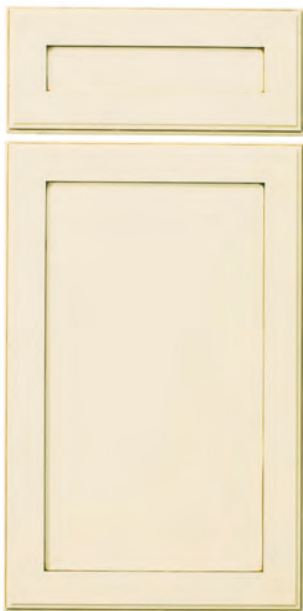
TW-10522

EP. L-149 PR. 9/16" Plywood
 FB. Standard DF. TW-10522



TW-10751

EP. LC-Inset PR. 1/4" Plywood
 FB. Regular DF. TW-10715



TW-10916

EP. H-2 PR. 9/16" Plywood
 FB. Standard DF. TW-10916



TW- PRESIDENTIAL MITER

EP. PRS-2 PR. 1/4" Plywood
 FB. Standard DF. TW- Presidential Miter



STOCKBRIDGE

EP. Machine PR. 1/4" Plywood
 FB. Square DF. Stockbridge

Kitchens

Doors

Kitchen
Accessories

Hinges

Drawer
Slides

Plywood
Melamine

Veneer
Edgebanding

Laminate

Solid
Surface

Closets

Furniture
Hardware

Pulls
&
Knobs

Lighting

Grommets

Locks,
Lock
Systems

Molding,
Carvings

Tools

Adhesives
Solvents
Abrasives

Chemicals
Staples
Screws

EP | Edge Profile FB | Framing Bead PR | Panel Raise DF | Drawer Front

All products on this page are shown in hard maple with crystal white finish and a coffee glaze.

Doors

Mitered Doors



Kitchens

Doors

Kitchen Accessories

Hinges

Drawer Slides

Plywood Melamine

Veneer Edgebanding

Laminate

Solid Surface

Closets

Furniture Hardware

Pulls & Knobs

Lighting

Grommets

Locks, Lock Systems

Molding, Carvings

Tools

Adhesives Solvents Abrasives

Chemicals Staples Screws



CRP-10 MITERED

EP. J-2 PR. G-Cove
FB. Ogee DF. CRP-10 Mitered



CRP-10318

EP. Standard PR. RM
FB. Standard DF. CRP-10318



CRP-10533

EP. Machine PR. Louis XIII
FB. Standard DF. CRP-10533



CRP-10827

EP. Standard PR. M-Bead
FB. Standard DF. CRP-10827



CRP-10875

EP. Standard PR. Slant
FB. Standard DF. CRP-10875



CRP-10946

EP. Standard PR. Presidential
FB. Standard DF. CRP-10946

EP | Edge Profile FB | Framing Bead PR | Panel Raise DF | Drawer Front

All products on this page are shown in hard maple with ginger finish and a brown glaze.

Doors



Applied Moulding Doors



BARCELONA

EP. E-2 PR. 1" G-Cove
 FB. Standard DF. Barcelona



CRP-10161

EP. C-2 PR. Reverse G-Cove
 FB. Standard DF. CRP-10161



CRP-10797

EP. PRS-2 PR. Presidential
 FB. Standard DF. CRP-10797



VERONA

EP. H-2 PR. 1/4" Plywood
 FB. Standard DF. Verona



CRP-10A48

EP. J-2 PR. 1/4" Plywood
 FB. Standard DF. CRP-10A48



STAFFORDSHIRE

EP. L-772 PR. P-320
 FB. Standard DF. Staffordshire

1" Thick Only

1" Thick Only

EP | Edge Profile

FB | Framing Bead

PR | Panel Raise

DF | Drawer Front

All products on this page are shown in alder with harvest gold finish and a sable glaze.

Kitchens

Doors

Kitchen Accessories

Hinges

Drawer Slides

Plywood Melamine

Veneer Edgebanding

Laminate

Solid Surface

Closets

Furniture Hardware

Pulls & Knobs

Lighting

Grommets

Locks, Lock Systems

Molding, Carvings

Tools

Adhesives Solvents Abrasives

Chemicals Staples Screws

Doors

Decorative Applied Moulding Doors



Kitchens

Doors

Kitchen Accessories

Hinges

Drawer Slides

Plywood Melamine

Veneer Edgebanding

Laminate

Solid Surface

Closets

Furniture Hardware

Pulls & Knobs

Lighting

Grommets

Locks, Lock Systems

Molding, Carvings

Tools

Adhesives Solvents Abrasives

Chemicals Staples Screws



LASALLE

EP. Standard PR. Louis XIII
FB. Standard DF. LaSalle



MARQUIS

EP. PRS-2 PR. Presidential
FB. Standard DF. Marquis



SAXONY

EP. I-149 PR. Reverse G-Cove
FB. Standard DF. Saxony



COTSWALD

EP. PRS-2 PR. M-Bead
FB. Standard DF. Cotswald



MONACO

EP. C-2 PR. RM
FB. Standard DF. Monaco



NEWBURY

EP. L-061 PR. Slant
FB. Standard DF. Newbury

EP | Edge Profile

FB | Framing Bead

PR | Panel Raise

DF | Drawer Front

All products on this page are shown in cherry with a colonial finish and a sable glaze.

Doors



Shaker Doors

Kitchens

Doors

Kitchen Accessories

Hinges

Drawer Slides

Plywood Melamine

Veneer Edgebanding

Laminate

Solid Surface

Closets

Furniture Hardware

Pulls & Knobs

Lighting

Grommets

Locks, Lock Systems

Molding, Carvings

Tools

Adhesives Solvents Abrasives

Chemicals Staples Screws



ALBANY

EP. Machine PR. Reverse G-Cove
FB. Standard DF. Albany



AMESBURY

EP. I-149 PR. Reverse G-Cove
FB. Standard DF. Amesbury



FAIRHAVEN

EP. Machine PR. Reverse G-Cove
FB. Standard DF. Fairhaven



MADISON

EP. I-149 PR. Reverse G-Cove
FB. Standard DF. Madison



SHELDON

EP. Machine PR. Reverse G-Cove
FB. Standard DF. Sheldon



WINDHAM

EP. L-772 PR. Reverse G-Cove
FB. Standard DF. Windham

EP | Edge Profile FB | Framing Bead PR | Panel Raise DF | Drawer Front

All Shaker products on this page are shown in red oak with a nutmeg finish.

Doors

Statesman Doors



Kitchens

Doors

Kitchen Accessories

Hinges

Drawer Slides

Plywood Melamine

Veneer Edgebanding

Laminate

Solid Surface

Closets

Furniture Hardware

Pulls & Knobs

Lighting

Grommets

Locks, Lock Systems

Molding, Carvings

Tools

Adhesives Solvents Abrasives

Chemicals Staples Screws



CHURCHILL

EP. PRS-2 PR. P-008

FB. Ogee DF. Churchill



DOUGLASS

EP. V-2 PR. Standard

FB. Standard DF. Douglass



FRANKLIN

EP. Machine PR. Louis XIII

FB. Elite DF. Franklin



HANCOCK

EP. B-2 PR. P-284

FB. Standard DF. Hancock



LAFAYETTE

EP. C-2 PR. Standard

FB. Regular DF. Lafayette



MONROE

EP. E-2 PR. Standard

FB. Ogee DF. Monroe

EP | Edge Profile

FB | Framing Bead

PR | Panel Raise

DF | Drawer Front

All Statesman products on this page are shown in walnut with a cordovan finish and a sable glaze.

Doors



Contemporary Doors

Kitchens

Doors

Kitchen Accessories

Hinges

Drawer Slides

Plywood Melamine

Veneer Edgebanding

Laminate

Solid Surface

Closets

Furniture Hardware

Pulls & Knobs

Lighting

Grommets

Locks, Lock Systems

Molding, Carvings

Tools

Adhesives Solvents Abrasives

Chemicals Staples Screws



ASTORIA

EP. Standard PR. Standard
FB. Standard DF. Astoria



SAVOY

EP. Standard PR. Standard
FB. Standard DF. Savoy



FLUSH BATTEN

EP. O PR. Standard
FB. Standard DF. Slab



CRP-10605

EP. Machine PR. Chamfer
FB. Standard DF. CRP-10605



MILAN

EP. Standard PR. P-441
FB. Standard DF. Milan



PRESTIGE

EP. Standard PR. P-008
FB. Standard DF. Prestige

EP | Edge Profile FB | Framing Bead PR | Panel Raise DF | Drawer Front

All Contemporary products on this page are shown in hard maple with natural finish and a brown glaze.

Doors

Complex & Specialty Doors



Kitchens

Doors

Kitchen Accessories

Hinges

Drawer Slides

Plywood Melamine

Veneer Edgebanding

Laminate

Solid Surface

Closets

Furniture Hardware

Pulls & Knobs

Lighting

Grommets

Locks, Lock Systems

Molding, Carvings

Tools

Adhesives Solvents Abrasives

Chemicals Staples Screws



MONARCH SQUARE

EP. L-149 PR. Louis XIII
FB. Elite DF. Monarch Square



MONARCH CATHEDRAL

EP. L-149 PR. Louis XIII
FB. Elite DF. Monarch Square



CRP-10141

EP. V-2 PR. P-008
FB. Standard DF. CRP-10141



PRESIDENTIAL SQUARE

EP. PRS-2 PR. Presidential
FB. Standard DF. Presidential Square



PRESIDENTIAL CATHEDRAL

EP. PRS-2 PR. Presidential
FB. Standard DF. Presidential Square



HALF CIRCLE

EP. C-2 PR. G-Cove
FB. Regular DF. Keystone

EP | Edge Profile FB | Framing Bead PR | Panel Raise DF | Drawer Front

All Complex & Specialty products on this page are shown in cherry with a honey finish and a sable glaze.



Impresa Doors

Impresa Technology brand products are the result of the combined efforts of Conestoga Wood Specialties and Italian component manufacturer, La Venus S.p.A. Conestoga's search for a high quality, low cost alternative to wood doors was discovered in the decorative laminate veneer (DLV) products that have been routinely used in the European kitchen and furniture industries for nearly three decades.

Conestoga's high standards for quality and service led them to seek a long term, secure relationship with La Venus, who shares the same high level of dedication to its customers. Both companies produce high quality products and, as importantly, have a similar commitment to reliability. Together the decision was made to manufacture this collection in the U.S. by creating a legal joint venture and **Impresa** Technologies, LLC was born.

Impresa offers a palette of doors and accessories for designers and manufacturers to create complete custom kitchens one at a time. Featuring stylish, mitered five-piece doors and drawer fronts, **Impresa** offers the creativity and design flexibility for the budget conscious consumer with discriminating taste.



Cararra



CORTINA



MURANO



PARMA



San

Kitchens

Doors

Kitchen Accessories

Hinges

Drawer Slides

Plywood Melamine

Veneer Edgebanding

Laminate

Solid Surface

Closets

Furniture Hardware

Pulls & Knobs

Lighting

Grommets

Locks, Lock Systems

Molding, Carvings

Tools

Adhesives Solvents Abrasives

Chemicals Staples Screws

Edge Profiles



Kitchens						
Doors	B	B-2*	C	C-2	CFP-2*	
Kitchen Accessories	3/4" only Rabbit: 7/16" deep 3/8" high	3/4" and 1"	3/4" only Rabbit: 7/16" deep 3/8" high	3/4" and 1"	3/4" and 1"	
Hinges						
Drawer Slides	E-2	FEP**	FP	H	H-2*	
Plywood Melamine	3/4" and 1"	3/4" only Rabbit: 11/16" deep 1/8" high	3/4" only	3/4" only Rabbit: 7/16" deep 3/8" high	3/4" and 1"	
Veneer Edgebanding						
Laminate	J-2	L-034*	L-059*	L-061	L-120	
Solid Surface	3/4" and 1"	3/4" and 1"	3/4" and 1" 3/8" radius	3/4" and 1"	3/4" and 1"	
Closets						
Furniture Hardware	L-149*	L-253	L-281*	L-686	L-772	
Pulls & Knobs	3/4" and 1" 1/8" radius	3/4" and 1" 5 degree back bevel	3/4" and 1"	3/4" and 1" 5 degree back bevel	3/4" and 1"	
Lighting						
Grommets	L-803*	L-947	LC-2*	Machine Edge*	PRS-2*	
Locks, Lock Systems	3/4" and 1"	3/4" and 1"	3/4" and 1"	3/4" and 1"	3/4" and 1"	
Molding, Carvings	<div style="border: 1px solid black; padding: 10px;"> <p>Premium Edge Profiles: additional charge per door. <i>These three profiles require 2 additional working days.</i></p> </div>					
Tools						RC-2
Adhesives Solvents Abrasives						3/4" and 1"
Chemicals Staples Screws					V-2*	
	3/4" and 1"	3/4" and 1"	3/4" and 1"	3/4" and 1"	3/4" and 1"	

Images Shown Are Not To Scale.

* Drilling For Concealed Hinges Is Available On Doors With These Profiles.

** Designed For Use On A "Finished End Panel." Can Be Used With Conestoga Cabinet Systems.

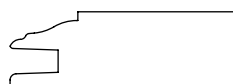
Doors



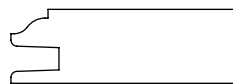
Framing Bead / Panel Profiles



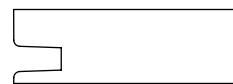
Regular
3/4" and 1"



Elite
3/4" only



Ogee
3/4" and 1"



Square
3/4" and 1"

Panel Raises



Slant
3/4" and 1" Doors



G-Cove
3/4" and 1" Doors



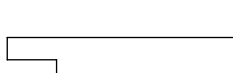
Louis XIII Raise
3/4" Doors only



M-Bead
3/4" and 1" Doors



P008 Raise
3/4" and 1" Doors



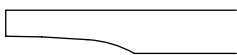
P-057
3/4" and 1" Doors



P-602
3/4" and 1" Doors



Presidential Raise
3/4" Doors only



Reverse G-Cove
3/4" and 1" Doors



RM-Raise
3/4" and 1" Doors

End Grain Sealing Option for Panels

- Sealer is applied to the end grain of the panel raise and the result is a more uniform appearance between panel end grain and side grain of profiled area after the finish is applied.
- Available on all published species, finished or unfinished.
- Available on all published panel raises.
- End grain sealer is a water-based product.
- Available with the following one-piece drawer fronts - #10, Keystone, 10141, Marcel, Douglass, 1-1/8" Sandwich, and 1-1/2" Sandwich.
- Add 1 day to lead-time; expedites not available.

All published raises are available in hybrid products. Hybrid products consist of MDF panel and solid wood framing. 3/4" panel raises measure 5/8" finished thickness except reverse G-cove and P-057 which measures 3/8" thick. 1" panel raises measure 3/4" finished thickness except reverse G-cove and P-057 which measures 1/2" thick. Images shown are not to scale.

Kitchens

Doors

Kitchen Accessories

Hinges

Drawer Slides

Plywood Melamine

Veneer Edgebanding

Laminate

Solid Surface

Closets

Furniture Hardware

Pulls & Knobs

Lighting

Grommets

Locks, Lock Systems

Molding, Carvings

Tools

Adhesives Solvents Abrasives

Chemicals Staples Screws

Doors

Slab, Batten & Louver Doors



Kitchens

Doors

Kitchen Accessories

Hinges

Drawer Slides

Plywood Melamine

Veneer Edgebanding

Laminate

Solid Surface

Closets

Furniture Hardware

Pulls & Knobs

Lighting

Grommets

Locks, Lock Systems

Molding, Carvings

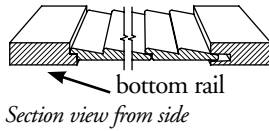
Tools

Adhesives Solvents Abrasives

Chemicals Staples Screws



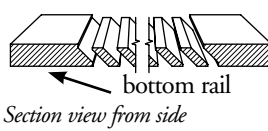
CWS-10302



7-1/2" x 7-1/2"
Stiles - 2-5/16" framing
Rail width varies from 2" to 2-13/16" depending on height of door.



***CWS-10446**

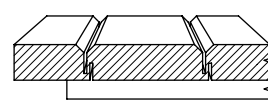


7-1/2" x 7-1/2"
Stiles - 2-5/16" framing
Top rail - 2-5/16" framing on face
Bottom rail - framing varies from 2-1/8" to 2-15/16" on face.



DVG Batten

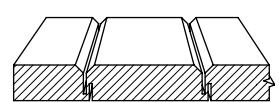
matching drawer front available



6" x 7-1/2"
Grooves randomly placed. Battens are attached to back. See Batten Specifications below.



V-200

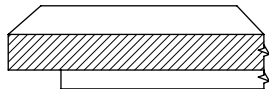


6" x 7-1/2"
Rails - 2-5/16" on face
Grooves randomly placed.

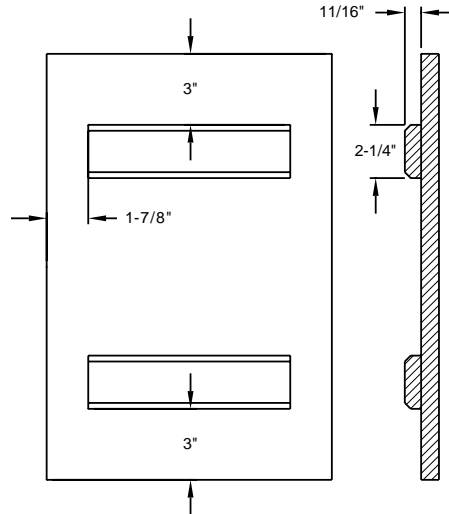


Flush Batten

matching drawer front available



6" x 7-1/2"
Battens are attached to back. See Batten Specifications at right.



Batten Specifications

Batten location - 3" from top and bottom of door. 1-7/8" from each door edge.



Moulding

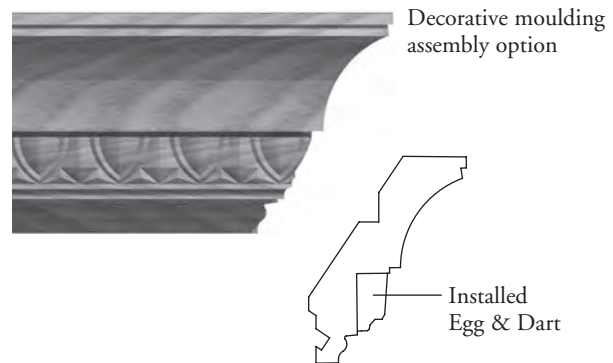
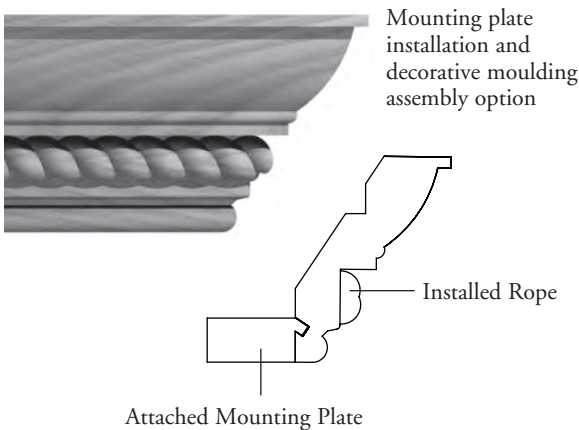
Conestoga's pre-assembled moulding options provide a cost effective alternative to installing mounting cleats and decorative accessory mouldings. By eliminating the need to assemble mouldings in your shop, you can increase throughput and focus your skilled labor on more profitable tasks. Assembled mouldings also finish more attractively, providing additional area for glaze hang up, accentuating the entire profile of decorative accessory mouldings.

Mounting Plate Installation Option

- The Mounting Plate Installation option allows the 384 and 470 mounting plates to be preapplied to select crown and light rail mouldings. For assembled mouldings over 8' in length, mounting plate will consist of two lengths cut to size.
- Eligible profiles include the 342, 343, 344, 1621, 1622 and 1623 Crowns, 345 Reversible Frieze and 1448 Light Rail.
- Pricing is calculated by adding the cost of both eight foot moulding lengths plus an upcharge for the Mounting Plate Installation option.
- To order designate "Mounting Plate Installation" on your order form next to each piece of moulding to be preassembled.
- Finishing option is available for preassembled mouldings. See the Solid Wood Finishing Program section for pricing and finish availability.
- Add 2 days to lead-time.

Decorative Moulding Assembly Option

- The Decorative Moulding Assembly option allows customers to order select crown mouldings with accessory mouldings preassembled.
- 342, 343, 344 Crown mouldings can be combined with the 7/8" Dentil, 1" Egg & Dart and 3/4" Rope mouldings.
- 1621, 1622 and 1623 Crown mouldings can be combined with the 1-1/2" Dentil, Egg & Dart and Rope mouldings.
- Pricing is calculated by adding the cost of both eight foot moulding lengths plus an upcharge for the Decorative Moulding Assembly option.
- To order designate "Decorative Moulding Assembly" next to each piece of moulding to be preassembled.
- Finishing option is available for preassembled decorative mouldings. See the Solid Wood Finishing Program section for pricing and finish availability.
- Add 2 days to lead-time.



Kitchens

Doors

Kitchen Accessories

Hinges

Drawer Slides

Plywood Melamine

Veneer Edgebanding

Laminate

Solid Surface

Closets

Furniture Hardware

Pulls & Knobs

Lighting

Grommets

Locks, Lock Systems

Molding, Carvings

Tools

Adhesives Solvents Abrasives

Chemicals Staples Screws

Doors

Crown Moulding



Kitchens

Doors

Kitchen Accessories

Hinges

Drawer Slides

Plywood Melamine

Veneer Edgebanding

Laminate

Solid Surface

Closets

Furniture Hardware

Pulls & Knobs

Lighting

Grommets

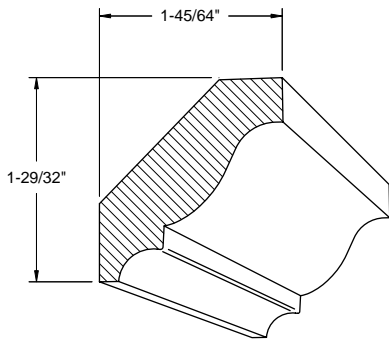
Locks, Lock Systems

Molding, Carvings

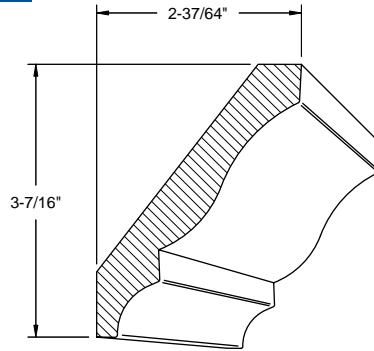
Tools

Adhesives Solvents Abrasives

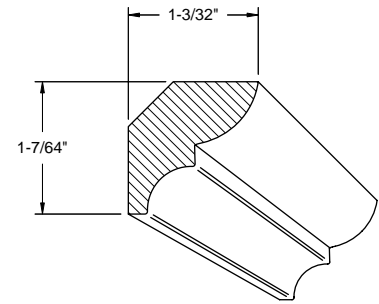
Chemicals Staples Screws



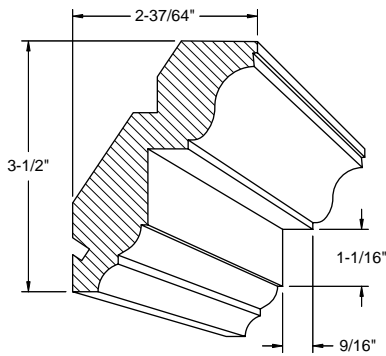
Crown 6



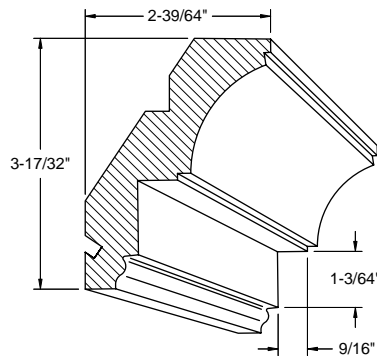
Crown 24



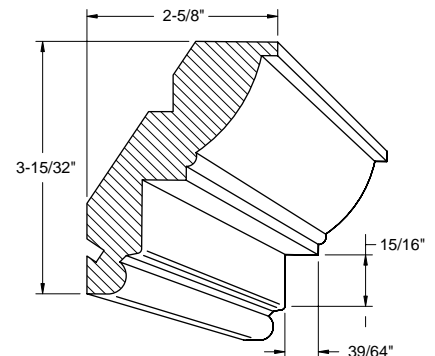
Crown 33



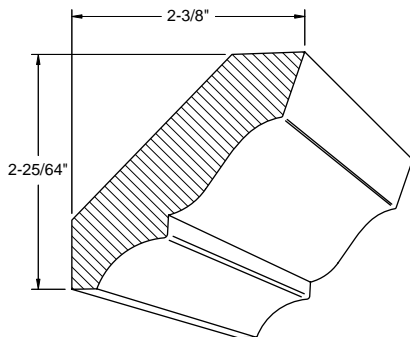
Crown 342*



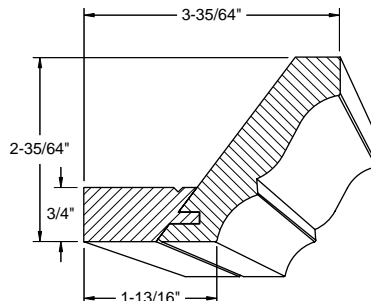
Crown 343*



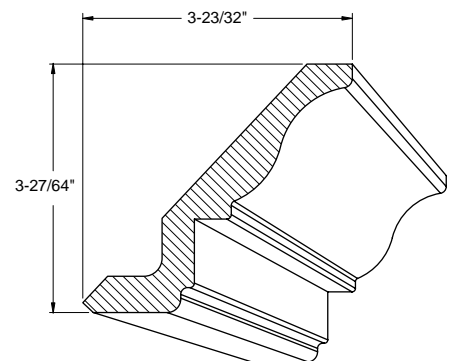
Crown 344*



Crown 619



**Crown 801
with Heel**



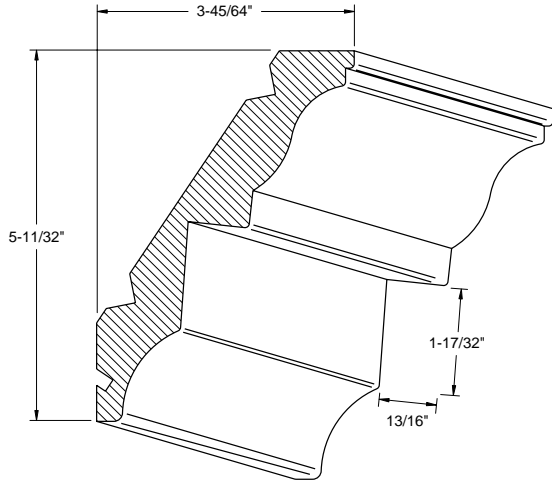
**Crown B10
True32**

* Crown mouldings 342, 343, 344 will accommodate mounting plate 384 and 3/4" Rope, 7/8" Dentil and 1" Egg & Dart.
Note: Drawings not to scale.

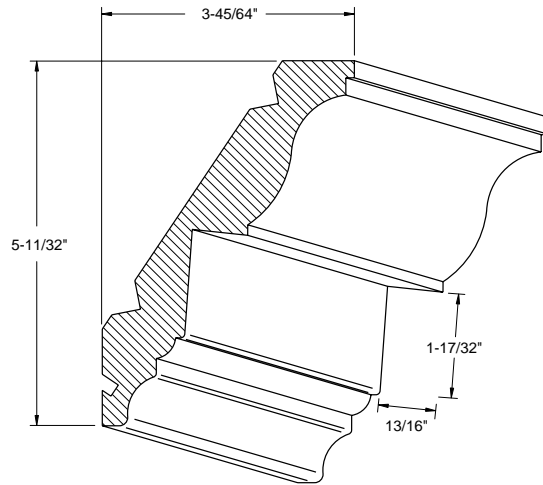
Doors



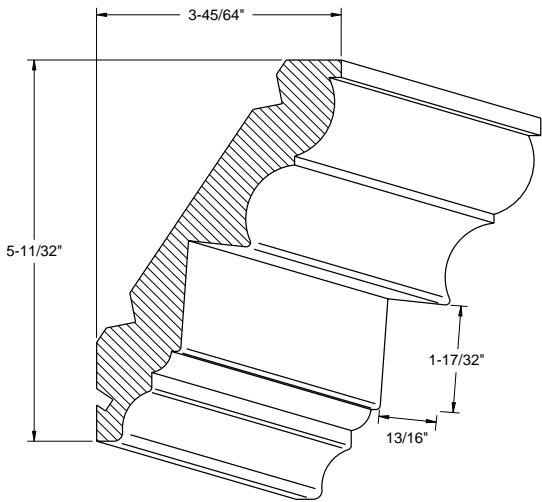
Crown Moulding



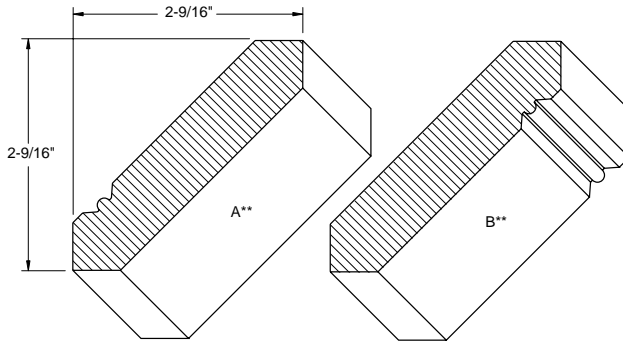
Crown 1621*



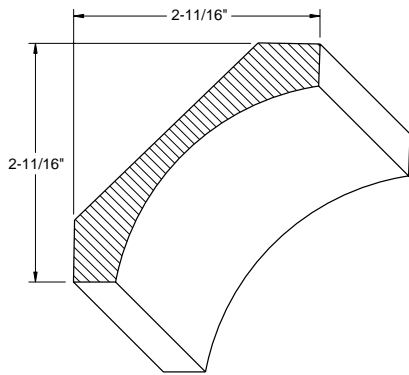
Crown 1622*



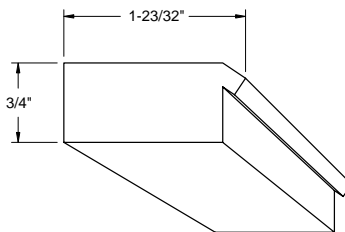
Crown 1623*



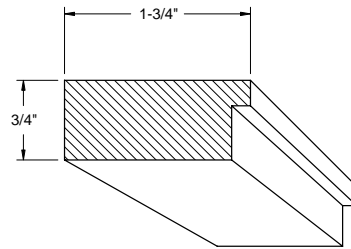
Reverse Shaker Crown 1529**



Large Cove 1524



Crown Mounting Plate 384



Frieze Mounting Plate 470

Kitchens

Doors

Kitchen Accessories

Hinges

Drawer Slides

Plywood Melamine

Veneer Edgebanding

Laminate

Solid Surface

Closets

Furniture Hardware

Pulls & Knobs

Lighting

Grommets

Locks, Lock Systems

Molding, Carvings

Tools

Adhesives Solvents Abrasives

Chemicals Staples Screws

* Crown mouldings 1621, 1622, 1623 will accommodate Mounting Plate 384 and 1-1/2" Rope, Dentil and Egg & Dart.

** When ordering dual side profile product, specify "Face side A" or "Face side B". When ordering pre-finished product, specify "Finish side A" or "Finish side B."

Note: Drawings not to scale.

Doors

Trim & Accent Moulding



Kitchens

Doors

Kitchen Accessories

Hinges

Drawer Slides

Plywood Melamine

Veneer Edgbanding

Laminate

Solid Surface

Closets

Furniture Hardware

Pulls & Knobs

Lighting

Grommets

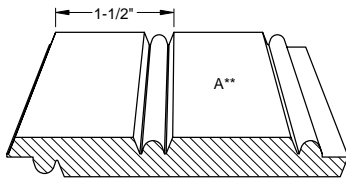
Locks, Lock Systems

Molding, Carvings

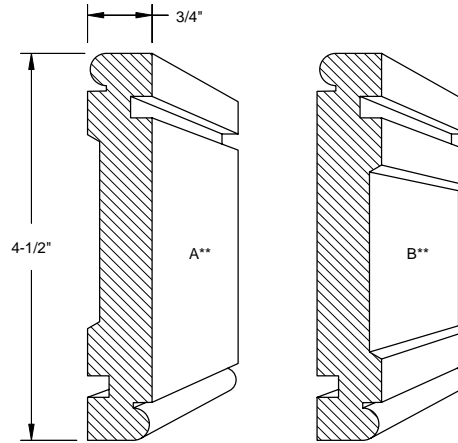
Tools

Adhesives Solvents Abrasives

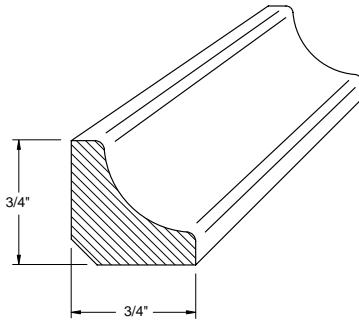
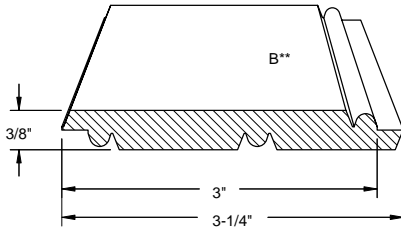
Chemicals Staples Screws



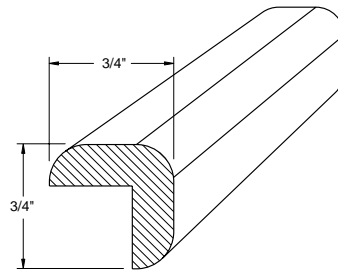
Beaded Panel B09**



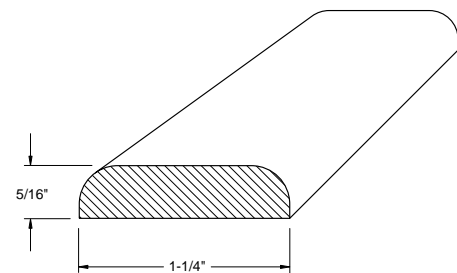
Reversible Frieze 345*



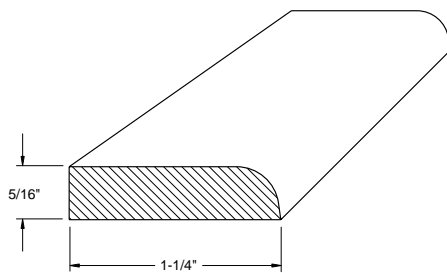
Cove 11



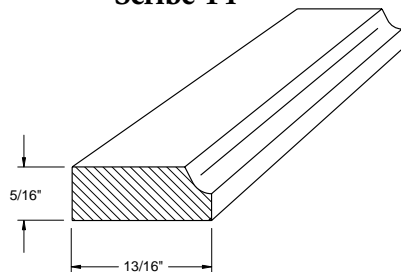
Outside Corner 12



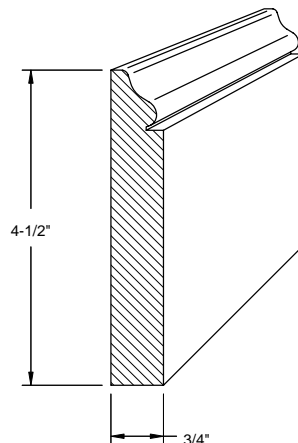
Batten 13



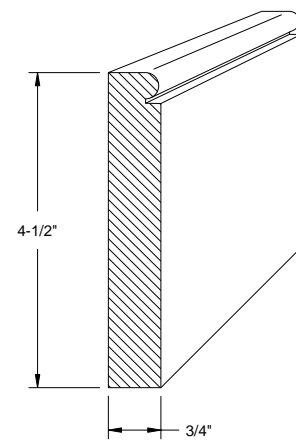
Scribe 14



Scribe 1809



Colonial Base 10



Beaded Base 381

* Reversible Frieze 345 will accommodate Mounting Plate 470.

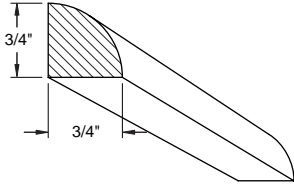
** When ordering dual side profile product, specify "Face side A" or "Face side B." When ordering pre-finished product, specify "Finish side A" or "Finish side B."

Note: Drawings not to scale.

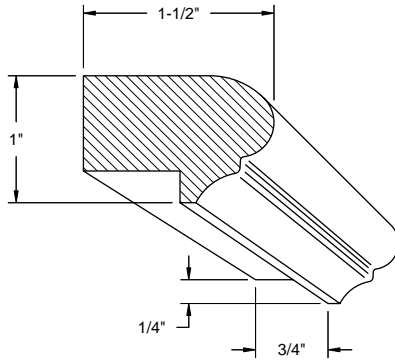
Doors



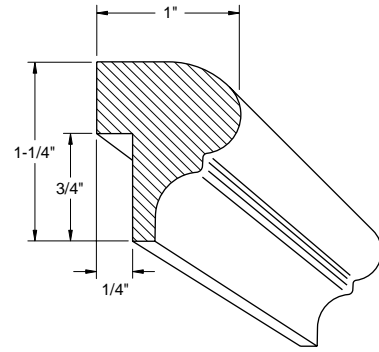
Trim & Accent Moulding



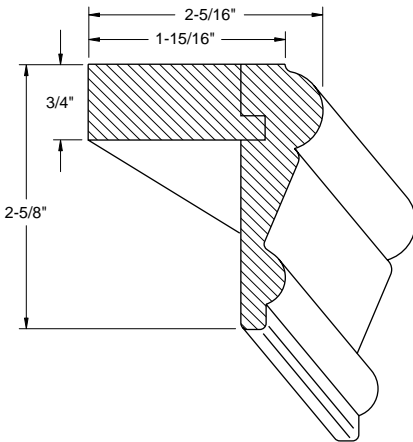
Quarter Round Moulding 1329



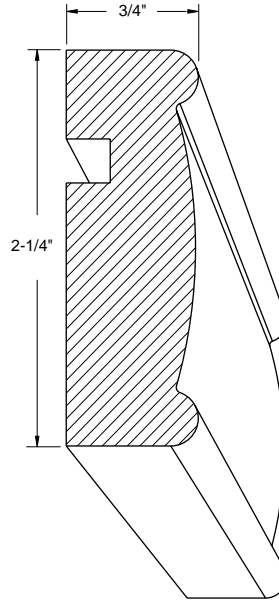
Light Rail B11



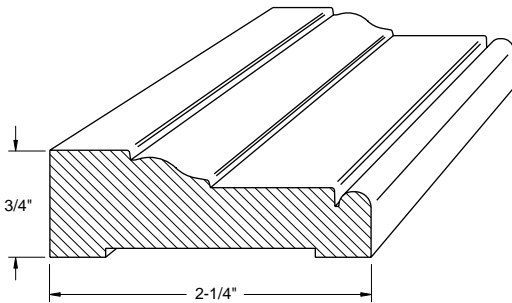
Light Rail 361



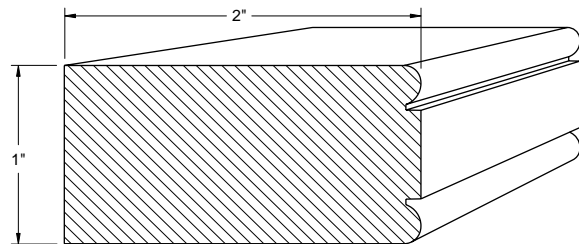
**Light Rail 1619 with Heel
True32**



Light Rail 1448*



Colonial Casing 21



Beaded Trim Moulding 1439

Kitchens

Doors

Kitchen Accessories

Hinges

Drawer Slides

Plywood Melamine

Veneer Edgebanding

Laminate

Solid Surface

Closets

Furniture Hardware

Pulls & Knobs

Lighting

Grommets

Locks, Lock Systems

Molding, Carvings

Tools

Adhesives Solvents Abrasives

Chemicals Staples Screws

* Light Rail 1448 will accommodate Mounting Plate 470.
Note: Drawings not to scale.

Trim & Accent Moulding



Kitchens

Doors

Kitchen Accessories

Hinges

Drawer Slides

Plywood Melamine

Veneer Edgebanding

Laminate

Solid Surface

Closets

Furniture Hardware

Pulls & Knobs

Lighting

Grommets

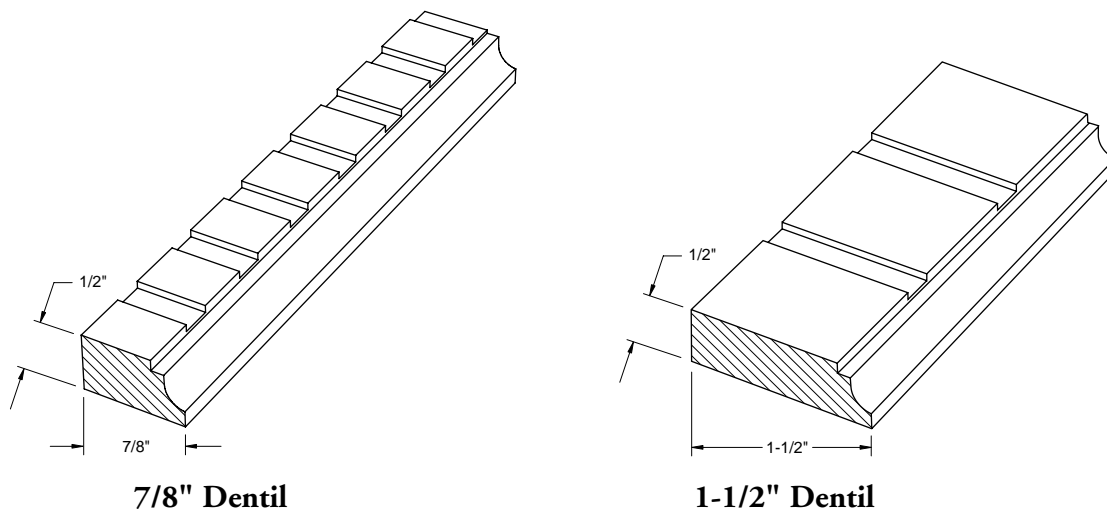
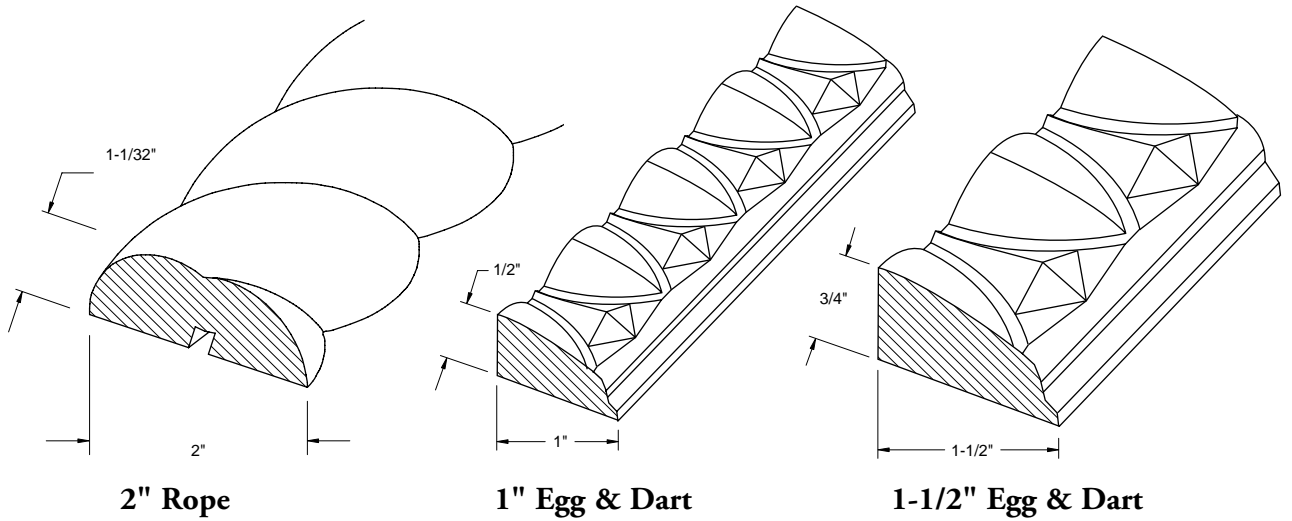
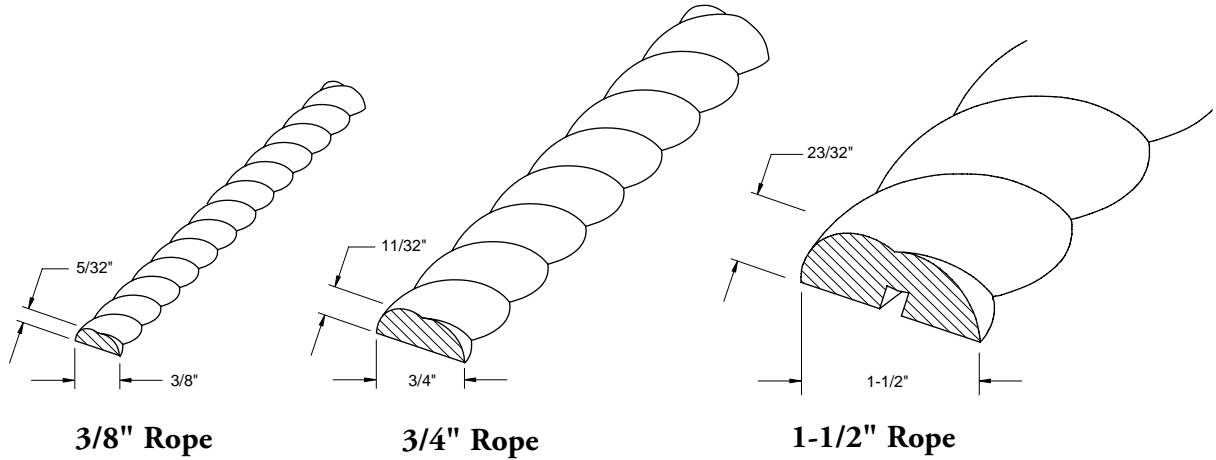
Locks, Lock Systems

Molding, Carvings

Tools

Adhesives Solvents Abrasives

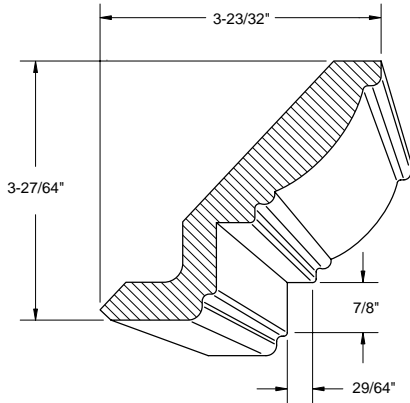
Chemicals Staples Screws



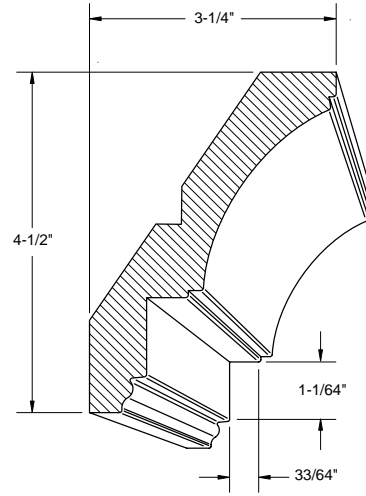
Note: Drawings not to scale.



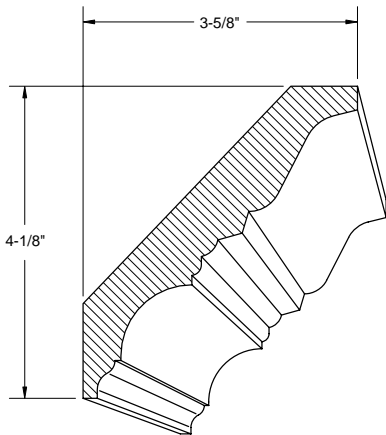
Non-Standard Moulding



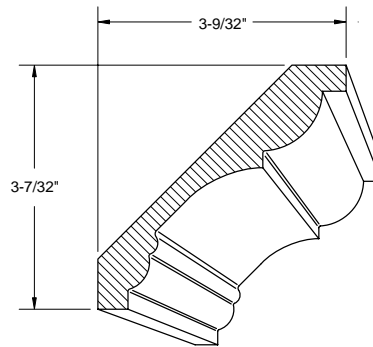
Crown 1424*



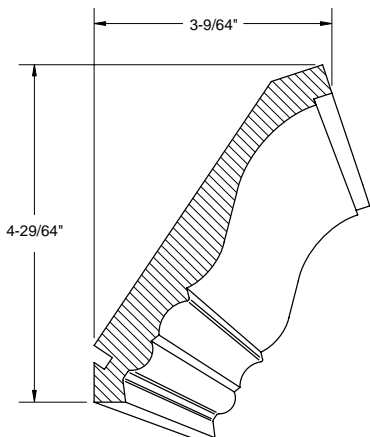
Crown 2057**



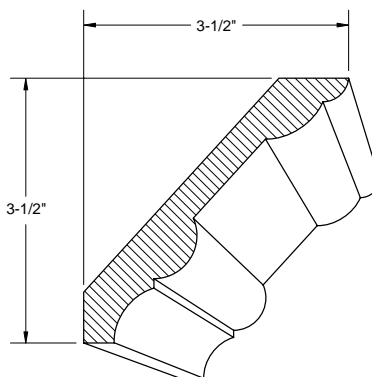
Crown 859



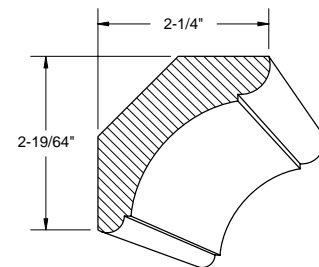
Crown 1238



Crown 1550



Crown 2047



Cove Crown 120

* Crown moulding 1424 will accommodate 3/4" Rope.

** Crown moulding 2057 will accommodate 3/4" Rope, 7/8" Dentil and 1" Egg & Dart.

All profiles are subject to a setup charge for orders less than 100 L.F. See salesman for details.

Note: Drawings not to scale.

Kitchens

Doors

Kitchen
Accessories

Hinges

Drawer
Slides

Plywood
Melamine

Veneer
Edgebanding

Laminate

Solid
Surface

Closets

Furniture
Hardware

Pulls
&
Knobs

Lighting

Grommets

Locks,
Lock
Systems

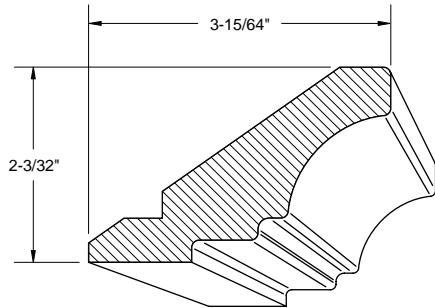
Molding,
Carvings

Tools

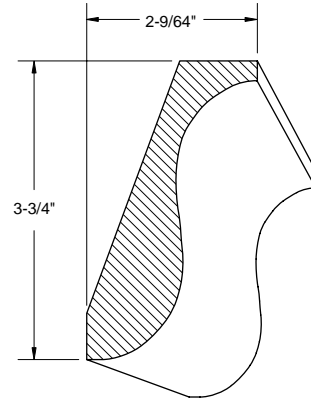
Adhesives
Solvents
Abrasives

Chemicals
Staples
Screws

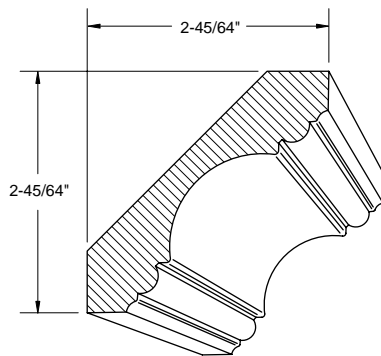
Non-Standard Moulding



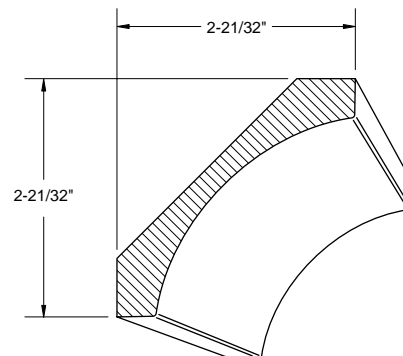
Crown 96



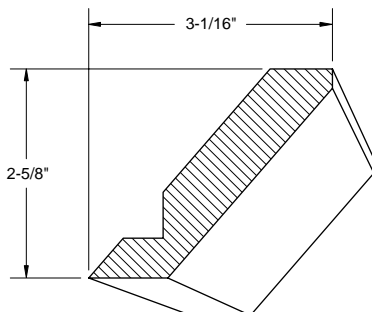
Crown 1017



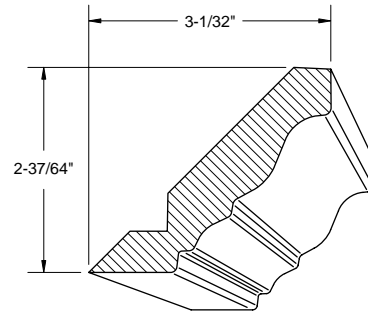
Crown 1557



Crown Cove 2048



Shaker Crown 538



Crown 1052

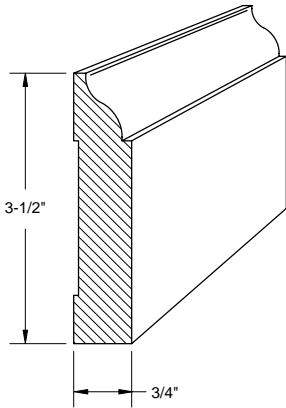
All profiles are subject to a setup charge for orders less than 100 L.F. See salesman for details.
Note: Drawings not to scale.

- Kitchens
- Doors**
- Kitchen Accessories
- Hinges
- Drawer Slides
- Plywood Melamine
- Veneer Edgebanding
- Laminate
- Solid Surface
- Closets
- Furniture Hardware
- Pulls & Knobs
- Lighting
- Grommets
- Locks, Lock Systems
- Molding, Carvings
- Tools
- Adhesives Solvents Abrasives
- Chemicals Staples Screws

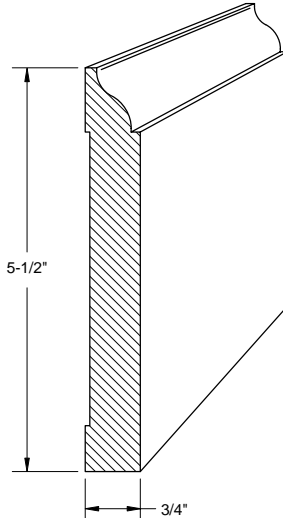
Doors



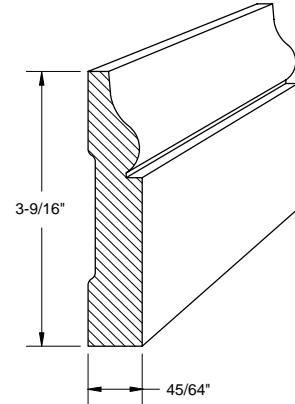
Non-Standard Moulding



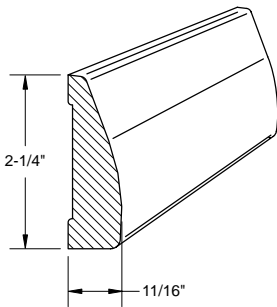
Base Moulding 897



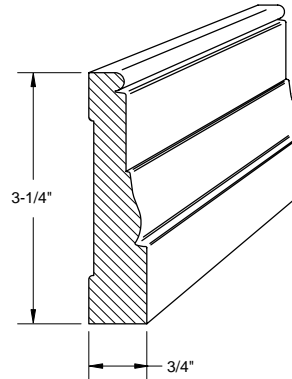
Base Moulding 898



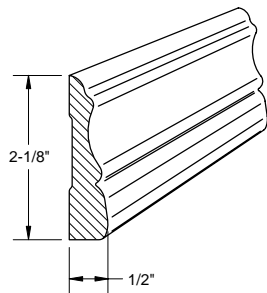
Base Moulding 2021



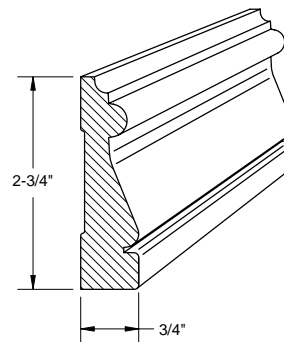
Case Moulding 9



Case Moulding 466



Case Moulding 737



Case Moulding 999

Kitchens

Doors

Kitchen Accessories

Hinges

Drawer Slides

Plywood Melamine

Veneer Edgbanding

Laminate

Solid Surface

Closets

Furniture Hardware

Pulls & Knobs

Lighting

Grommets

Locks, Lock Systems

Molding, Carvings

Tools

Adhesives Solvents Abrasives

Chemicals Staples Screws

All profiles are subject to a setup charge for orders less than 100 L.F. See salesman for details.
Note: Drawings not to scale.

Doors

Non-Standard Moulding



Kitchens

Doors

Kitchen Accessories

Hinges

Drawer Slides

Plywood Melamine

Veneer Edgebanding

Laminate

Solid Surface

Closets

Furniture Hardware

Pulls & Knobs

Lighting

Grommets

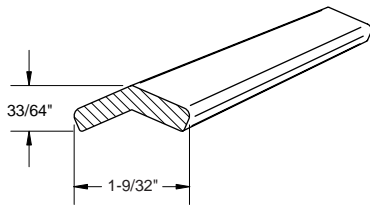
Locks, Lock Systems

Molding, Carvings

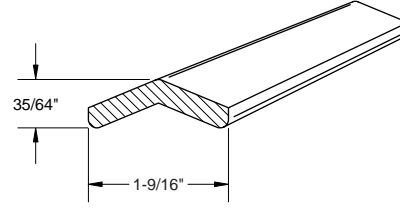
Tools

Adhesives Solvents Abrasives

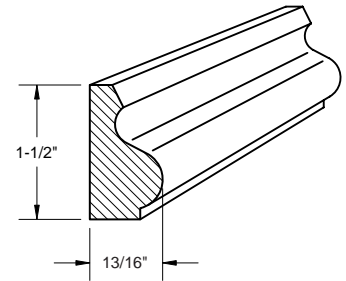
Chemicals Staples Screws



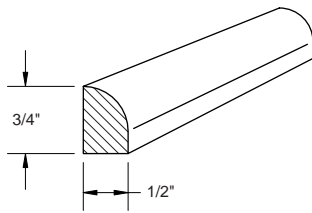
135° Outside Corner 1319



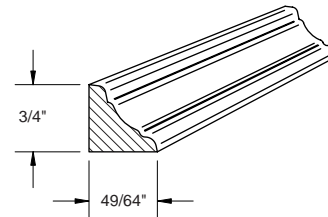
135° Outside Corner 1995



Base Cap 860



Base Shoe Moulding 583



Inside Corner 474

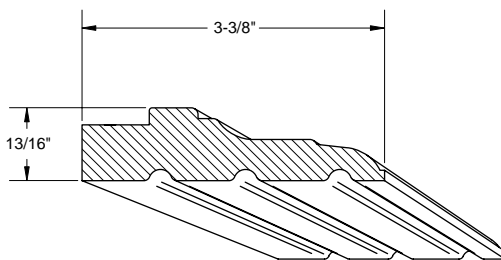
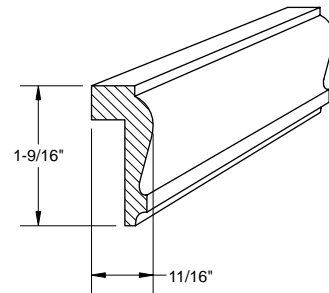
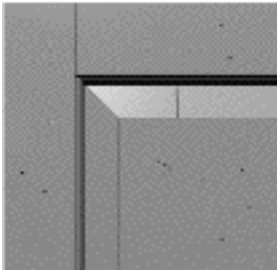


Plate Rail Moulding 596



Wainscot Cap Moulding 8

All profiles are subject to a setup charge for orders less than 100 L.F. See salesman for details.
Note: Drawings not to scale.



Rendering represents example only. Distressing is a random treatment; appearance of distressing will vary from piece to piece. A physical sample should be purchased before placing an order.

Distressing

- Level 1 – a random distribution of nicks and impressions.
- Level 2 – a random distribution of nicks and impressions, simulated wormholes, razor cuts and cut joints.
- Level 3 – a random distribution of nicks and impressions, simulated wormholes and powder beetle damage, rasp marks and cracks.
- Front frames will receive a modified distressing package.
- Add 1 day to lead-time.

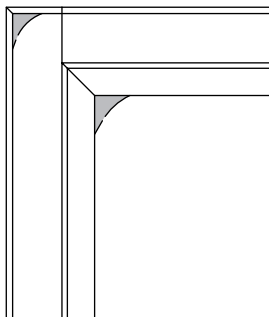
Cross Grain Sanding

- The cross grain sanding option is available on unfinished doors and drawer fronts. See radius options for radius pricing.
- Please note, even with cross grain removal, doors are not finish-room ready. To prepare for finishing, we recommend a light hand sanding in addition to cross grain removal.
- This option is automatically included at no charge on prefinished products. Prices below are per panel for unfinished doors, wainscoting and appliance panels, and per piece for other unfinished products such as drawer fronts and valances.

- No additional lead-time required.

Antiquing

- Antiquing is a random post-stain sanding of exposed corners and edges. Provides a complementary worn look to our distressing.
- To achieve a heavier level antiquing, combine this option with the wear sanding option also found in this section.
- Antiquing is not available on front frames.
- No additional lead-time required.



Wear Sanding

- The wear sanding option provides an aged appearance to unfinished doors and drawer fronts. On raised panel designs, sanding is applied to the corners of the panel and the outside corners of the framing. Flat panel, mullions and frame only designs will receive sanding on the outside corners of the frame. Sanding will be random and each corner will vary in appearance. Wear sanding is available with all published panel raises and edge profiles.
- Wear sanding is not available on front frames.

Options

Kitchens

Doors

Kitchen
Accessories

Hinges

Drawer
Slides

Plywood
Melamine

Veneer
Edgebanding

Laminate

Solid
Surface

Closets

Furniture
Hardware

Pulls
&
Knobs

Lighting

Grommets

Locks,
Lock
Systems

Molding,
Carvings

Tools

Adhesives
Solvents
Abrasives

Chemicals
Staples
Screws

Panel Groove

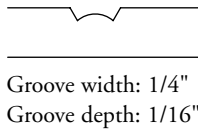
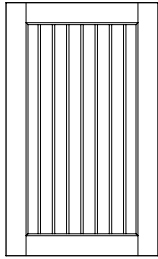


Kitchens

Doors

Kitchen Accessories

Hinges



G-012 Panel Groove

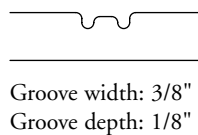
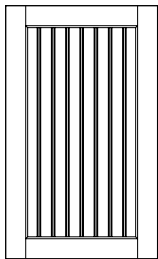
- 1-1/2" spacing from center of groove to center of groove standard. Groove pattern begins from center of panel.
- Custom spacing available.
- No additional lead-time required.

Drawer Slides

Plywood Melamine

Veneer Edgebanding

Laminate



G-056 Panel Groove

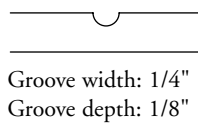
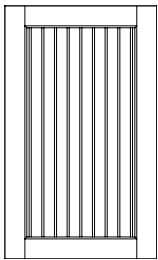
- 1-1/2" spacing from center of groove to center of groove standard. Groove pattern begins from center of panel.
- Custom spacing available.
- No additional lead-time required.

Solid Surface

Closets

Furniture Hardware

Pulls & Knobs



G-121 Panel Groove

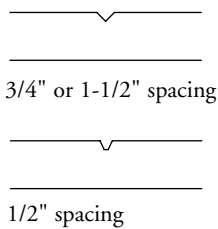
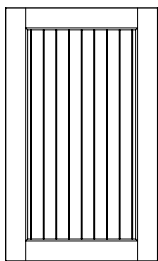
- 1-1/2" spacing from center of groove to center of groove standard. Groove pattern begins from center of panel.
- Not available with 1/4" panels.
- Custom spacing available.
- No additional lead-time required.

Lighting

Grommets

Locks, Lock Systems

Molding, Carvings



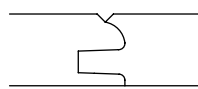
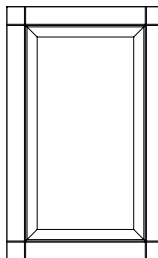
G-015 Panel Groove

- 1/2", 3/4" or 1-1/2" spacing.
- 1/2" spacing base of groove is flat.
- No additional lead-time required.

Tools

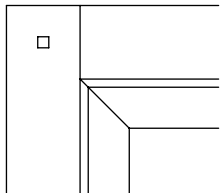
Adhesives Solvents Abrasives

Chemicals Staples Screws



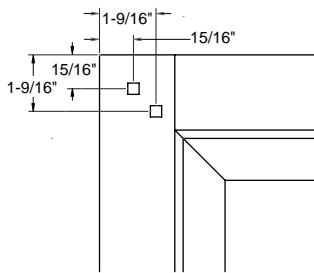
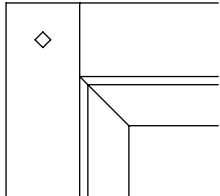
Camelot Rout

- Routs are machined on stiles and rails. A stile only option is available and must be specified when ordering.
- On designs with cathedral top or bottom rails, rout is available on stiles only.
- Cannot be used with applied moulding, CRP-10751MT, CRP-1389MT, Madison, miter designs or Presidential series.
- Add 1 day to lead-time.



5/16" Square and Diamond Pegs

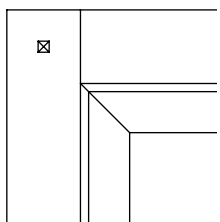
- For regular, ogee and square framing beads, pegs will be centered on stile one half of the total width of the stile and in from exterior edge one half of the total width of the rail.
- For elite framing bead, must submit sketch.
- Peg will be sanded flush with face of framing.
- Available in all published species.
- Add 1 day to lead-time.



Peg placement for doors with 2-5/16" framing

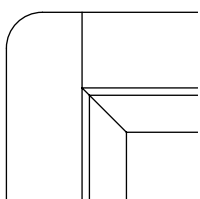
5/16" Diagonal Pegs

- See drawing for peg placement for doors with 2-5/16" framing.
- For doors utilizing framing other than 2-5/16" - center of the outer peg will be mounted diagonally 1/3 the distance from the exterior corner. The center of the lower peg will be mounted diagonally 2/3 the distance from the exterior corner.
- For elite framing bead, must submit sketch.
- Multi-panel doors will receive only one peg at each interior joint.
- Available in all published species.
- Add 1 day to lead-time.



5/16" Pyramid Pegs

- Pyramid pegs will ship loose and doors will be drilled to accept pegs.
- Pyramid pegs will be centered on stiles one half of the total width of holes for stile and in from exterior edge one half of the total width of the rail.
- For two pegs per corner, order as diagonal pyramid pegs.
- Multi-panel doors will be drilled for one peg at each interior joint if requested.
- Available in all published species.
- Add 1 day to lead-time.



Radius Corners

- Specify 1/8", 1/4", 1/2" or 1" radius.
- Available with B-2, C-2, H-2, L-059, L-149, L-281, L-772, LC-2, Machine Edge, PRS-2 and V-2 edge profiles only.
- Add 1 day to lead-time.

Kitchens

Doors

Kitchen Accessories

Hinges

Drawer Slides

Plywood Melamine

Veneer Edgbanding

Laminate

Solid Surface

Closets

Furniture Hardware

Pulls & Knobs

Lighting

Grommets

Locks, Lock Systems

Molding, Carvings

Tools

Adhesives Solvents Abrasives

Chemicals Staples Screws

Doors

A TOUCH OF

Thermo
VISION

DISTRIBUTED BY CREATION DIMENSION

Charm & Refinement

New vintage polyester 5 piece construction

U-7000



U-7700



U-7500



U-7600



U-7100



U-7200

Available mouldings

$2\frac{7}{8}'' \times 7/8''$ U-1000

$2\frac{1}{4}'' \times 7/8''$ U-2000

$2\frac{1}{4}'' \times 3/4''$ $1/4''$ U-3000

$2\frac{1}{2}'' \times 7/8''$ U-7000

Penciled:

This application defines the lines and the details of the door.

Models: U-7000, U-7100, U-7200, U-7500, U-7600, U-7700

Finishes available: L804, L458, L807, L444, L459, L521, L420, L805, P204, P810, P207, P313, P290, P745, P744, P765, P263, P205

The finishes L457, L475, L473, L472, L471, L421, P262 are available only for models U-7000, U-7100, U-7200

Note : When ordering please indicate the finish by name (refer to catalogue p. 16)

Kitchens

Doors

Kitchen Accessories

Hinges

Drawer Slides

Plywood Melamine

Veneer Edgebanding

Laminate

Solid Surface

Closets

Furniture Hardware

Pulls & Knobs

Lighting

Grommets

Locks, Lock Systems

Molding, Carvings

Tools

Adhesives Solvents Abrasives

Chemicals Staples Screws

Doors

UNBEATABLE
Commodity products



Euro



Sunrise



Verona



Manhattan



Scandinavian



Arched



Cathedral



Arched



Cathedral

Kitchens

Doors

Kitchen
Accessories

Hinges

Drawer
Slides

Plywood
Melamine

Veneer
Edgebanding

Laminate

Solid
Surface

Closets

Furniture
Hardware

Pulls
&
Knobs

Lighting

Grommets

Locks,
Lock
Systems

Molding,
Carvings

Tools

Adhesives
Solvents
Abrasives

Chemicals
Staples
Screws



Thermo
V I S I O N

DISTRIBUTED BY CREATION DIMENSION

Doors

8000 SERIES

Elegance & distinction

Kitchens

Doors

5 piece construction — MELAMINE CENTER

U-8000



U-8100



U-8200



Chocolate pear tree



Chocolate pear tree



Chocolate pear tree

Kitchen Accessories

Hinges

Drawer Slides

Plywood Melamine

Veneer Edgebanding

Laminate

Solid Surface

Closets

Furniture Hardware

Pulls & Knobs

Lighting

Grommets

Locks, Lock Systems

Molding, Carvings

Tools

Adhesives Solvents Abrasives

Chemicals Staples Screws

5 piece construction — POLYMER CENTER

U-8150



U-8250



U-8000 A mullion



Chocolate pear tree



Chocolate pear tree

Chocolate pear tree

THERMOVISION
POLYESTER AND POLYMER DOORS

Doors

Classic elegance



Kitchens

Doors

Kitchen
Accessories

Hinges

Drawer
Slides

Plywood
Melamine

Veneer
Edgebanding

Laminate

Solid
Surface

Closets

Furniture
Hardware

Pulls
&
Knobs

Lighting

Grommets

Locks,
Lock
Systems

Molding,
Carvings

Tools

Adhesives
Solvents
Abrasives

Chemicals
Staples
Screws

Riviera



Caramel maple

Monaco



Truffle

Monte Carlo



Moka cherry

Riviera mullion



Caramel maple

Monaco mullion



Truffle

Monte Carlo mullion



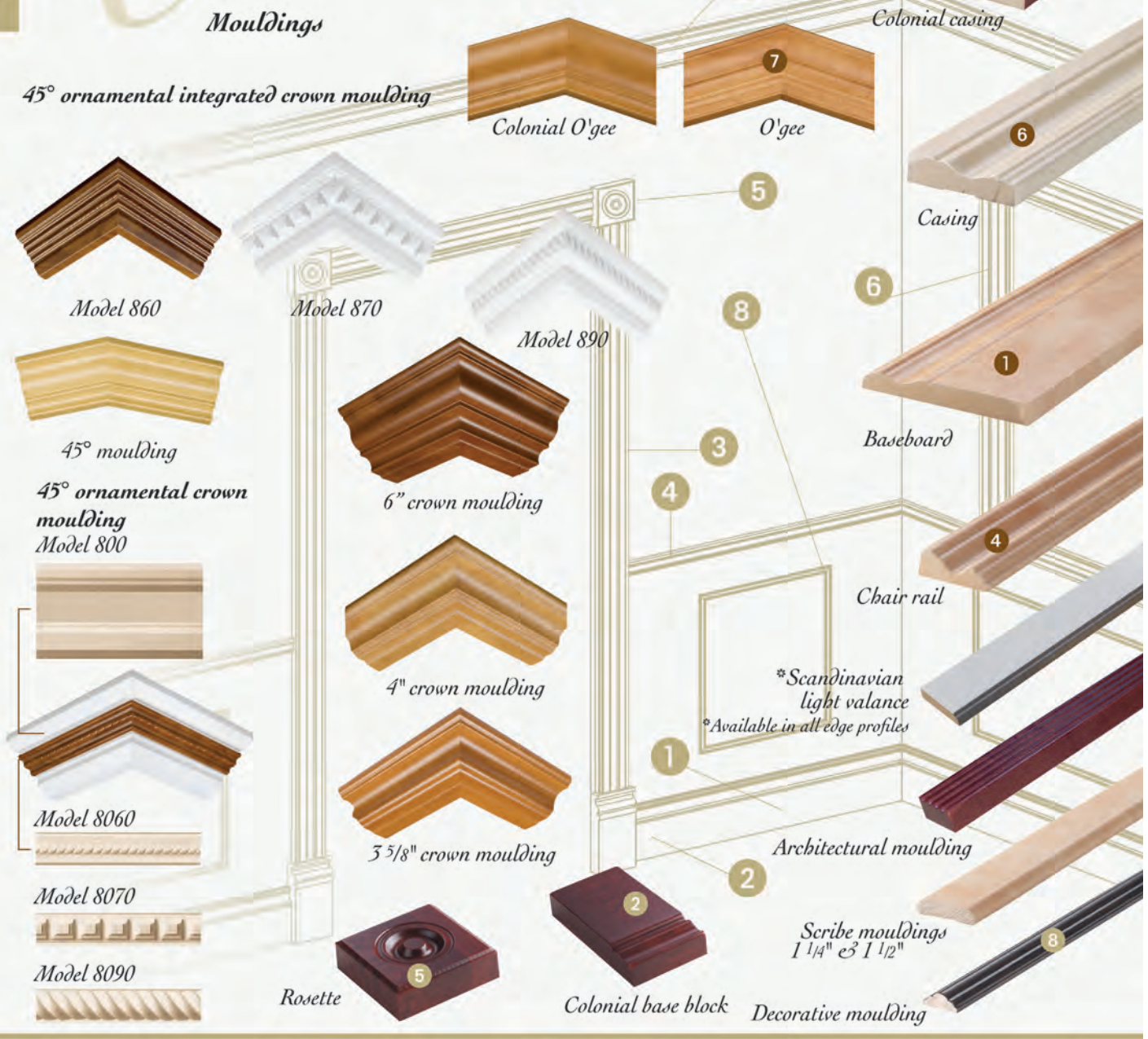
Moka cherry

Doors

THERMOVISION
POLYESTER AND POLYMER DOORS

Accessories

- Kitchens
- Doors**
- Kitchen Accessories
- Hinges
- Drawer Slides
- Plywood Melamine
- Veneer Edgebanding
- Laminate
- Solid Surface
- Closets
- Furniture Hardware
- Pulls & Knobs
- Lighting
- Grommets
- Locks, Lock Systems
- Molding, Carvings
- Tools



Mouldings	Standard width	Standard length
45° ornamental crown moulding	3"	96"
Ornamental mouldings 8060	1"	96"
Ornamental mouldings 8070	7/8"	96"
Ornamental mouldings 8090	1 1/16"	96"
6" crown moulding	6"	96"
4" crown moulding	4"	96"
3 5/8" crown moulding	3 5/8"	96"
Chair rail	1 5/8"	96"
Light valance (thickness 11/16")	3"	96"

3 7/8" crown moulding, scandinavian light valance and O'gee moulding are available in polyester (108" long)

Models	Standard width	Standard length
Colonial O'gee	4 1/4"	96"
O'gee	4 7/16"	96"
45° moulding	2 3/4"	96"
Scribe moulding 1 1/4"	1 1/4"	96"
Scribe moulding 1 1/2"	1 1/2"	96"
Decorative moulding	3/4"	96"
Architectural moulding	1 25/64"	96"
Colonial base block	3 1/2"	6 1/2"
Rosette	3 1/2"	3 1/2"
Colonial casing	3 1/8"	96"
Casing	2 3/4"	96"
Baseboard	5"	96"

THERMOVISION
POLYESTER AND POLYMER DOORS

Accessories

DISTINCTIVE HARMONIES!

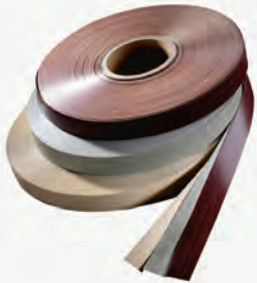
Thermofoil sheet



Heat deflector



PVC edge banding

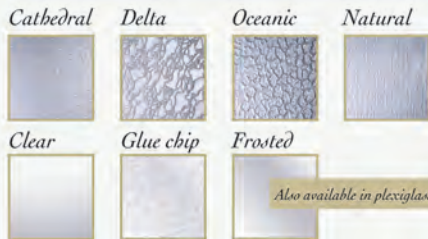


Decorative tambour



4 half-circles

Assembled glass only



Glass thickness 3 mm

Also available in plexiglass

Laminate sheet



Exclusive distributor in U.S.A.

Thermofoil panel



Valances



Romance model



Noblesse model



Sculptura model

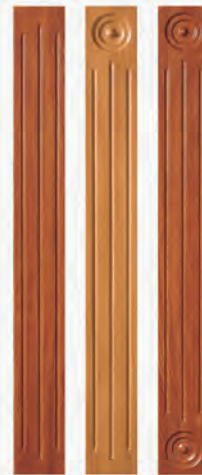


Baroque model



Rustic model

Colonial mouldings



1081 3 lines
1082 3 lines e3 1 rosette
1085 3 lines e3 2 rosettes

Wine racks

Circles

4 circles



8 circles



Lites

8 lites



3 lites



11 small lites



Models	Standard width	Standard height
Heat deflector	5/8" or 3/4"	96"
Decorative tambour	24" or 48"	24"
Laminate sheet (thickness 1/32")	48" or 60"	96"
PVC edge banding	7/8"	300" or 600"
Thermofoil sheet	48" to 57"	110"
Appliance panel	Refer to technical information	
Thermofoil panel	48" x 96" x 5/8"	

You will find, on your order confirmation, the sizes of glass to be ordered, except those of non standard mullions

For further information, see section «technical information»

End panel - 1 edge profiled custom size

Models	Minimum width	Minimum height	Maximum width	Maximum height
Colonial mouldings (1081,1082,1085)	2 1/2"	8"	15"	96"
Valances				
Romance, Rustic	24"	4 1/2"	48"	96"
Noblesse	30"	6"	48"	96"
Baroque	22"	4 1/2"	48"	96"
Wine racks				
4 circles	9"	24"	48"	96"
8 circles	14 3/8"	24"	48"	96"
4 half-circles	4 1/2"	24"	48"	96"
3 lites	12 3/16"	30"	48"	96"
8 lites	21" ou 24"	30"	48"	96"
11 lites	11 15/16"	30"	48"	96"

Unless otherwise specified, we will produce as many circles or lites as dimensions permit

Kitchens

Doors

Kitchen Accessories

Hinges

Drawer Slides

Plywood Melamine

Veneer Edgebanding

Laminate

Solid Surface

Closets

Furniture Hardware

Pulls & Knobs

Lighting

Grommets

Locks, Lock Systems

Molding, Carvings

Tools

Adhesives Solvents Abrasives

Chemicals Staples Screws